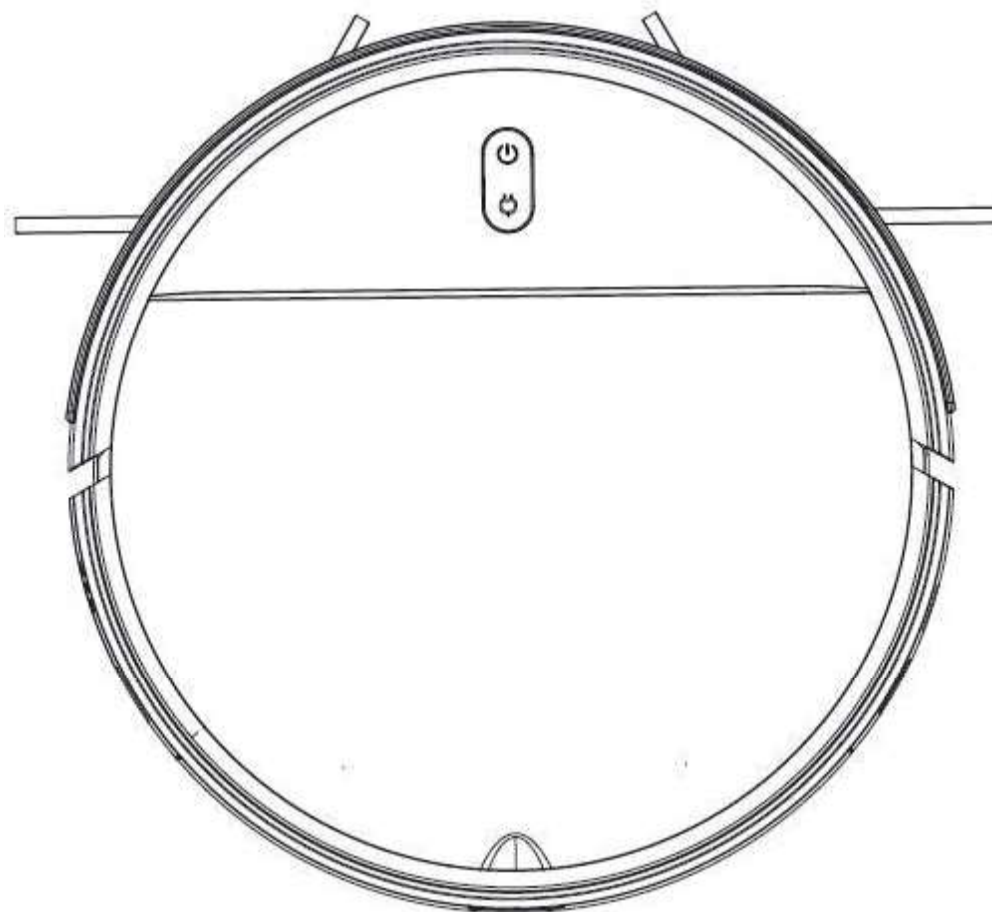


Robot Vacuum Cleaner Instruction Manual

Model: RVC-110



www.denver.eu

[facebook.com/Denver.eu](https://www.facebook.com/Denver.eu)

Safety instruction

Please read the safety instructions carefully before using the product for the first time and keep the instructions for future reference.

1. Keep the product out of the reach of children and pets to avoid chewing and swallowing.
2. Warning: This product includes lithium-ION battery
3. Never open the product. Only qualified personal can disassemble this product. Users are not recommended to make service or repairs
4. Only charge with supplied charger. Do not use non original accessories together with the product this can make the product functionality abnormal
5. Do not touch wires sockets or body parts when the product is in cleaning mode
6. Do not sit on the product
7. Before using this product, please remove all venerable items such as lamps, glass items, curtains and other obstacle that may entangle the brushes or air suction passage.
8. Do not bend wires or place heavy objects on the machine
9. This product is a household product. The use of the product is intended for indoor and dry conditions. Do not use it outdoor.
10. Do not use this product in wet environments such as the bathroom
11. To prevent accidents please inform others in the household when the products is cleaning
12. Please empty the dust box before using. A full dust box will affect cleaning efficiency and lower the suction ability
13. Product operating and storage temperature is from 0 degrees Celsius to 40 degrees Celsius. Environments under and above this temperature might affect functionality
14. Do only use the original rechargeable battery and charging seat provided from the supplier. Non-rechargeable batteries are strictly prohibited, please refer to “product parameters” for battery specification.
15. Do not use the product in environments with open flames or fragile products
16. It's forbidden to use the products in extremely hot (above 40 degrees) or extremely cold (below 0 degrees) temperatures. Warranty do not cover damages caused by this.
17. Do not touch the products when turned on and cleaning. Keep hair, clothes, fingers and other body parts away from the opening of the products
18. The product is unable to absolve any stone or paper waste as this may clog the product
19. The product can't absorb any burning articles such as cigarettes, matches, ashes and etc. which may cause fire
20. Make sure to keep the product away from any inflammable substances such as printer and photocopy toner and other burning liquids
21. Do not place articles in the suction opening. Do not use the product when the suction port is blocked. Clean up dust, cotton wool hair etc. at the suction opening to ensure smooth air circulation at the opening
22. Use power cord carefully to avoid damage. Do not pull, drag or use the power cord as handle when moving the charging seat.
23. Do not position the power cord in door openings or other places where it can cause damage. Ensure that there is free space around the power cord and charging seat.
24. Do not use damaged charging seat or power cord
25. Warning: This remote control contains AAA batteries. Use only AAA batteries in the remote control.
26. Never use old and new batteries or different types of batteries together. Remove the batteries when you are not using the product for a longer period of times. Check the polarity (+/-) of the batteries when inserting them in the product. Wrong positioning can cause an explosion. Batteries are not included.

27. The power station adaptor is used as disconnect device, the disconnect device shall remain readily operable. So, make sure there is space around the power outlet for easy access.

Product Composition – Package Contents



1x Robot Vacuum



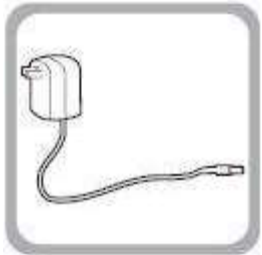
1x Charging Dock



2x Battery



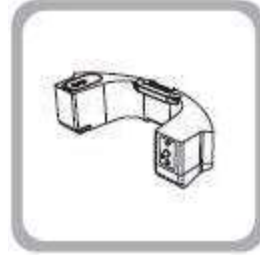
1x Remote Control



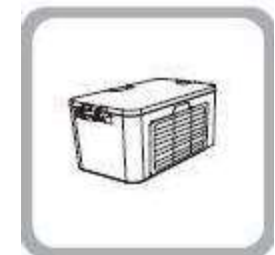
1x Adapter



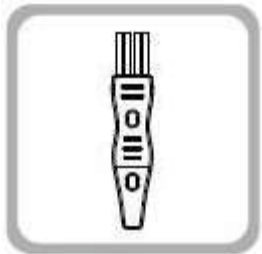
1x Mopping Holder Assembly



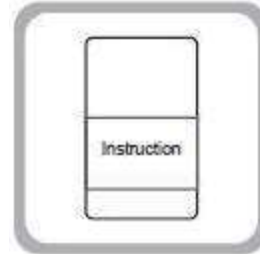
1x Water Tank



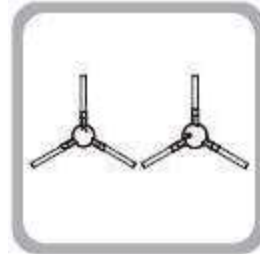
1x Dustbin



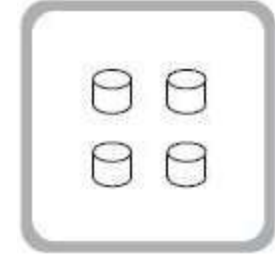
1x Cleaning Brush



1x Instruction Manual



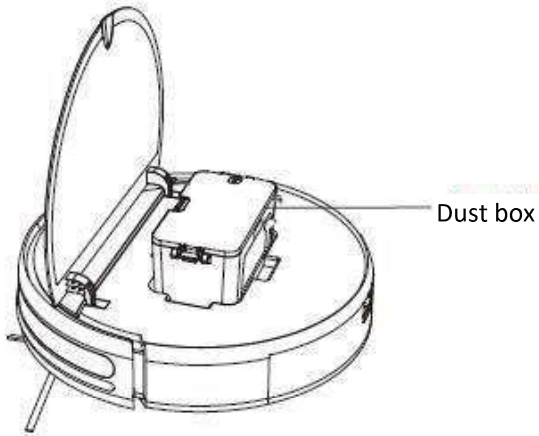
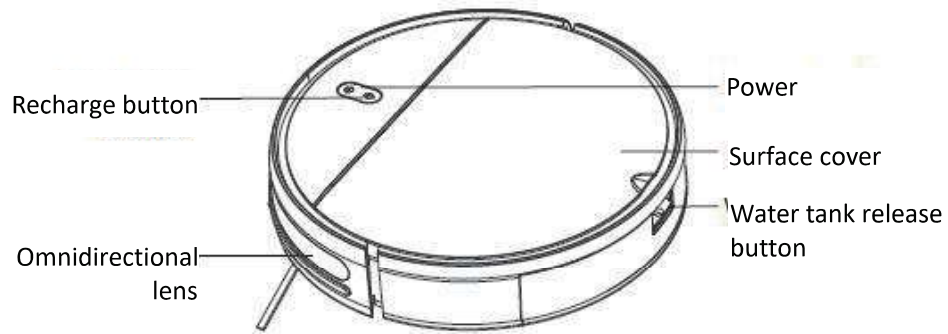
2x Side Brush



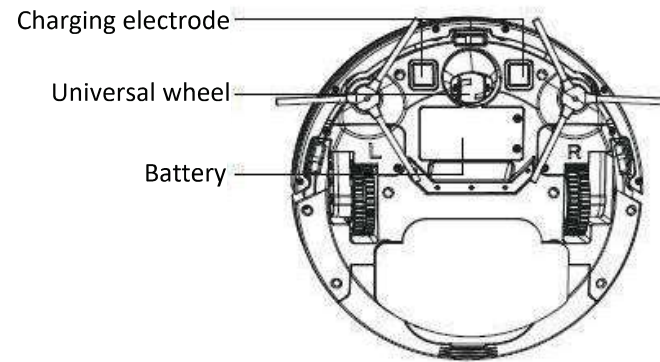
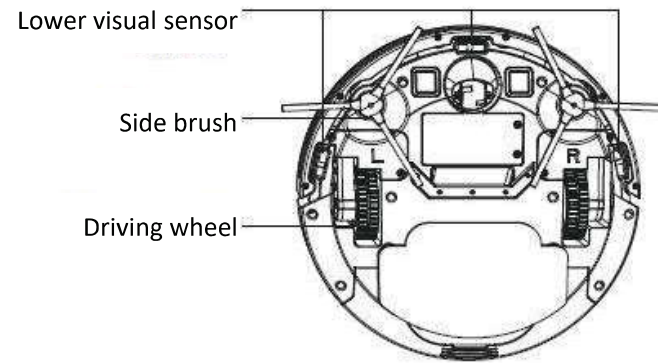
4x Cotton Filter

Product Composition – Parts Description

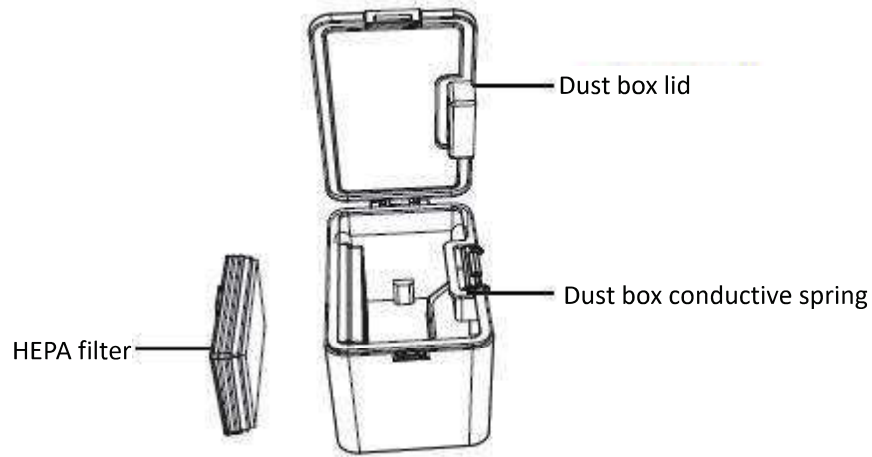
Front of the main unit



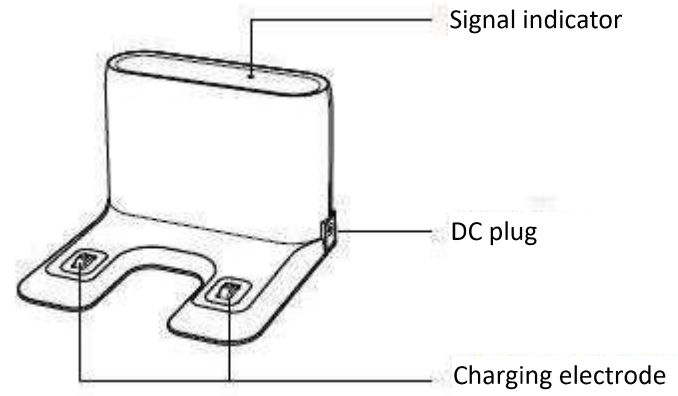
Rear of the main unit



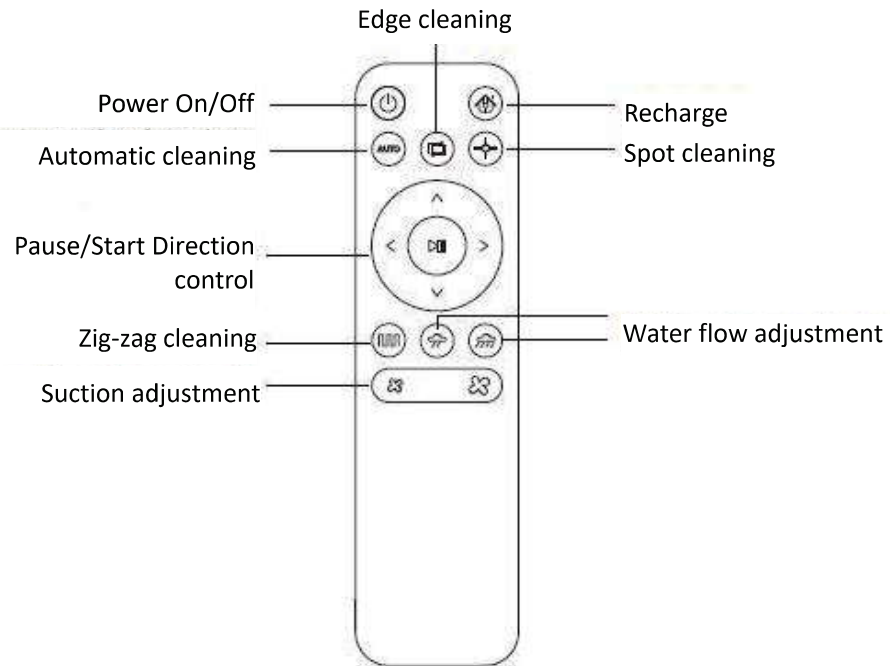
Dust box



Charging dock



Remote control

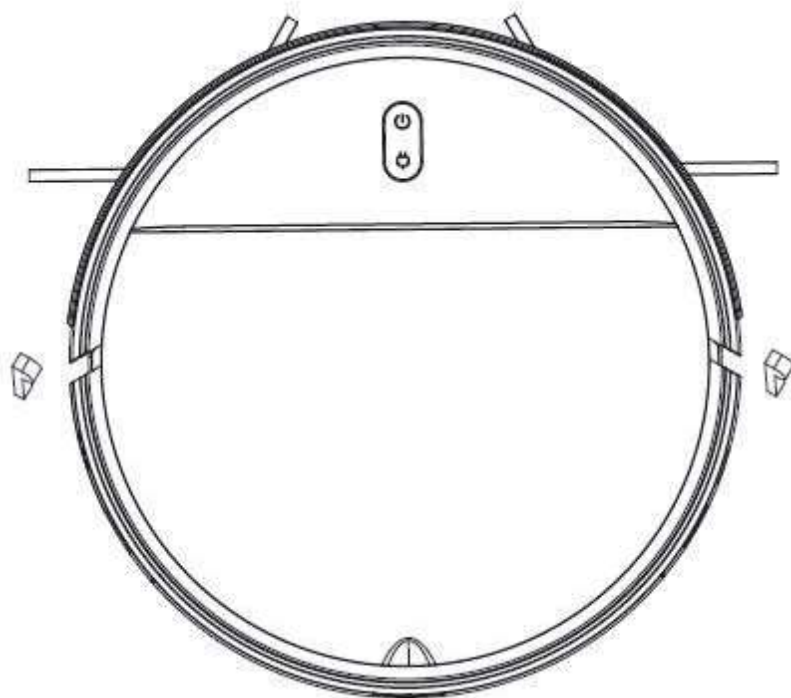


Preparations

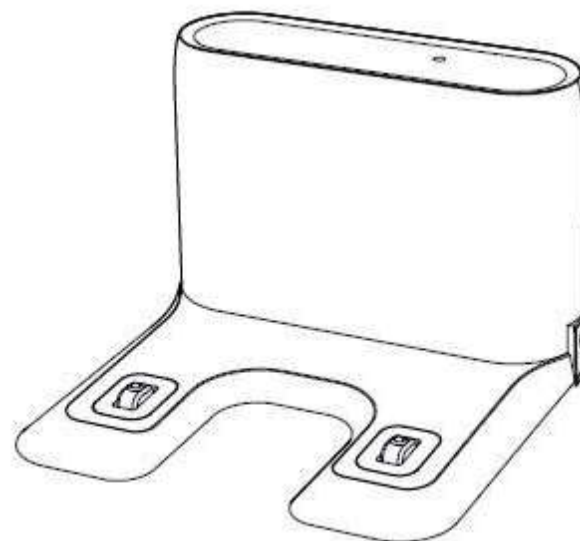
Removing protective strips

Before using the cleaner, remove protective strips from the cleaner.

Removing protective strips

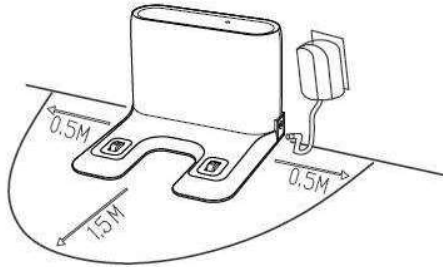


Removing protective film

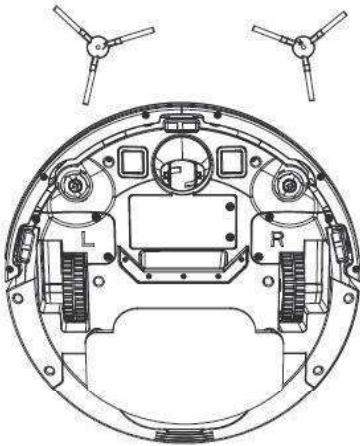


Product Usage – Charge the Robot Vacuum Cleaner

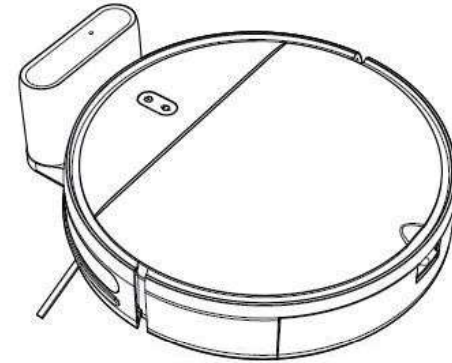
1. Place the charging dock on the flat ground against the wall. Do not place any articles 0.5 m on the left and right of the charging dock or 1.5 m in front of the charging dock.



2. Connect the charging dock to the power supply.
3. Install the left and right side brushes.




4. Charging: Place the main unit on the charging dock to charge the main unit. During charging, the indicator blinks. When charging is complete, the indicator is steady on. It takes about five hours to fully charge the main unit.



During cleaning, the main unit automatically checks its power level.

If the power is insufficient, the main unit activates the mode of returning to the charging dock and automatically returns to the charging dock for charging.

Alternatively, you can press the button  on the remote control to instruct the main unit to activate the mode of returning to the charging dock.

Caution:

1. Do not use the charging dock in reflective environments such as the environment exposed to direct sunlight and environment with mirrors nearby. If there are reflective objects, cover the charging dock at a height of 7 cm from the bottom.
2. To ensure the normal working duration of the main unit, fully charge the main unit before use. The charging time is about five hours.
3. To ensure the safety of charging and prevent a damp cloth from damaging the floor, remove the water tank before charging the main unit.

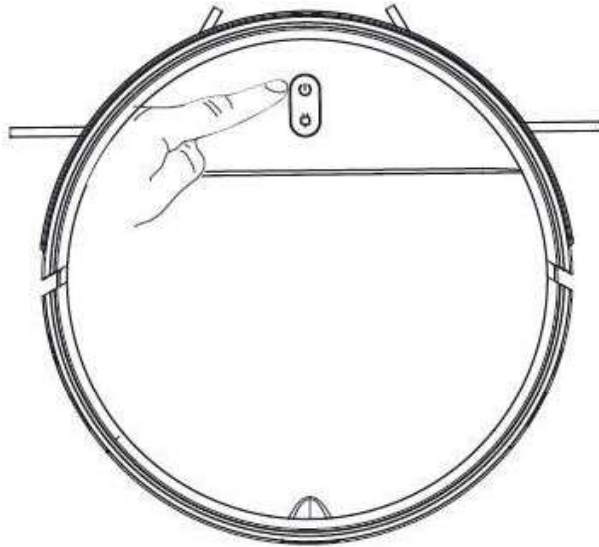
Product Usage – Start Cleaning

For different cleaning requirements, this product provides multiple cleaning modes for you to choose. You can use different cleaning modes through the main unit or remote control.

The robot vacuum cleaner is not built to force and overcome thresholds and doorsteps.


Automatic Cleaning

Setting method: In the power-off state, press and hold the power button. After the indicator of the main unit is on, indicating that the main unit is powered on, press the power button again to enable automatic cleaning.




Spot Cleaning

Applicable scenario: The cleaning mode is applicable to the ground environment where rubbish is concentrated. The main unit cleans the ground in a spiral path in the specified area and returns to the original point after cleaning.

Setting method: Press the key  on the remote control to enable fixed-point cleaning.


Edge Cleaning

Applicable scenario: The cleaning mode is applicable to indoor corners. The main unit cleans the ground along edges of fixed objects (for example, wall) and returns to the charging dock after cleaning.


Setting method: Press the key  on the remote control to enable cleaning along the edge.

Manual Control

Applicable scenario: Control the cleaning route and area by using the directional buttons on the remote control.

Setting method: Press the key  on the remote control to control the product in moving forward, moving backward, or making a turn.

Product Usage – Pause, Wake-up and Shutdown

Pause: When the main unit is working, press the power button on the main unit or press the pause key  on the remote control to suspend the main unit.

Wake-up: After the main unit is suspended for more than 10 minutes, the main unit activates the sleep mode (the indicator of the main unit is off). Press the power button on the main unit to wake up the main unit or press the power key on the remote control to restart the main unit.

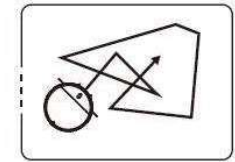
Power-off: After the main unit is suspended, press and hold the power button on the main unit. If indicator of the main unit is off, the product is powered off.

* After the main unit completes operation, you are advised not to shut down the main unit. Keep the main unit in the charging status so that it can work better in the next operation.

Cleaning Modes

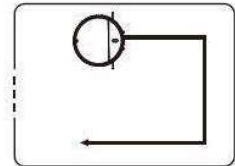
1. Automatic Cleaning

Robot does random cleaning for 90 minutes, and after the cleaning ends, will automatically return to the charging dock for recharging.



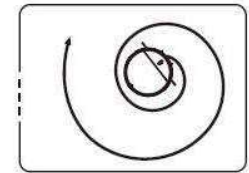
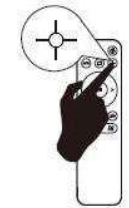
2. Edge Cleaning

Robot performs edge cleaning with a distance less than 2CM to the wall.



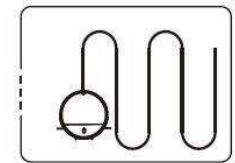
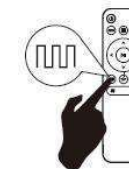
3. Spot Cleaning

Robot starts cleaning in an outward spiral motion, then moves in an inward spiral motion after reaching the maximum radius of 0.6 meters. Robot ends cleaning after returning to the starting point.



4. Zig-zag Cleaning

Under zig-zag cleaning mode, the longest cleaning distance is 5 meters in a straight line.



Product Usage – Wi-Fi Connection

1. Download APP/Register

Scan the QR code here or search “Tuya Smart” from APP store and download it. Follow the APP operating instructions to register an account.

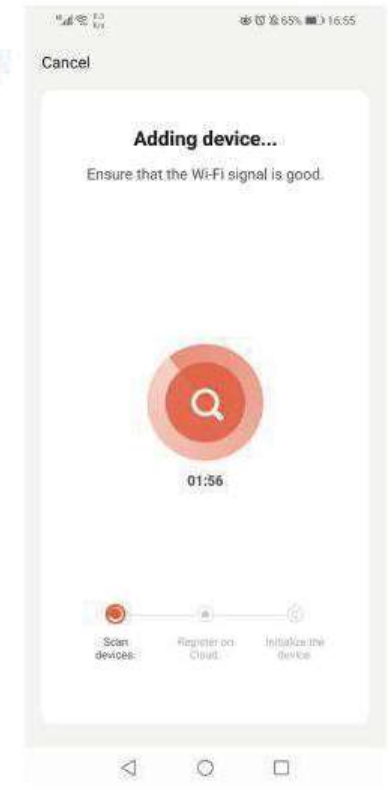
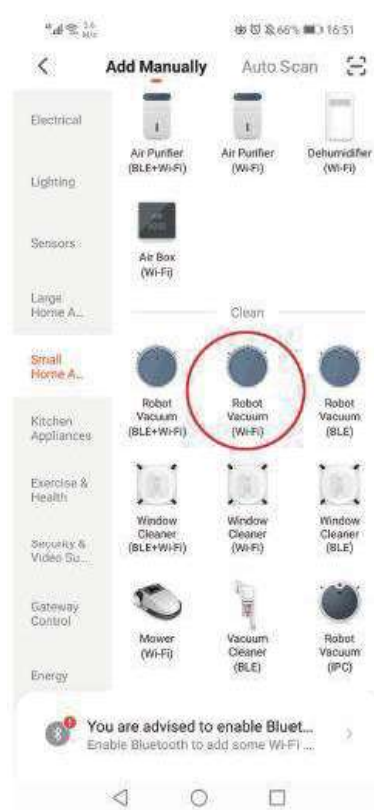


2. Wi-Fi Connection

There are two Wi-Fi connection modes: **EZ mode** and **AP mode**.

(1) EZ mode:

1. Power on the robot, press and hold recharge button for 3 seconds to enter EZ mode, you will hear a beep sound. Power indicator light turns yellow and blinks.



2. Log into your Tuya APP and click "Add Device".

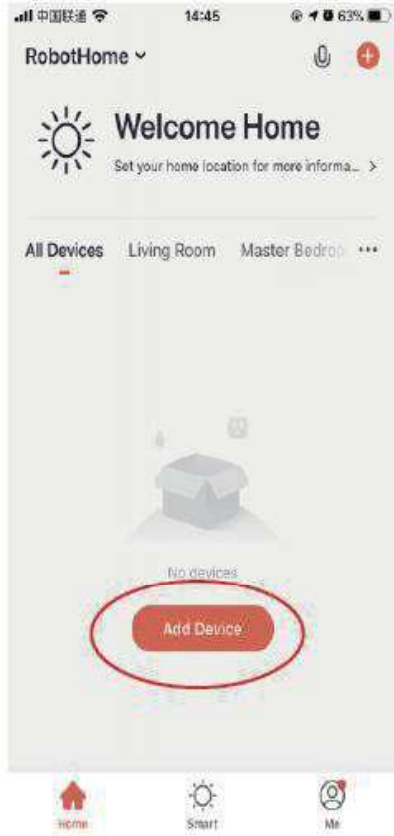
3. Select "Small Home Appliance", then choose "Wi-Fi Robot Vacuum Cleaner".

4. Select 2.4 GHz Wi-Fi network and enter Wi-Fi name and password, then click "Next".

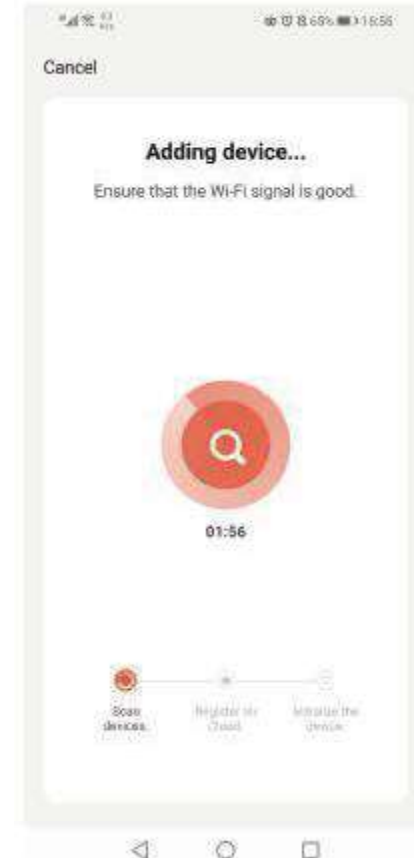
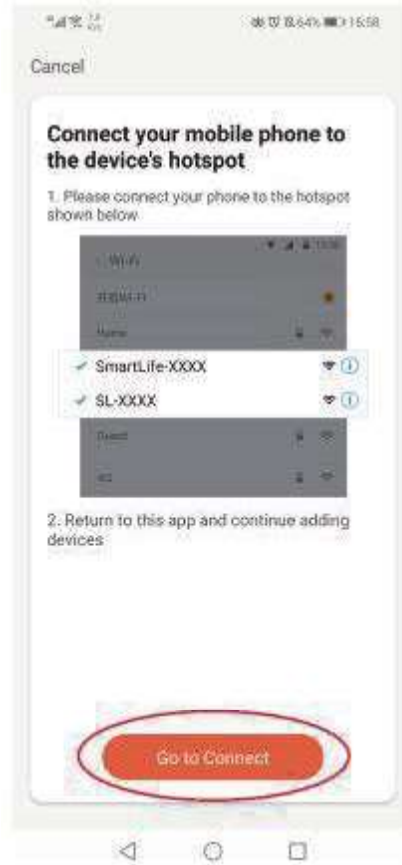
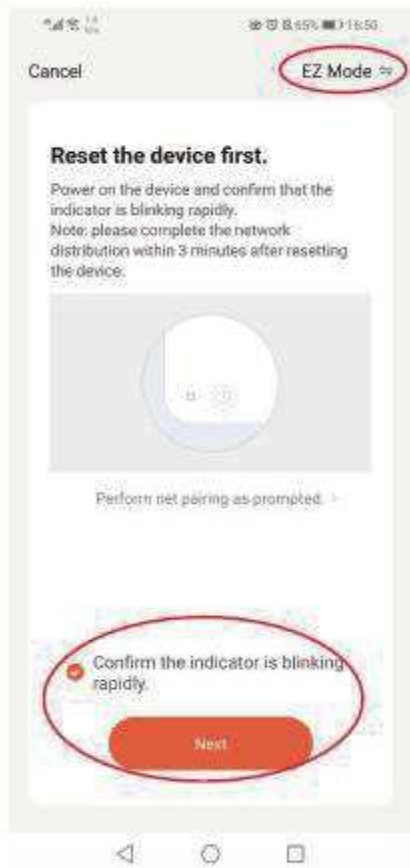
5. Select EZ mode, click "Confirm the indicator is blinking rapidly" and "Next" to wait for connection result.

(2) AP mode:

1. Power on the robot, press and hold recharge button for 6 seconds to enter AP mode, you will hear two beeps. Power indicator light turns yellow and blinks.



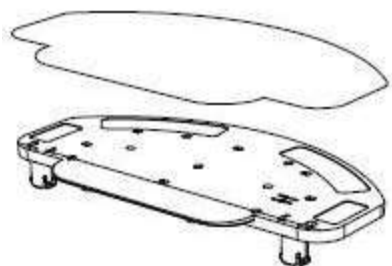
2. Log into your Tuya APP and click "Add Device".
3. Select "Small Home Appliance", then choose "Wi-Fi Robot Vacuum Cleaner".
4. Select 2.4 GHz Wi-Fi network and enter Wi-Fi name and password, then click "Next".



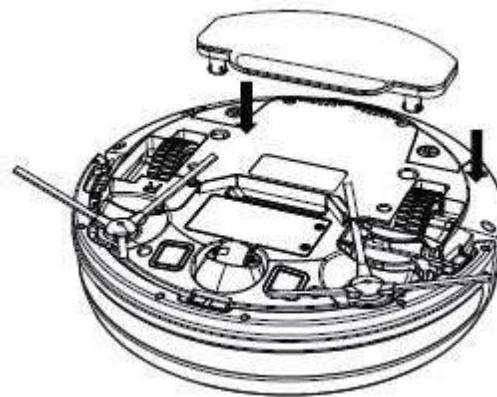
5. Select AP mode, and click “Confirm the indicator is blinking slowly.” and “Next”.
6. Go to connect with the Wi-Fi hotspot which starts with “SmartLife XXX”.
7. After connecting to Wi-Fi hotspot, return to Tuya APP interface and wait for robot connection result.

Product Usage – Install the Mopping Holder

A. Install the mopping cloth to the mopping holder;



B. Install the mopping holder to the robot;

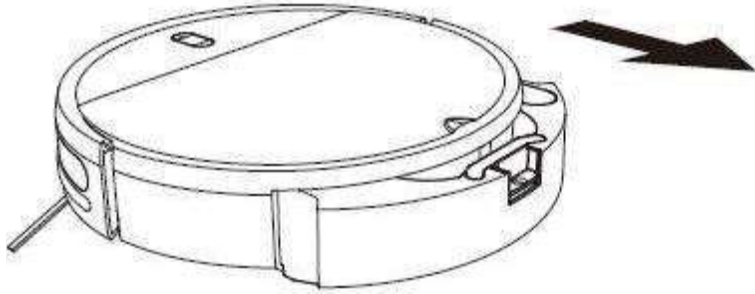


Product Usage – Water Tank

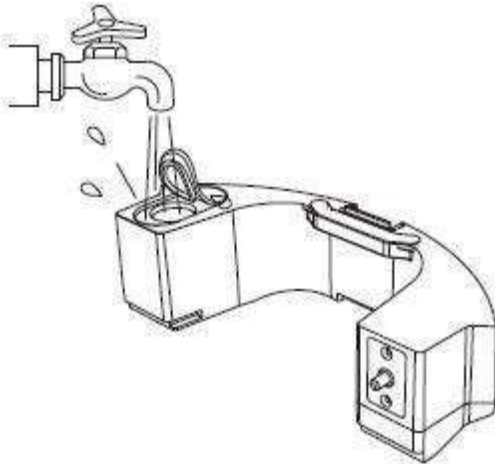
* Do not use mopping function in the carpet.

* After mopping finished, clean the water tank and disassemble the mop cloth in time.

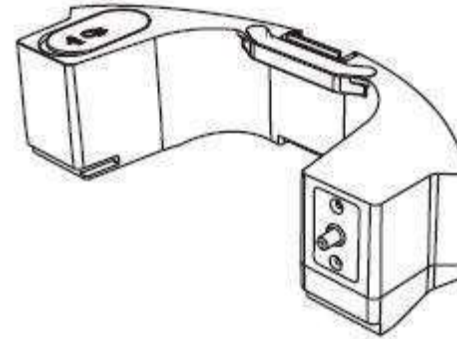
A. Take out the water tank;



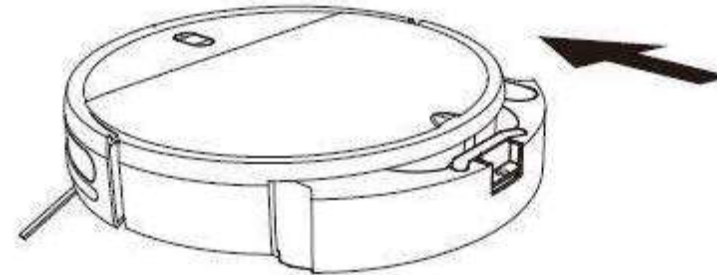
B. Open the silica gel plug and add water;



C. Flatten the rubber plug;

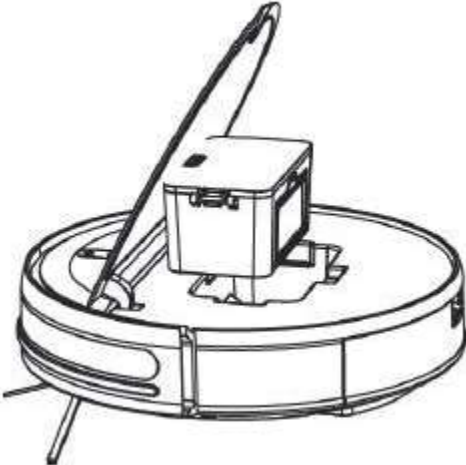


D. Install the water tank to robot.

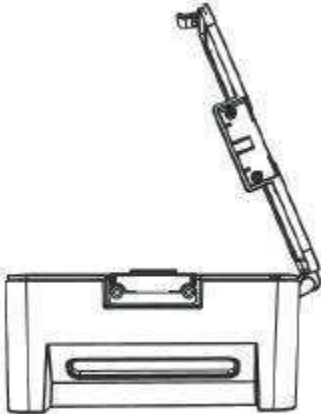


Parts Maintenance – Dust Box

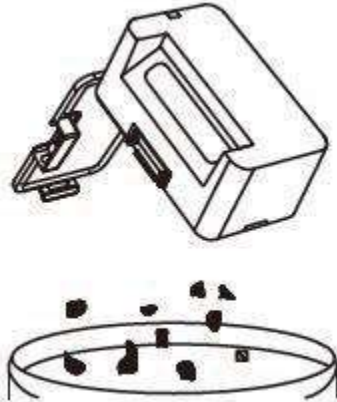
A. Press the button on the dust box to remove the dust box.



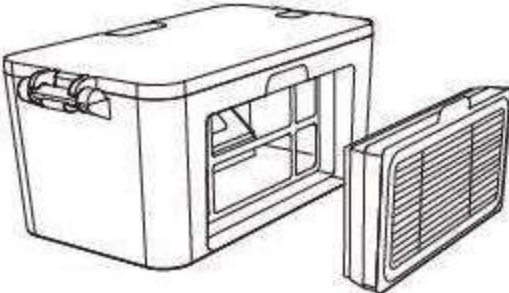
B. Open the side cover of the dust box.



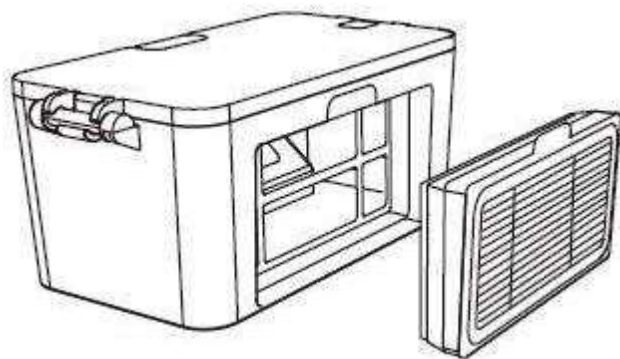
C. Dump rubbish.



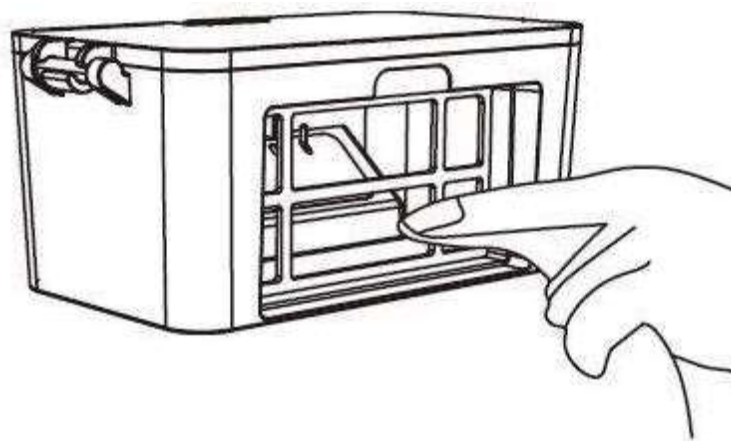
D. Take out the HEPA filter.



E. Tap the HEPA filter to remove dust.



G. Clean the dust box with a cloth.

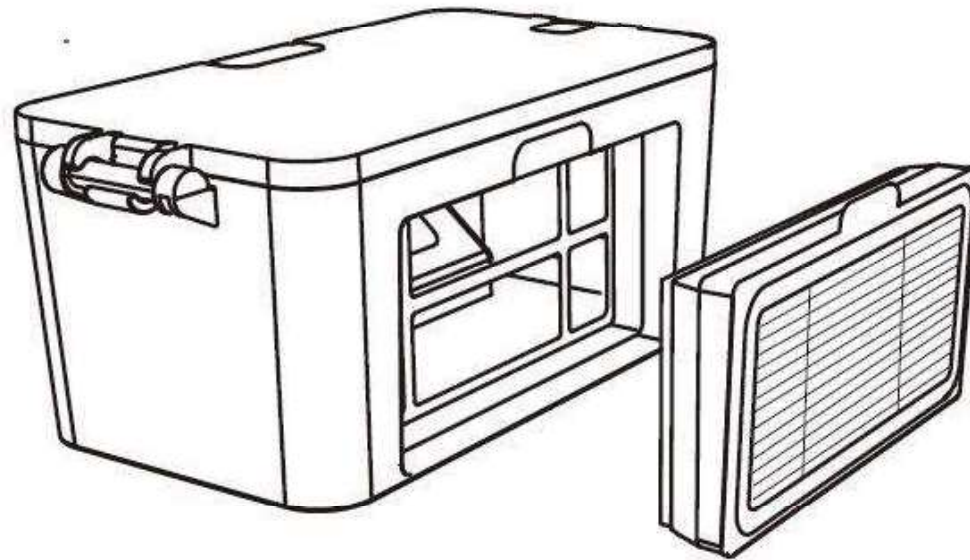
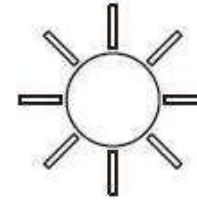


F. Wash the HEPA filter.



H. Dry the dust box and filter component to guarantee their service life.

Note: It is recommended that you wash the HEPA filter every 15 to 30 days. The maximum service life of the HEPA filter is three months.



I. Put the HEPA filter back into the dust box.

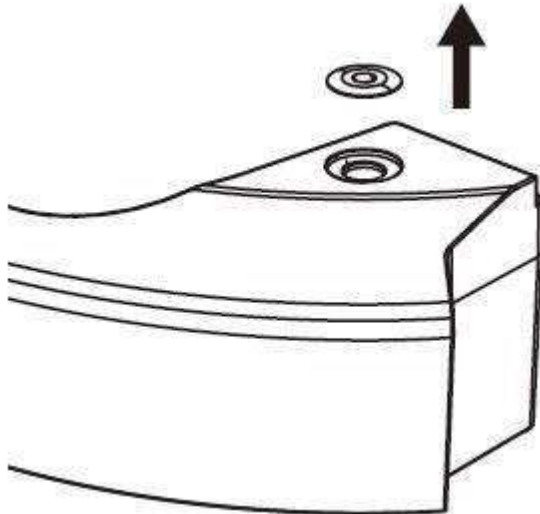
Note: 1. Before installing the HEPA filter, ensure that the HEPA filter is dry.

2. Do not expose the HEPA filter to the sunlight.

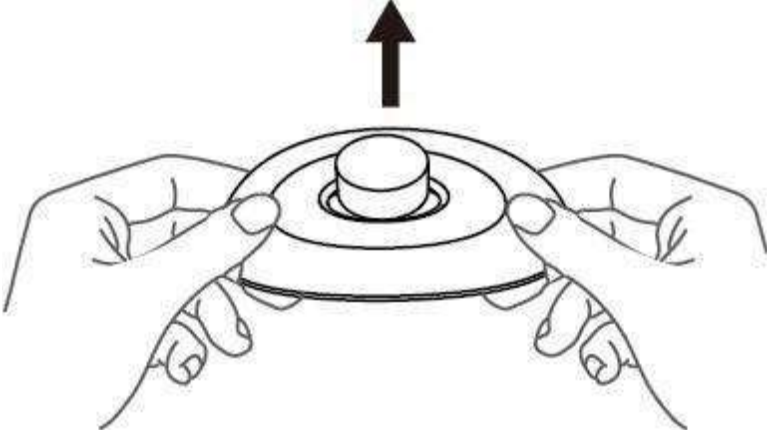
J. Close the lid of the dust box and install the dust box to the main unit.

Parts Maintenance – Cotton Filter

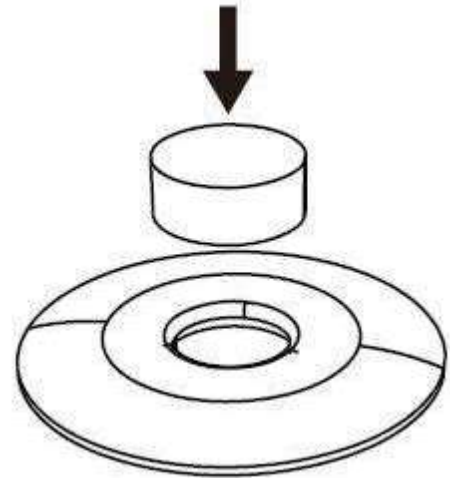
A. Take out the outlet rubber plug;



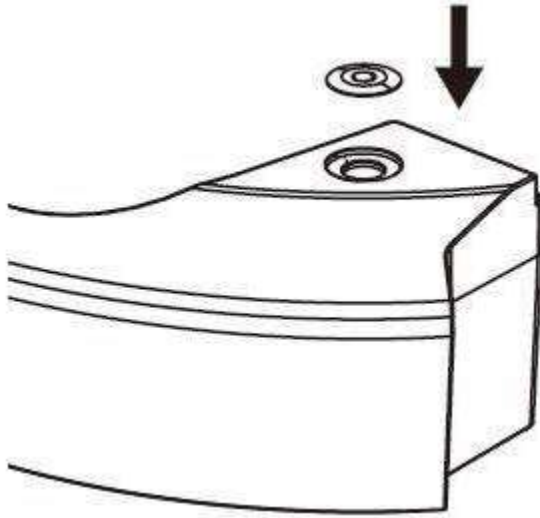
B. Take out the cotton filter from the outlet rubber plug;



C. Replace with a new cotton filter;



D. Install the outlet rubber plug.

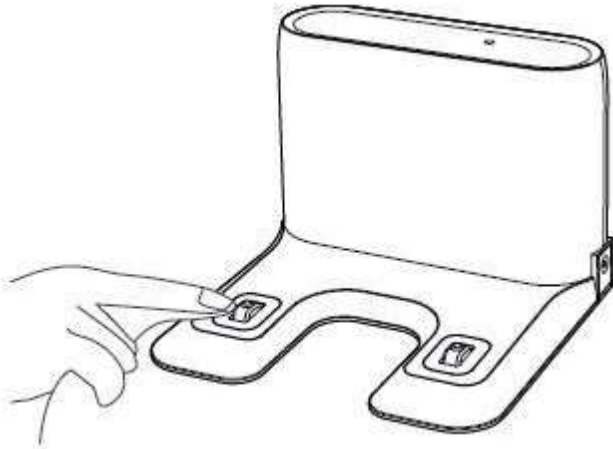


Parts Maintenance – Charging Electrode, Lower Visual Sensor, Driving Wheel and Universal Wheel

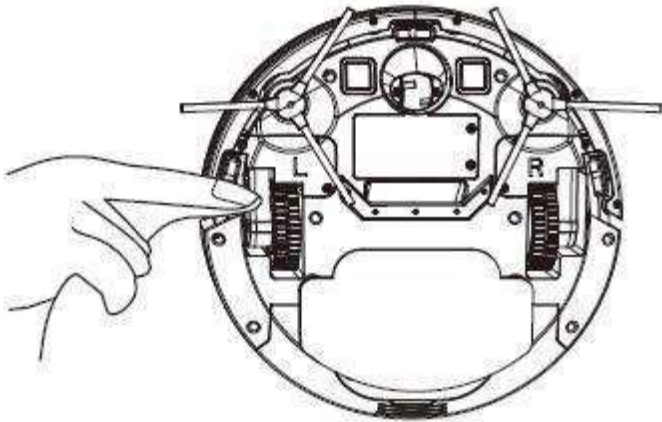
Note: The charging electrode, lower visual sensor and bumper contain sensitive electronic components. Use a dry cloth to clean the parts.

Do not use a wet cloth in case water enters the parts and causes damage.

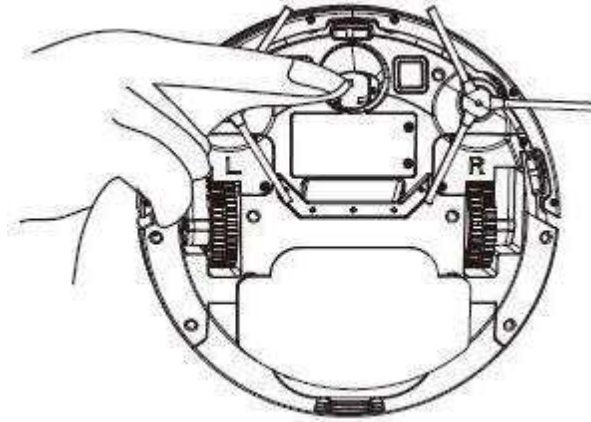
Cleaning the charging electrode



Cleaning the lower visual sensor



Cleaning the driving wheel and universal wheel



- * If you do not use the product for a long time, fully charge the product and then power off the product before you store the product. Charge the product every three months to avoid over-discharge of the battery.
- * If the battery is over-discharged or is not used for a long time, the product may not be rechargeable. Contact after-sales service personnel of the company for maintenance. Do not disassemble the product.

Light Indication

Robot has two indicator lights, the upper one is for power indication and the lower one is for charging indication. Light has three colors: red, green and yellow. Light status includes lights off, lights steady on, fast blinking and slow blinking.

Item	Device status	Light status			
		Power		Recharging	
		Color	Status	Color	Status
1	Power on	Green	Steady on		Off
2	Power off		Off		Off
3	Cleaning	Green	Off		Off
4	Recharging	Green	Steady on	Yellow	Steady on
5	Low battery recharge	Green	Steady on	Red	Steady on
6	During Charging	Green	Steady on	Green	Slow blinking
7	Charging finished	Green	Steady on	Green	Steady on
8	WI-FI AP	Green	Fast blinking	Green	Fast blinking
9	WIFI connected	Green	Steady on		Off
10	Warning	Red	Fast blinking		Off
11	Standby mode	Green	Steady on		Off
12	Sleeping mode		Off		Off
13	Low battery	Red	Fast blinking		Off
14	Not calibrated	Red	Fast blinking	Red	Fast blinking
15	Calibrated	Green	Steady on		Off

Product Specifications

Category	Item	Specifications
Structure	Diameter	300 mm
	Height	74 mm
Battery	Net weight	2.5 kg
	Battery capacity	14.4 V
	Battery	2500 mAh rechargeable lithium battery
Performance	Dust box capacity	200 ml
	Charging types	Auto charging and manual charging
	Cleaning modes	Auto cleaning; Spot cleaning; Edge cleaning
	Charging time	About 300 minutes
Main unit	Cleaning time	About 100 minutes
	Rated power (W)	28
	Operating voltage (V)	14.4

* Due to the continuous improvement of the product, the product specifications are subject to the actual product. Our company reserves the right to update the product.

Please notice - All products are subject to change without any notice. We take reservations for errors and omissions in the manual.

ALL RIGHTS RESERVED, COPYRIGHT DENVER A/S



denver.eu



Electric and electronic equipment and included batteries contains materials, components and substances that can be hazardous to your health and the environment, if the waste material (discarded electric and electronic equipment and batteries) is not handled correctly.

Electric and electronic equipment and batteries is marked with the crossed out trash can symbol, seen above. This symbol signifies that electric and electronic equipment and batteries should not be disposed of with other household waste, but should be disposed of separately.

As the end user it is important that you submit your used batteries to the appropriate and designated facility. In this manner you make sure that the batteries are recycled in accordance with legislature and will not harm the environment.

All cities have established collection points, where electric and electronic equipment and batteries can either be submitted free of charge at recycling stations and other collection sites, or be collected from the households. Additional information is available at the technical department of your city.

Hereby, Denver A/S declares that the radio equipment type RVC-110 is in compliance with Directive 2014/53/EU. The full text of the EU declaration of conformity is available at the following internet address: denver.eu and then click the search ICON on topline of website. Write model number: RVC-110. Now enter product page, and RED directive is found under downloads/other downloads.

Operating Frequency Range: 2400MHz-2483.5MHz

Max Output Power: 19dBm

DENVER A/S

Omega 5A, Soeften

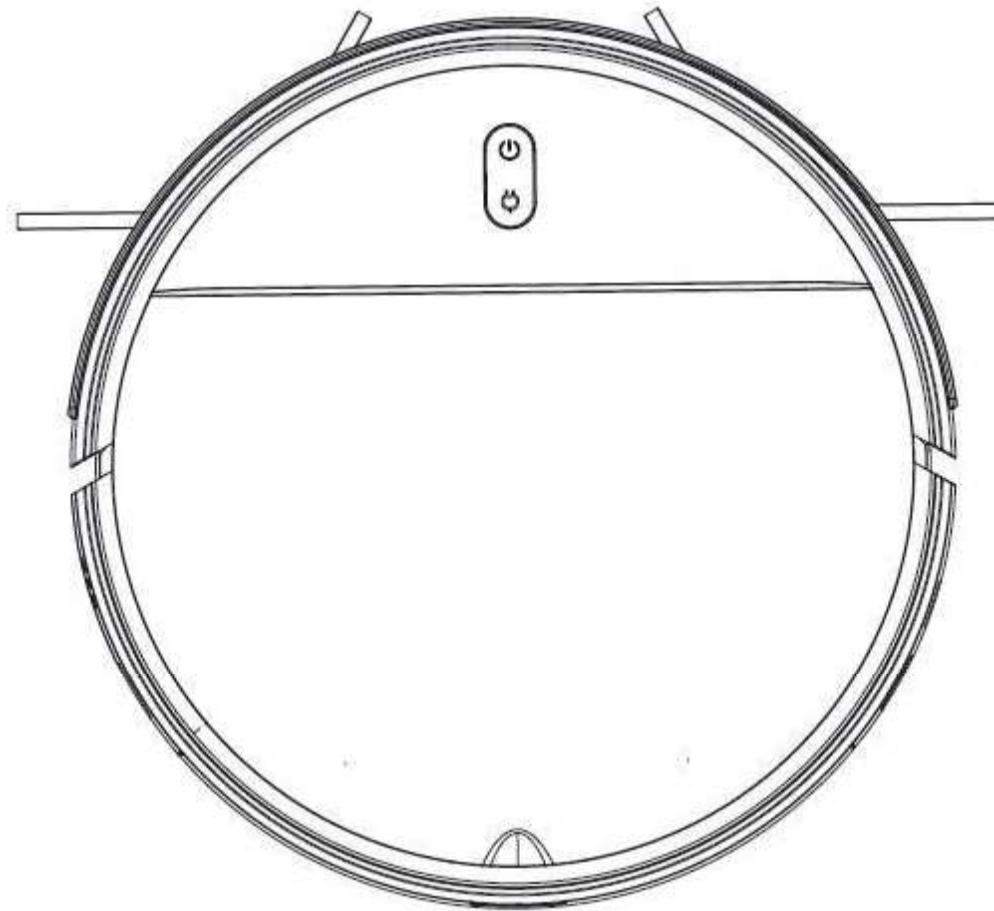
DK-8382 Hinnerup

Denmark

www.facebook.com/denver.eu

Bedienungsanleitung Saugroboter

Modell: RVC-110



www.denver.eu

facebook.com/Denver.eu

Sicherheitshinweise

Bitte lesen Sie die Sicherheitshinweise vor der ersten Verwendung des Geräts aufmerksam durch und bewahren Sie die Anleitung zum späteren Nachschlagen auf.

1. Halten Sie die Produkte von Kindern und Haustiere fern, damit sie nicht darauf herumkauen und/oder sich verschlucken.
2. Warnung: Dieses Produkt enthält einen Lithium-Ionen-Akku.
3. Öffnen Sie das Gerät nicht. Dieses Produkt darf nur von qualifiziertem Personal demontiert werden. Es wird nicht empfohlen, dass Sie das Produkt selbst warten oder reparieren.
4. Laden Sie das Produkt nur mit dem mitgelieferten Ladegerät auf. Verwenden Sie nur Original-Zubehörteile zusammen mit dem Produkt; Nichtbeachtung kann die Funktionalität des Produkts beeinträchtigen.
5. Berühren Sie keine Kabel, Anschlüsse oder Komponenten, wenn das Produkt im Reinigungsmodus ist.
6. Setzen Sie sich nicht auf das Produkt.
7. Bevor Sie das Produkt benutzen, entfernen Sie bitte alle gefährdeten Gegenstände wie Lampen, Glasgegenstände, Vorhänge und andere Hindernisse, von denen die Bürsten oder der Luftansaugkanal blockiert werden könnten.
8. Stellen Sie keine schweren Gegenstände auf das Produkt.
9. Dieses Produkt ist ein Haushaltsgerät. Das Gerät ist für die Verwendung in Innenräumen und unter trockenen Bedingungen vorgesehen. Verwenden Sie es nicht im Freien.
10. Verwenden Sie dieses Produkt nicht in feuchten Umgebungen wie im Badezimmer.
11. Um Unfälle zu vermeiden, informieren Sie bitte andere Personen im Haushalt, wenn das Produkt reinigt.
12. Leeren Sie den Staubbehälter nach jedem Gebrauch. Ein voller Staubbehälter beeinträchtigt die Reinigungsleistung und verringert die Saugkraft.
13. Die Betriebs- und Lagertemperatur des Produktes beträgt 0 bis +40 °C. Umgebungstemperaturen unter und über diesem Bereich können die Funktionalität des Produkts beeinflussen.
14. Verwenden Sie nur den Original-Akku und die Ladestation, die vom Hersteller geliefert wurden. Normale Batterien sind strengstens untersagt. Die Spezifikationen des Akkus finden Sie unter „Technische Daten“.
15. Verwenden Sie das Produkt nicht in Umgebungen mit offenen Flammen oder zerbrechlichen Produkten.
16. Verwenden Sie das Produkt nicht bei extrem heißen (über 40 °C) oder kalten (unter 0 °C) Temperaturen. Die Garantie deckt keine hierdurch verursachten Schäden ab.
17. Berühren Sie das Produkt nicht, wenn es eingeschaltet ist oder gereinigt wird. Halten Sie Haare, Kleidung, Finger und andere Körperteile von den Öffnungen des Produkts fern.
18. Das Produkt darf keine Steine oder Papierabfälle aufsaugen, da diese das Produkt verstopfen können.
19. Das Produkt darf keine brennenden Gegenstände wie Zigaretten, Streichhölzer, Asche usw. aufsaugen, die ein Feuer verursachen können.
20. Halten Sie das Produkt von brennbaren Substanzen wie Drucker- und Kopiertoner und brennenden Flüssigkeiten fern.
21. Führen Sie keine Gegenstände in die Ansaugöffnung ein. Verwenden Sie das Gerät nicht, wenn die Ansaugöffnung blockiert ist. Entfernen Sie Staub, Haare usw. an der Ansaugöffnung, um eine reibungslose Luftzirkulation an der Öffnung zu gewährleisten.
22. Behandeln Sie das Netzkabel vorsichtig, um Schäden zu vermeiden. Ziehen, zerren oder benutzen Sie das Netzkabel nicht als Griff, wenn Sie die Ladestation umstellen.

23. Verlegen Sie das Netzkabel nicht in Türöffnungen oder an anderen Stellen, an denen es beschädigt werden kann. Achten Sie darauf, dass um das Netzkabel und die Ladestation herum ausreichend Platz vorhanden ist.
24. Verwenden Sie kein beschädigtes Ladegerät oder Netzkabel.
25. Warnung: Die Fernbedienung enthält AAA-Batterien. Verwenden Sie nur AAA-Batterien in der Fernbedienung.
26. Verwenden Sie niemals alte und neue Batterien oder verschiedene Batterietypen gleichzeitig. Nehmen Sie die Akkus/Batterien heraus, wenn Sie das Produkt über einen längeren Zeitraum nicht verwenden. Überprüfen Sie die Polarität (+/-) der Batterien, wenn Sie sie in das Produkt einsetzen. Falsches Einsetzen kann eine Explosion verursachen. Die Batterien sind nicht im Lieferumfang enthalten.
27. Das Netzteil wird als Trennvorrichtung verwendet. Die Trennvorrichtung muss leicht zugänglich bleiben. Achten Sie darauf, dass um die Steckdose herum ausreichend Platz für einfachen Zugang ist.

Produkt – Lieferumfang



1 x Saugroboter



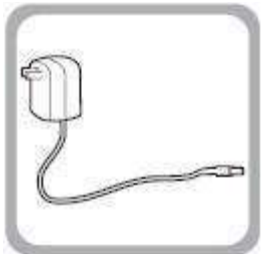
1 x Ladestation



2 x Akku



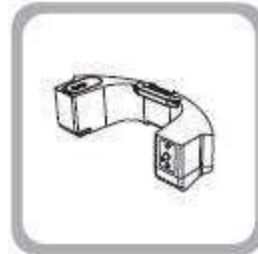
1 x Fernbedienung



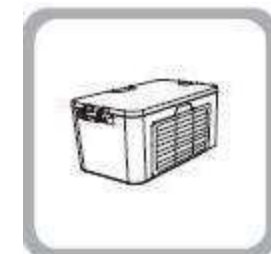
1 x Netzteil



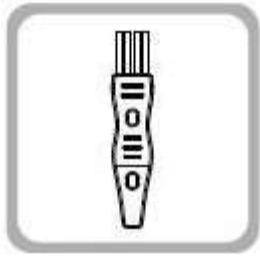
1 x Wischmophalter



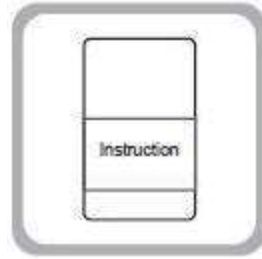
1 x Wassertank



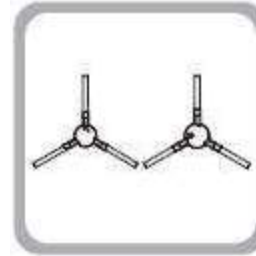
1 x Staubbehälter



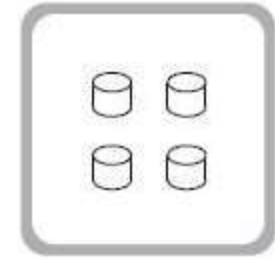
1 x Reinigungsbürste



1 x Bedienungsanleitung



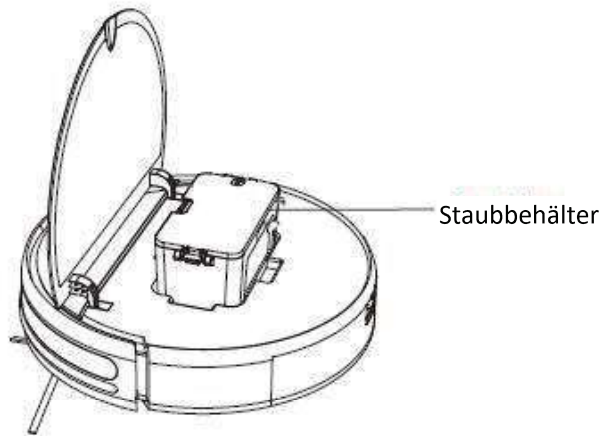
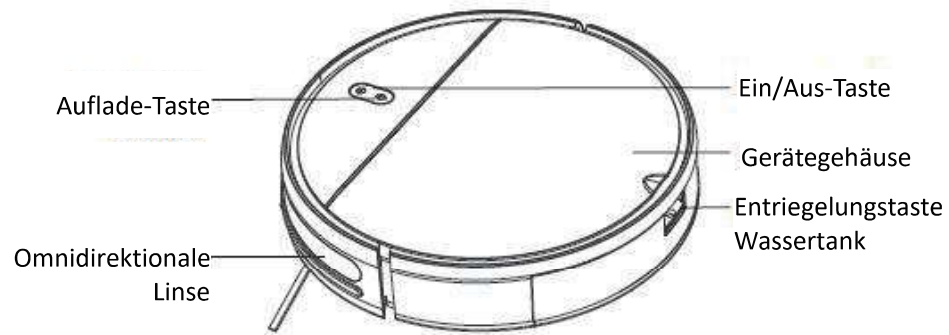
2 x Seitenbürste



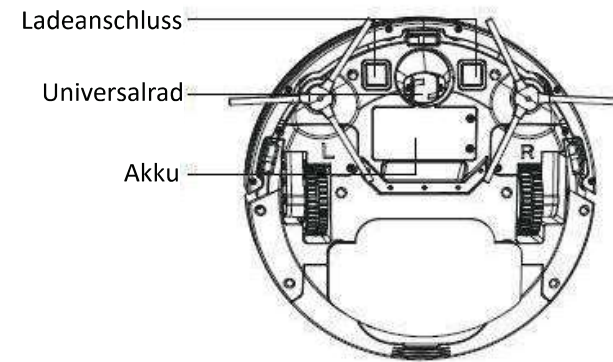
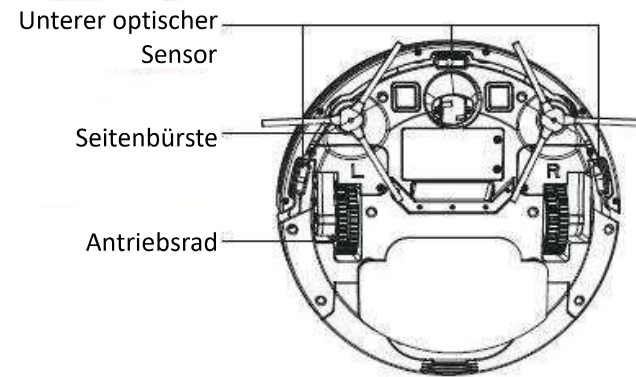
4 x Baumwollfilter

Produkt – Aufbau

Draufsicht



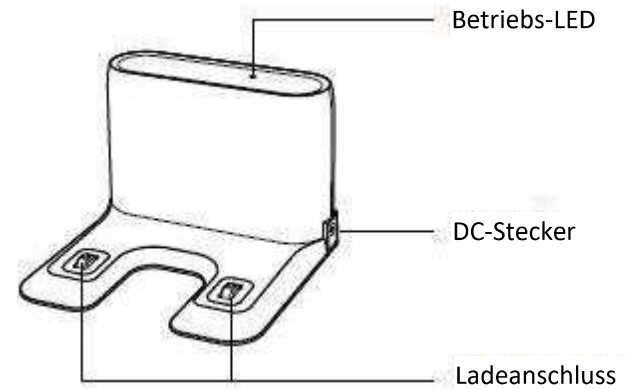
Unteransicht



Staubbehälter



Ladestation



Fernbedienung

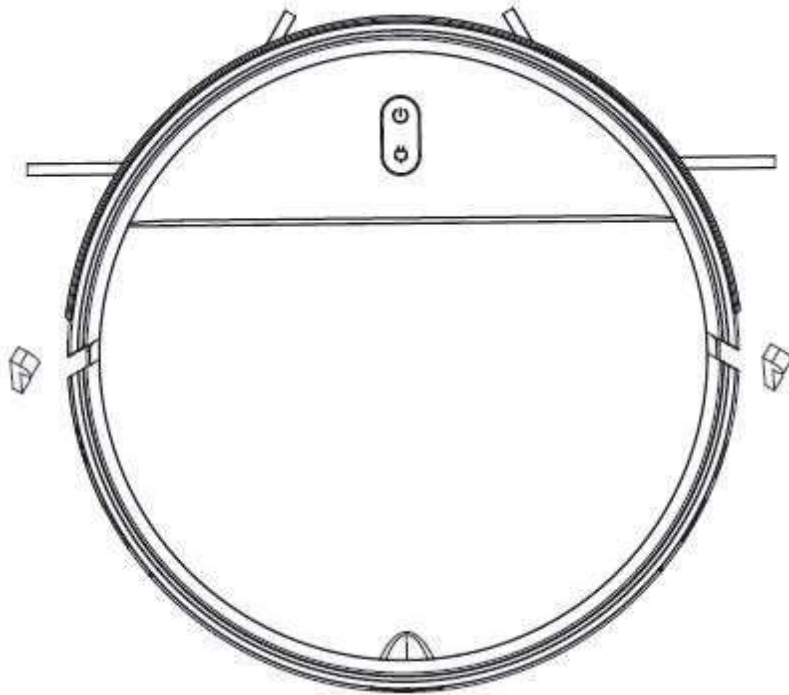


Vorbereitung

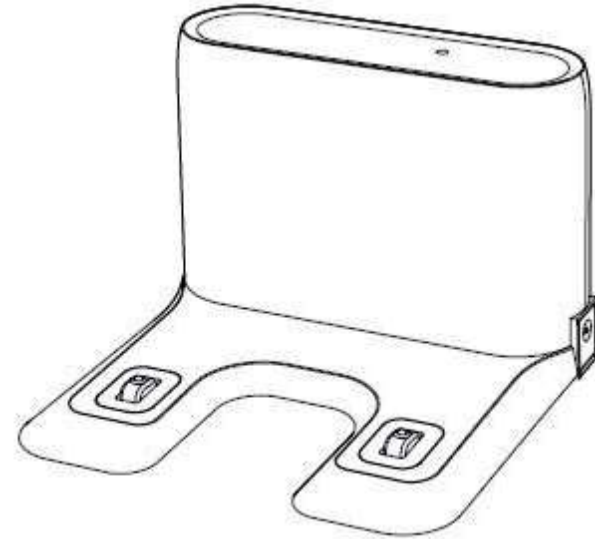
Schutzclips entfernen

Entfernen Sie vor der Verwendung des Saugroboters die Schutzclips.

Schutzclips entfernen

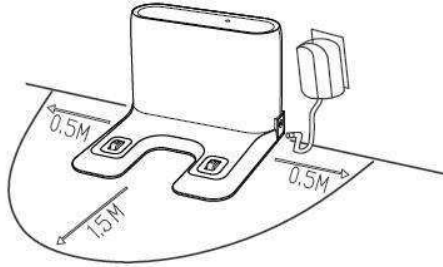


Schutzfolie entfernen

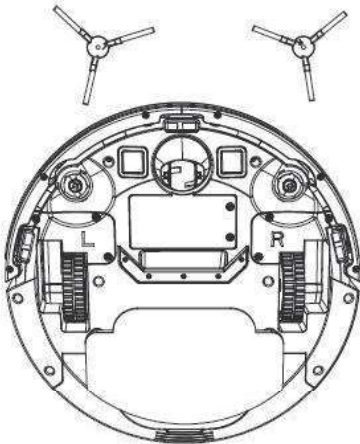


Betrieb – Saugroboter aufladen

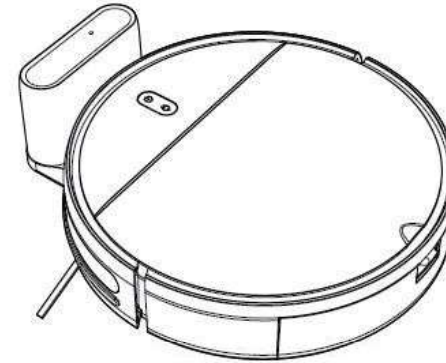
1. Stellen Sie die Ladestation eben und an einer Wand auf. Stellen Sie keine Gegenstände 0,5 m links und rechts sowie 1,5 m vor der Ladestation ab.



2. Schließen Sie die Ladestation am Stromnetz an.
3. Installieren Sie die linke und rechte Seitenbürste.




4. Laden: Stellen Sie den Saugroboter zum Aufladen in die Ladestation. Während des Ladevorgangs blinkt die LED. Wenn der Ladevorgang abgeschlossen ist, leuchtet die LED. Es dauert etwa fünf Stunden, um den Saugroboter vollständig aufzuladen.



Während der Reinigung prüft der Saugroboter automatisch seine Kapazität.

Wenn die Leistung nicht ausreicht, kehrt der Saugroboter zur Ladestation zurück.

Alternativ können Sie auch  auf der Fernbedienung drücken, um dem Saugroboter zu befehlen, zur Ladestation zurückzukehren.

Vorsicht:

1. Verwenden Sie die Ladestation nicht in reflektierenden Umgebungen, wie z. B. an Orten mit direkter Sonneneinstrahlung oder Spiegeln in unmittelbarer Nähe. Decken Sie die Ladestation in einer Höhe von 7 cm von der Unterseite ab, wenn sich dort reflektierende Gegenstände befinden.
2. Um die normale Betriebsdauer des Saugroboters zu gewährleisten, laden Sie ihn vor Gebrauch vollständig auf. Die Ladezeit beträgt etwa fünf Stunden.
3. Um die Sicherheit des Ladevorgangs zu gewährleisten und zu verhindern, dass ein feuchtes Tuch den Boden beschädigt, entfernen Sie den Wassertank, vor dem Aufladen.

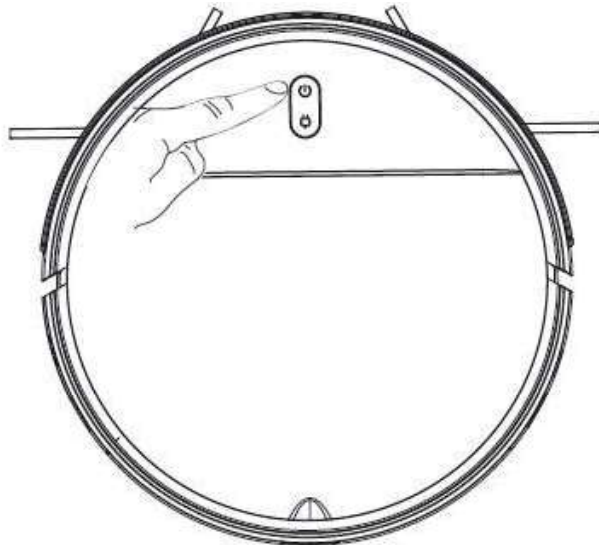
Betrieb – Reinigung starten

Für unterschiedliche Anforderungen bietet dieses Produkt mehrere Reinigungsmodi. Sie können die Reinigungsmodi über den Saugroboter oder die Fernbedienung einstellen.

Der Saugroboter ist nicht dafür ausgelegt, Türschwellen zu überwinden.

Automatische Reinigung

Einstellungsmethode: Halten Sie die Ein/Aus-Taste gedrückt. Nachdem die Anzeige des Saugroboters leuchtet und damit anzeigt, dass er eingeschaltet ist, drücken Sie erneut die Ein/Aus-Taste, um die automatische Reinigung zu aktivieren.




Punktuelle Reinigung

Szenario: Der Reinigungsmodus ist für besonders verschmutzte Umgebungen geeignet. Der Saugroboter reinigt den Boden in einer spiralförmigen Bahn in dem angegebenen Bereich und kehrt nach der Reinigung zum ursprünglichen Punkt zurück.

Einstellungsmethode: Drücken Sie  auf der Fernbedienung, um die punktuelle Reinigung zu aktivieren.


Kantenreinigung

Szenario: Dieser Reinigungsmodus ist für Innenecken geeignet. Der Saugroboter reinigt den Boden entlang der Kanten von festen Objekten (z.B. einer Wand) und kehrt nach der Reinigung zur Ladestation zurück.

Einstellungsmethode: Drücken Sie  auf der Fernbedienung, um die Reinigung entlang der Kanten zu aktivieren.

Manuelle Steuerung

Szenario: Hier steuern Sie die Reinigungsrouten und den Bereich mit den Richtungstasten auf der Fernbedienung.

Einstellungsmethode: Drücken Sie  auf der Fernbedienung, um das Gerät beim Vorwärts- oder Rückwärtsfahren oder beim Wenden zu steuern.

Betrieb – Pause, Aufwecken und Ausschalten



Pause: Wenn der Saugroboter in Betrieb ist, drücken Sie die Ein/Aus-Taste auf dem Gerät oder auf der Fernbedienung, um den Saugroboter anzuhalten.

Aufwecken: Nachdem der Saugroboter mehr als 10 Minuten angehalten wurde, aktiviert er den Standby-Modus (die LED des Saugroboters erlischt). Drücken Sie die Ein/Aus-Taste auf dem Saugroboter oder der Fernbedienung, um der Saugroboter neu zu starten.

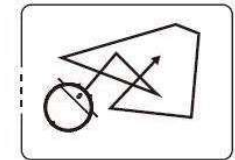
Ausschalten: Nachdem der Saugroboter angehalten wurde, halten Sie die Ein/Aus-Taste auf dem Saugroboter gedrückt. Wenn die LED des Saugroboters nicht leuchtet, ist das Gerät ausgeschaltet.

* Nachdem der Saugroboter den Betrieb beendet hat, schalten Sie ihn nicht aus. Lassen Sie den Saugroboter im Lademodus, damit er beim nächsten Einsatz wieder einwandfrei arbeitet.

Reinigungsmodi

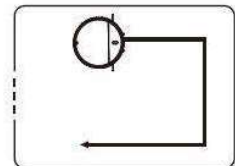
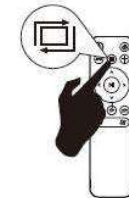
1. Automatische Reinigung

Der Saugroboter führt 90 Minuten lang eine willkürliche Reinigung durch und kehrt nach Beendigung automatisch an die Ladestation zurück.



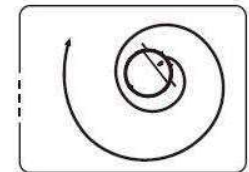
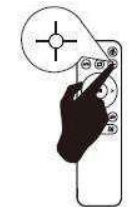
2. Kantenreinigung

Der Saugroboter führt eine Kantenreinigung in einem Abstand von weniger als 2 cm zur Wand durch.



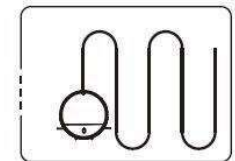
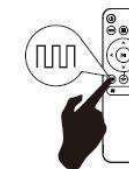
3. Punktuelle Reinigung

Der Saugroboter beginnt die Reinigung mit einer spiralförmigen Bewegung nach außen und bewegt sich dann spiralförmig nach innen, nachdem er den maximalen Radius von 0,6 m erreicht hat. Der Saugroboter beendet die Reinigung, nachdem er zum Startpunkt zurückgekehrt ist.



4. Zick-Zack-Reinigung

Im Zick-Zack-Reinigungsmodus beträgt die längste Reinigungsstrecke 5 Meter in einer geraden Linie.



Betrieb – WLAN-Verbindung

1. App herunterladen/Registrieren

Scannen Sie den QR-Code oder suchen Sie im App-Store nach „Tuya Smart“ und laden Sie die App herunter. Folgen Sie den Anleitungen der App, um ein Konto zu registrieren.

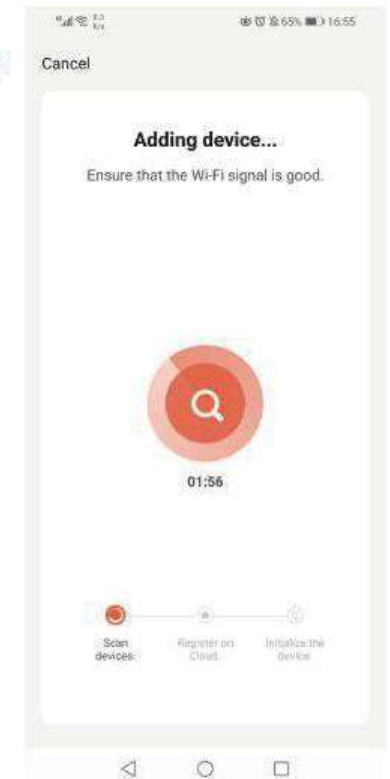
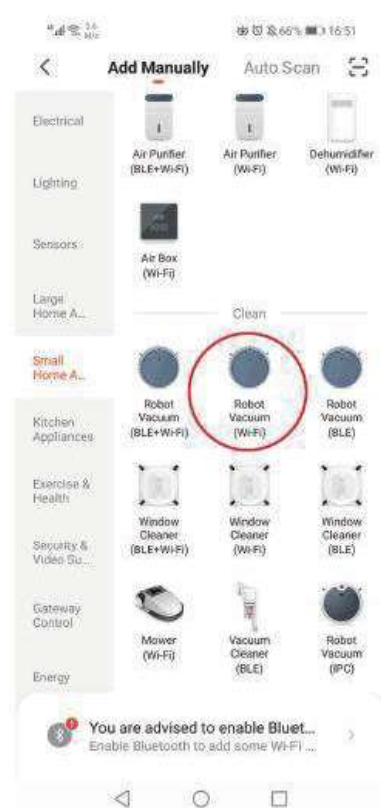
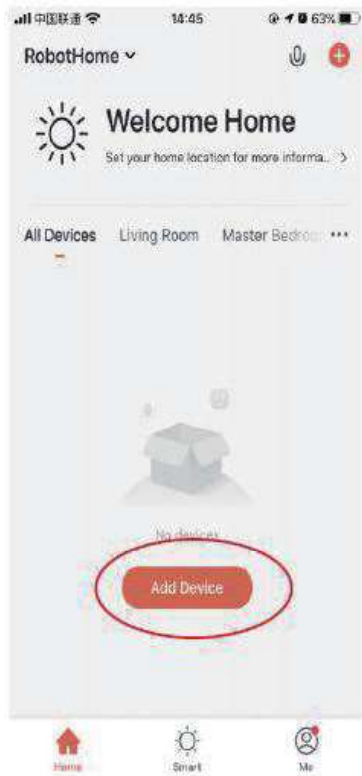


2. WLAN-Verbindung

Es gibt zwei WLAN-Verbindungsmodi: **EZ-Modus** und **AP-Modus**.

(1) EZ-Modus:

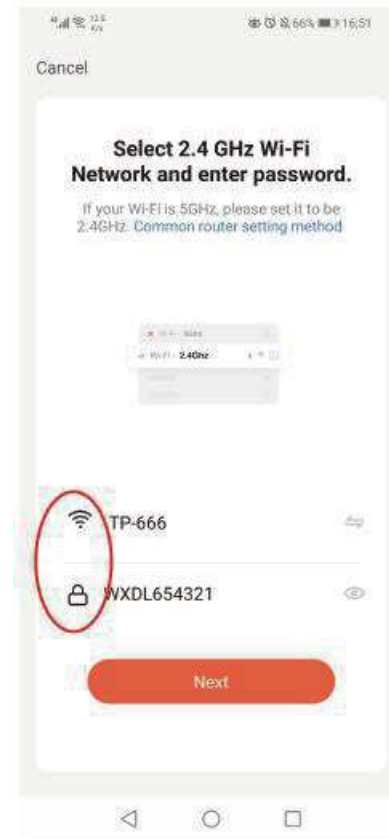
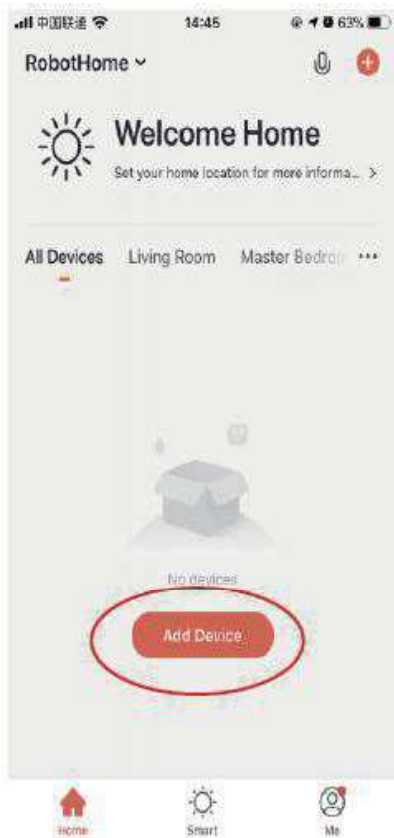
1. Schalten Sie den Saugroboter ein und halten Sie die Ladetaste für 3 Sekunden gedrückt, um den EZ-Modus aufzurufen; es erfolgt eine akustische Bestätigung mit einem Signalton. Die LED blinkt gelb.



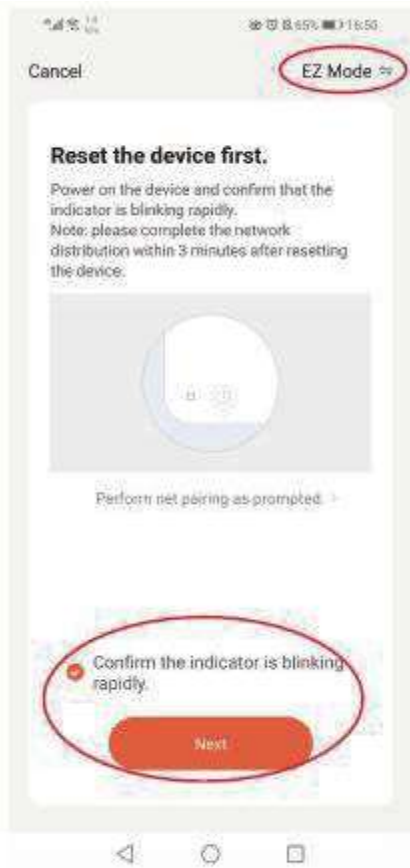
2. Melden Sie sich bei Ihrer Tuya-App an und tippen Sie auf „Gerät hinzufügen“.
3. Wählen Sie „Kleines Haushaltsgerät“ und dann „WLAN-Saugroboter“.
4. Wählen Sie das 2,4-GHz-WLAN-Netzwerk, geben Sie den WLAN-Namen und das Passwort ein und tippen Sie auf „Weiter“.
5. Wählen Sie den EZ-Modus, tippen Sie auf „Bestätigen, dass die Anzeige schnell blinkt“ und „Weiter“, um auf die Verbindung zu warten.

(2) AP-Modus:

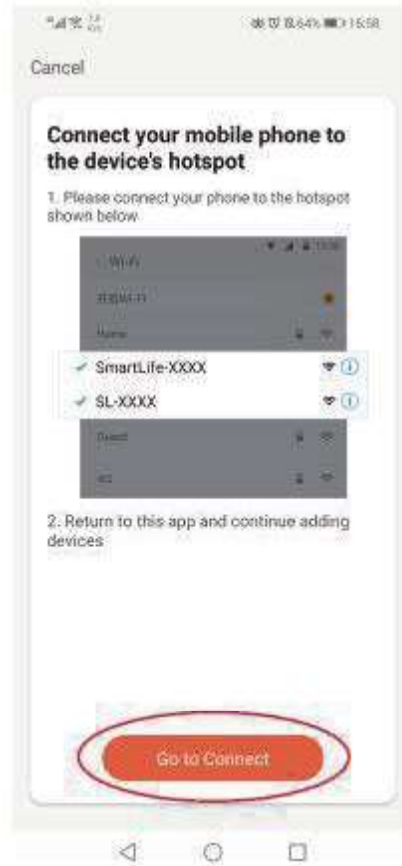
1. Schalten Sie den Saugroboter ein und halten Sie die Ladetaste für 6 Sekunden gedrückt, um den AP-Modus aufzurufen; es erfolgt eine akustische Bestätigung mit zwei Signaltönen. Die LED blinkt gelb.



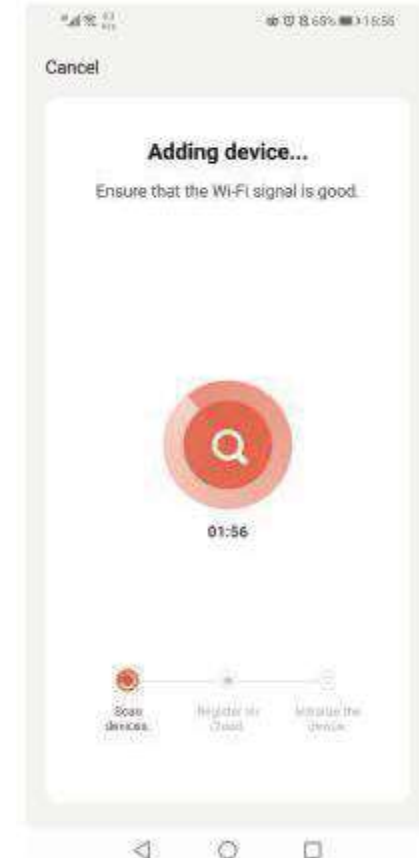
2. Melden Sie sich bei Ihrer Tuya-App an und tippen Sie auf „Gerät hinzufügen“.
3. Wählen Sie „Kleines Haushaltsgerät“ und dann „WLAN-Saugroboter“.
4. Wählen Sie das 2,4-GHz-WLAN-Netzwerk, geben Sie den WLAN-Namen und das Passwort ein und tippen Sie auf „Weiter“.



5. Wählen Sie den AP-Modus und tippen Sie auf „Bestätigen, dass die Anzeige langsam blinkt“ und „Weiter“.



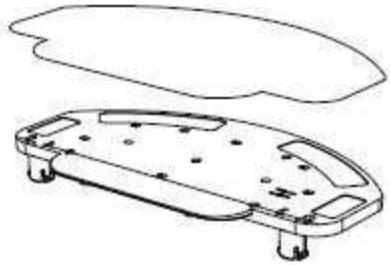
6. Stellen Sie eine Verbindung mit dem WLAN-Hotspot her, der mit „SmartLife XXX“ beginnt.



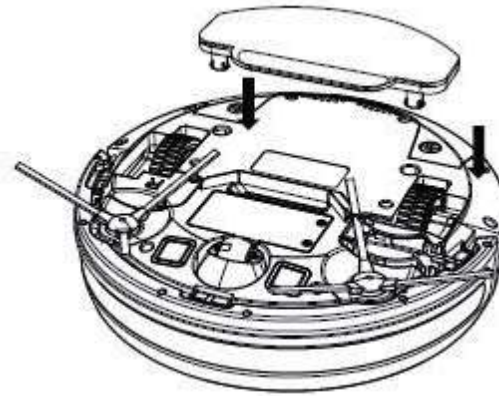
7. Nachdem Sie sich mit dem WLAN-Hotspot verbunden haben, kehren Sie zur Tuya-App zurück und warten auf die Verbindung.

Betrieb – Wischmopphalter installieren

A. Bringen Sie das Wischtuch am Wischmopphalter an.



B. Bringen Sie den Wischmopphalter am Saugroboter an.

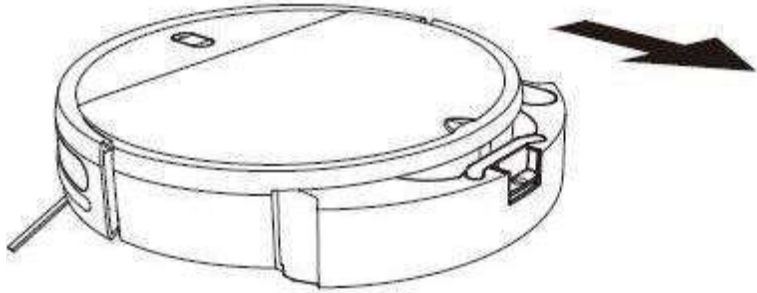


Betrieb – Wassertank

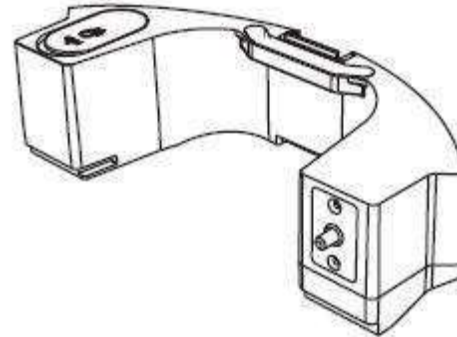
* Verwenden Sie die Wischfunktion nicht auf Teppichen.

* Reinigen Sie nach dem Wischen den Wassertank und nehmen Sie das Wischtuch ab.

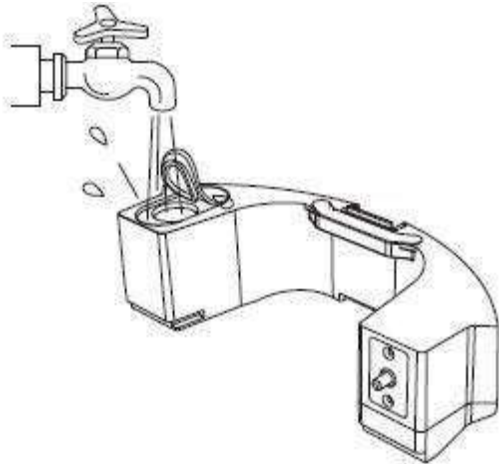
A. Nehmen Sie den Wassertank heraus.



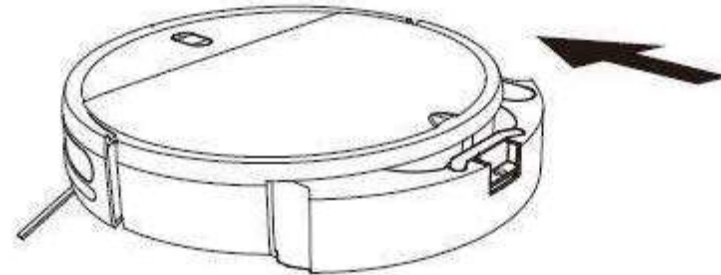
C. Schließen Sie den Gummistopfen.



B. Öffnen Sie den Gummitopfen und füllen Sie Wasser ein.

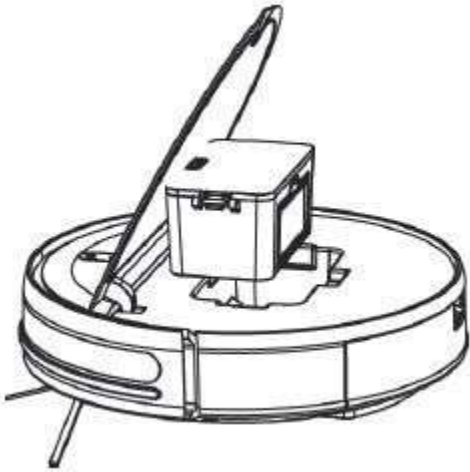


D. Setzen Sie den Wassertank in den Saugroboter ein.



Wartung – Staubbehälter

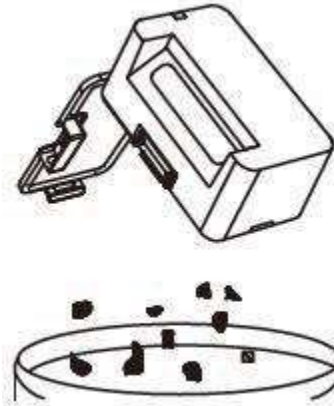
A. Drücken Sie den Entriegelungsknopf am Staubbehälter, um ihn zu entfernen.



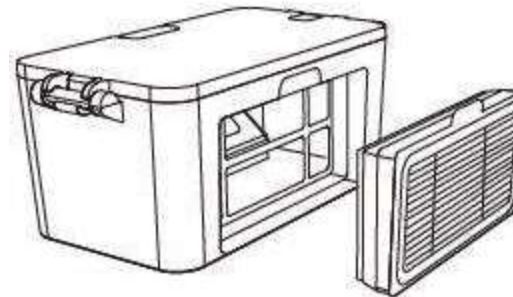
B. Öffnen Sie den Staubbehälter an der Seite.



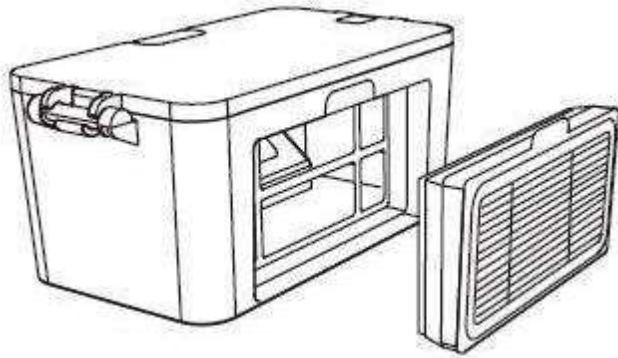
C. Entleeren Sie den Staubbehälter.



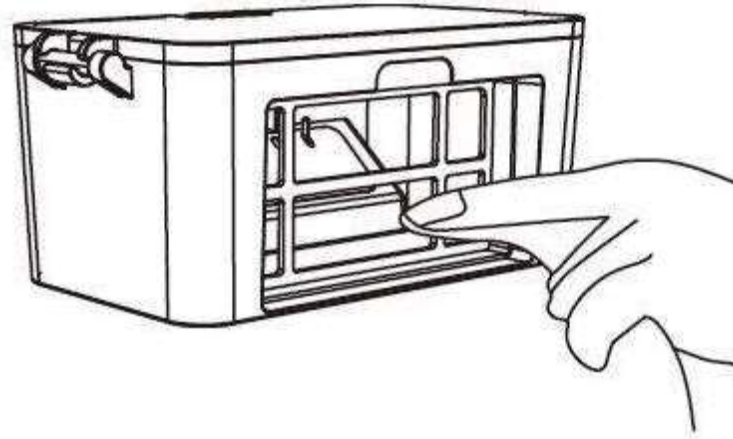
D. Nehmen Sie den HEPA-Filter heraus.



E. Klopfen Sie den HEPA-Filter vorsichtig aus.



G. Wischen Sie den Staubbehälter ab.

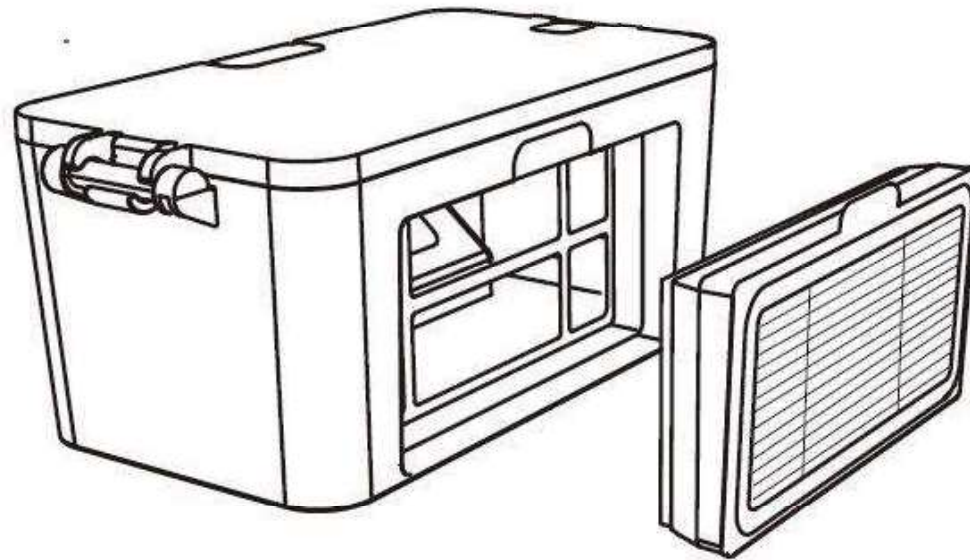
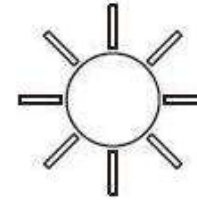


F. Waschen Sie den HEPA-Filter.



H. Trocknen Sie Staubbehälter und Filterkomponenten, um ihre Lebensdauer zu gewährleisten.

Hinweis: Wir empfehlen, den HEPA-Filter alle 15 bis 30 Tage zu waschen. Die maximale Nutzungsdauer des HEPA-Filters beträgt drei Monate.



I. Setzen Sie den HEPA-Filter wieder in den Staubbehälter ein.

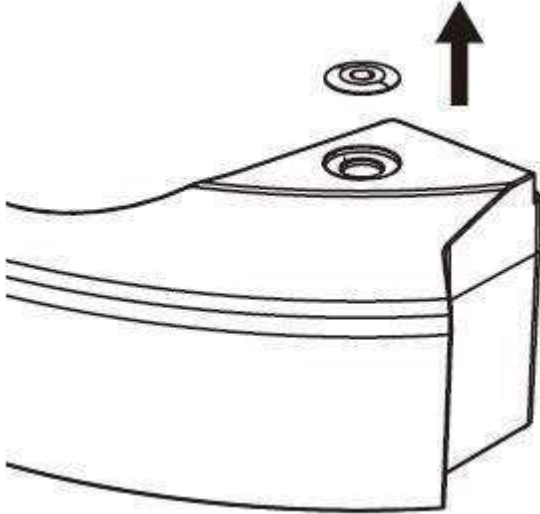
Hinweis: 1. Vergewissern Sie sich vor dem Einsetzen des HEPA-Filters, dass er trocken ist.

2. Setzen Sie den HEPA-Filter nicht direkter Sonneneinstrahlung aus.

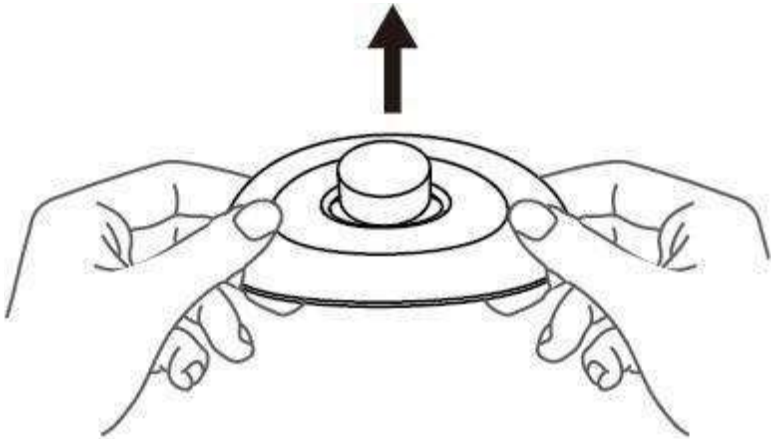
J. Schließen Sie den Deckel des Staubbehälters und setzen Sie ihn in den Saugroboter ein.

Wartung – Baumwollfilter

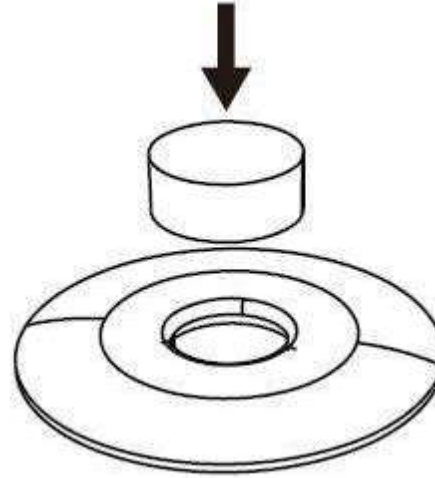
A. Nehmen Sie den Gummistopfen heraus.



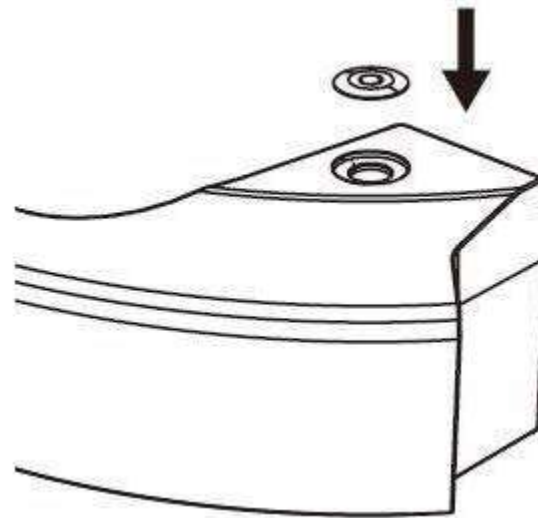
B. Nehmen Sie den Baumwollfilter aus dem Gummistopfen heraus.



C. Ersetzen Sie ihn durch einen neuen Baumwollfilter.



D. Setzen Sie den Gummistopfen wieder ein.

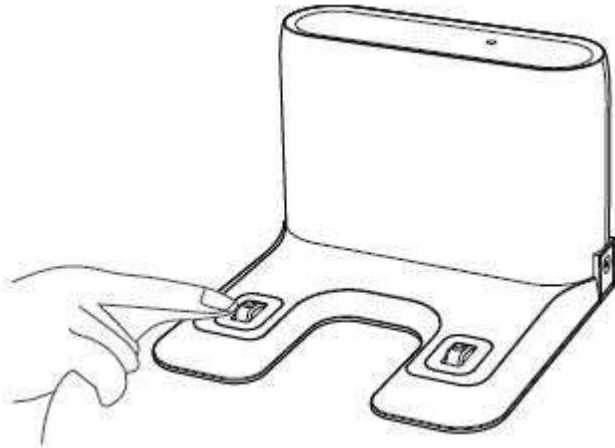


Wartung – Ladkontakte, unterer optischer Sensor, Antriebsrad und Universalrad

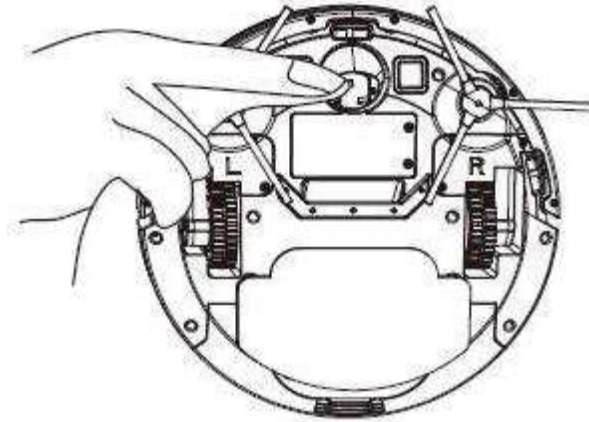
Hinweis: Die Ladkontakte, der untere optische Sensor und der Stoßfänger enthalten empfindliche elektronische Bauteile. Verwenden Sie ein trockenes Tuch, um die Teile zu reinigen.

Verwenden Sie kein nasses Tuch, da Wasser in die Bauteile eindringen und sie beschädigen kann.

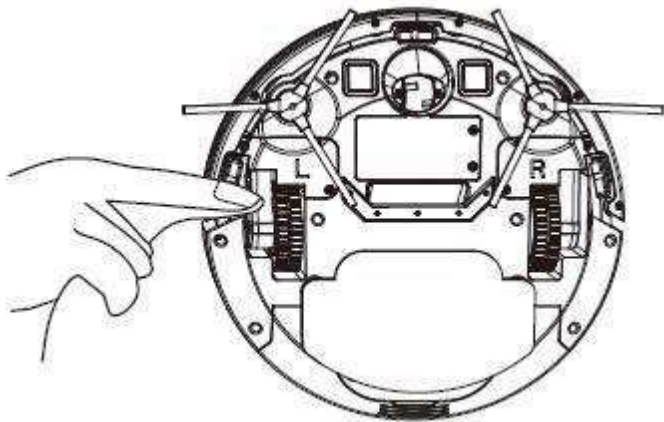
Ladkontakte reinigen



Antriebsrad und Universalrad reinigen



Unteren optischen Sensor reinigen



- * Wenn Sie das Gerät über einen längeren Zeitraum nicht benutzen, laden Sie es vollständig auf und schalten Sie es dann aus, bevor Sie es einlagern. Laden Sie das Produkt alle drei Monate auf, um eine Tiefentladung des Akkus zu vermeiden.
- * Wenn der Akku tiefentladen ist oder über einen längeren Zeitraum nicht benutzt wird, ist das Produkt möglicherweise nicht mehr aufladbar. Wenden Sie sich zwecks Reparatur an den Kundendienst. Demontieren Sie das Produkt nicht.

LED-Anzeigen

Der Saugroboter verfügt über zwei LEDs. Die obere dient zur Anzeige der Stromversorgung und die untere zur Anzeige des Ladevorgangs. Die LEDs haben drei Farben: rot, grün und gelb. Die LEDs können aus sein oder leuchten, schnell oder langsam blinken.

Komponente	Gerätestatus	LED-Status			
		Ein/Aus-Taste		Laden	
		Farbe	Status	Farbe	Status
1	Eingeschaltet	Grün	Leuchtet		Erloschen
2	Ausgeschaltet		Erloschen		Erloschen
3	Reinigung	Grün	Erloschen		Erloschen
4	Laden	Grün	Leuchtet	Gelb	Leuchtet
5	Akku schwach, laden	Grün	Leuchtet	Rot	Leuchtet
6	Laden läuft	Grün	Leuchtet	Grün	Blinkt langsam
7	Laden beendet	Grün	Leuchtet	Grün	Leuchtet
8	WLAN-AP	Grün	Blinkt schnell	Grün	Blinkt schnell
9	WLAN verbunden	Grün	Leuchtet		Erloschen
10	Warnung	Rot	Blinkt schnell		Erloschen
11	Standby-Modus	Grün	Leuchtet		Erloschen
12	Ruhemodus		Erloschen		Erloschen
13	Akku schwach	Rot	Blinkt schnell		Erloschen
14	Nicht kalibriert	Rot	Blinkt schnell	Rot	Blinkt schnell
15	Kalibriert	Grün	Leuchtet		Erloschen

Technische Daten

Kategorie	Komponente	Spezifikationen
Maße	Durchmesser	300 mm
	Größe	74 mm
Akku	Gewicht (Netto)	2,5 kg
	Akku Spannung	14,4 V
	Akku	2500 mAh Lithium-Akku
Leistung	Volumen Staubbehälter	200 ml
	Ladearten	Automatisches und manuelles Laden
	Reinigungsmodi	Automatische Reinigung, punktuelle Reinigung, Kantenreinigung
	Ladedauer	Ca. 300 Minuten
Saugroboter	Reinigungsdauer	Ca. 100 Minuten
	Leistung (W)	28
	Betriebsspannung (V)	14,4

* Aufgrund der kontinuierlichen Verbesserung des Produkts sind die technischen Daten vom tatsächlichen Produkt abhängig. Wir behalten uns das Recht vor, das Produkt zu aktualisieren.

Bitte beachten Sie – Alle Produkte können stillschweigend geändert werden. Irrtümer und Auslassungen in der Bedienungsanleitung vorbehalten.

ALLE RECHTE VORBEHALTEN, URHEBERRECHTE DENVER A/S



denver.eu



Elektrische und elektronische Geräte einschließlich Batterien enthalten Materialien, Komponenten und Substanzen, welche für Sie und Ihre Umwelt schädlich sein können, wenn die Abfallmaterialien (entsorgte elektrische und elektronische Altgeräte und Batterien) nicht korrekt gehandhabt werden.

Elektrische und elektronische Geräte sowie Batterien sind mit der vorstehend abgebildeten durchgestrichenen Mülltonne gekennzeichnet. Dieses Symbol zeigt Ihnen, dass elektrische und elektronische Altgeräte sowie Batterien nicht mit dem Hausmüll entsorgt werden dürfen, sondern getrennt zu entsorgen sind.

Als Endverbraucher ist es wichtig, dass Sie Ihre verbrauchten Batterien bei den entsprechenden Sammelstellen abgeben. Auf diese Weise stellen Sie sicher, dass die Batterien entsprechend der Gesetzgebung recycelt werden und keine Umweltschäden verursachen.

Alle Städte und Gemeinden haben Sammelstellen eingerichtet, an denen elektrische und elektronische Altgeräte sowie Batterien kostenfrei zum Recycling abgegeben werden können oder die sie von den Haushalten einsammeln. Weitere Informationen erhalten Sie bei der Umweltbehörde Ihrer Stadt/Gemeinde.

Hiermit erklärt Denver A/S, dass der Funkanlagentyp RVC-110 der Richtlinie 2014/53/EU entspricht. Den vollständigen Text der EU-Konformitätserklärung finden Sie unter der folgenden Internetadresse: denver.eu und klicken Sie dann auf das SYMBOL Suche in der obersten Leiste der Webseite. Geben Sie die Modellnummer ein: RVC-110. Sie gelangen nun zur Produktseite, auf der Sie die Funkgeräte richtlinie (Richtlinie 2014/53/EU) unter downloads/other downloads finden können.

Betriebsfrequenzbereich: 2400MHz-2483.5MHz

Max. Ausgangsleistung: 19dBm

DENVER A/S

Omega 5A, Soeften

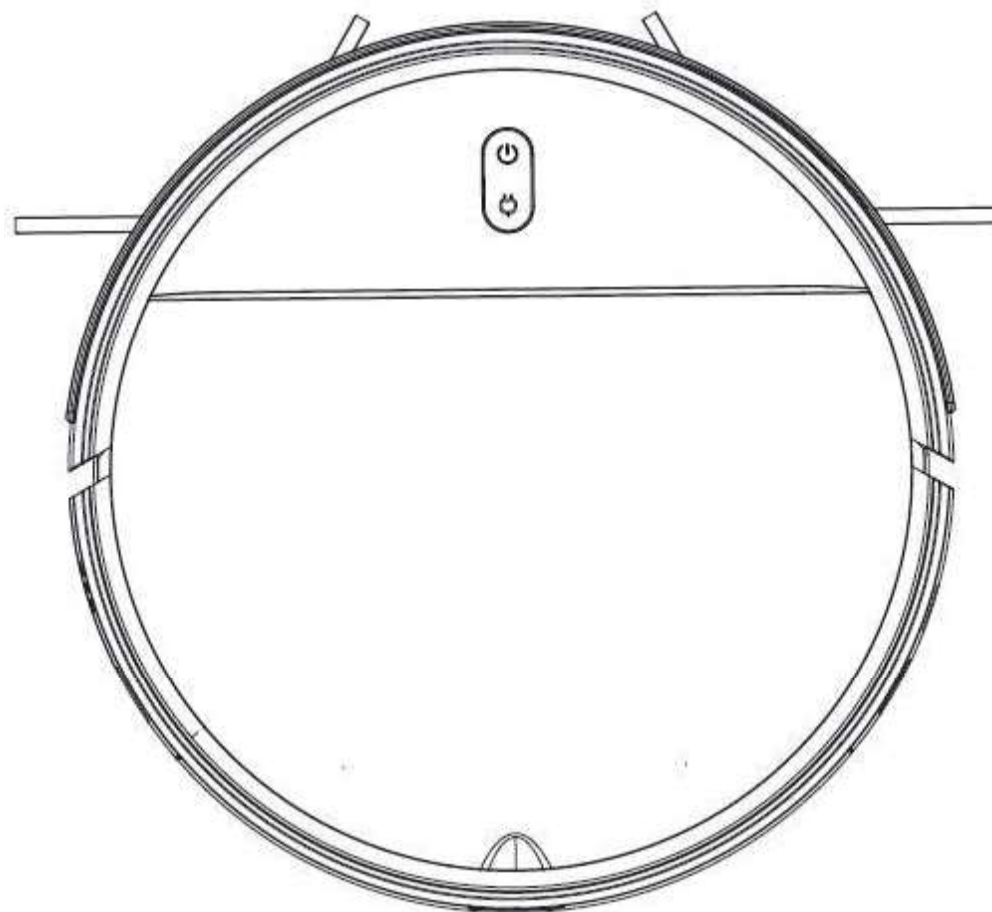
DK-8382 Hinnerup

Dänemark

www.facebook.com/denver.eu

Brugervejledning til robotstøvsuger

Model: RVC-110



www.denver.eu

facebook.com/Denver.eu

Sikkerhedsanvisninger

Læs omhyggeligt sikkerhedsanvisningerne, før du tager produktet i brug første gang, og gem vejledningen til senere brug.

1. Hold produkterne udenfor børns og kæledyrs rækkevidde, så ingen tygger på dem eller sluger dele derfra.
2. Advarsel: Produktet indeholder et litium-ion-batteri.
3. Produktet må aldrig åbnes. Må kun åbnes af en fagmand. Det anbefales, at bruger ikke selv foretager service eller reparationer.
4. Må kun oplades med den medfølgende oplader. Brug kun originalt tilbehør sammen med produktet, da produktet ellers vil kunne fungere unormalt.
5. Undlad at berøre kabelstik eller dele af kabinettet, mens enheden gør rent.
6. Sid ikke på produktet.
7. Inden du tager produktet i brug, skal du fjerne alle skrøbelige genstande, som fx lamper, glasgenstande, gardiner og andre forhindringer, der kan sætte sig fast i børsterne eller indsugningen.
8. Undlad at knække ledninger eller placere tunge genstande ovenpå apparatet.
9. Dette produkt er til brug i en husholdning. Produktet er beregnet til brug indendørs og i tørre omgivelser. Må ikke anvendes udendørs.
10. Undlad at anvende dette produkt i fugtige omgivelser, som fx på et badeværelse.
11. Undgå ulykker ved at informere andre i husstanden om det, når produktet kører.
12. Tøm støvbeholderen inden brug. En fuld støvbeholder vil påvirke rengøringseffektiviteten og reducere sugeevnen.
13. Produktets drifts- og opbevaringstemperatur ligger fra 0 °C til 40 °C. Omgivelser uden for dette interval kan muligvis påvirke produktets funktionalitet.
14. Brug kun med det originale genopladelige batteri og ladestation, der er leveret af producenten. Det er strengt forbudt at bruge ikke-genopladelige batterier, se afsnittet "produktparametre" for oplysninger om batterispecifikationer.
15. Brug ikke produktet på steder med åben ild eller skrøbelige genstande.
16. Det er forbudt at anvende produktet under temperaturforhold med stærk varme (over 40 grader) eller stærk kulde (under 0 grader). Garantien dækker ikke skader opstået på denne måde.
17. Berør ikke produktet, når det er tændt og gør rent. Hold hår, fingre og andre kropsdele på afstand af produktets åbninger.
18. Produktet må ikke anvendes på sten- eller papiraffald, da disse kan tilstoppe det.
19. Produktet kan ikke opsuge brændende partikler som fx cigaretter, tændstikker, aske osv., der kan forårsage brand.
20. Sørg for at holde produktet på afstand af brandbare substanser som fx toner til printer og fotokopimaskine samt brandbare væsker.
21. Undlad at placere genstande i indsugningsåbningen. Brug ikke produktet, hvis indsugningen er blokeret. Fjern støv, vat, hår osv. fra indsugningsåbningen for at sikre, at luften kan passere frit igennem.
22. Pas på ikke at beskadige ledningen. Undlad at trække, slæbe eller bruge ledningen som bærehåndtag, når du flytter ladestationen.
23. Placér ikke ledningen i døråbninger eller på andre steder, hvor den kan forårsage skade. Sørg for, at der er frirum omkring ledningen og ladestationen.
24. Brug aldrig en beskadiget ladestation eller ledning.
25. Advarsel: Denne fjernbetjening indeholder AAA-batterier. Brug kun AAA-batterier i fjernbetjeningen.

26. Brug aldrig gamle og nye batterier sammen eller forskellige batterityper sammen. Tag batterierne ud, hvis du ikke skal bruge produktet i længere tid. Tjek batteriernes polaritet (+/-), når du sætter dem i produktet. Forkert ilagte batterier kan forårsage en eksplosion. Batterier medfølger ikke.
27. Adapteren til ladestationen fungerer som hovedkontakt, og der skal altid være let adgang til denne. Sørg for, at der er tilstrækkelig med plads omkring stikkontakten, så der altid er let adgang.

Oversigt over produktet – Indholdet i pakken



1x Robotstøvsuger



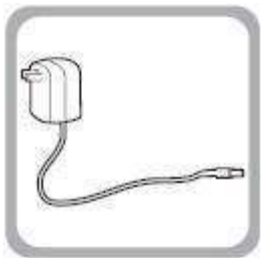
1x Ladestation



2x Batteri



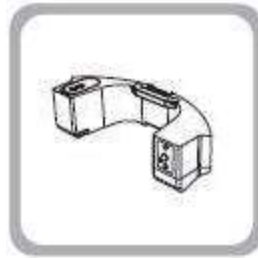
1x Fjernbetjening



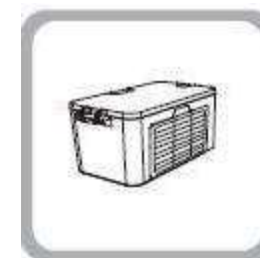
1x Adapter



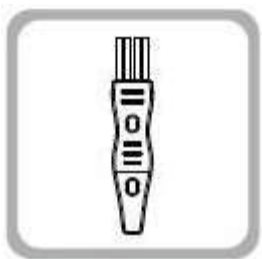
1x Moppeholder med klud



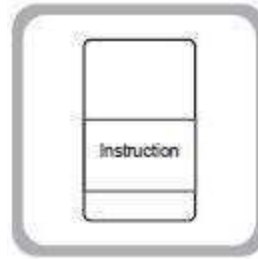
1x Vandtank



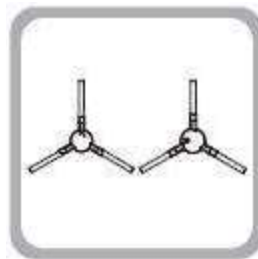
1x Støvbeholder



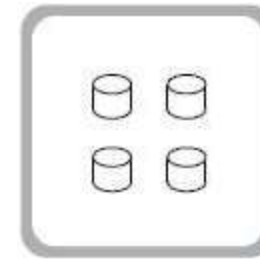
1x Rengøringsbørste



1x Brugervejledning



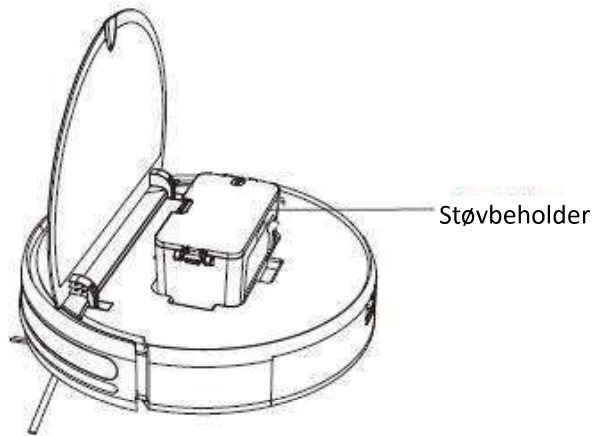
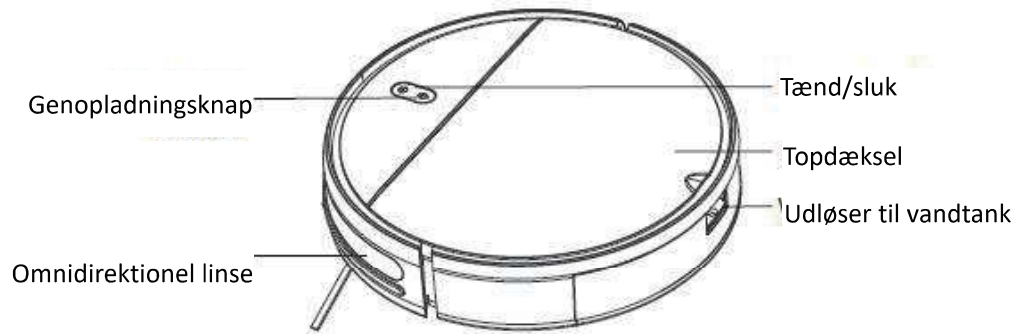
2x Sidebørste



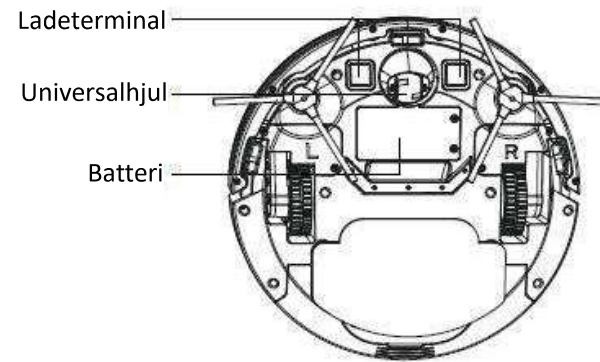
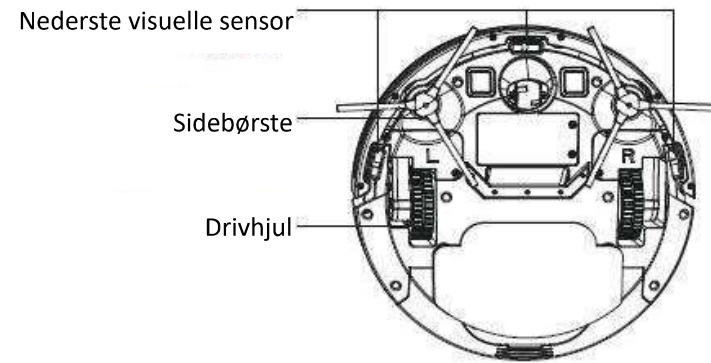
4x Bomuldsfilter

Oversigt over produktet – De enkelte dele

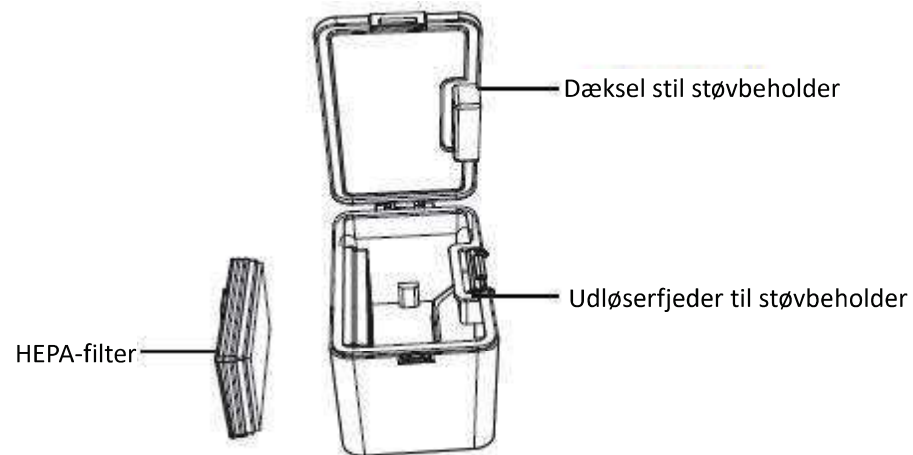
Hovedenhedens overside



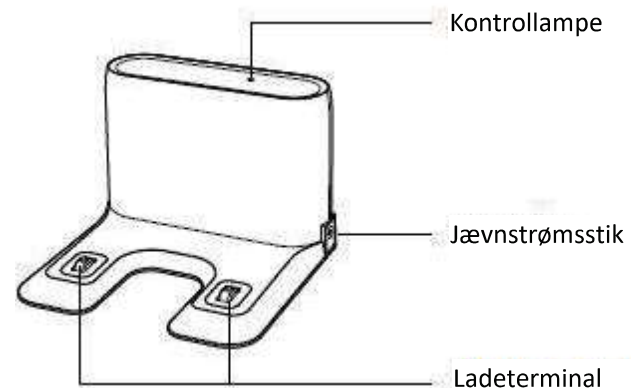
Hovedenhedens underside



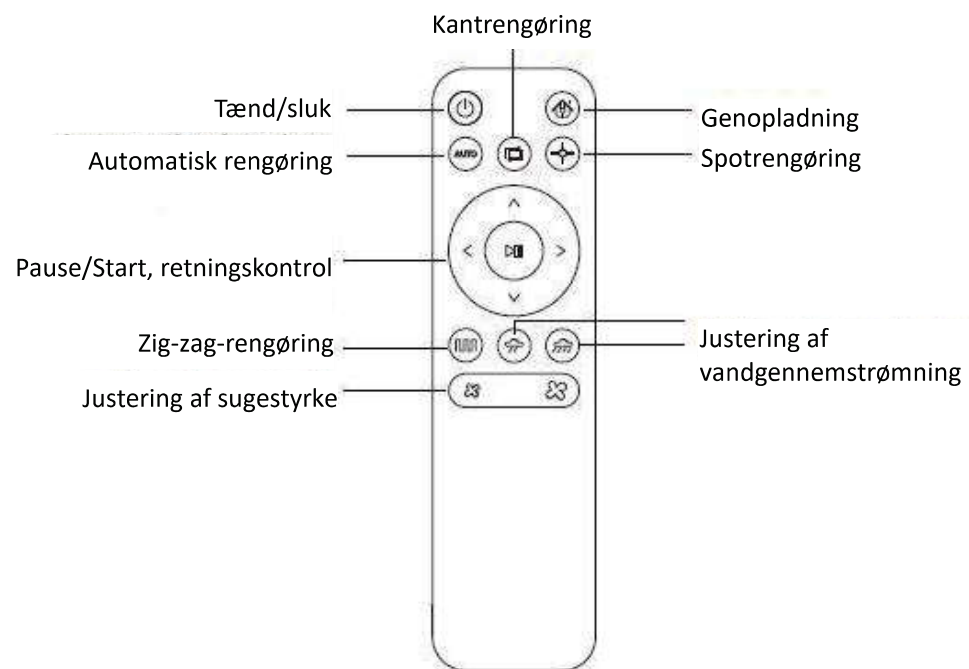
Støvbeholder



Ladestation



Fjernbetjening

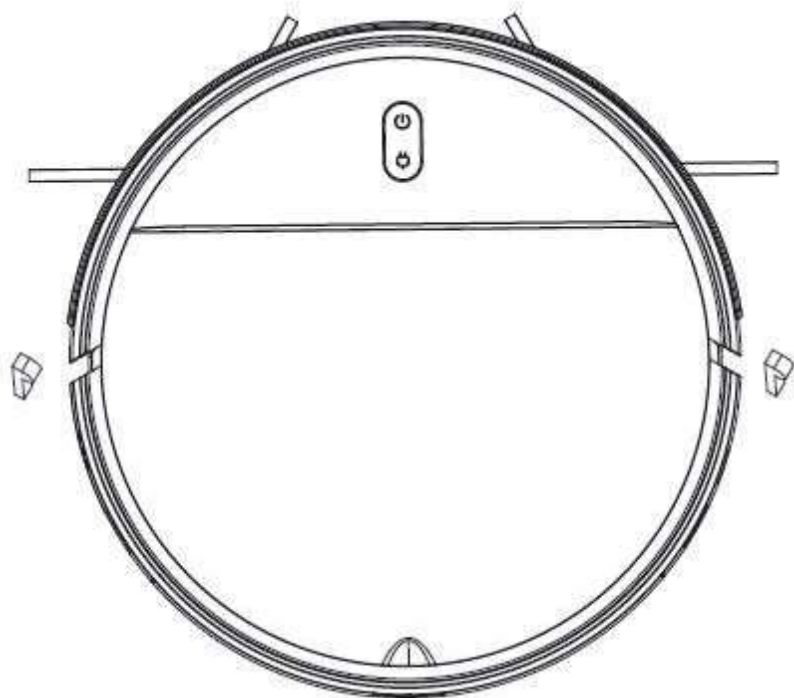


Klargøring

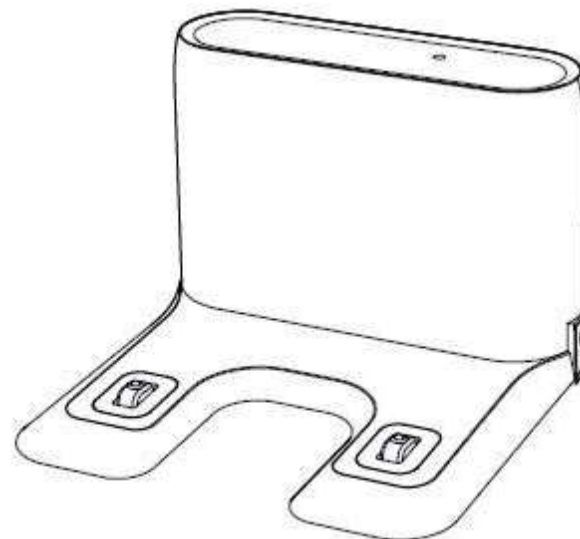
Fjern beskyttelsesstrippene

Inden du tager støvsugeren i brug, skal du fjerne beskyttelsesstrippene fra den.

Fjern beskyttelsesstrippene

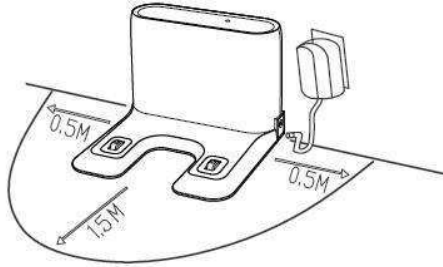


Fjern beskyttelsesfolien

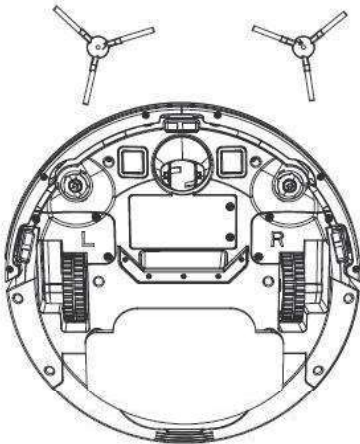


Anvendelse af produktet – Opladning af robotstøvsugereren

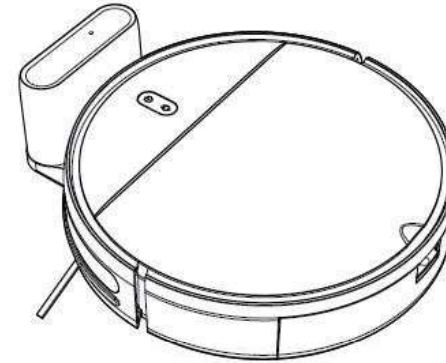
1. Placér ladestationen på et plant underlag op mod en væg. Hold et område på 0,5 m til venstre og højre for ladestationen samt 1,5 m foran den fri for forhindringer.




2. Slut ladestationen til en stikkontakt.
3. Sæt venstre og højre sidebørster på.



4. Opladning: Placér hovedenheden i ladestationen for at oplade den. Kontrollampen blinker under opladningen. Når opladningen er færdig, lyser kontrollampen konstant. Det tager ca. fem timer at oplade hovedenheden helt.



Under rengøringen tjekker hovedenheden automatisk selv sit batteriniveau.

Hvis der ikke er strøm nok, vender den automatisk tilbage til ladestationen for opladning. Alternativt kan du trykke på knappen  på fjernbetjeningen for at beordre hovedenheden tilbage til ladestationen.

Forsigtig:

1. Brug ikke ladestationen på steder med reflekser, som fx steder udsat for direkte sollys og steder med spejle i nærheden. Hvis der er reflekterende genstande, skal du tildække ladestationen i en højde af 7 cm fra bunden.
2. For at sikre hovedenhedens normale drift, skal du oplade den helt inden første ibrugtagning. Opladningen tager ca. fem timer.
3. For at give en sikker opladning og forhindre en fugtig klud i at beskadige gulvet, skal du fjerne vandtanken inden opladningen af hovedenheden.

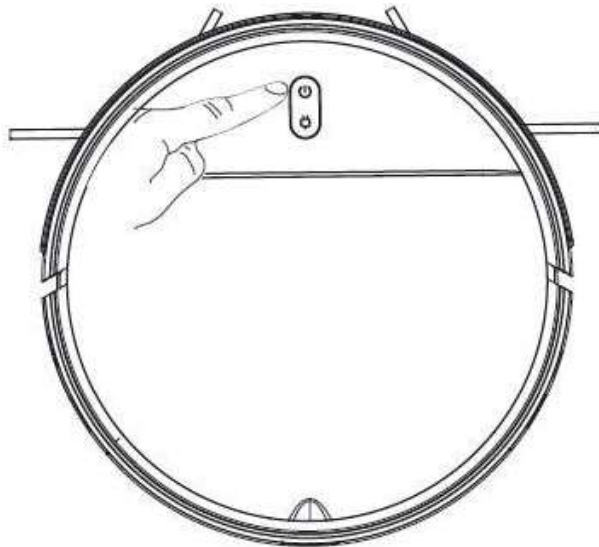
Anvendelse af produktet – Start rengøring

Dette produkt tilbyder forskellige rengøringstilstande, du kan vælge imellem til forskellige rengøringsbehov. Du kan aktivere de forskellige rengøringstilstande på hovedenheden eller på fjernbetjeningen.

Robotstøvsugeren er ikke bygget til at forcere dørtrin og andre forhindringer.


Automatisk rengøring

Indstilling: Hold tænd/slukknappen inde, mens enheden er slukket. Når kontrollampen på hovedenheden lyser op, betyder det, at hovedenheden er tændt. Du skal nu trykke på tænd/slukknappen igen for at starte rengøringen.




Spotrengøring

Anvendelsesområder: Rengøringstilstanden er velegnet til områder på gulvet, hvor der har samlet sig snavs. Hovedenheden rengør det markerede område i en spiralbevægelse og vender tilbage til udgangspunktet efter rengøringen.

Indstilling: Tryk på knappen  på fjernbetjeningen for at aktivere rengøring af et bestemt område.


Kantrengøring

Anvendelsesområder: Rengøringstilstanden er velegnet til rengøring af hjørner indendørs. Hovedenheden rengør området langs kanterne af en fast genstand (fx en væg) og vender tilbage til ladestationen efter rengøringen.


Indstilling: Tryk på knappen  på fjernbetjeningen for at aktivere og styre rengøring langs en kant.

Manuel styring

Anvendelsesområder: Du kan styre rengøringsrute og -område med retningsknapperne på fjernbetjeningen.

Indstilling: Tryk på knappen  på fjernbetjeningen for at styre, om produktet skal bevæge sig fremad, baglæns eller dreje.

Anvendelse af produktet – Pause, vækning og nedlukning

Pause: Når hovedenheden kører, kan du trykke på tænd/slukknappen på enheden eller på pauseknappen  på fjernbetjeningen for midlertidigt at afbryde rengøringen.

Vækning: Hvis hovedenheden har været afbrudt i mere end 10 minutter, går den automatisk i dvale (kontrollampen på hovedenheden slukker). Tryk på tænd/slukknappen på hovedenheden for at tænde den igen, eller tryk på tænd/slukknappen på fjernbetjeningen for at genstarte hovedenheden.

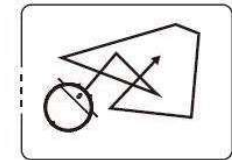
Nedlukning: Når hovedenheden er standset, skal du holde tænd/slukknappen på hovedenheden inde. Når kontrollampen på hovedenheden er slukket, er produktet lukket ned.

* Når hovedenheden er færdig med rengøringen, anbefales det, at du lukker den ned. Sæt hovedenheden til opladning, så den er klar til næste gang.

Rengøringstilstande

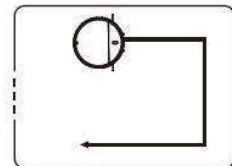
1. Automatisk rengøring

Robotten rengør vilkårligt i 90 minutter, og når rengøringen er færdig, kører den automatisk tilbage til ladestationen for genopladning.



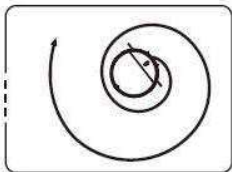
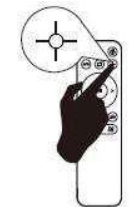
2. Kantrengøring

Robotten udfører kantrengøring med en afstand på under 2 cm til væggen.



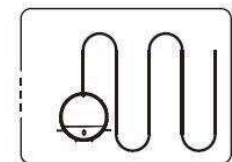
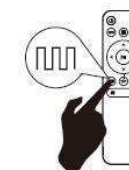
3. Spotrengøring

Robotten starter rengøringen i en udadgående spiralbevægelse, og bevæger sig dernæst i en indadgående spiralbevægelse, når den har nået sin maksimale radius på 0,6 meter. Robotten afslutter rengøringen og vender tilbage til udgangspunktet.



4. Zig-zag-rengøring

I tilstanden zig-zag-rengøring er den længste rengøringsdistance 5 meter i lige linje.



Anvendelse af produktet – Wi-fi-tilslutning

1. Hent/registrér appen

Scan QR-koden her, eller søg efter “Tuya Smart” i din appstore, og hent den. Følg betjeningsvejledningen i appen for at oprette et konto.

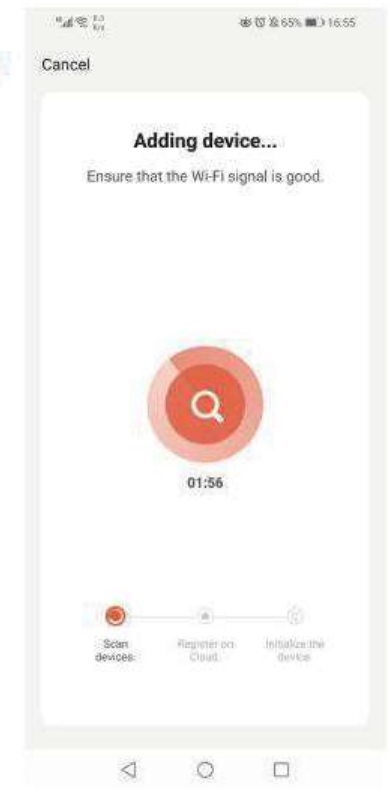
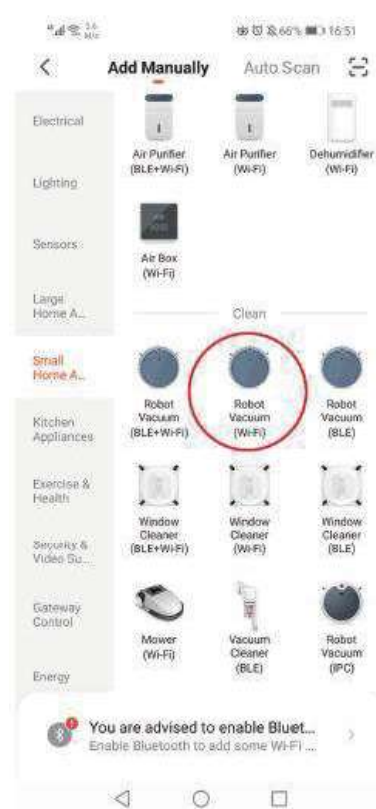
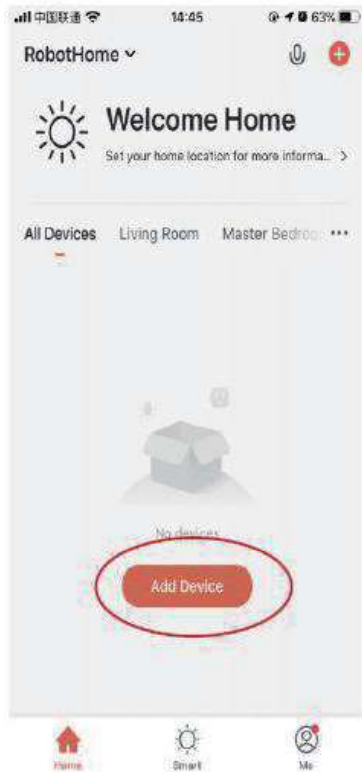


2. Wi-fi-tilslutning

Der er to wi-fi-tilslutningstilstande: **EZ-tilstand** og **AP-tilstand**.

(1) EZ-tilstand:

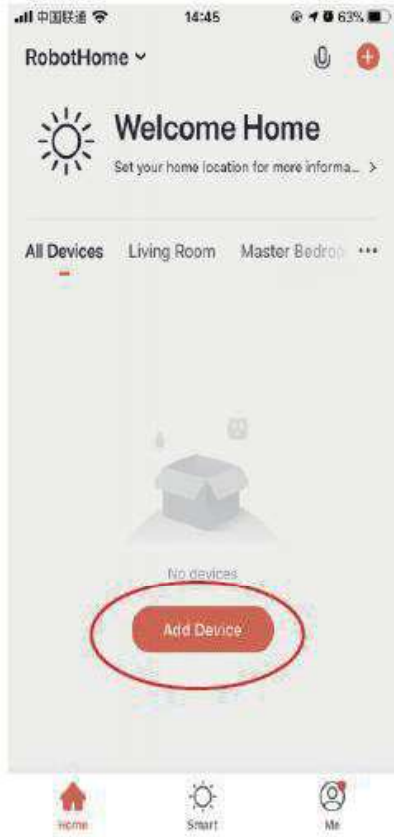
1. Tænd robotten, og hold genopladningsknappen inde i 3 sekunder for at aktivere EZ-tilstand. Du hører et bip. Kontrollampen for strøm blinker gult.



2. Log ind på din Tuya-app, og klik på "Tilføj enhed".
3. Vælg "Lille husholdningsapparat", og vælg dernæst "Wi-fi robotstøvsuger".
4. Vælg 2,4 GHz wi-fi-netværk, og indtast navn og adgangskode til wi-fi-netværket. Tryk dernæst på "Næste".
5. Vælg EZ-tilstand, klik på "Bekræft, at kontrollampen blinker hurtigt" og "Næste". Vent, mens forbindelsen oprettes.

(2) AP-tilstand:

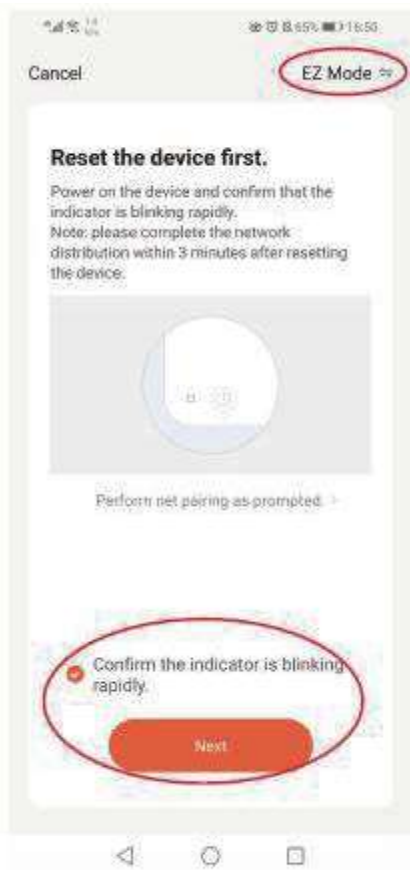
1. Tænd robotten, og hold genopladningsknappen inde i 6 sekunder for at aktivere AP-tilstand. Du hører to bip. Kontrollampen for strøm blinker gult.



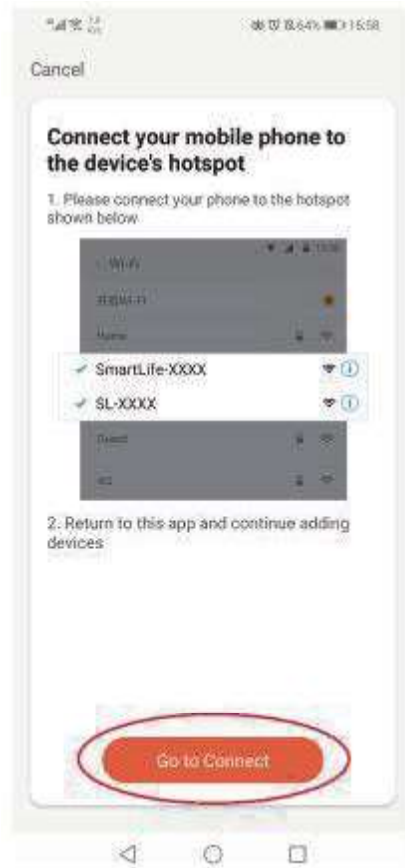
2. Log ind på din Tuya-app, og klik på "Tilføj enhed".

3. Vælg "Lille husholdningsapparat", og vælg dernæst "Wi-fi robotstøvsuger".

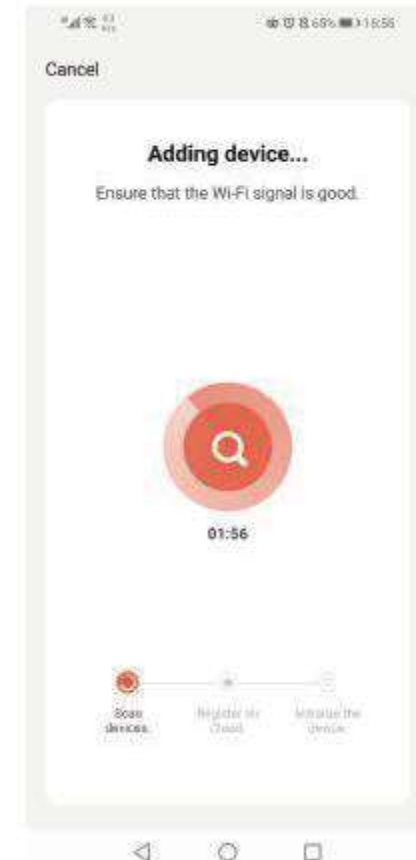
4. Vælg 2,4 GHz wi-fi-netværk, og indtast navn og adgangskode til wi-fi-netværket. Tryk dernæst på "Næste".



5. Vælg AP-tilstand, og klik på "Bekræft, at kontrollampen blinker langsomt" og "Næste".



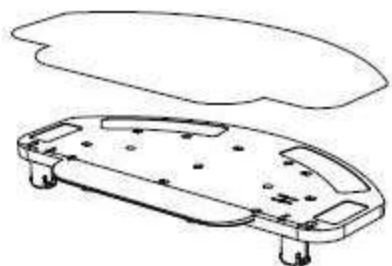
6. Opret forbindelse til det wi-fi-hotspot, hvis navn starter med "SmartLife XXX".



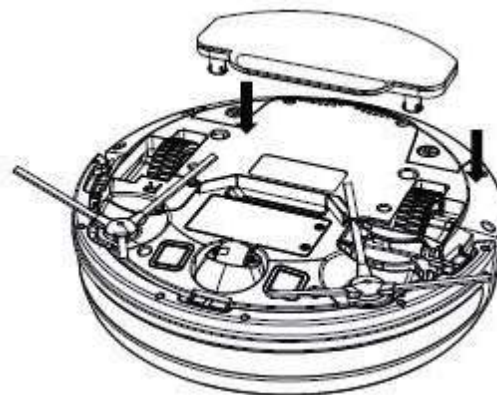
7. Når der er oprettet forbindelse til wi-fi-hotspottet, skal du gå tilbage til appen Tuya og vente på meddelelse om, at der er oprettet forbindelse til robotten.

Anvendelse af produktet – Påsætning af moppeholder

A. Sæt moppekluden på moppeholderen;



B. Sæt moppeholderen på robotten;

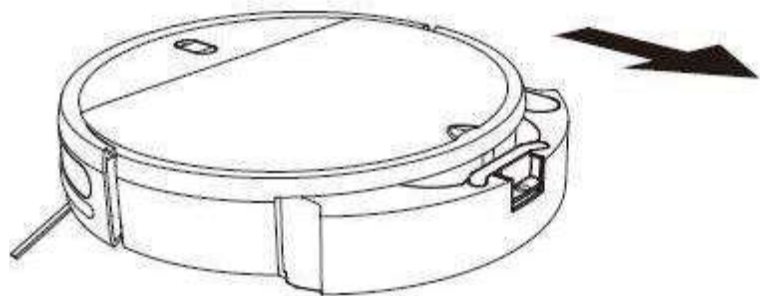


Anvendelse af produktet – Vandtank

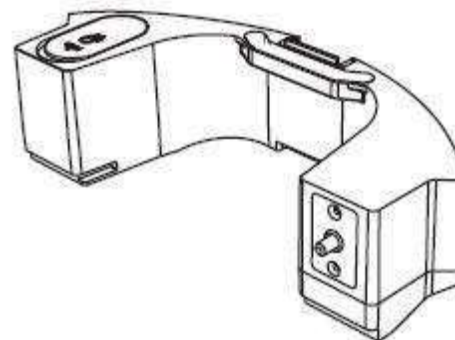
* Brug ikke moppefunktionen på gulvtæpper.

* Når mopningen er færdig, skal du rengøre vandtanken og tage moppekluden af med det samme.

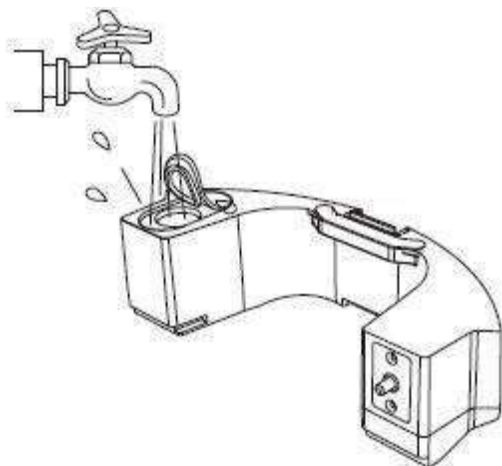
A. Tag vandtanken ud;



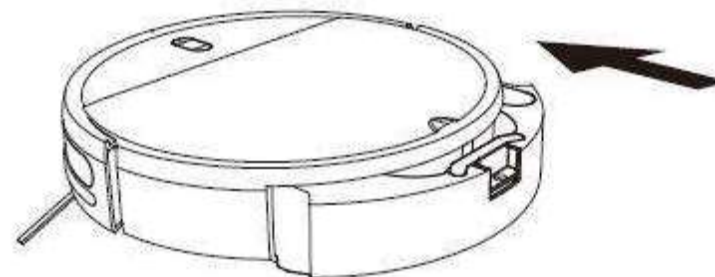
C. Skub gummiproppen helt ned;



B. Åbn gummiproppen, og hæld vand på;

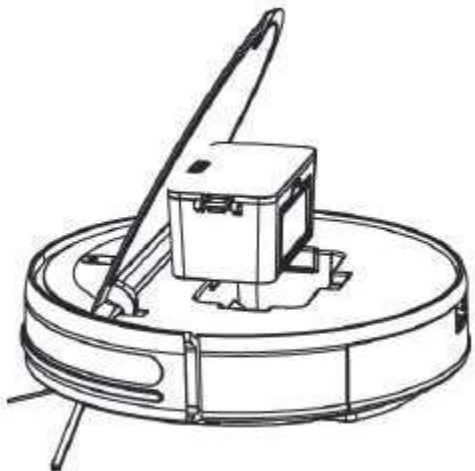


D. Sæt vandtanken i robotten.

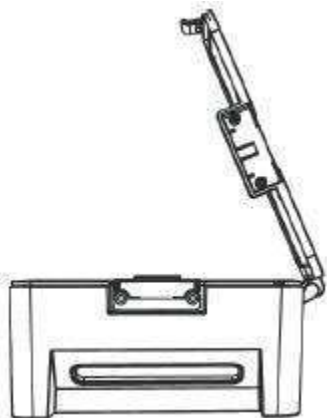


Vedligeholdelse – Støvbeholder

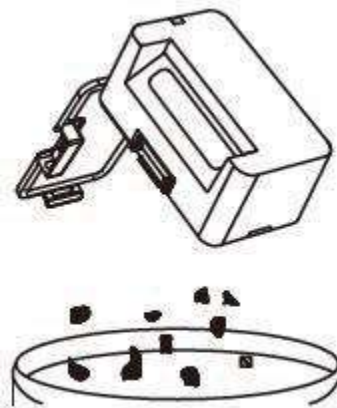
A. Tryk på knappen på støvbeholderen for at tage den ud.



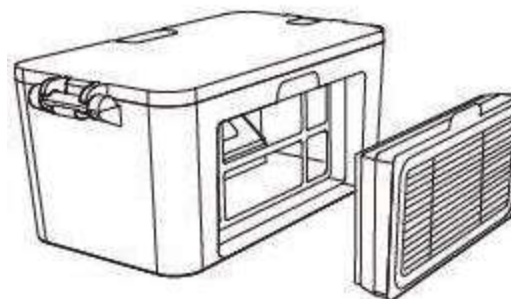
B. Åbn sidedækslet på støvbeholderen.



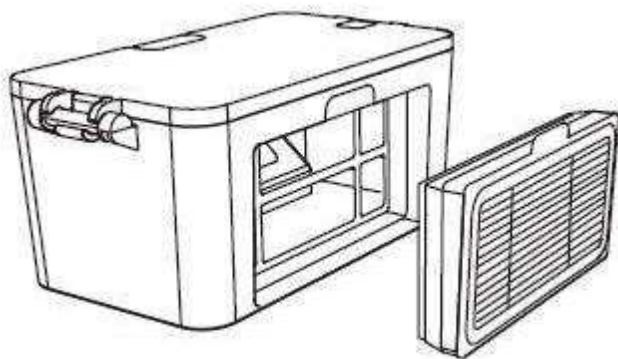
C. Tøm beholderen.



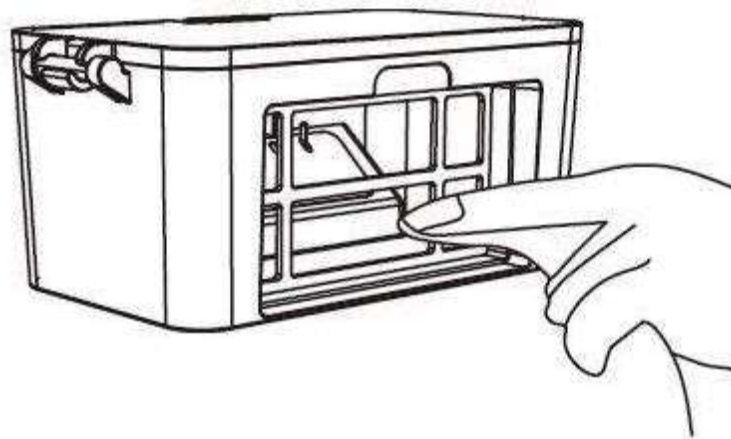
D. Tag HEPA-filteret ud.



E. Bank HEPA-filteret for at fjerne støvet.



G. Rengør støvbeholderen med en klud.

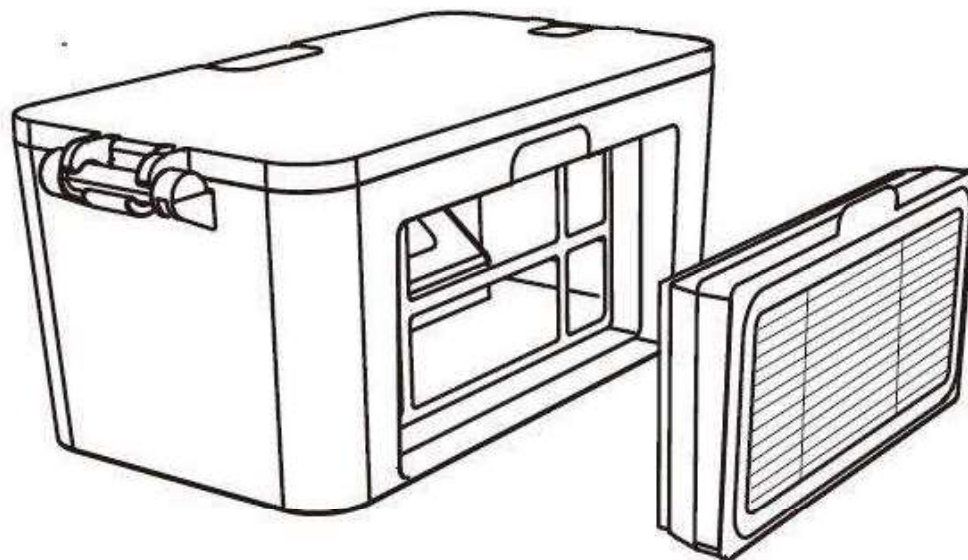
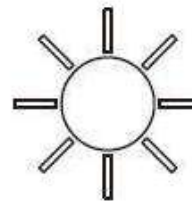


F. Vask HEPA-filteret.



H. Tør støvbeholderen og filteret for at sikre, at de holder længst muligt.

Bemærk: Det anbefales, at du vasker HEPA-filteret hver 15-30 dage. Et HEPA-filter kan maksimalt holde i tre måneder.



I. Sæt HEPA-filteret tilbage i støvbeholderen.

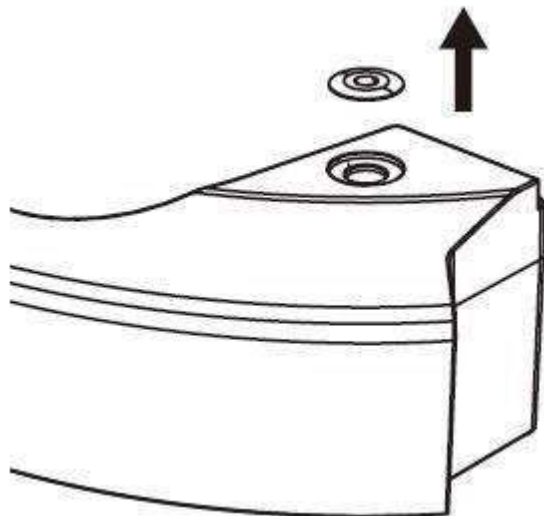
Bemærk: 1. Inden du sætter HEPA-filteret i, skal du sikre dig, at det er tørt.

2. Udsæt ikke HEPA-filteret for sollys.

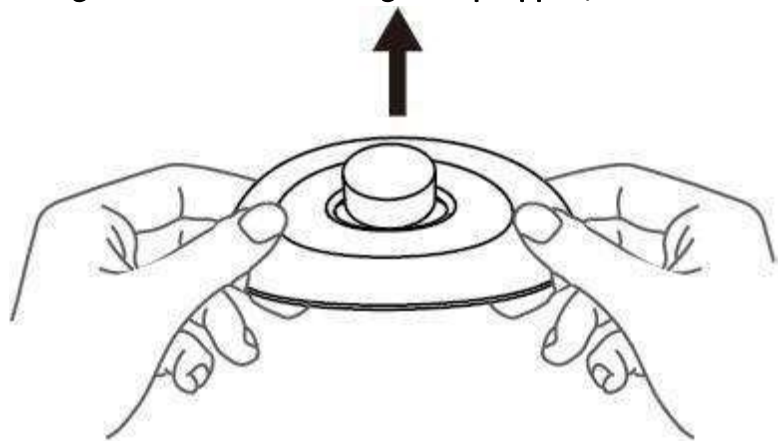
J. Luk låget på støvbeholderen, og sæt den i hovedenheden.

Vedligeholdelse – Bomuldsfilter

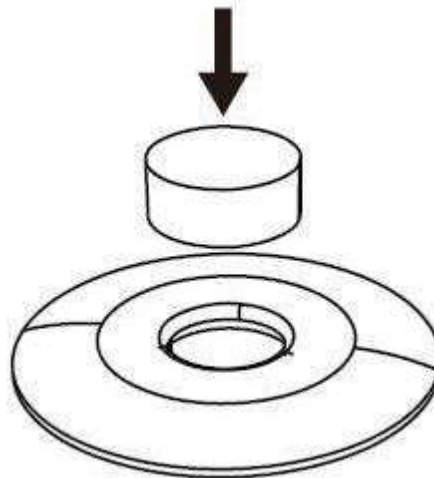
A. Tag gummiproppen ud;



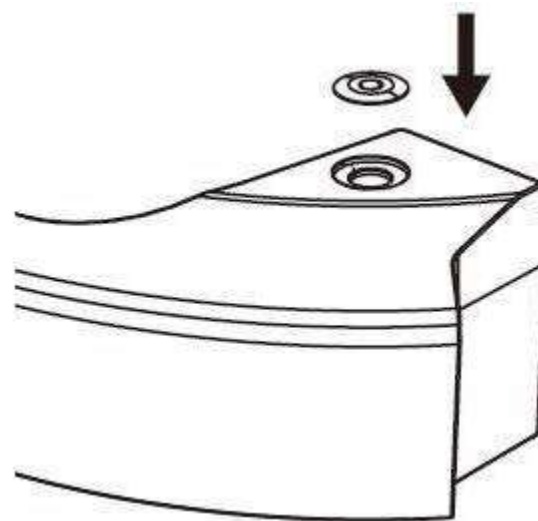
B. Tag bomuldsfilteret ud af gummiproppen;



C. Udskift bomuldsfilteret med et nyt;



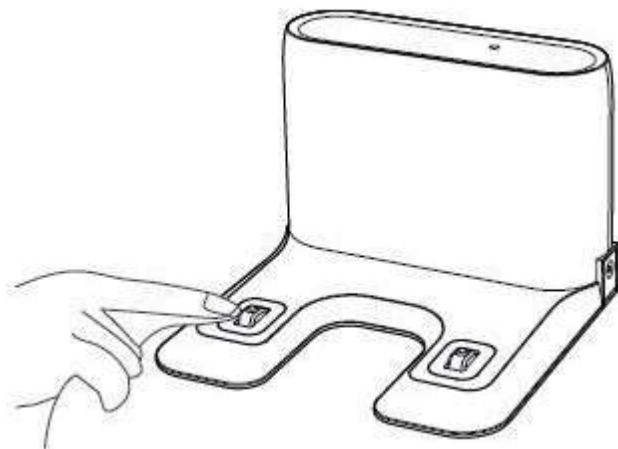
D. Sæt gummiproppen i.



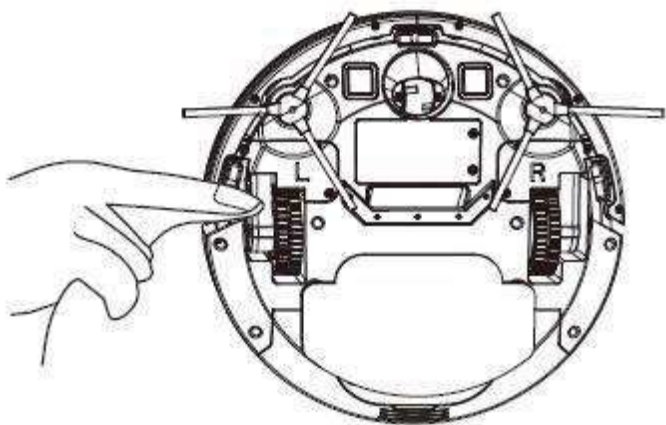
Vedligeholdelse – Ladekontakt, nederste visuelle sensor, drivhjul og universalhjul

Bemærk: Ladekontakten, den nederste visuelle sensor og bumperen indeholder følsomme elektroniske komponenter. Brug en tør klud til rengøring af disse dele. Brug ikke en våd klud, da der kan trænge vand ind i disse dele og forårsage skade.

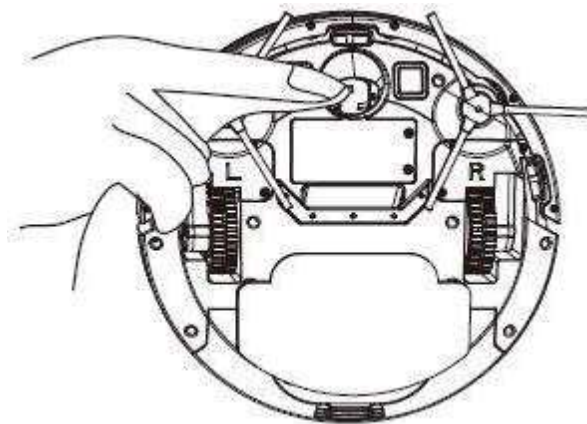
Rengøring af ladekontakten



Rengøring af den nederste visuelle sensor



Rengøring af drivhjulet og universalhjulet



- * Hvis du ikke skal bruge produktet i længere tid, skal du oplade det helt og slukke for det, inden du stiller det væk. Oplad produktet hver tredje måned for at undgå overfladning af batteriet.
- * Hvis batteriet overflades eller ikke bruges i længere tid, kan det muligvis ikke længere genoplades. Kontakt virksomhedens serviceafdeling ved behov for vedligeholdelse. Undlad at skille produktet ad.

Kontrollamper

Robotten har to kontrollamper, den øverste viser om enheden er tændt, den nederste viser batteriniveauet. Lyset har tre farver: rød, grøn og gul. Kontrollampens status henviser til slukket, lyser konstant, blinker hurtigt eller blinker langsomt.

Emne	Enhedsstatus	Kontrollampens status			
		Tænd/sluk		Genoplader	
		Farve	Status	Farve	Status
1	Tændt	Grøn	Lyser konstant		Slukket
2	Slukket		Slukket		Slukket
3	Rengøring	Grøn	Slukket		Slukket
4	Genoplader	Grøn	Lyser konstant	Gul	Lyser konstant
5	Lavt batteri, genopladning	Grøn	Lyser konstant	Rød	Lyser konstant
6	Under opladning	Grøn	Lyser konstant	Grøn	Blinker langsomt
7	Opladning færdig	Grøn	Lyser konstant	Grøn	Lyser konstant
8	Wi-fi-app	Grøn	Blinker hurtigt	Grøn	Blinker hurtigt
9	Wi-fi tilsluttet	Grøn	Lyser konstant		Slukket
10	Advarsel	Rød	Blinker hurtigt		Slukket
11	Standbytilstand	Grøn	Lyser konstant		Slukket
12	Dvaletilstand		Slukket		Slukket
13	Lavt batteriniveau	Rød	Blinker hurtigt		Slukket
14	Ikke kalibreret	Rød	Blinker hurtigt	Rød	Blinker hurtigt
15	Kalibreret	Grøn	Lyser konstant		Slukket

Produktspecifikationer

Kategori	Emne	Specifikationer
Mål og vægt	Diameter	300 mm
	Højde	74 mm
	Nettovægt	2,5 kg
Batteri	Batterikapacitet	14,4 V
	Batteri	2500 mAh genopladeligt lithium-batteri
	Støvbeholderens kapacitet	200 ml
Ydeevne	Opladningstilstande	Automatisk opladning og manuel opladning
	Rengøringstilstande	Automatisk rengøring; Spotrengøring; Kantrengøring
	Opladningstid	Ca. 300 minutter
	Rengøringstid	Ca. 100 minutter
Hovedenhed	Nominal effekt (W)	28
	Driftsspænding (V)	14,4

* Produktet undergår løbende produktudvikling. Ret til ændring i specifikationer forbeholdes. Se det aktuelle produkt. Vi forbeholder os ret til opdatering af produktet.

Bemærk – Ret til uvarslet ændring af alle produkter forbeholdes. Vi tager forbehold for fejl og udeladelser i denne manual.

ALLE RETTIGHEDER RESERVERET, COPYRIGHT DENVER A/S



denver.eu



Elektrisk og elektronisk udstyr samt medfølgende batterier indeholder materialer, komponenter og stoffer, der kan være skadelige for menneskers sundhed og miljøet, hvis affaldet (kasseret elektrisk og elektronisk udstyr og batterier) ikke håndteres korrekt.

Elektrisk og elektronisk udstyr og batterier er mærket med ovenstående symbol med en affaldsspand overstreget med et kryds. Symbolet angiver, at elektrisk og elektronisk udstyr og batterier ikke må bortskaffes sammen med almindeligt husholdningsaffald men skal bortskaffes særskilt.

Det er vigtigt, at du som slutbruger afleverer dine brugte batterier på de hertil beregnede indsamlingssteder. På denne måde er du med til at sikre, at batterierne genanvendes i overensstemmelse med lovgivningen og ikke belaster miljøet.

Alle kommuner har etableret indsamlingsordninger, hvor affald fra elektrisk og elektronisk udstyr samt batterier gratis kan afleveres på genbrugsstationer og andre indsamlingssteder eller blive afhentet direkte fra boligerne. Nærmere information kan fås hos kommunens tekniske forvaltning.

Hermed erklærer Denver A/S, at radioudstyrstypen RVC-110 er i overensstemmelse med direktiv 2014/53/EU. EU-overensstemmelseserklæringens fulde tekst kan findes på følgende internetadresse: denver.eu, og klik på søgeikonet øverst på hjemmesiden. Skriv modelnummeret: RVC-110. Du kommer nu ind på produksiden, hvor RED-direktivet kan findes under downloads/andre downloads.

Driftsfrekvensområde: 2400MHz-2483.5MHz

Maksimal udgangseffekt: 19dBm

DENVER A/S

Omega 5A, Soeften

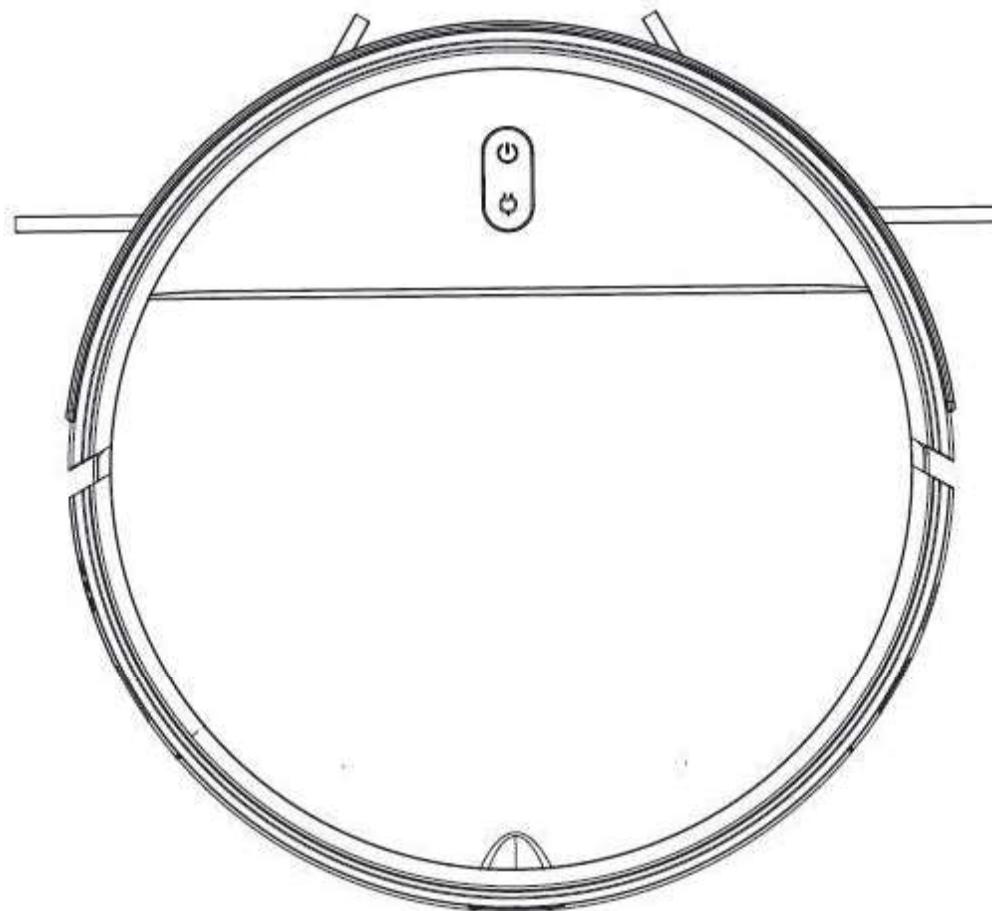
DK-8382 Hinnerup

Danmark

www.facebook.com/denver.eu

Gebruikershandleiding robotstofzuiger

Model: RVC-110



www.denver.eu

facebook.com/Denver.eu

Veiligheidsvoorschriften

Lees de veiligheidsinstructies zorgvuldig door voordat u het apparaat voor de eerste keer gebruikt en bewaar de instructies voor toekomstig gebruik.

1. Houd de producten buiten het bereik van kinderen en huisdieren om te voorkomen dat ze erop kauwen of ze inslikken.
2. Waarschuwing: Dit product bevat een lithium-ionaccu.
3. Open het apparaat nooit. Dit product mag uitsluitend door bevoegd personeel worden gedemonteerd. Het wordt gebruikers afgeraden om service of reparaties uit te voeren
4. Laad alleen op met de meegeleverde lader. Gebruik geen niet-originele accessoires samen met het apparaat, aangezien dit de werking van het apparaat kan verstoren.
5. Raak geen draden, contacten of lichaamsdelen aan wanneer het product in de reinigingsmodus staat
6. Ga niet op het product zitten
7. Voordat u dit product in gebruik neemt, dient u alle kwetsbare voorwerpen te verwijderen, zoals lampen, glazen voorwerpen, gordijnen en andere obstakels die de borstels of het luchtaanzuigkanaal kunnen belemmeren.
8. Verbuig geen draden en plaats geen zware voorwerpen op de machine
9. Dit product is een huishoudelijk product. Het apparaat is bedoeld voor binnenshuis gebruik onder droge omstandigheden. Gebruik het niet buitenshuis.
10. Gebruik dit product niet in natte omgevingen, zoals de badkamer
11. Informeer anderen in uw huishouden wanneer het product bezig is met schoonmaken, om ongelukken te voorkomen
12. Leeg vóór gebruik de stofcontainer. Een volle stofcontainer zal de schoonmaakprestaties en het zuigvermogen verlagen
13. De bedrijfs- en opslagtemperatuur van dit product valt tussen 0 en 40 graden Celsius. Omgevingen onder en boven deze temperaturen kunnen de werking beïnvloeden.
14. Gebruik uitsluitend de originele oplaadbare batterij en het laadstation geleverd door de leverancier. Niet-oplaadbare batterijen zijn ten strengste verboden, raadpleeg de “productparameters” voor batterijspecificaties.
15. Gebruik het product niet in omgevingen met open vlammen of fragiele producten
16. Het is verboden om de producten te gebruiken in extreem hoge (hoger dan 40 graden) of extreem koude (lager dan 0 graden) temperaturen. De garantie dekt geen beschadigingen als gevolg daarvan.
17. Raak de producten niet aan wanneer ingeschakeld en bezig met schoonmaken. Houd haar, kleding, vingers en andere lichaamsdelen uit de buurt van de opening van de producten
18. Laat het product geen steen of papierafval opzuigen, anders kan deze verstopt raken
19. Laat het product geen brandende voorwerpen zoals sigaretten, lucifers, as, enz. opzuigen, dit kan namelijk tot brand leiden
20. Zorg ervoor dat u het product uit de buurt houdt van ontvlambare materialen, zoals printer- en kopieertoner en andere brandende vloeistoffen
21. Steek geen voorwerpen in de zuigopening. Gebruik het product nooit met een geblokkeerde zuigpoort. Verwijder stof, katoen, wol, haar, enz. uit de zuigopening, zodat de lucht bij de opening goed kan circuleren
22. Wees voorzichtig met de voedingskabel om schade te voorkomen. Trek, sleep of gebruik de voedingskabel niet als handgreep bij het verplaatsen van het laadstation.

23. Leg de voedingskabel niet in deuropeningen of op andere plekken waar het schade kan veroorzaken. Zorg voor voldoende vrije ruimte rondom de voedingskabel en het laadstation.
24. Gebruik het laadstation of de voedingskabel niet wanneer deze beschadigd is
25. Waarschuwing: Deze afstandsbediening bevat AAA-batterijen. Gebruik uitsluitend AAA-batterijen in de afstandsbediening.
26. Gebruik nooit oude en nieuwe batterijen of verschillende soorten batterijen samen. Verwijder de batterijen als u het product langere tijd niet gebruikt. Controleer de polariteit (+/-) van de batterijen wanneer u ze in het product plaatst. Verkeerde plaatsing kan een explosie veroorzaken. Batterijen zijn niet inbegrepen.
27. De adapter van het laadstation wordt gebruikt om de voeding volledig los te koppelen en moet te allen tijde bereikbaar en gemakkelijk te gebruiken zijn. Zorg er dus voor dat er rondom het stopcontact voldoende ruimte is zodat het stopcontact gemakkelijk bereikbaar is.

Productsamenstelling - inhoud van de verpakking



1x robotstofzuiger



1x oplaadstation



2x accu



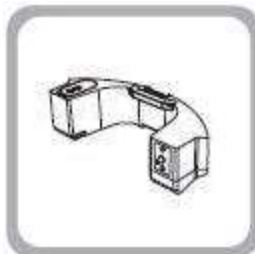
1x afstandsbediening



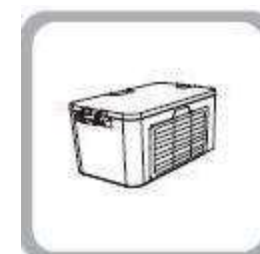
1x adapter



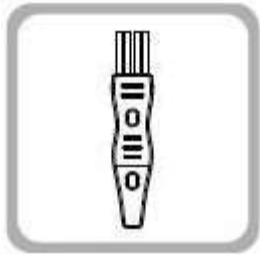
1x dweilhouder



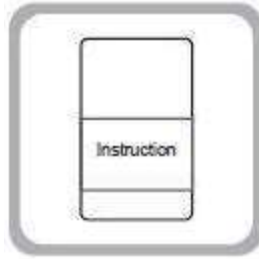
1x waterreservoir



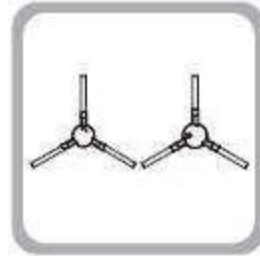
1x stofopvangbak



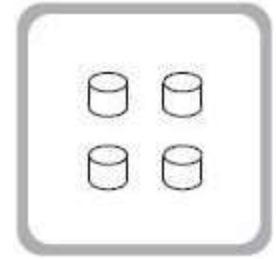
1x reinigingsborstel



1x gebruikershandleiding



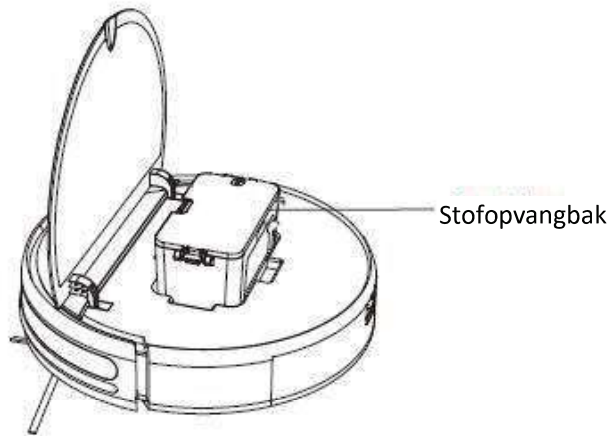
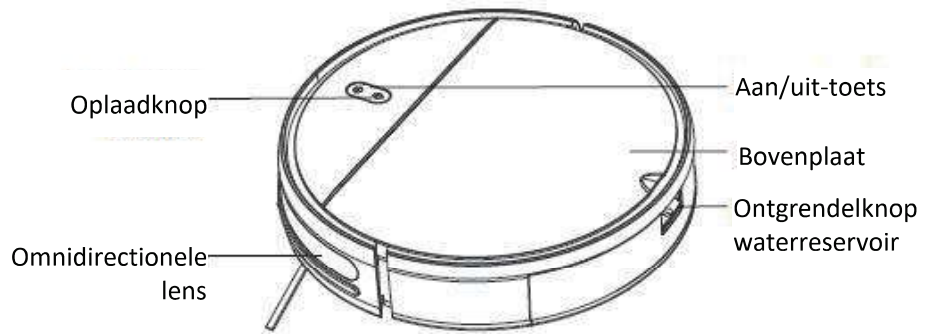
2x zijborstel



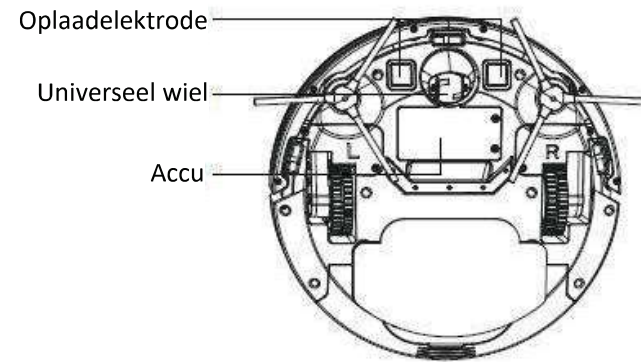
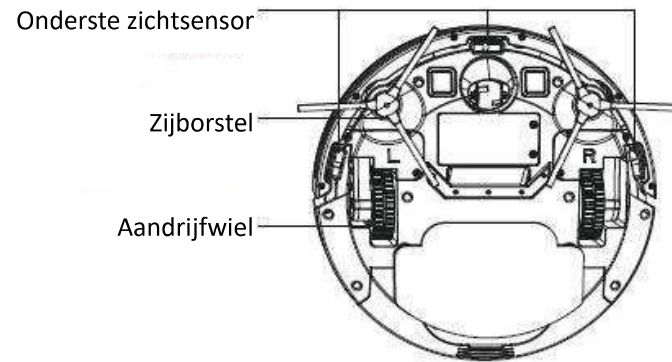
4x katoenfilter

Productsamenstelling - beschrijving van de onderdelen

Vooraanzicht robotstofzuiger



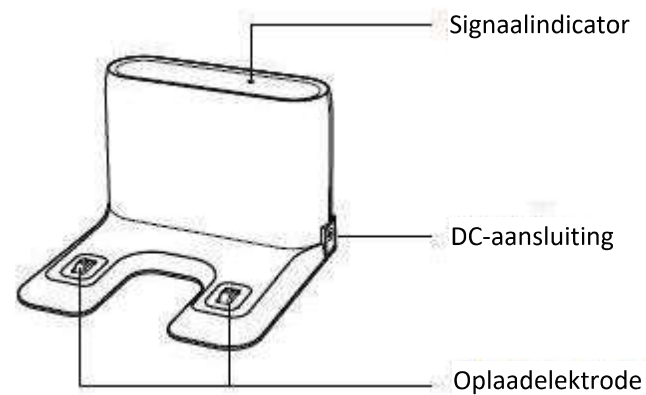
Achteraanzicht robotstofzuiger



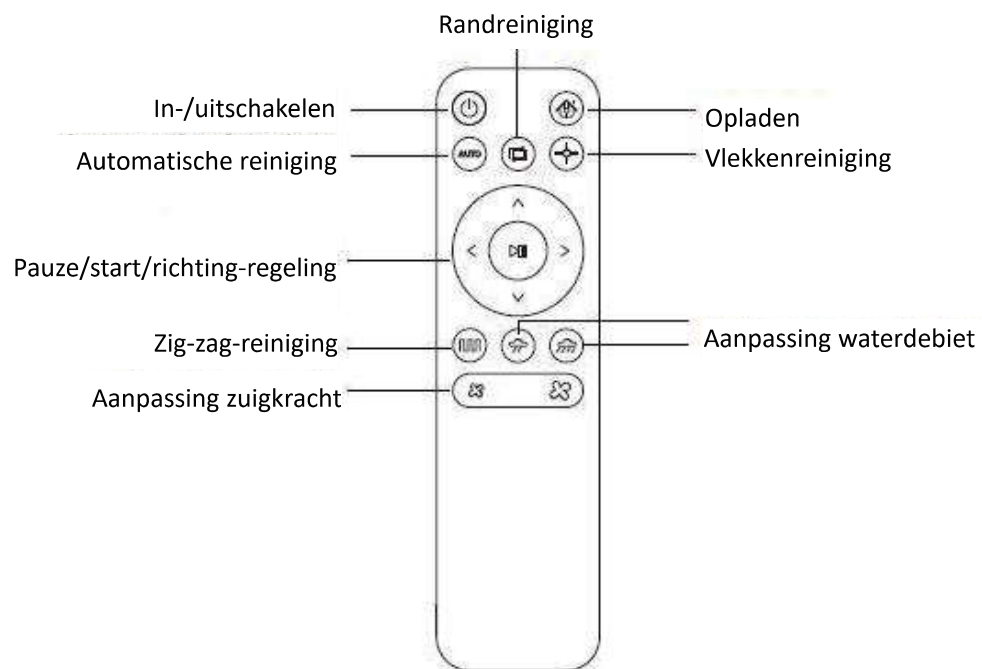
Stofopvangbak



Oplaadstation



Afstandsbediening

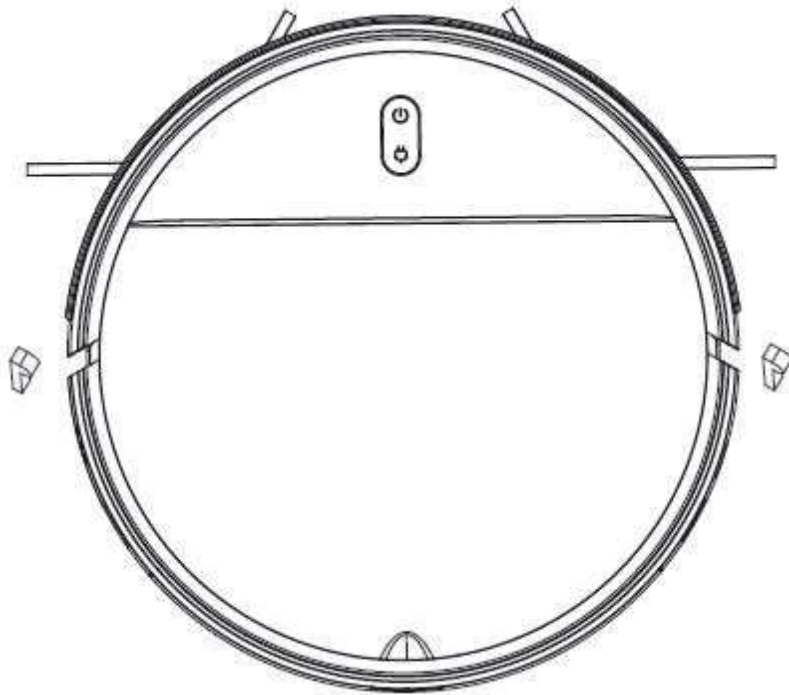


Vorbereidingen

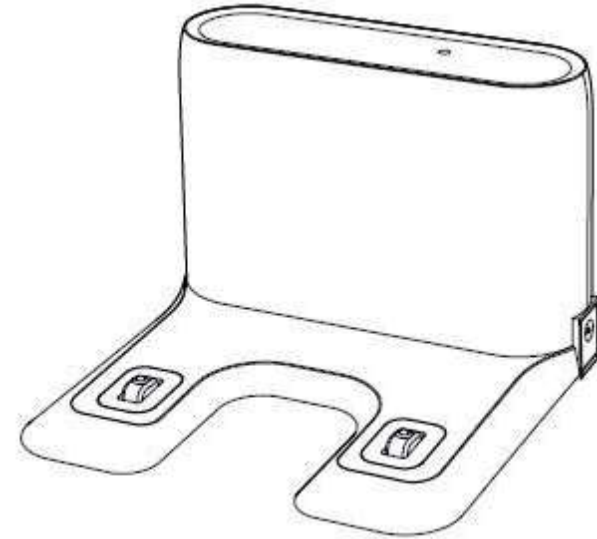
Beschermstrips verwijderen

Verwijder de beschermstrips van de robotstofzuiger vóór gebruik.

Beschermstrips verwijderen

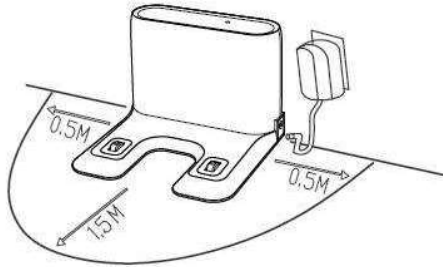


Beschermfolie verwijderen

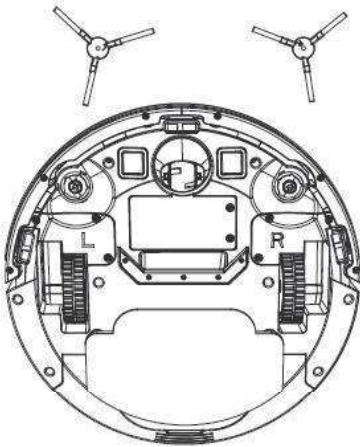


Het apparaat gebruiken - de robotstofzuiger opladen

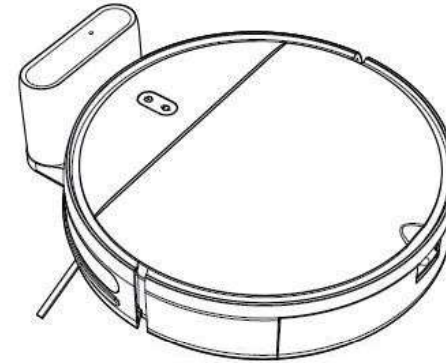
1. Plaats het oplaadstation op een vlakke grond en tegen de muur. Plaats geen voorwerpen 0,5 meter links en rechts van het oplaadstation of 1,5 meter voor het oplaadstation.



2. Sluit het oplaadstation aan op een stopcontact.
3. Installeer de linker- en rechterzijborstel.




4. Opladen: Plaats de robotstofzuiger op het oplaadstation om de robotstofzuiger op te laden. Tijdens het opladen knippert de indicator. Als het opladen voltooid is, brandt de indicator continu. Het duurt ongeveer vijf uur om de robotstofzuiger volledig op te laden.



Tijdens het reinigen controleert de robotstofzuiger automatisch het accuniveau.

Als het accuniveau onvoldoende is, activeert de robotstofzuiger de modus terugkeren naar het oplaadstation en keert automatisch terug naar het oplaadstation om op te laden.

U kunt ook op de knop  op de afstandsbediening drukken om de robotstofzuiger de opdracht de modus terugkeren naar het oplaadstation te activeren.

 Let op:

1. Gebruik het oplaadstation niet in een reflecterende omgeving, zoals een omgeving die blootgesteld wordt aan direct zonlicht en een omgeving met spiegels in de buurt. Als er reflecterende voorwerpen zijn, bedek het oplaadstation dan, gemeten 7 centimeter vanaf de onderkant.
2. Om de normale werkingsduur van de robotstofzuiger te garanderen, moet deze vóór gebruik volledig worden opgeladen. De oplaadtijd is ongeveer vijf uur.
3. Om het opladen veilig te laten verlopen en te voorkomen dat een vochtige doek de vloer beschadigt, moet u het waterreservoir verwijderen voordat u de robotstofzuiger oplaadt.

Het apparaat gebruiken - reiniging starten

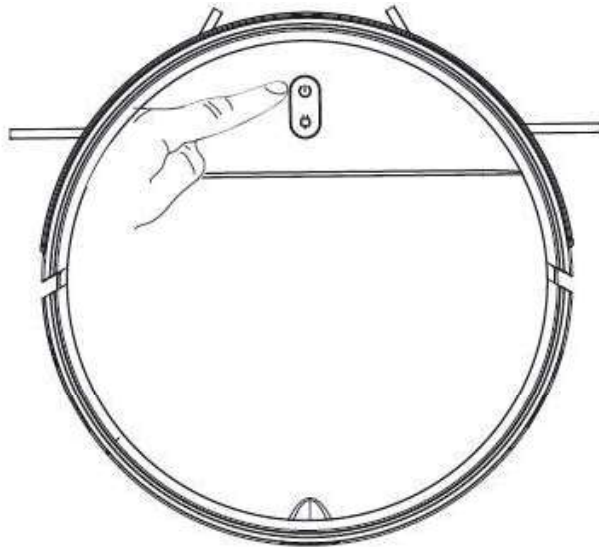
Voor verschillende reinigingsbehoeften biedt de robotstofzuiger meerdere reinigingsmodi waaruit u kunt kiezen. U kunt verschillende reinigingsmodi activeren via de robotstofzuiger of de afstandsbediening.

De robotstofzuiger is niet gebouwd om over drempels te gaan.

Automatische reiniging


Instelmethode: met de robotstofzuiger uitgeschakeld, houd de aan/uit-knop ingedrukt.

Nadat de indicator van de robotstofzuiger oplicht, ten teken dat de robotstofzuiger ingeschakeld is, druk nogmaals op de aan/uit-knop om automatische reiniging in te schakelen.




Vlekkenreiniging

Toepasselijk scenario: de reinigingsmodus is van toepassing waar zich vuil concentreert. De robotstofzuiger reinigt de vloer in een spiraalvormige baan in het gespecificeerde gebied en keert na het reinigen terug naar het oorspronkelijke punt.

Instelmethode: druk op de knop  op de afstandsbediening om vastpuntreiniging in te schakelen.


Randreiniging

Toepasselijk scenario: de reinigingsmodus is van toepassing op binnenhoeken. De robotstofzuiger reinigt de vloer langs randen van vaste objecten (bijvoorbeeld muren) en keert na het reinigen terug naar het oplaadstation.


Instelmethode: druk op de knop  op de afstandsbediening om vastpuntreiniging in te schakelen.

Handbediening

Toepasselijk scenario: bedien de reinigingsroute en het gebied met behulp van de richtingsknoppen op de afstandsbediening.

Instelmethode: druk op de knop  op de afstandsbediening om de robotstofzuiger vooruit of achteruit te bewegen of een bocht te maken.

Het apparaat gebruiken - pauzeren, wekken en uitschakelen

Pauzeren: als de robotstofzuiger werkt, druk op de aan/uit-knop op de robotstofzuiger of druk op de pauzeknop  op de afstandsbediening om de robotstofzuiger uit te schakelen.

Wekken: als de robotstofzuiger langer dan 10 minuten niet wordt gebruikt, activeert de robotstofzuiger de slaapmodus (de indicator op de robotstofzuiger is uit). Druk op de aan/uit-knop op de robotstofzuiger om de robotstofzuiger te wekken of druk op de aan/uit-knop op de afstandsbediening om de robotstofzuiger in te schakelen.

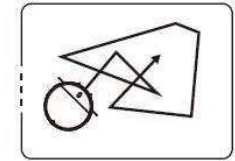
Uitschakelen: nadat de robotstofzuiger niet meer werkt, houd de aan/uit-knop op de robotstofzuiger ingedrukt. Als de indicator van de robotstofzuiger is, is de robotstofzuiger uitgeschakeld.

* Nadat de robotstofzuiger is ingeschakeld, wordt aanbevolen de robotstofzuiger niet uit te schakelen. Houd de robotstofzuiger op het oplaadstatus zodat deze de volgende keer goed kan werken.

Reinigingsmodi

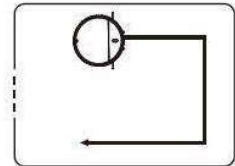
1. Automatische reiniging

De robotstofzuiger reinigt willekeurig gedurende 90 minuten. Na afloop keert de robotstofzuiger automatisch terug naar het oplaadstation om op te laden.



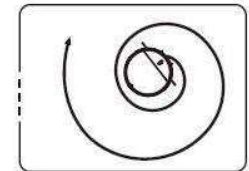
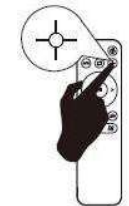
2. Randreiniging

De robotstofzuiger reinigt randen, op een afstand van minder dan 2 centimeter tot muren.



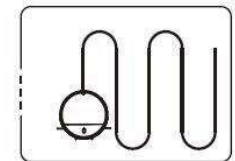
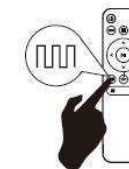
3. Vlekkenreiniging

De robotstofzuiger begint te reinigen in een naar buiten gerichte spiraalbeweging. Na het bereiken van de maximale straal van 0,6 meter, gaat de robotstofzuiger over een naar binnen gerichte spiraalbeweging. De robotstofzuiger beëindigt het reiniging na terugkeer op het beginpunt.



4. Zig-zag-reiniging

In de zig-zag-reinigingsmodus is de langste reinigingsafstand 5 meter in een rechte lijn.



Het apparaat gebruiken - wifi-verbinding

1. App downloaden/registreren

Scan de QR-code hieronder of zoek "Tuya Smart" in de appstore op en download het. Volg de instructies in de app om een account te registreren.

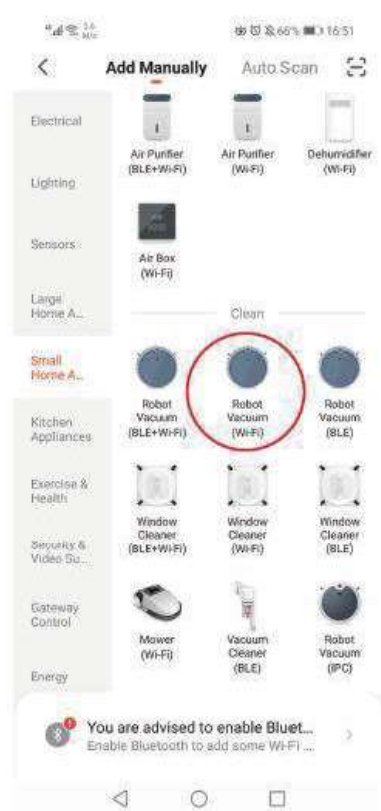


2. Wifi-verbinding

Er zijn twee wifi-verbinding modi: **EZ-modus** en **AP-modus**.

(1) EZ-modus:

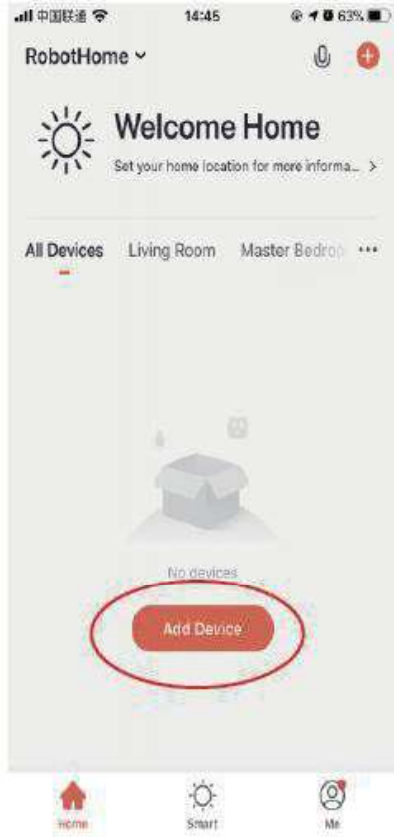
1. Schakel de robot in, houd de oplaadknop 3 seconden ingedrukt om de EZ-modus in te schakelen. U hoort een piepton. De indicator licht geel op en knippert.



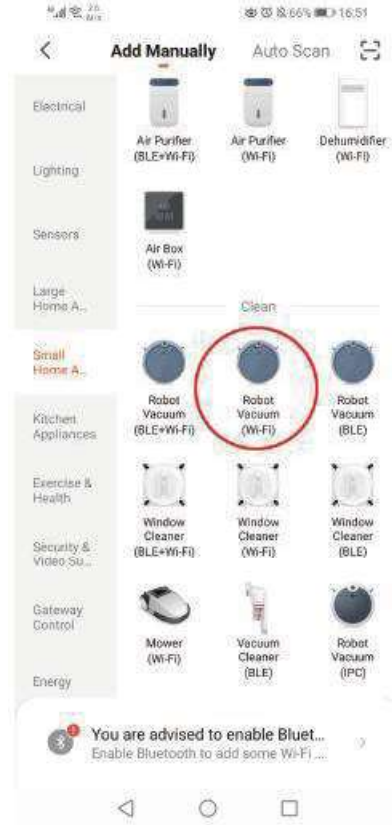
2. Log in op de Tuya-app en klik op "Apparaat toevoegen".
3. Selecteer "Klein huishoudelijk apparaat" en kies vervolgens "Wifi-robotstofzuiger".
4. Selecteer een 2,4 GHz wifi-netwerk en voer de wifi-naam en het -wachtwoord in, klik vervolgens op "Volgende".
5. Selecteer "EZ-modus", klik op "Bevestigen dat de indicator snel knippert" en "Volgende" om te wachten op het resultaat van de verbinding.

(2) AP-modus:

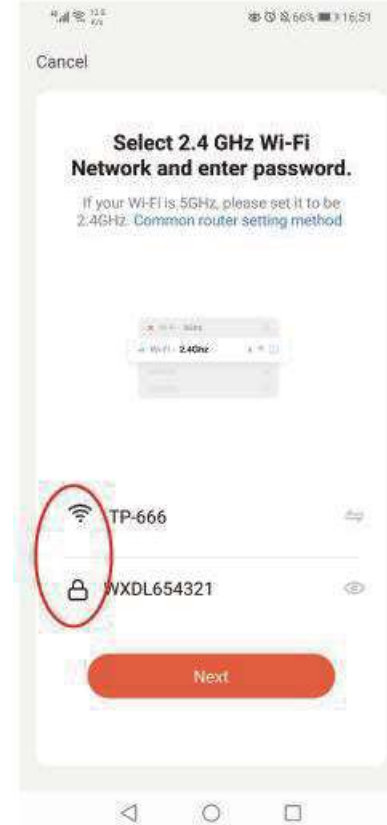
1. Schakel de robot in, houd de oplaadknop 6 seconden ingedrukt om de AP-modus in te schakelen. U hoort twee piepjes. De indicator licht geel op en knippert.



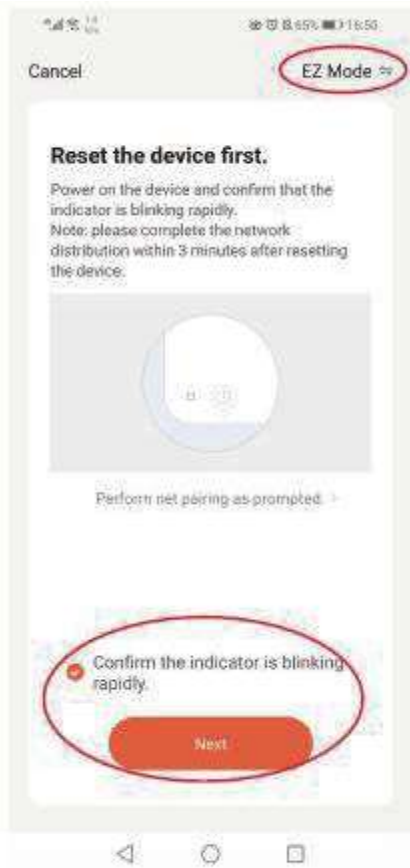
2. Log in op de Tuya-app en klik op "Apparaat toevoegen".



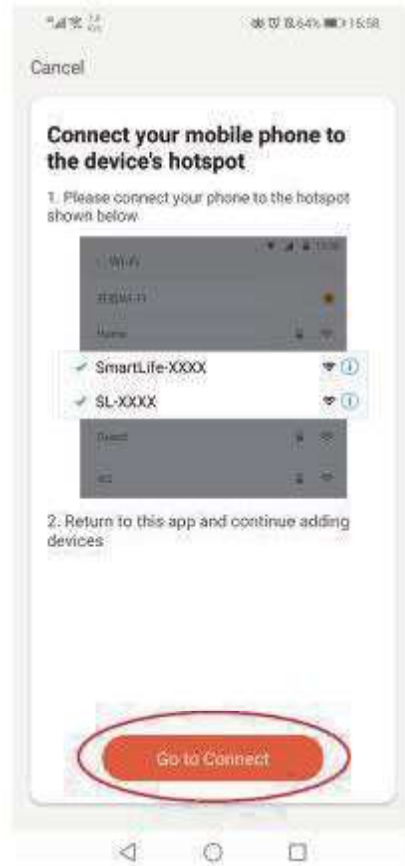
3. Selecteer "Klein huishoudelijk apparaat" en kies vervolgens "Wifi-robotstofzuiger".



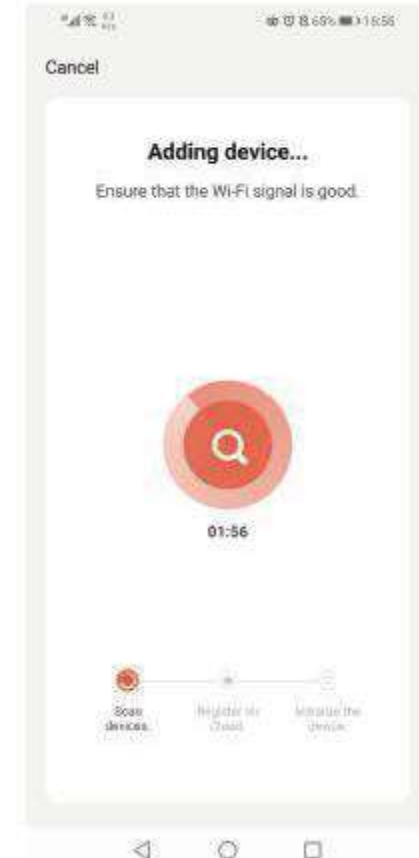
4. Selecteer een 2,4 GHz wifi-netwerk en voer de wifi-naam en het -wachtwoord in, klik vervolgens op "Volgende".



5. Selecteer "AP-modus", klik op "Bevestigen dat de indicator snel knippert" en "Volgende" om te wachten op het verbindingresultaat.



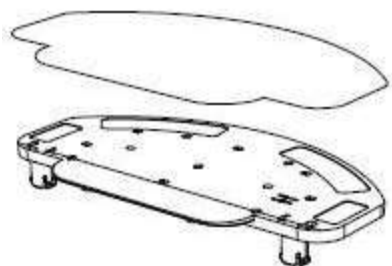
6. Maak verbinding met de wifi-hotspot die begint met "SmartLife XXX".



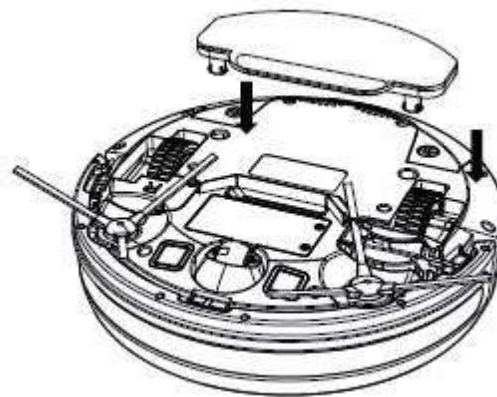
7. Na verbinding met de wifi-hotspot, keer terug naar de Tuya-app en wacht op het resultaat van de verbinding.

Het apparaat gebruiken - de dweilhouder installeren

A. Installeer de dweil op de dweilhouder.



B. Installeer de dweilhouder op de robotstofzuiger.

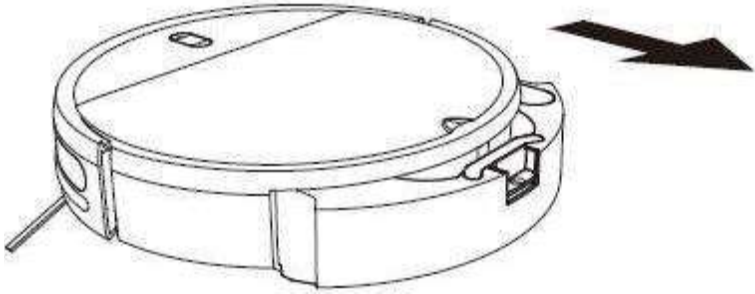


Het apparaat gebruiken - het waterreservoir

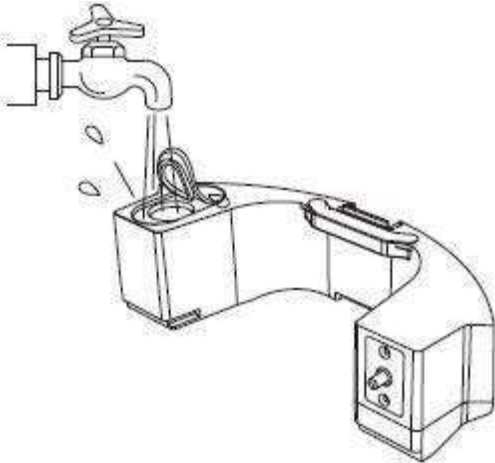
* Gebruik de dweilfunctie niet op vloerbedekking.

* Reinig na afloop van het dweilen het waterreservoir en verwijder de dweil.

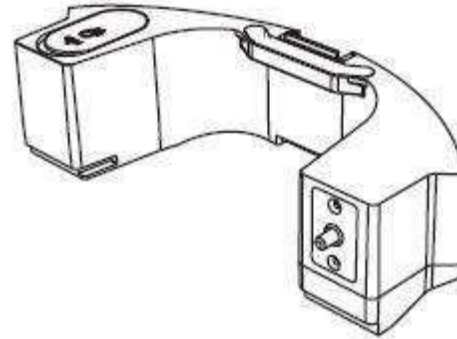
A. Verwijder het waterreservoir.



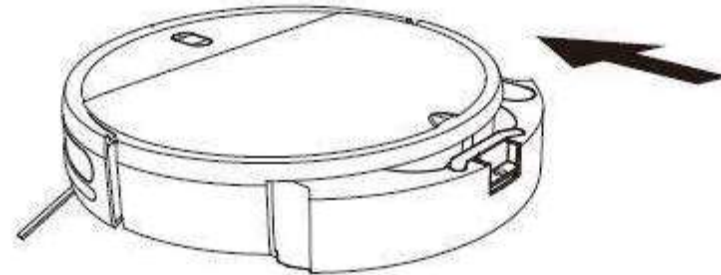
B. Open het rubberdeksel en voeg water toe.



C. Sluit het rubberdeksel.

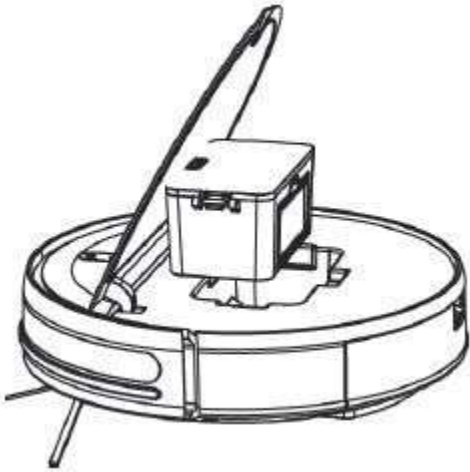


D. Installeer het waterreservoir op de robotstofzuiger.



Onderhoud van onderdelen - stofopvangbak

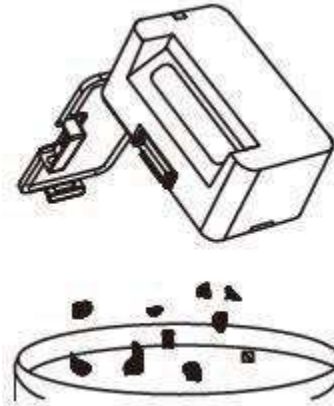
A. Druk op de knop op de stofopvangbak om de stofopvangbak te verwijderen.



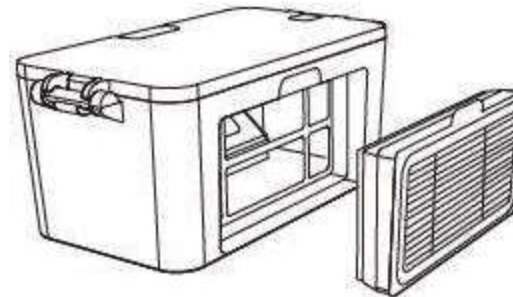
B. Open het deksel van de stofopvangbak.



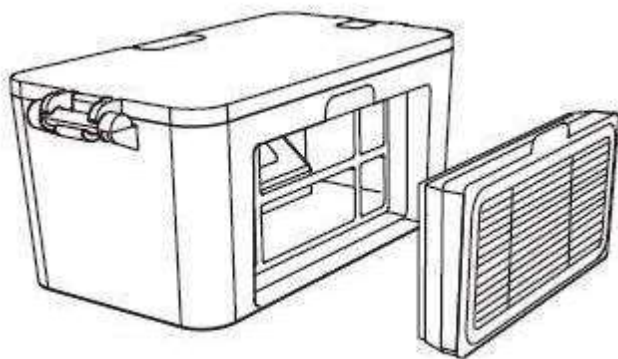
C. Leeg de stofopvangbak.



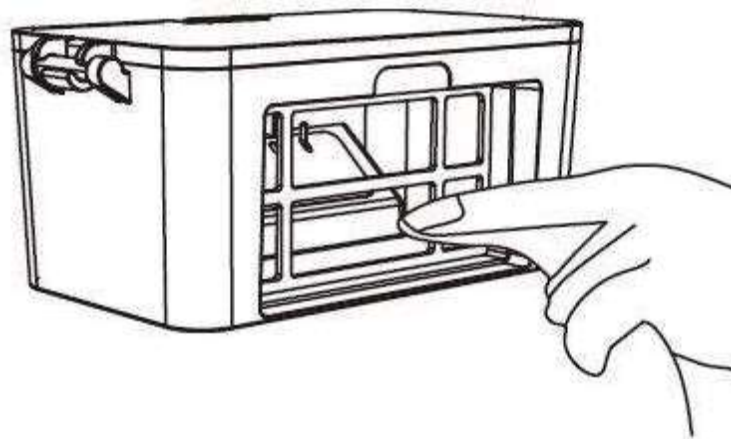
D. Verwijder het HEPA-filter.



E. Tik op het HEPA-filter om stof te verwijderen.



G. Reinig de stofopvangbak met een doek.

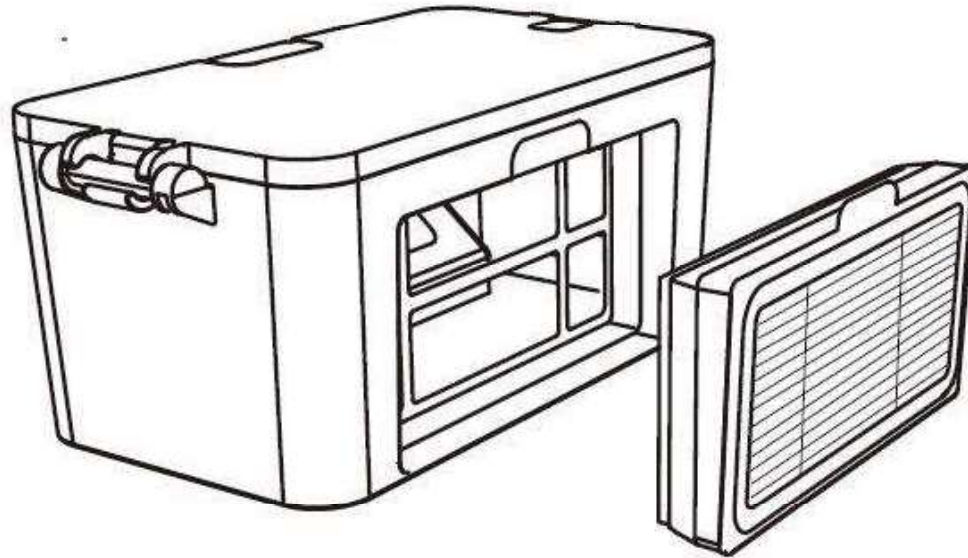
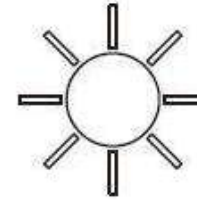


F. Spoel het HEPA-filter uit.



H. Laat de stofopvangbak en het HEPA-filter drogen om de levensduur te garanderen.

Opmerking: het wordt aanbevolen om het HEPA-filter om de 15 tot 30 dagen uit te spoelen. De maximale levensduur van het HEPA-filter is drie maanden.



I. Plaats het HEPA-filter terug in de stofopvangbak.

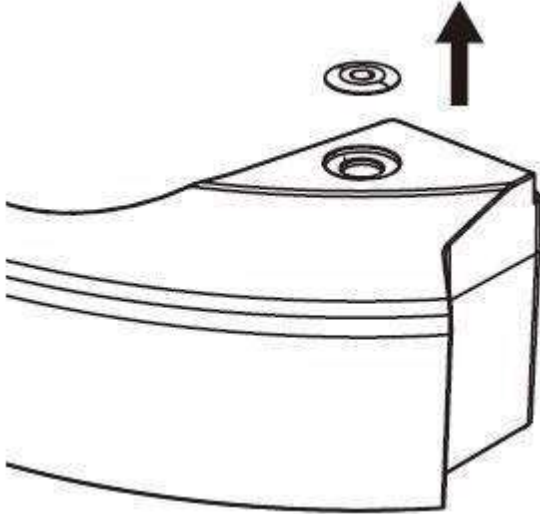
Opmerking: 1. Zorg dat het HEPA-filter droog is voordat u het terugplaats.

2. Stel het HEPA-filter niet bloot aan zonlicht.

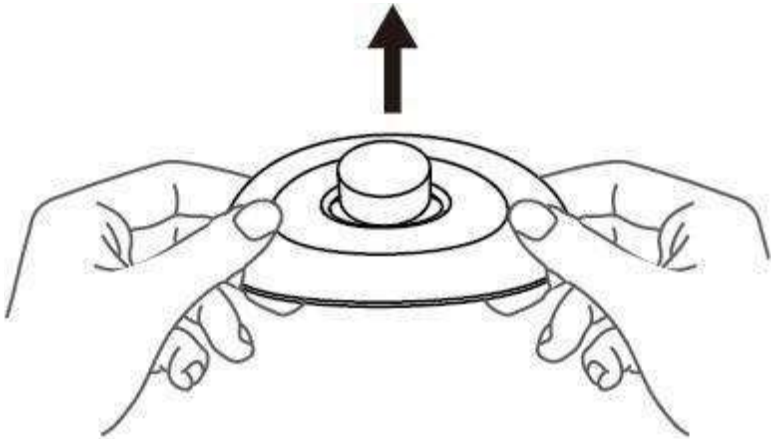
J. Sluit het deksel van de stofopvangbak en installeer de stofopvangbak in de robotstofzuiger.

Onderhoud van onderdelen - katoenfilter

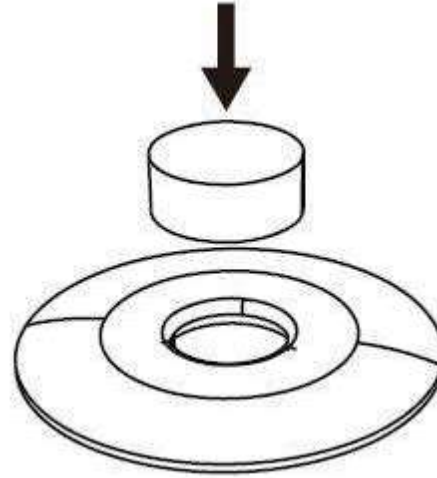
A. Verwijder de rubberdop.



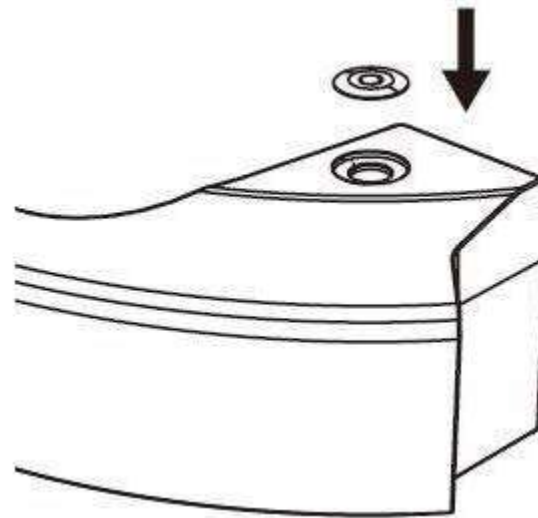
B. Verwijder het katoenfilter uit de rubberdop.



C. Vervang door een nieuw katoenfilter.



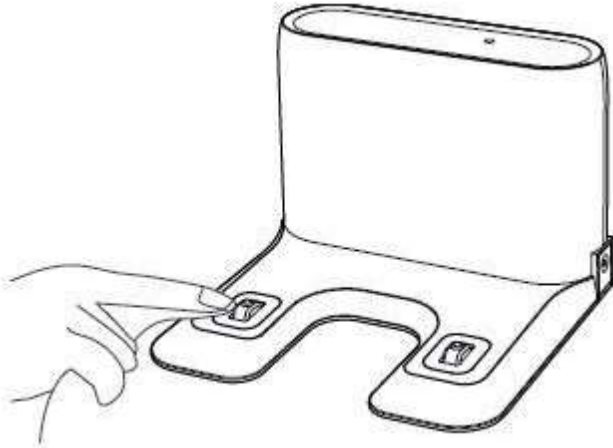
B. Plaats de rubberdop terug.



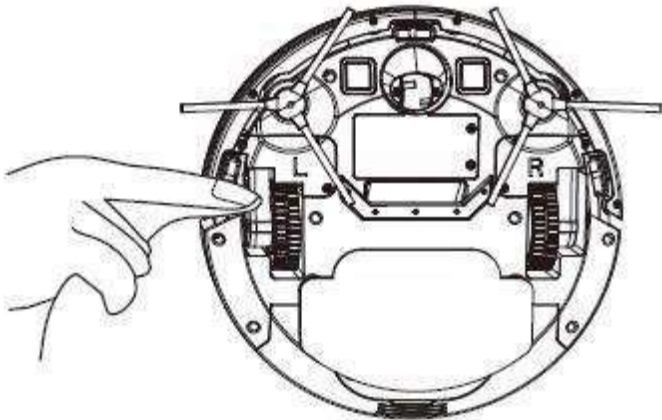
Onderhoud van onderdelen - oplaadelektrode, onderste zichtsensoren, aandrijfwielen en universeel wiel

Opmerking: de oplaadelektrode, de onderste zichtsensoren en de bumper bevatten gevoelige elektronische componenten. Gebruik een droge doek om de onderdelen te reinigen. Gebruik geen natte doek om te voorkomen dat er water in de onderdelen komt en deze beschadigt.

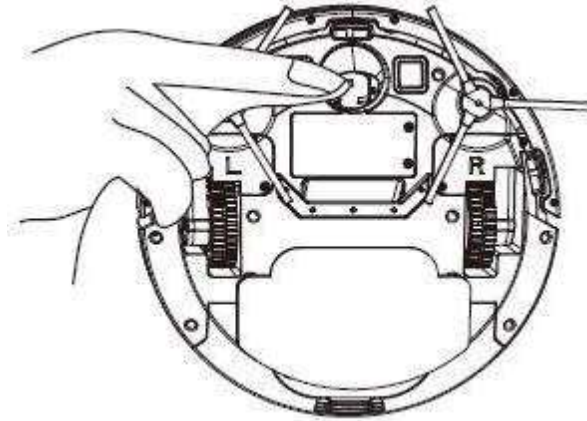
De oplaadelektrode reinigen



De onderste zichtsensoren reinigen



Het aandrijfwiel en het universele wiel reinigen



- * Als u de robotstofzuiger gedurende lange tijd niet gebruikt, laad deze dan volledig op en schakel deze uit voordat u de robotstofzuiger opslaat. Laad de robotstofzuiger om de drie maanden op om overontlading van de accu te voorkomen.
- * Als de accu te ver wordt ontladen of gedurende lange tijd niet wordt gebruikt, is het mogelijk dat de robotstofzuiger niet meer kan worden opgeladen. Neem contact op met de klantenservice voor onderhoud. Demonteer de robotstofzuiger niet.

Indicatoren

De robotstofzuiger heeft twee indicatoren, de bovenste is voor accuniveau en de onderste is voor opladen. De indicatoren hebben drie kleuren: rood, groen en geel. De indicatorstatus omvat indicatoren die uit zijn, continu branden, snel knipperen en langzaam knipperen.

Onderwerp	Apparaatstatus	Indicatorstatus			
		Aan/uit-toets		Opladen	
		Kleur	Status	Kleur	Status
1	Ingeschakeld	Groen	Brandt continu		Uit
2	Uitgeschakeld		Uit		Uit
3	Reiniging	Groen	Uit		Uit
4	Opladen	Groen	Brandt continu	Geel	Brandt continu
5	Accu bijna leeg, opladen	Groen	Brandt continu	Rood	Brandt continu
6	Tijdens het opladen	Groen	Brandt continu	Groen	Knippert langzaam
7	Opladen voltooid	Groen	Brandt continu	Groen	Brandt continu
8	wifi-hotspot	Groen	Knippert snel	Groen	Knippert snel
9	Wifi verbonden	Groen	Brandt continu		Uit
10	Waarschuwing	Rood	Knippert snel		Uit
11	Stand-bymodus	Groen	Brandt continu		Uit
12	Slaapmodus		Uit		Uit
13	Accu bijna leeg	Rood	Knippert snel		Uit
14	Niet gekalibreerd	Rood	Knippert snel	Rood	Knippert snel
15	Gekalibreerd	Groen	Brandt continu		Uit

Productspecificaties

Categorie	Onderwerp	Specificaties
Structuur	Diameter	300 mm
	Lengte	74 mm
Accu	Nettogewicht	2,5 kg
	Accucapaciteit	14,4 V
	Accu	2500 mAh oplaadbare lithiumaccu
Prestaties	Inhoud stofopvangbak	200 ml
	Oplaadmodi	Automatisch opladen en handmatig opladen
	Reinigingsmodi	Automatische reiniging, vlekkenreiniging, randreiniging
	Oplaadtijd	Ongeveer 300 minuten
Robotstofzuiger	Reinigingstijd	Ongeveer 100 minuten
	Nominaal vermogen (W)	28
	Bedrijfsspanning (V)	14,4

* Door de voortdurende verbetering van het product zijn de productspecificaties onderhevig aan het werkelijke product. Ons bedrijf behoudt zich het recht voor om het product te wijzigen.

Opmerking - Alle producten zijn onderworpen aan wijzigingen zonder enige aankondiging. Fouten en omissies in de gebruiksaanwijzing voorbehouden.

ALLE RECHTEN VOORBEHOUDEN, AUTEURSRECHT DENVER A/S



denver.eu



Elektrische en elektronische apparatuur en de inbegrepen batterijen bevatten materialen, componenten en stoffen die schadelijk kunnen zijn voor uw gezondheid en het milieu, indien de afvalproducten (afgedankte elektrische en elektronische apparatuur en batterijen) niet correct worden verwerkt.

Elektrische en elektronische apparatuur en batterijen zijn gemarkeerd met het doorgekruiste vuilnisbaksymbool, zoals hierboven afgebeeld. Dit symbool betekent dat elektrische en elektronische apparatuur en batterijen niet mogen worden afgevoerd met ander huishoudelijk afval, maar afzonderlijk moeten worden afgevoerd.

Het is belangrijk dat u als eindgebruiker de gebruikte batterijen inlevert bij de gepast en hiervoor aangewezen faciliteit. Op deze manier zorgt u ervoor dat de batterijen worden gerecycled in overeenstemming met de wetgeving en geen schade toebrengen aan het milieu.

Alle plaatsen hebben specifieke inzamelpunten, waar elektrische of elektronische apparatuur en batterijen kosteloos kunnen worden ingeleverd bij recyclestations of andere inzamellocaties. In bepaalde gevallen kan het afval ook aan huis worden opgehaald. Aanvullende informatie kan worden verkregen bij de technische afdeling van uw gemeente.

Hierbij verklaar ik, Denver A/S, dat het type radioapparatuur RVC-110 conform is met Richtlijn 2014/53/EU. De volledige tekst van de EU-conformiteitsverklaring kan worden geraadpleegd op het volgende internetadres: denver.eu en klik vervolgens op het zoekpictogram op de bovenste regel van de website. Type het modelnummer: RVC-110. Ga nu naar de productpagina en de RED-richtlijn is te vinden onder downloads/andere downloads.

Bedrijfsfrequentiebereik: 2400MHz-2483.5MHz

Maximaal uitgangsvermogen: 19dBm

DENVER A/S

Omega 5A, Soeften

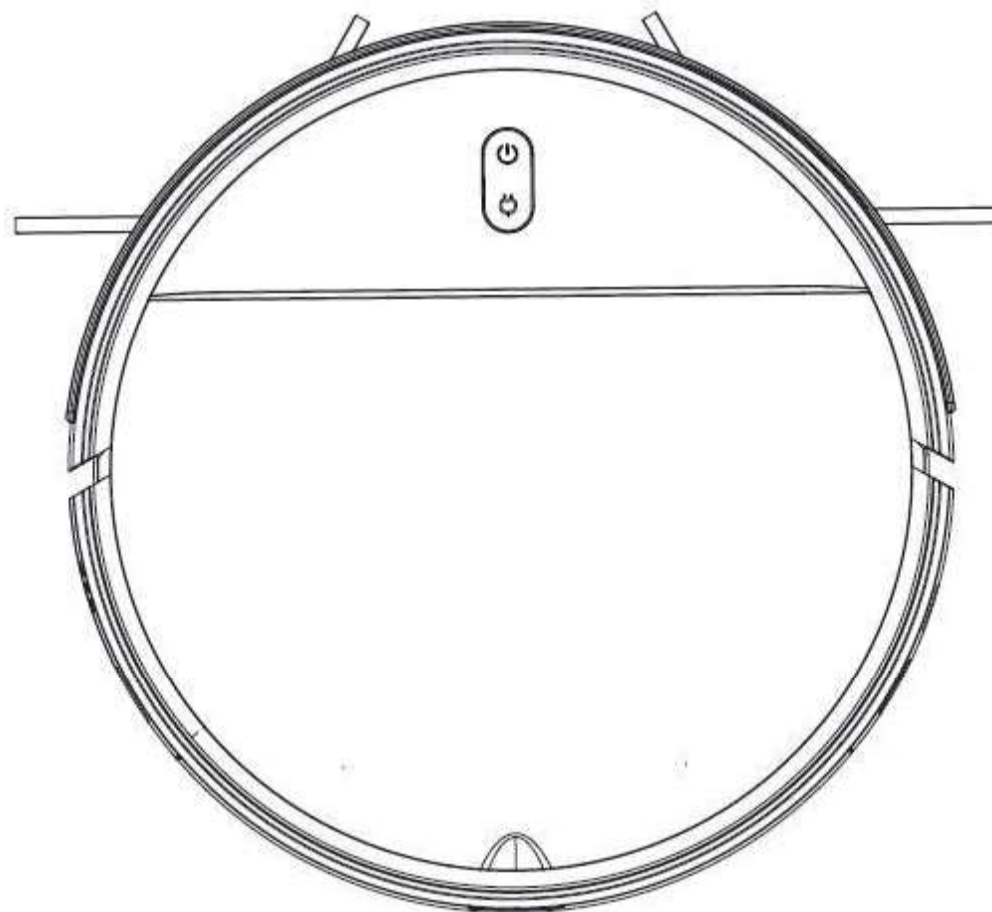
DK-8382 Hinnerup

Denemarken

www.facebook.com/denver.eu

Guide d'utilisation du Robot aspirateur nettoyeur

Modèle : RVC-110



www.denver.eu

facebook.com/Denver.eu

Consignes de sécurité

Lisez attentivement les consignes de sécurité avant d'utiliser le produit pour la première fois et conservez-les pour référence ultérieure.

1. Gardez le produit hors de la portée des enfants et des animaux de compagnie pour éviter qu'ils le mordent et l'avalent.
2. Avertissement : Ce produit comprend une batterie lithium-ion.
3. N'ouvrez jamais le produit. Seul le personnel qualifié est habilité à démonter ce produit. Il n'est pas recommandé aux utilisateurs d'effectuer des opérations d'entretien ou des réparations.
4. Utilisez uniquement le chargeur fourni pour recharger l'appareil. N'utilisez pas d'accessoires non officiels avec le produit, car cela peut causer un mauvais fonctionnement.
5. Ne touchez pas les fils, les prises ou des parties du corps lorsque le produit est en mode Nettoyage.
6. Ne vous asseyez pas sur le produit.
7. Avant d'utiliser ce produit, veuillez retirer tous les objets fragiles tels que les lampes, les articles en verre, les rideaux et autres obstacles qui pourraient s'emmêler dans les brosses ou obstruer le passage d'aspiration d'air.
8. Ne pliez pas les fils et ne placez pas d'objets lourds sur la machine.
9. Ce produit est un produit ménager. Ce produit est prévu pour une utilisation en intérieur et dans des conditions sèches. Ne l'utilisez pas à l'extérieur.
10. N'utilisez pas ce produit dans des environnements humides tels qu'une salle de bain.
11. Afin d'éviter les accidents, veuillez informer les autres membres du foyer lorsque le produit est en train d'effectuer un nettoyage.
12. Veuillez vider la bac à poussière avant utilisation. Un bac à poussière plein affectera l'efficacité du nettoyage et réduira la capacité d'aspiration.
13. La température de fonctionnement et de stockage du produit doit être entre 0 et 40 ° C. L'utilisation dans un environnement dont la température est supérieure ou inférieure pourrait affecter son fonctionnement.
14. N'utilisez que la batterie rechargeable d'origine et le socle de charge fournis par le fournisseur. L'utilisation de piles non rechargeables est strictement interdite, veuillez vous référer aux « Caractéristiques du produit » pour les spécifications de la batterie.
15. Assurez-vous de ne pas utiliser le produit dans des environnements où se trouvent des flammes nues ou des produits fragiles.
16. Il est interdit d'utiliser le produit dans des environnements à températures extrêmement élevées (supérieures à 40 degrés) ou extrêmement froides (inférieures à 0 degrés). La garantie ne couvre pas les dommages causés lors de ce type d'utilisation.
17. Ne touchez pas le produit lorsqu'il est allumé et en cours de nettoyage. Gardez vos cheveux, vêtements, doigts et autres parties du corps à l'écart des ouvertures sur le produit.
18. Le produit n'est pas en mesure d'absorber des pierres ou du papier. Cela pourrait obstruer le produit.
19. Le produit ne peut pas absorber des éléments brûlants tels que des cigarettes, des allumettes, des cendres, etc., susceptibles de provoquer un incendie.
20. Assurez-vous de garder le produit à l'écart de toute substance inflammable telle que de l'encre d'imprimante et de photocopie et d'autres liquides inflammables.
21. Ne placez pas d'articles dans l'ouverture d'aspiration. N'utilisez pas le produit lorsque le port d'aspiration est obstrué. Nettoyez la poussière, les cheveux, les peluches, etc. se trouvant dans l'ouverture d'aspiration afin d'assurer une bonne circulation d'air.

22. Utilisez le cordon d'alimentation avec précaution pour éviter tout dommage. Ne tirez pas, ne traînez pas et n'utilisez pas le cordon d'alimentation comme poignée lorsque vous déplacez le socle de charge.
23. Ne placez pas le cordon d'alimentation dans les ouvertures de porte ou autres endroits qui pourraient causer des dommages. Assurez-vous qu'il y a de l'espace libre autour du cordon d'alimentation et du socle de charge.
24. N'utilisez pas un socle de charge ou un cordon d'alimentation endommagé.
25. Avertissement : Cette télécommande contient des piles AAA. Utilisez uniquement des piles AAA dans la télécommande.
26. N'utilisez jamais des piles anciennes et neuves ou différents types de piles en même temps. Retirez les piles lorsque le produit ne sera pas utilisé pendant une période prolongée. Vérifiez toujours la polarité (+/-) des piles lors de leur insertion dans le produit. Une erreur de polarité peut provoquer une explosion. Les piles ne sont pas incluses.
27. L'adaptateur de centrale d'alimentation est utilisé comme dispositif de déconnexion, le dispositif de déconnexion doit rester facilement utilisable. Par conséquent, assurez-vous qu'il y a de l'espace autour de la prise de courant pour faciliter l'accès.

Éléments du produit – Contenu du paquet



1 Robot aspirateur



1 Station de charge



2 Batteries



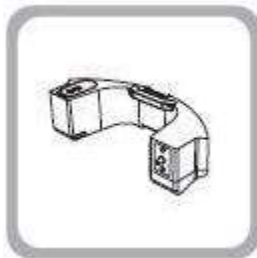
1 Télécommande



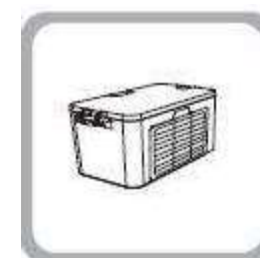
1 Adaptateur



1 Ensemble de support de serpillière



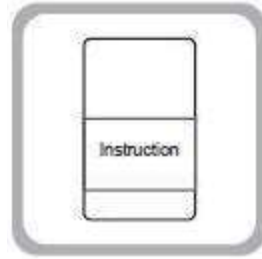
1 Réservoir d'eau



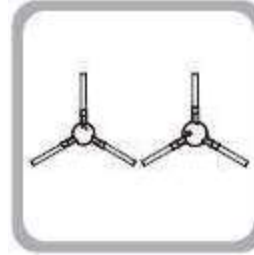
1 Bac à poussières



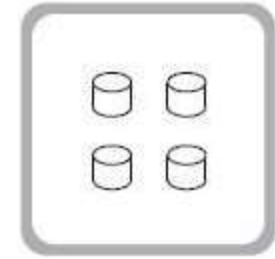
1 Brosse de nettoyage



1 Guide d'utilisation



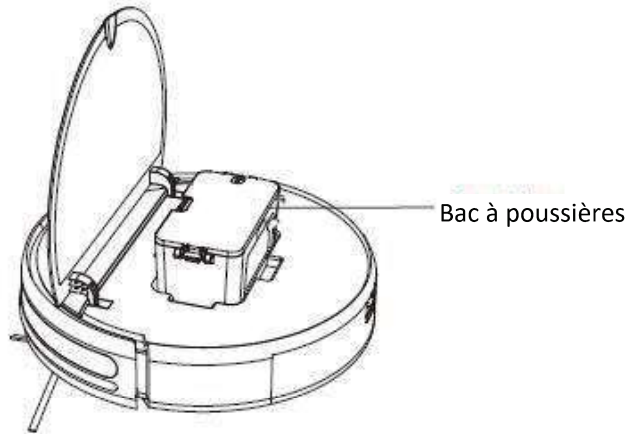
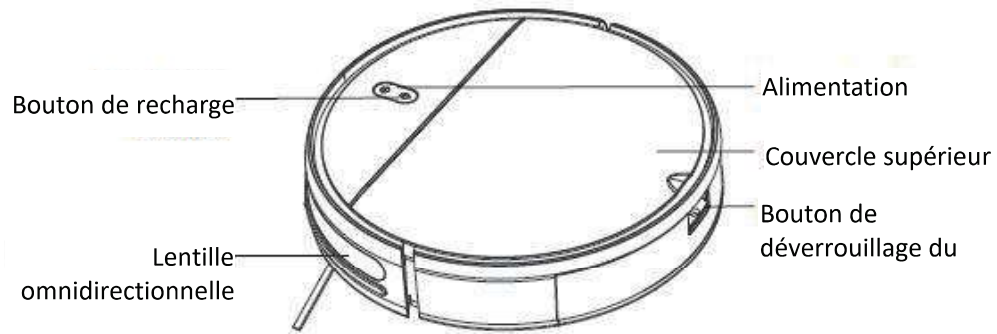
2 Brosses latérales



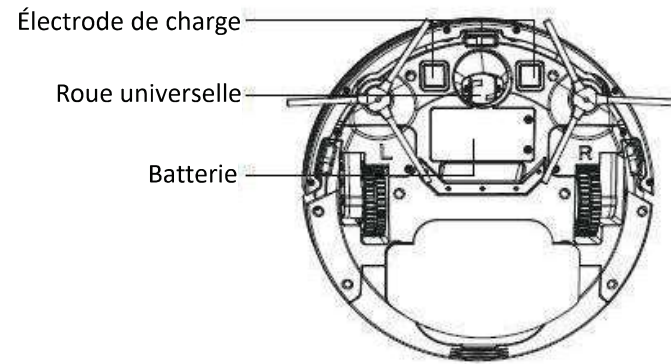
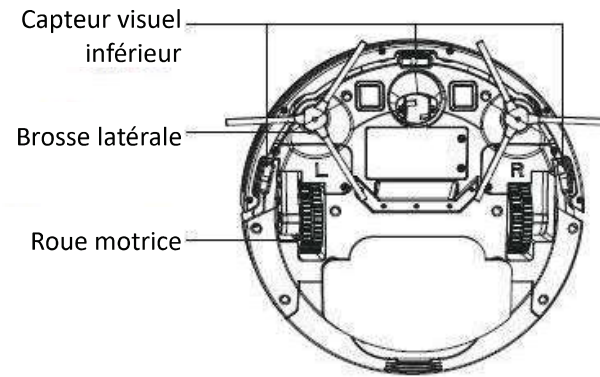
4 Filtres en coton

Éléments du produit – Description des pièces

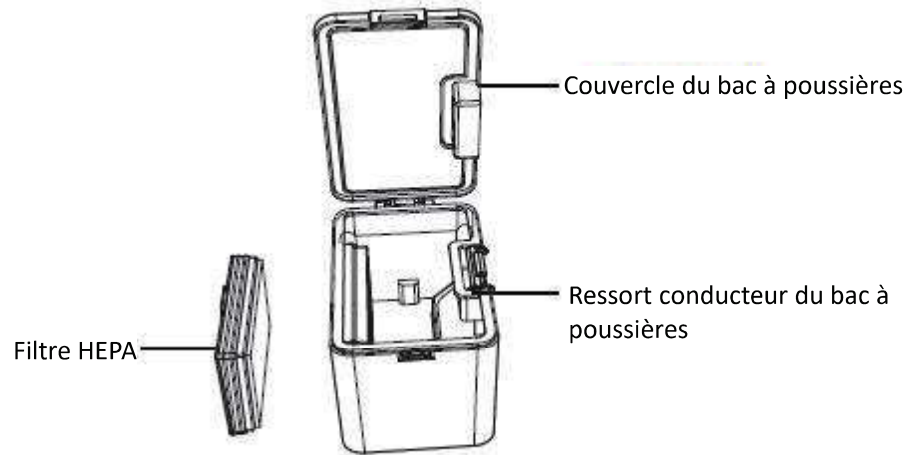
Avant de l'unité principale



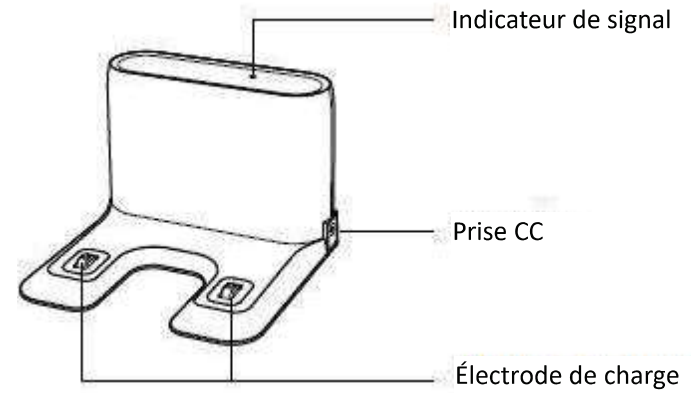
Arrière de l'unité principale



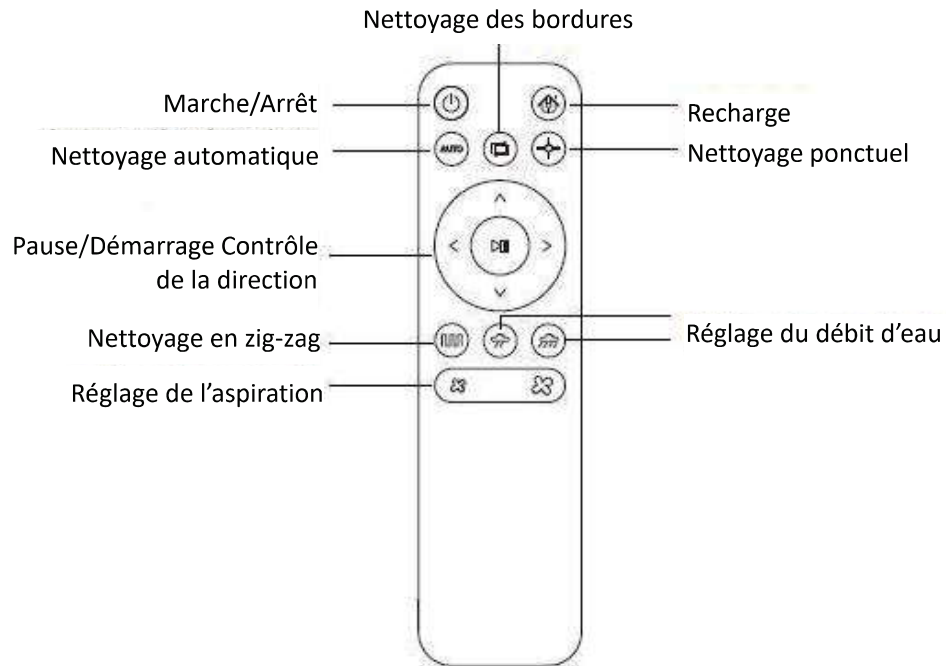
Bac à poussières



Station de charge



Télécommande

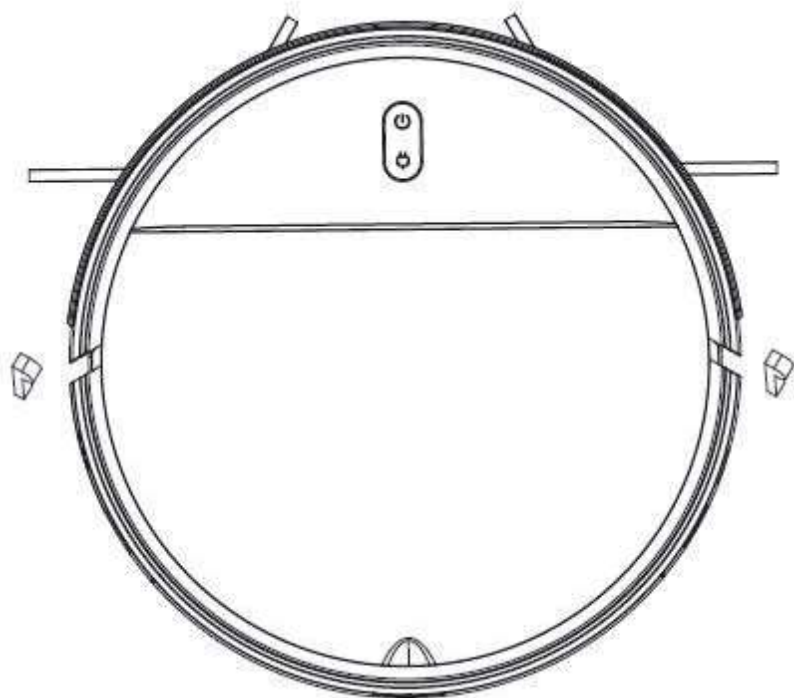


Préparation

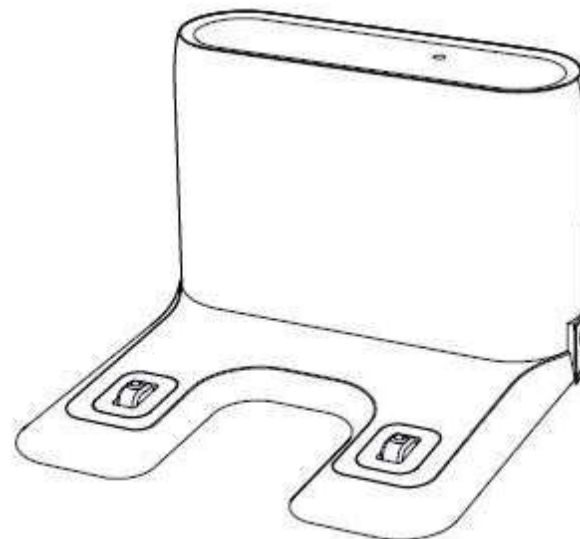
Retrait des bandes de protection

Avant d'utiliser le nettoyeur, retirez les bandes de protection du nettoyeur.

Retrait des bandes de protection

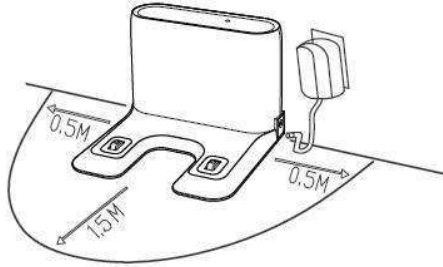


Retrait du film protecteur

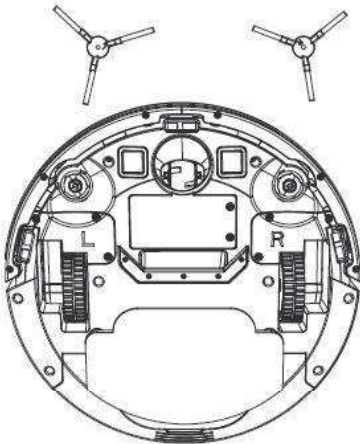


Utilisation du produit – Charger le Robot aspirateur nettoyeur

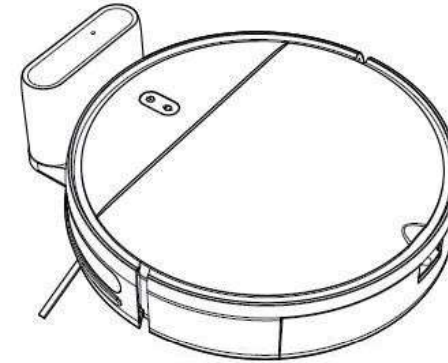
1. Placez la station de charge sur un sol plat contre le mur. Ne placez aucun article à 0,5 m à gauche et à droite de la station de charge ou à 1,5 m devant la station de charge.




2. Branchez la station de charge à l'alimentation.
3. Installez les brosses latérales gauche et droite.



4. Charge : Placez l'unité principale sur la station de charge pour la charger. Pendant la charge, le voyant clignote. Une fois la charge terminée, le témoin reste allumé. Il faut environ cinq heures pour effectuer une charge complète de l'unité principale.



Pendant le nettoyage, l'unité principale vérifie automatiquement son niveau de charge. Si le niveau est insuffisant, l'unité principale active le mode Retour à la station de charge et retourne automatiquement à la station de charge pour initier sa charge.

Vous pouvez également appuyer sur le bouton  sur la télécommande pour demander à l'unité principale d'activer le mode Retour à la station de charge.

ⓘ Attention :

1. N'utilisez pas la station de charge dans des environnements réfléchissants tels qu'un environnement exposé à la lumière directe du soleil ou un environnement avec des miroirs à proximité. Si des objets réfléchissants sont présents, couvrez la station de charge à une hauteur de 7 cm par rapport au sol.
2. Pour assurer la durée de fonctionnement normale de l'unité principale, effectuez une charge complète de l'unité principale avant son utilisation. La durée de charge est d'environ cinq heures.
3. Pour assurer la sécurité de la charge et éviter qu'un chiffon humide n'endommage le sol, retirez le réservoir d'eau avant de charger l'unité principale.

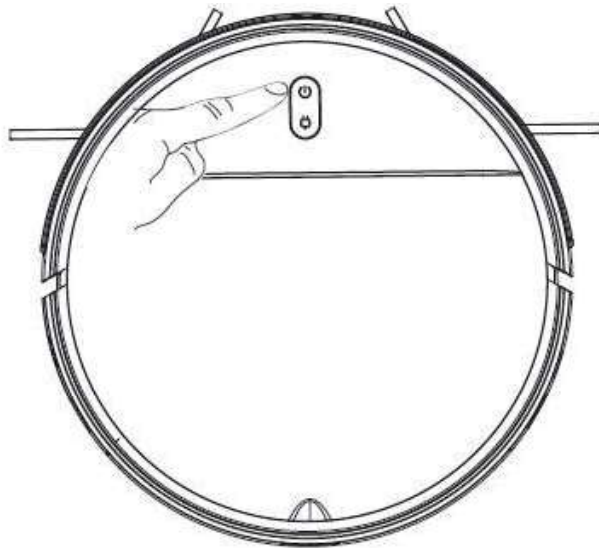
Utilisation du produit – Commencer le nettoyage

Pour répondre à différentes exigences de nettoyage, ce produit propose plusieurs modes de nettoyage que vous pouvez sélectionner. Vous pouvez sélectionner les différents modes de nettoyage via l'unité principale ou la télécommande.

Le robot aspirateur nettoyeur n'est pas conçu pour forcer et passer les seuils et les pas de porte.

Nettoyage automatique

Méthode de réglage : En état Hors tension, appuyez et maintenez le bouton Marche enfoncé. Une fois que le voyant de l'unité principale est allumé, indiquant que l'unité principale est sous tension, appuyez à nouveau sur le bouton Marche pour activer le nettoyage automatique.



Nettoyage ponctuel

Scénario applicable : Le mode de nettoyage est applicable à l'environnement au sol où les déchets sont concentrés. L'unité principale nettoie le sol en suivant un tracé en spirale dans la zone spécifiée et revient à son point d'origine une fois le nettoyage terminé.

Méthode de réglage : Appuyez sur la touche  sur la télécommande pour activer le nettoyage d'un point précis.


Nettoyage des bordures

Scénario applicable : Ce mode de nettoyage est applicable aux coins intérieurs. L'unité principale nettoie le sol le long des bordures d'objets fixes (par exemple, un mur) et retourne à la station de charge une fois le nettoyage terminé.


Méthode de réglage : Appuyez sur la touche  sur la télécommande pour activer le nettoyage des bordures.

Contrôle manuel

Scénario applicable : Contrôlez l'itinéraire et la zone de nettoyage à l'aide des boutons directionnels de la télécommande.

Méthode de réglage : Appuyez sur la touche  sur la télécommande pour contrôler le déplacement en avant, en arrière ou pour faire tourner le robot.

Utilisation du produit – Pause, Réveil et Arrêt

Pause : Lorsque l'unité principale fonctionne, appuyez sur le bouton Marche de l'unité principale ou appuyez sur la touche pause  sur la télécommande pour suspendre l'activité de l'unité principale.

Réveil : Si l'activité de l'unité principale reste suspendue pendant plus de 10 minutes, l'unité principale active le mode veille (le voyant de l'unité principale est éteint). Appuyez sur le bouton Marche de l'unité principale pour réveiller l'unité principale ou appuyez sur la touche Marche sur la télécommande pour redémarrer l'unité principale.

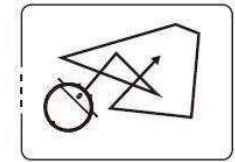
Mise hors tension : Une fois l'activité de l'unité principale suspendue, appuyez et maintenez enfoncé le bouton Marche de l'unité principale. Si le voyant de l'unité principale est éteint, l'appareil est éteint.

* Une fois que l'unité principale a terminé son cycle de nettoyage, il est conseillé de ne pas mettre l'unité principale hors tension. Gardez l'unité principale en état de charge afin d'optimiser son fonctionnement lors de la prochaine opération de nettoyage.

Modes de nettoyage

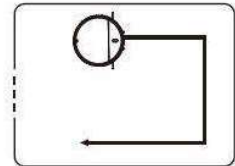
1. Nettoyage automatique

Le robot effectue un nettoyage aléatoire pendant 90 minutes et, une fois le nettoyage terminé, retourne automatiquement à la station de charge pour recharge.



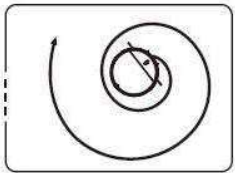
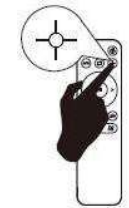
2. Nettoyage des bordures

Le robot effectue un nettoyage des bordures à une distance inférieure à 2 cm du mur.



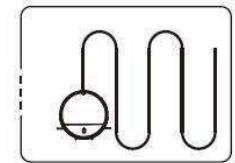
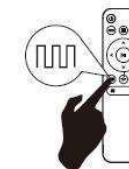
3. Nettoyage ponctuel

Le robot commence à nettoyer en suivant un tracé en spirale vers l'extérieur, puis se déplace en suivant un tracé en spirale vers l'intérieur après avoir atteint le rayon maximum de 0,6 mètre. Le robot termine son cycle de nettoyage après être revenu au point de départ.



4. Nettoyage en zig-zag

En mode Nettoyage en zig-zag, la plus longue distance de nettoyage est de 5 mètres en ligne droite.



Utilisation du produit – Connexion Wi-Fi

1. Télécharger l'App/Créer un compte

Scannez le code QR ici ou recherchez «Tuya Smart » dans l'APP store et téléchargez l'application. Suivez les instructions d'utilisation de l'application pour créer un compte.

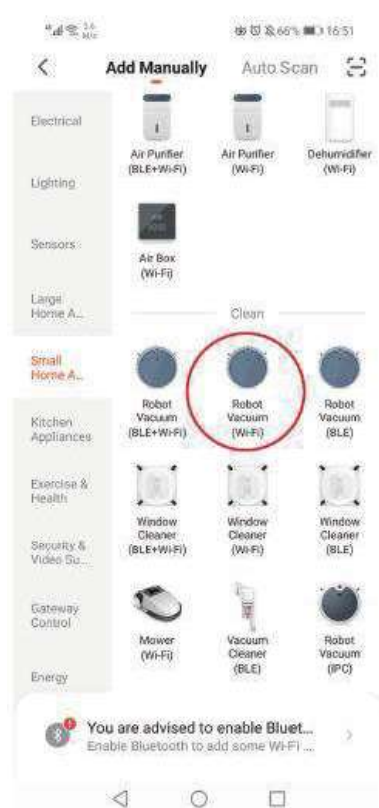
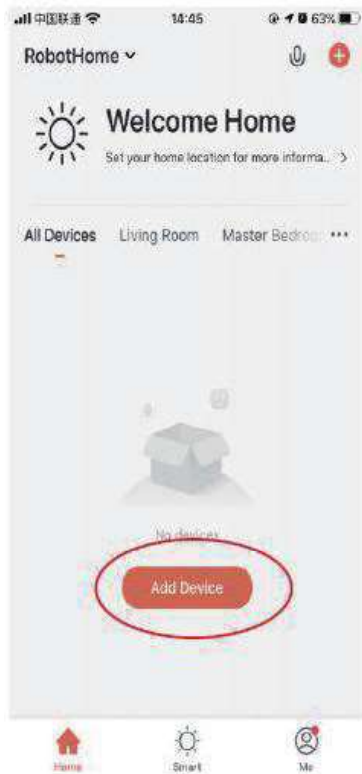


2. Connexion Wi-Fi

Il existe deux modes de connexion Wi-Fi : **Mode EZ** et **Mode AP**.

(1) Mode EZ :

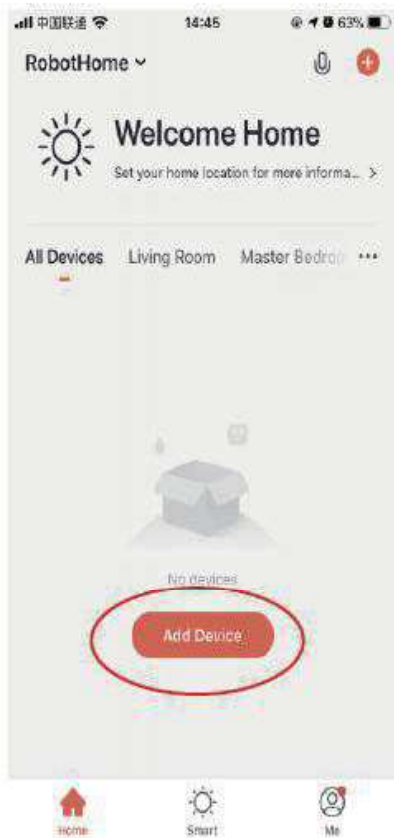
1. Allumez le robot, appuyez et maintenez le bouton Recharge enfoncé pendant 3 secondes pour passer en Mode EZ. Vous entendrez un bip sonore. Le voyant Marche deviendra jaune et clignotera.



2. Connectez-vous à votre application Tuya et cliquez sur « Ajouter un appareil ».
3. Sélectionnez « Petit appareil électroménager », puis choisissez « Robot aspirateur nettoyeur Wi-Fi ».
4. Sélectionnez le réseau Wi-Fi 2,4 GHz et entrez le nom et le mot de passe du réseau Wi-Fi, puis cliquez sur « Suivant ».
5. Sélectionnez Mode EZ, cliquez sur « Confirmer que le voyant clignote rapidement » et sur « Suivant » pour attendre le résultat de la connexion.

(2) Mode AP :

1. Allumez le robot, appuyez et maintenez le bouton Recharge enfoncé pendant 6 secondes pour passer en Mode AP. Vous entendrez deux bips sonores. Le voyant Marche deviendra jaune et clignotera.



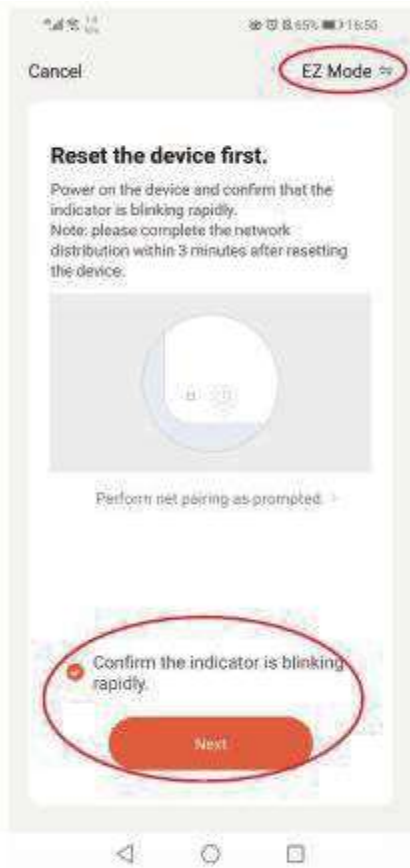
2. Connectez-vous à votre application Tuya et cliquez sur « Ajouter un appareil ».



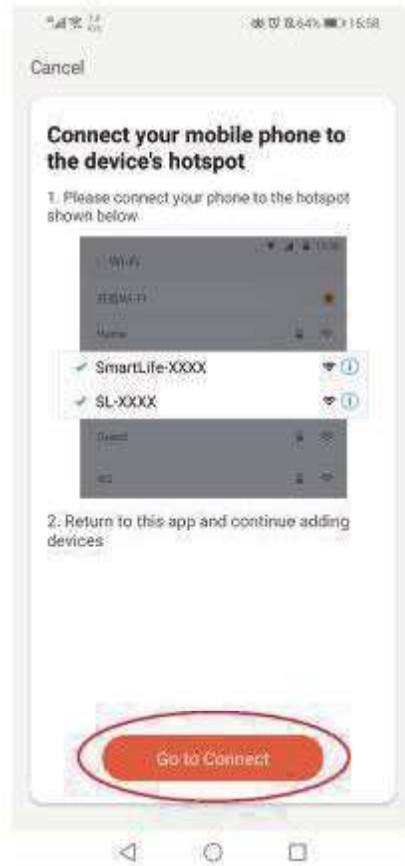
3. Sélectionnez « Petit appareil électroménager », puis choisissez « Robot aspirateur nettoyeur Wi-Fi ».



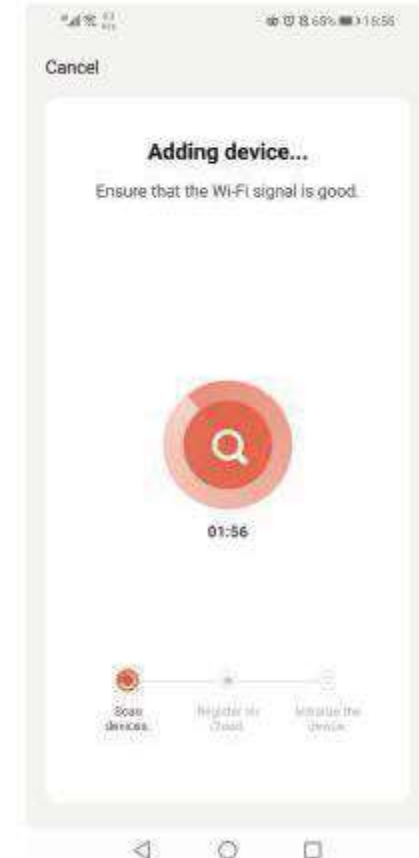
4. Sélectionnez le réseau Wi-Fi 2,4 GHz et entrez le nom et le mot de passe du réseau Wi-Fi, puis cliquez sur « Suivant ».



5. Sélectionnez Mode AP et cliquez sur « Confirmer que le voyant clignote lentement » et sur « Suivant ».



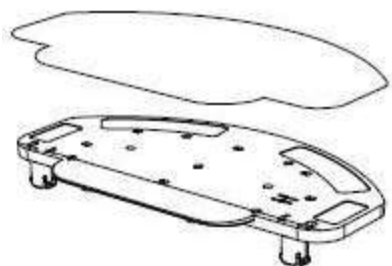
6. Connectez-vous au Point d'accès Wi-Fi qui commence par « SmartLife XXX ».



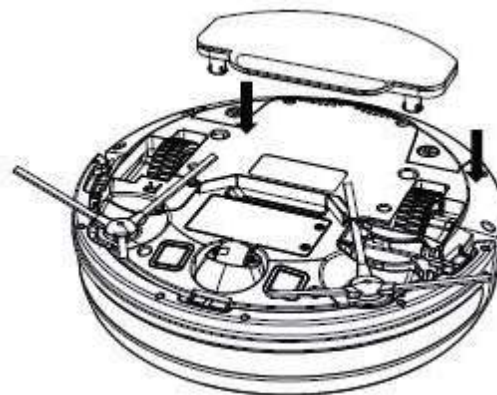
7. Après vous être connecté au Point d'accès Wi-Fi, revenez à l'interface de l'application Tuya et attendez le résultat de la connexion du robot.

Utilisation du produit – Installation du support de serpillière

A. Installez le chiffon de serpillière sur le support de serpillière ;



B. Installez le support de serpillière sur le robot ;

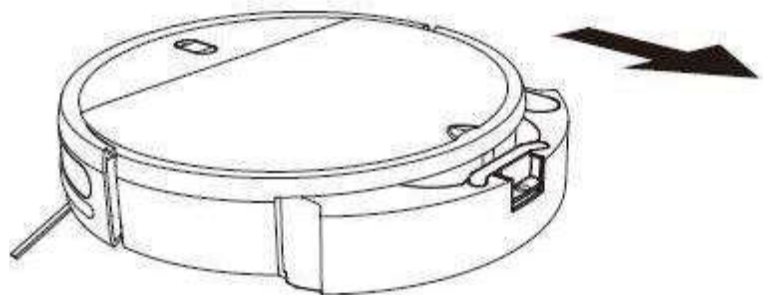


Utilisation du produit – Réservoir d'eau

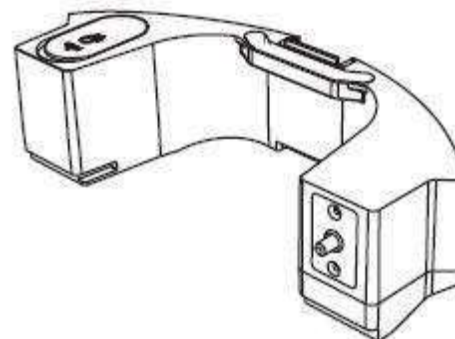
* N'utilisez pas la fonction de serpillière sur des tapis.

* Une fois le nettoyage à la serpillière terminé, nettoyez le réservoir d'eau et retirez le chiffon de serpillière à temps.

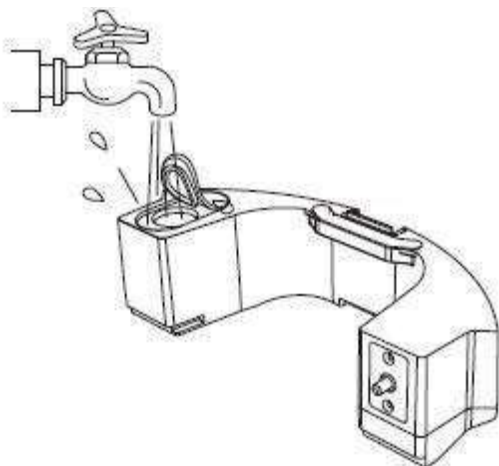
A. Sortez le réservoir d'eau ;



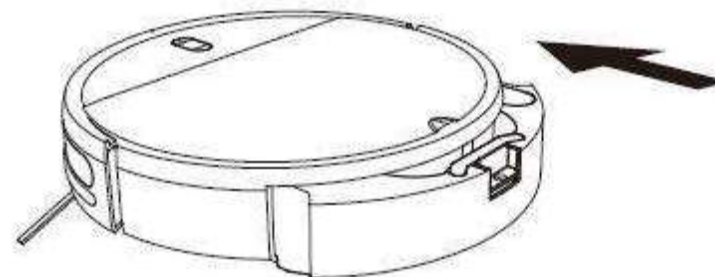
C. Aplatissez le bouchon en caoutchouc ;



B. Ouvrez le bouchon de gel de silice et ajoutez de l'eau ;

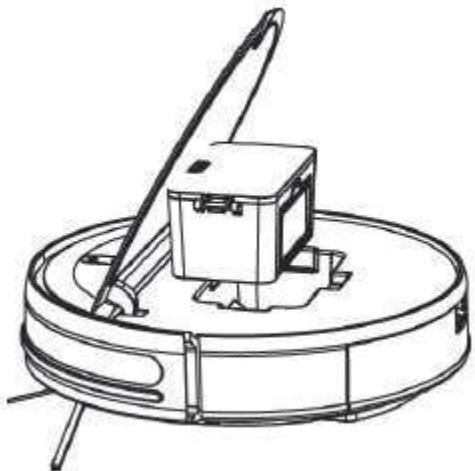


D. Installez le réservoir d'eau sur le robot.

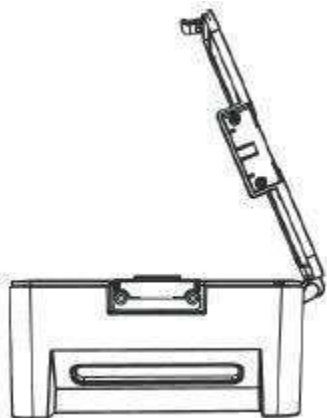


Entretien des pièces – Bac à poussières

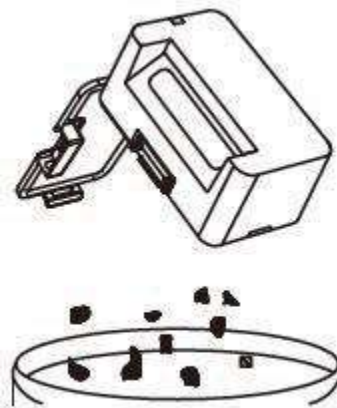
A. Appuyez sur le bouton du bac à poussière pour retirer le bac à poussière.



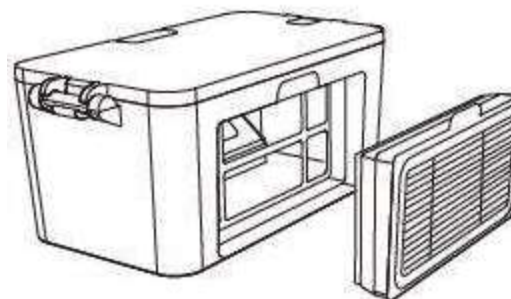
B. Ouvrez le capot latéral du bac à poussières.



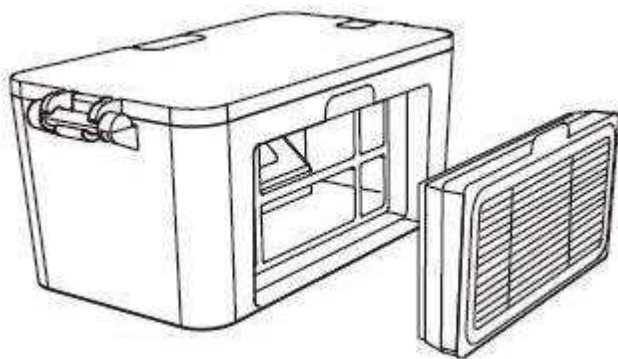
C. Videz le contenu du bac à poussières.



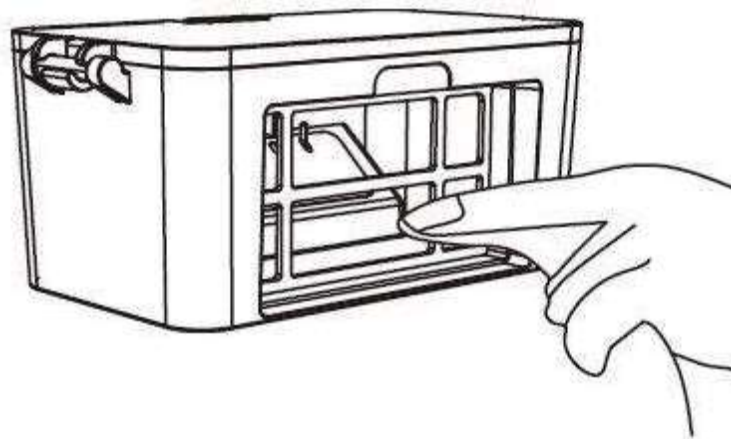
D. Retirez le filtre HEPA.



E. Tapotez le filtre HEPA pour éliminer la poussière.



G. Nettoyez le bac à poussières avec un chiffon.

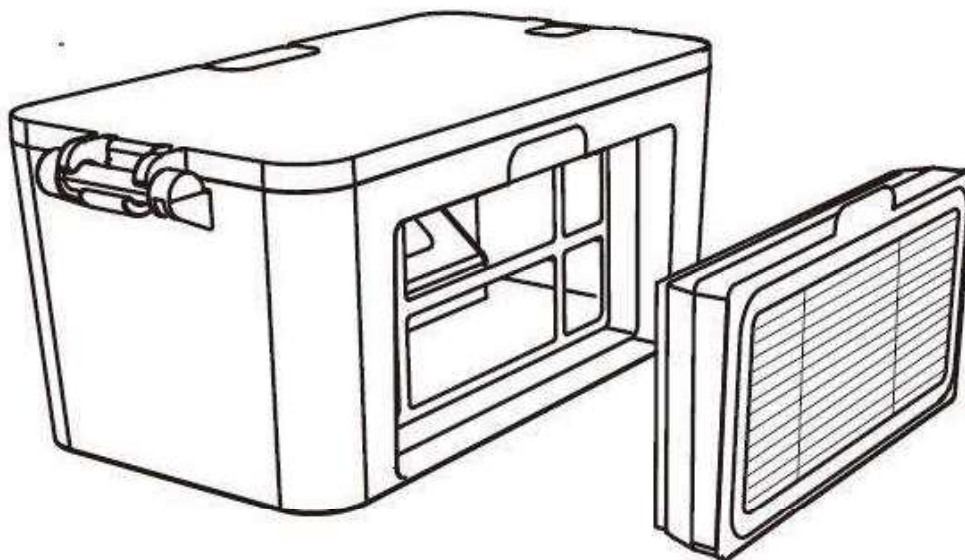
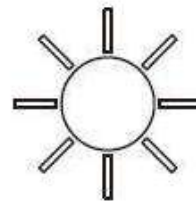


F. Lavez le filtre HEPA.



H. Séchez le bac à poussières et le filtre pour garantir leur durée de vie.

Remarque : Il est recommandé de laver le filtre HEPA tous les 15 à 30 jours. La durée de vie maximale du filtre HEPA est de trois mois.



I. Remettez le filtre HEPA dans le bac à poussières.

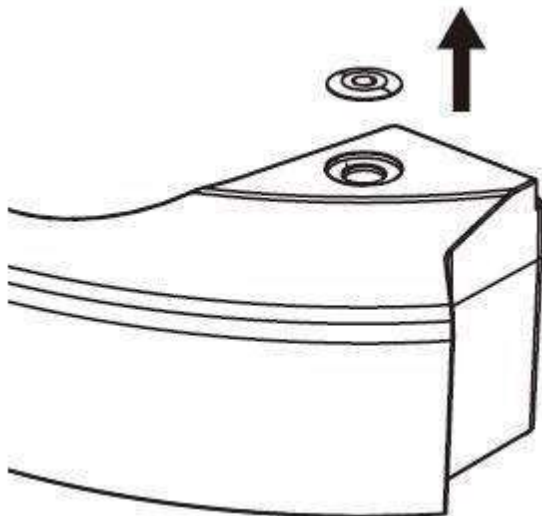
Remarque : 1. Avant d'installer le filtre HEPA, assurez-vous que celui-ci est sec.

2. N'exposez pas le filtre HEPA à la lumière du soleil.

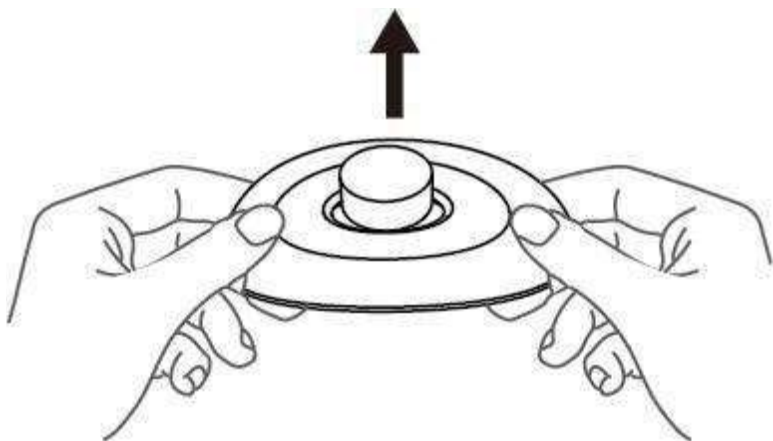
J. Fermez le couvercle du bac à poussières et installez le bac à poussières sur l'unité principale.

Entretien des pièces – Filtre en coton

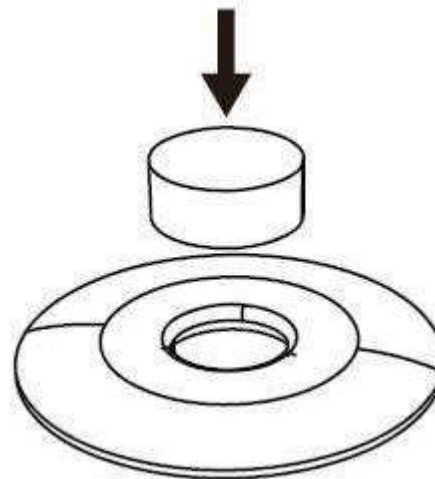
A. Retirez le bouchon en caoutchouc de sortie ;



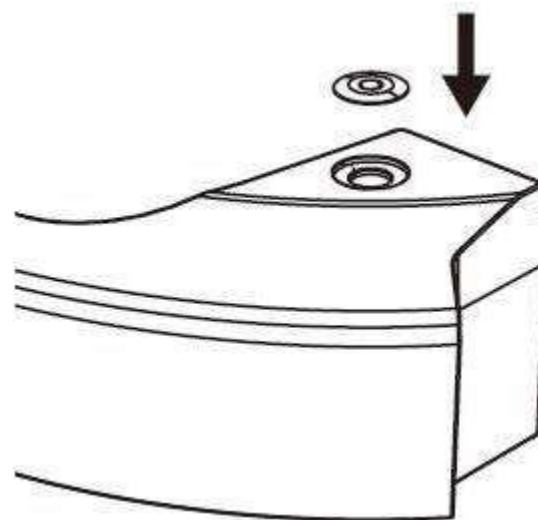
B. Retirez le filtre en coton du bouchon en caoutchouc de sortie ;



C. Remplacez le filtre par un nouveau filtre en coton ;



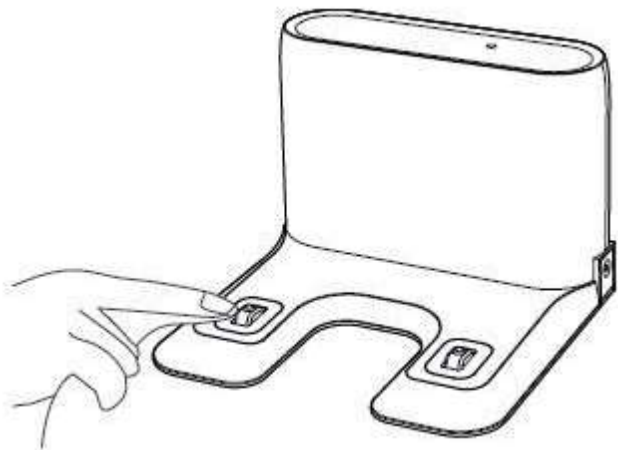
D. Installez le bouchon en caoutchouc de sortie.



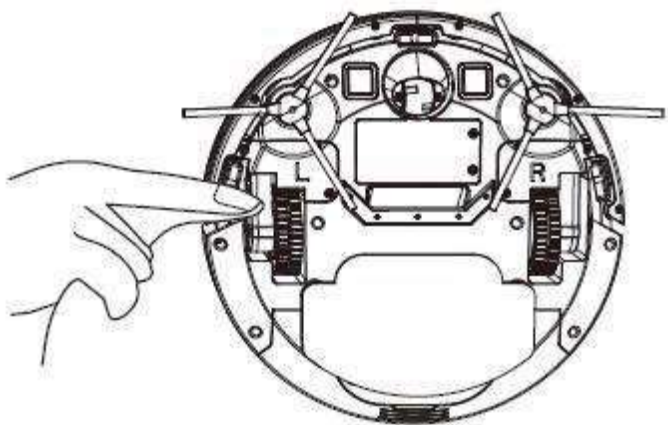
Entretien des pièces – Électrode de charge, capteur visuel inférieur, roue motrice et roue universelle

Remarque : L'électrode de charge, le capteur visuel inférieur et le pare-chocs contiennent des composants électroniques sensibles. Utilisez un chiffon sec pour nettoyer les pièces. N'utilisez pas de chiffon humide car de l'eau pourrait pénétrer dans les pièces et les endommager.

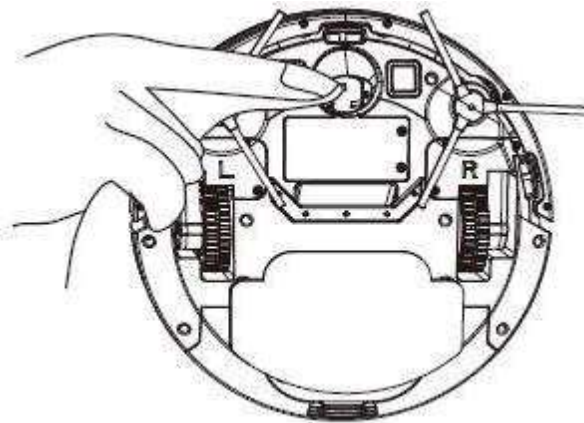
Nettoyage de l'électrode de charge



Nettoyage du capteur visuel inférieur



Nettoyage de la roue motrice et de la roue universelle



- * Si vous n'utilisez pas l'appareil pendant une période prolongée, chargez-le complètement, puis éteignez-le avant de le stocker. Chargez le produit tous les trois mois pour éviter une décharge excessive de la batterie.
- * Si la batterie est trop déchargée ou n'est pas utilisée pendant une longue période, le produit peut ne plus être rechargeable. Contactez le personnel du service après-vente de la société pour la maintenance. Ne démontez pas l'appareil.

Voyants lumineux

Le robot est doté de deux voyants lumineux, celui du haut indique que l'appareil est sous tension et celui du bas indique que l'appareil est en charge. Le voyant a trois couleurs : rouge, vert et jaune. L'état des voyants comprend les voyants éteints, les voyants allumés, le clignotement rapide et le clignotement lent.

Catégorie	État de l'appareil	État du voyant			
		Alimentation		En charge	
		Couleur	État	Couleur	État
1	Marche	Vert	Allumé fixe		Désactivé
2	Mise hors tension		Désactivé		Désactivé
3	Nettoyage	Vert	Désactivé		Désactivé
4	En charge	Vert	Allumé fixe	Jaune	Allumé fixe
5	Charge de batterie faible	Vert	Allumé fixe	Rouge	Allumé fixe
6	Pendant la charge	Vert	Allumé fixe	Vert	Clignote lentement
7	Charge terminée	Vert	Allumé fixe	Vert	Allumé fixe
8	AP WI-FI	Vert	Clignote rapidement	Vert	Clignote rapidement
9	WIFI connecté	Vert	Allumé fixe		Désactivé
10	Avertissement	Rouge	Clignote rapidement		Désactivé
11	Mode veille	Vert	Allumé fixe		Désactivé
12	Mode veille		Désactivé		Désactivé
13	Batterie faible	Rouge	Clignote rapidement		Désactivé
14	Non calibré	Rouge	Clignote rapidement	Rouge	Clignote rapidement
15	Calibré	Vert	Allumé fixe		Désactivé

Spécifications de l'appareil

Catégorie	Catégorie	Caractéristiques
Structure	Diamètre	300 mm
	Hauteur	74 mm
Batterie	Poids net	2,5 kg
	Capacité de la batterie	14,4 V
	Batterie	Batterie au lithium rechargeable 2 500 mAh
Performances	Capacité du bac à poussières	200 ml
	Types de charge	Charge automatique et charge manuelle
	Modes de nettoyage	Nettoyage automatique ; Nettoyage ponctuel ; Nettoyage des bordures
	Durée de charge	Environ 300 minutes
Unité principale	Temps de nettoyage	Environ 100 minutes
	Puissance nominale (W)	28
	Tension de fonctionnement (V)	14,4

* En raison de l'amélioration continue du produit, les spécifications du produit sont soumises au produit réel. Notre société se réserve le droit de mettre à jour le produit.

Remarque - Tous les produits sont susceptibles d'être modifiés sans préavis. Ce document est établi sous toute réserve d'erreur et d'omission.

TOUS DROITS RÉSERVÉS, COPYRIGHT DENVER A/S



denver.eu



Les équipements électriques et électroniques et les piles ou batteries qu'ils renferment contiennent des matériaux, composants et substances qui peuvent nuire à votre santé et à l'environnement si ces déchets (appareils électriques et électroniques ainsi que piles et batteries) ne sont pas traités de façon appropriée.

Les équipements électriques et électroniques, ainsi que les piles et batteries, sont marqués du symbole d'une poubelle barrée, comme illustré ci-dessus. Ce symbole indique que les appareils électriques et électroniques et les piles et batteries doivent être triés et jetés séparément des ordures ménagères.

En tant qu'utilisateur final, il est important que vous jetiez les piles et batteries usagées dans des centres de collecte appropriés. En mettant au rebut les piles et batteries afin qu'elles soient recyclées conformément à la réglementation, vous contribuez à préserver l'environnement.

Toutes les municipalités disposent de points de collecte dans lesquels les appareils électriques et électroniques ainsi que les piles et batteries peuvent être déposés sans frais en vue de leur recyclage, ou offrent des services de ramassage des déchets. Vous pouvez obtenir des informations supplémentaires auprès des services de votre municipalité.

Par la présente, Denver A/S déclare que l'équipement radioélectrique du type RVC-110 est conforme à la directive 2014/53/EU. Le texte intégral de la déclaration de conformité UE est disponible à l'adresse Internet suivante : denver.eu, et cliquez sur l'icône de recherche située en haut de la page. Numéro de modèle : RVC-110. Entrez dans la page produit, la directive RED se trouve dans Téléchargements/Autres téléchargements.

Plage de fréquence de fonctionnement : 2400MHz-2483.5MHz

Puissance de sortie maximale : 19dBm

DENVER A/S

Omega 5A, Soeften

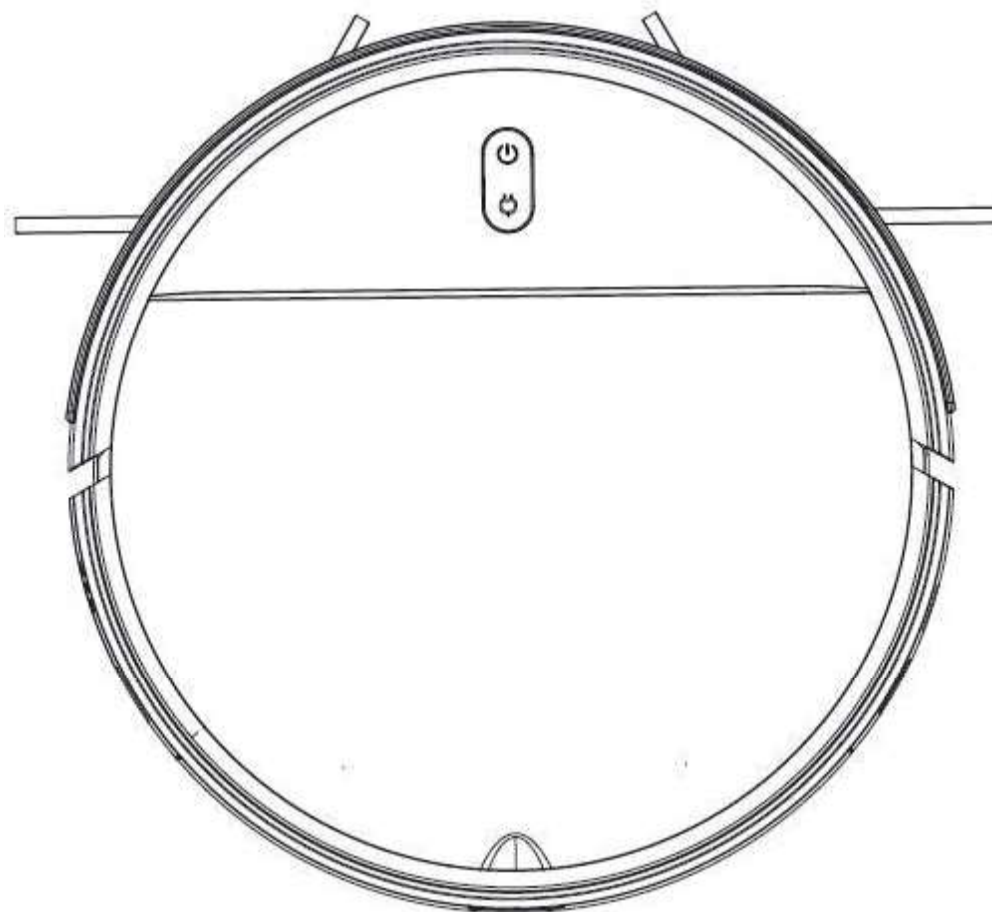
DK-8382 Hinnerup

Danemark

www.facebook.com/denver.eu

Manual de instrucciones del robot aspirador

Modelo: RVC-110



www.denver.eu

facebook.com/Denver.eu

Instrucciones de seguridad

Lea detenidamente estas instrucciones de seguridad antes de usar el producto por primera vez y guarde las instrucciones como referencia futura.

1. Mantenga el producto fuera del alcance de los niños y mascotas para evitar que lo mastiquen o se lo traguen.
2. Advertencia: Este producto incluye una batería de iones de litio.
3. Nunca abra el producto. El producto solo puede desmontarlo personal cualificado. No se recomienda que los usuarios realicen mantenimientos o reparaciones.
4. Cárguelo únicamente con el cargador que se adjunta. No use accesorios no originales con el producto ya que esto puede provocar una funcionalidad anormal del producto.
5. No toque las tomas de los cables o partes de la carcasa cuando el producto esté en modo limpieza
6. No se siente sobre el producto.
7. Antes de usar este producto, retire todos los elementos vulnerables como lámparas, artículos de vidrio, cortinas y otros obstáculos que puedan enredarse entre las cerdas o en el paso de succión del aire.
8. No doble cables o coloque objetos pesados sobre el aparato.
9. Este producto es un producto doméstico. Este producto está diseñado para usarse en el interior y en condiciones secas. No lo use en el exterior.
10. No use el producto en entornos húmedos como el baño
11. Para evitar accidentes, informe a otras personas del domicilio cuando el producto se encuentre limpiando.
12. Vacíe el depósito de polvo antes de usarlo. Un depósito de polvo llena afectará la eficiencia de limpieza y disminuirá la capacidad de succión.
13. La temperatura de funcionamiento y almacenamiento del producto es de 0 grados Centígrados a 40 grados Centígrados. Los entornos que se encuentren por debajo y por encima de esta temperatura pueden afectar al funcionamiento.
14. Use únicamente la pila recargable y el asiento de carga que proporciona el proveedor. Están terminantemente prohibidas las pilas recargables; remítase a los “parámetros del producto” para la especificación de las pilas.
15. No use el producto en ambientes con llamas vivas o productos frágiles.
16. Queda prohibido usar los productos con temperaturas extremadamente cálidas (por encima de los 40 grados) o extremadamente frías (por debajo de los 0 grados). La garantía no cubre los daños causados por esto.
17. No toque los productos cuando estén encendidos y limpiando. Mantenga el pelo, ropa, dedos y otras partes del cuerpo alejados de la abertura de los productos.
18. El producto no puede absorber ninguna Piedra o residuo de papel ya que esto puede atascar el producto.
19. El producto no puede absorber ningún artículo que se esté quemando como cigarrillos, cerillas, cenizas, etc. que pueden causar un incendio
20. Asegúrese de mantener el producto alejado de cualquier sustancia inflamable como tóner de impresora o fotocopiadora y otros líquidos inflamables.
21. No coloque artículos en la abertura de succión. No use el producto cuando el puerto de succión esté bloqueado. Limpie el polvo, pelo de lana y algodón, etc. en la abertura de succión para asegurar una circulación del aire suave en la abertura.
22. Use con cuidado el cable de alimentación para evitar daños. No tire, arrastre o use el cable de alimentación como asa cuando mueva el asiento de carga.
23. No coloque el cable de alimentación en aperturas de puertas u otros lugares donde pueda causar daños. Asegúrese de que hay espacio libre alrededor del cable de alimentación y asiento de carga.

24. No use un asiento de carga o un cable de carga que presenten daños.
25. Advertencia: Este mando a distancia contiene pilas AAA. Use solo pilas AAA en el mando a distancia.
26. Nunca use pilas antiguas y nuevas o diferentes tipos de pilas juntas. Retire las pilas cuando no vaya a utilizar el producto durante un periodo de tiempo largo. Compruebe la polaridad (+/-) de las pilas cuando las inserte en el producto. Una colocación incorrecta puede causar una explosión. No se incluyen las pilas.
27. El adaptador de la estación de alimentación se usa como dispositivo de desconexión; el dispositivo de conexión debe estar completamente operativo. Asegúrese de que hay espacio alrededor de la toma de alimentación para disponer de un acceso fácil.

Composición del producto: contenidos del envase



1 robot aspirador



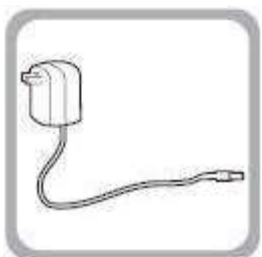
1 base de carga



2 baterías



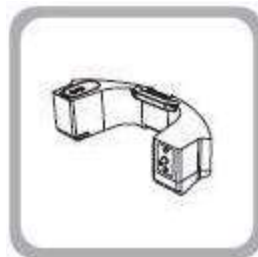
1 mando a distancia



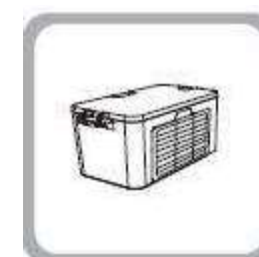
1 adaptador



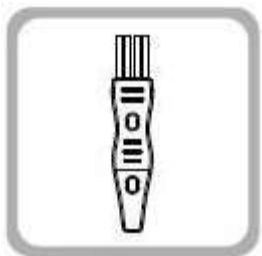
1 soporte de mopa



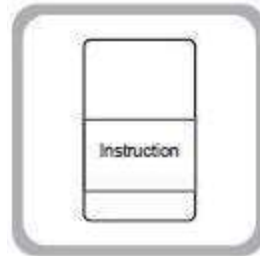
1 depósito de agua



1 depósito de polvo



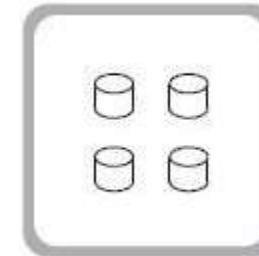
1 cepillo de limpieza



1 manual de instrucciones



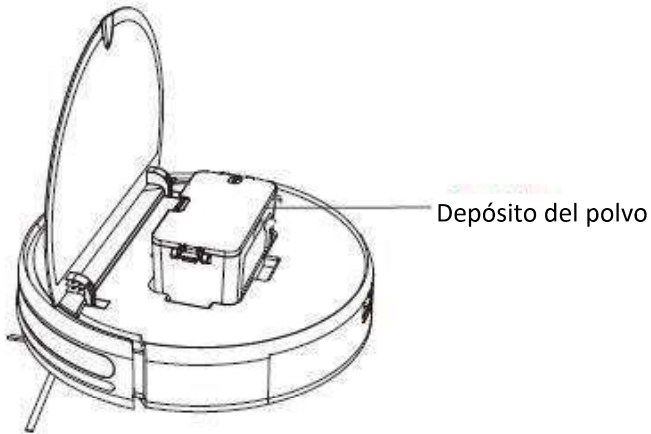
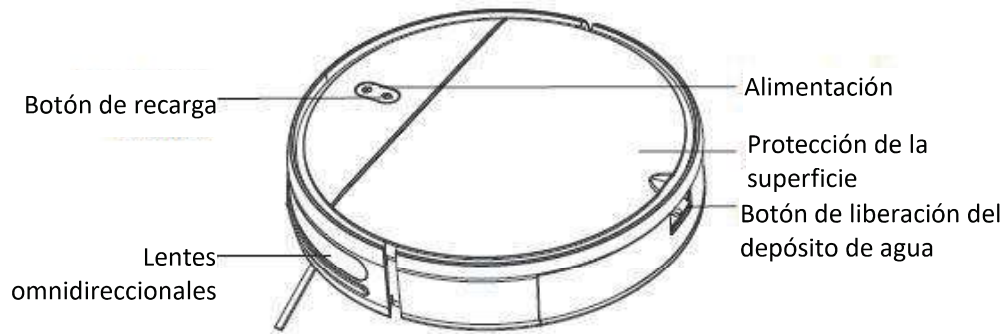
2 cepillos laterales



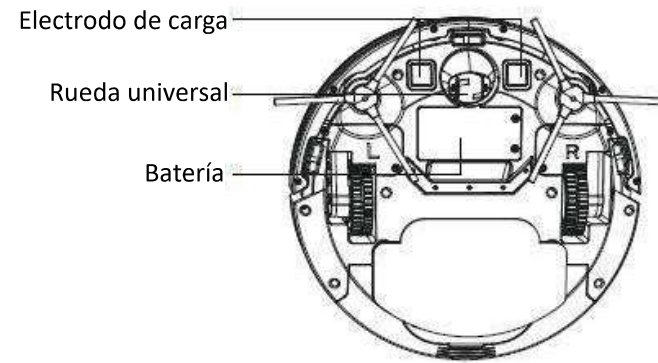
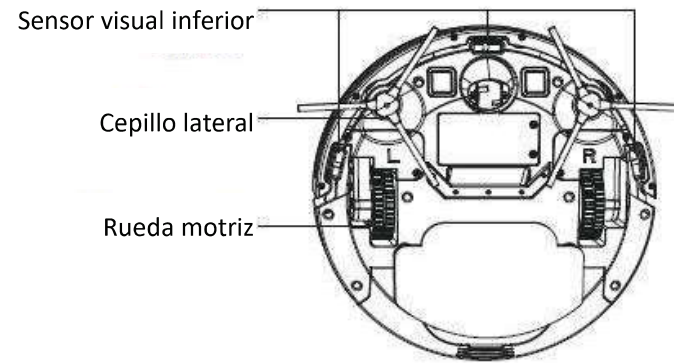
4 filtros de algodón

Composición del producto: descripción de los componentes

Parte delantera de la unidad principal



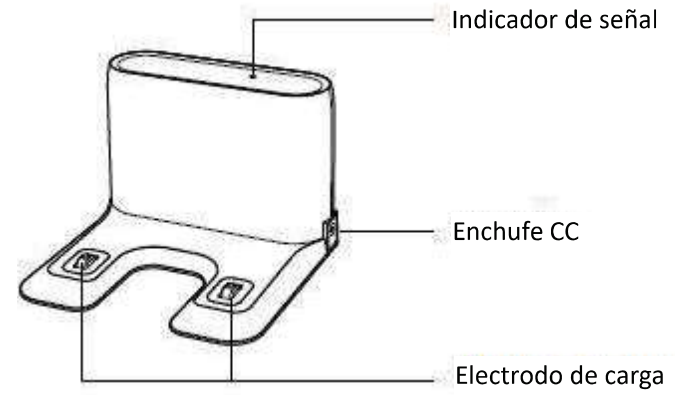
Parte posterior de la unidad principal



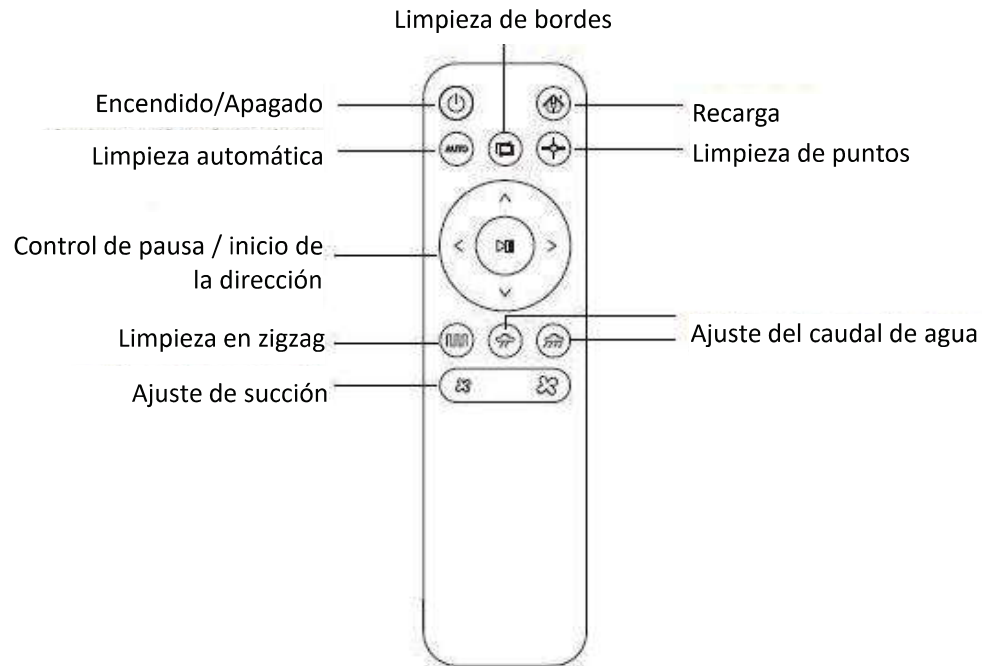
Depósito del polvo



Base de carga



Mando a distancia

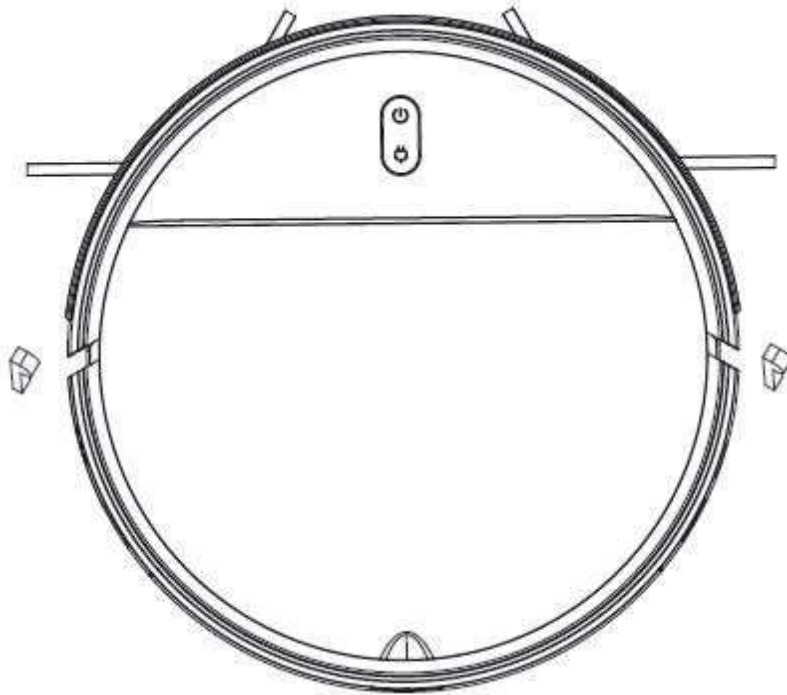


Preparativos

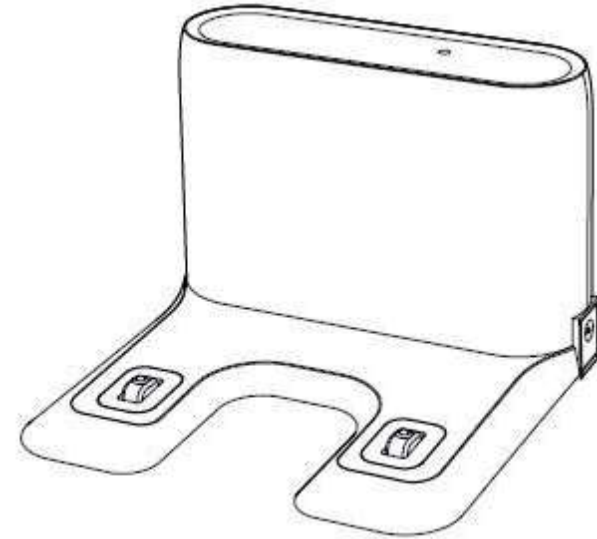
Retirada de las cintas protectoras

Antes de usar el limpiador, retire las cintas protectoras del mismo.

Retirada de las cintas protectoras

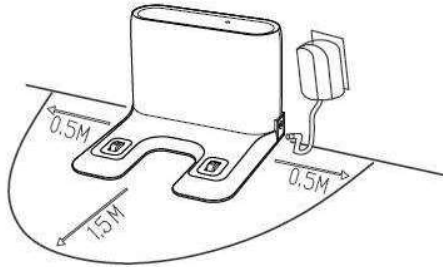


Retirada de la película protectora

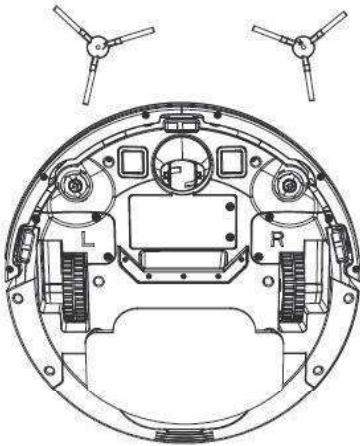


Uso del producto: carga del robot aspirador

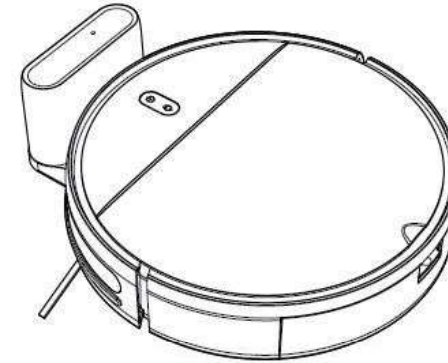
1. Coloque la base de carga en un suelo plano contra la pared. No coloque ningún elemento a 0.5 m a la izquierda o derecha de la base de carga o a 1.5 m de la parte delantera de la base de carga.



2. Conecte la base de carga a la alimentación.
3. Instale los cepillos laterales izquierdo y derecho.



4. Cargando: Coloque la unidad principal en la base de carga para cargar la unidad principal. Durante la carga, el indicador parpadea. Cuando la carga se complete, el indicador se queda encendido de forma constante. Se tardan aproximadamente cinco horas en cargar completamente la unidad principal.



Durante la limpieza, la unidad principal comprueba automáticamente su nivel de potencia.

Si la potencia no es suficiente, la unidad principal activa el modo de vuelta a la base de carga y vuelve automáticamente a la base de carga para cargarse.

De forma alternativa, puede pulsar el botón  del mando a distancia para ordenar a la unidad principal que active el modo de vuelta a la base de carga.

Precaución:

1. No use la base de carga en entornos reflectantes como en un entorno expuesto a la luz solar directa y a entornos con espejos cercanos. Si hay objetos reflectantes, cubra la base de carga a una altura de 7 cm desde la parte inferior.
2. Para asegurar la duración de funcionamiento normal de la unidad principal, cargue completamente la unidad principal antes de usarla. El tiempo de carga es de aproximadamente cinco horas.
3. Para asegurar la seguridad de la carga y evitar que un paño húmedo dañe el suelo, retire el depósito de agua antes de cargar la unidad principal.

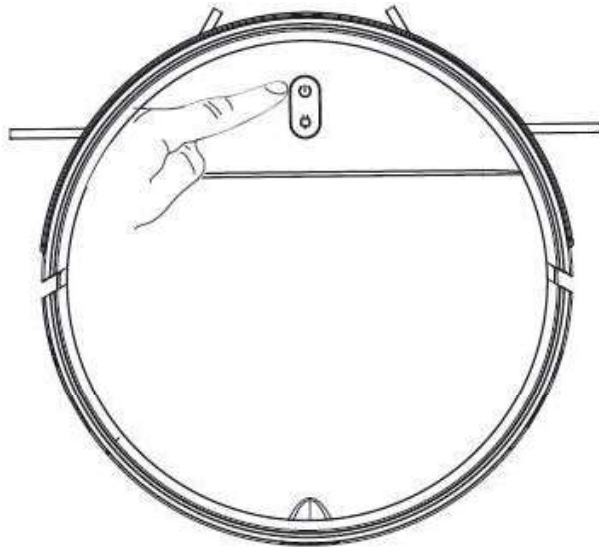
Uso del producto: inicio de la limpieza

Para las diferentes exigencias de limpieza, este producto ofrece múltiples modos de limpieza entre los que elegir. Puede usar diferentes modos de limpieza a través de la unidad principal o del mando a distancia.

El robot aspirador no se ha creado para forzar y superar umbrales de puertas.

Limpeza automática

Método de configuración: En el estado de apagado, mantenga pulsado el botón de alimentación. Una vez que se encienda el indicador de la unidad principal, indicando que la unidad está encendida, vuelva a pulsar el botón de alimentación para habilitar la limpieza automática.



Limpeza de puntos

Escenario aplicable: El modo de limpieza es aplicable a entornos de suelo donde se concentra la suciedad. La unidad principal limpia el suelo en una ruta en espiral en el área especificada y vuelve al punto original tras su limpieza.

Método de configuración: Pulse la tecla  en el mando a distancia para habilitar la limpieza de punto fijo.


Limpeza de bordes

Escenario aplicable: El modo de limpieza es aplicable a las esquinas interiores. La unidad principal limpia el suelo a lo largo de los bordes de objetos fijos (por ejemplo, pared) y vuelve a la base de carga tras la limpieza.


Método de configuración: Pulse la tecla  en el mando a distancia para habilitar la limpieza a lo largo de los bordes.

Control manual

Escenario aplicable: Controle la ruta de limpieza y el área usando los botones direccionales del mando a distancia.

Método de configuración: Pulse la tecla  en el mando a distancia para controlar el movimiento hacia adelante, el movimiento hacia atrás y la realización de un giro del producto

Uso del producto: pausa, despertar y apagado

Pausa: Cuando la unidad principal está en funcionamiento, pulse el botón de alimentación de la unidad principal o pulse la tecla pausa  del mando a distancia para suspender la unidad principal.

Despertar: Una vez que la unidad principal lleva suspendida más de 10 minutos, la unidad principal activa el modo retardo (el indicador de la unidad principal está apagado). Pulse el botón de alimentación de la unidad principal para despertar a la unidad principal o pulse la tecla de alimentación del mando a distancia para reiniciar la unidad principal.

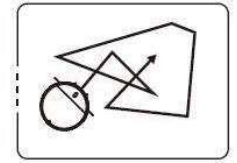
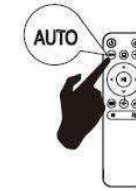
Apagado: Una vez que la unidad principal está suspendida, mantenga pulsado el botón de alimentación de la unidad principal. Si el indicador de la unidad principal está apagado, el producto está apagado.

* Una vez que la unidad principal completa el funcionamiento, se le aconseja que apague la unidad principal. Mantenga la unidad principal en estado de carga de forma que pueda funcionar mejor en la siguiente operación.

Modos de limpieza

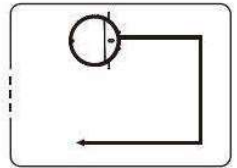
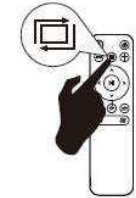
1. Limpieza automática

El robot realiza una limpieza aleatoria durante 90 minutos, y una vez que acaba la limpieza, vuelve automáticamente a la base de carga para recargarse.



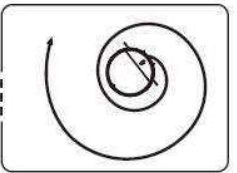
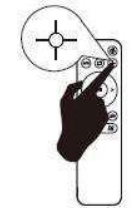
2. Limpieza de bordes

El robot realiza la limpieza de bordes con una distancia inferior a 2CM de la pared.



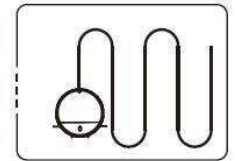
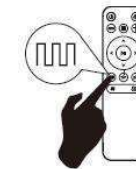
3. Limpieza de puntos

El robot inicia la limpieza en un movimiento en espiral hacia afuera y posteriormente se mueve en un movimiento en espiral hacia adentro tras alcanzar el radio máximo de 0.6 metros. El robot termina la limpieza tras volver al punto de inicio.



4. Limpieza en zigzag

Bajo el modo de limpieza en zigzag, la mayor distancia de limpieza es de 5 metros en línea recta.



Uso del producto: conexión Wi-Fi

1. Descarga de la aplicación / registro

Escanee aquí el código QR o busque “Tuya Smart ” en la APP store y descárguela. Siga las instrucciones de funcionamiento de la aplicación para registrar una cuenta.

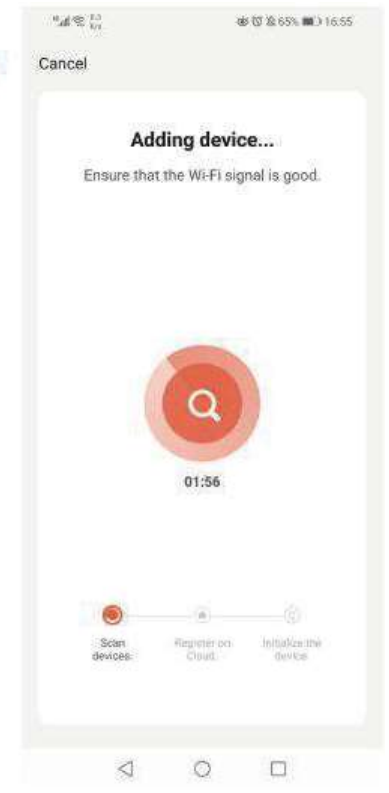
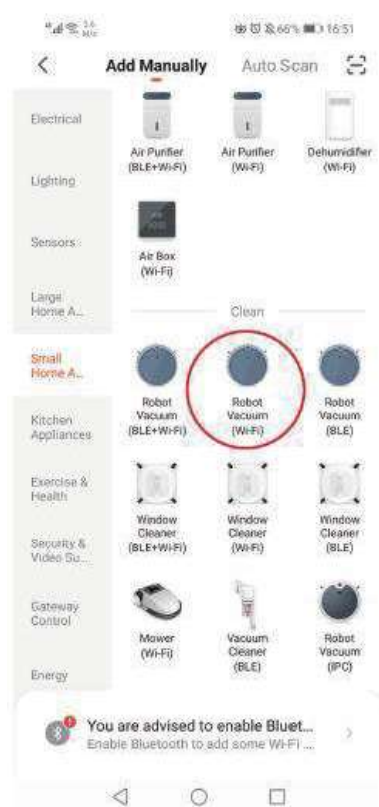
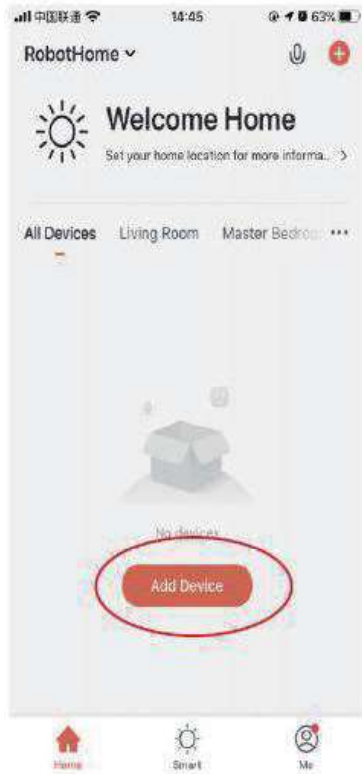


2. Conexión Wi-Fi

Existen dos modos de conexión Wi-Fi: **Modo EZ** y **Modo AP**.

(1) Modo EZ:

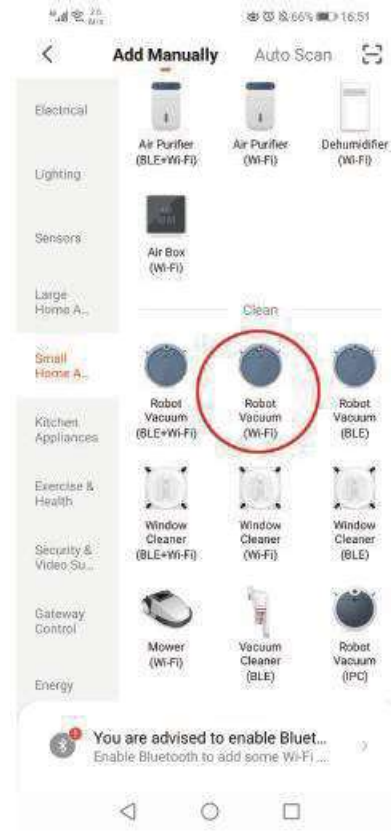
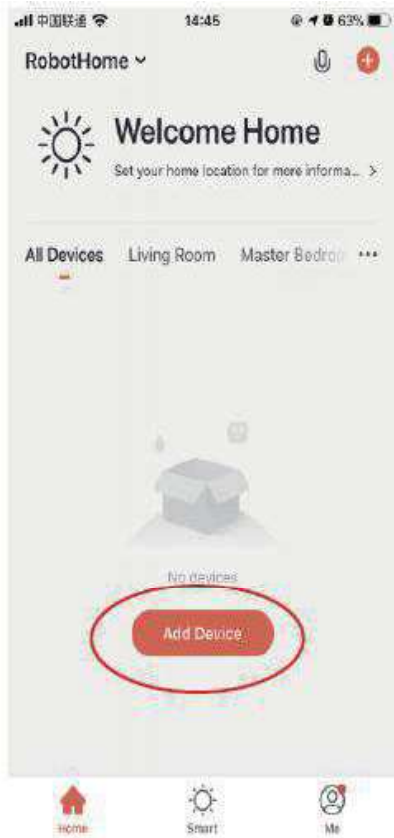
1. Encienda el robot y mantenga pulsado el botón de recarga durante 3 segundos para entrar en el modo EZ; oirá un sonido de pitido. La luz del indicador de alimentación se vuelve amarilla y parpadea.



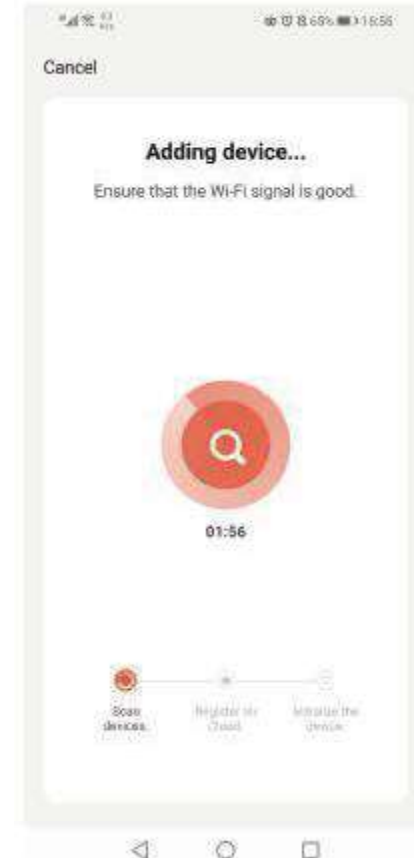
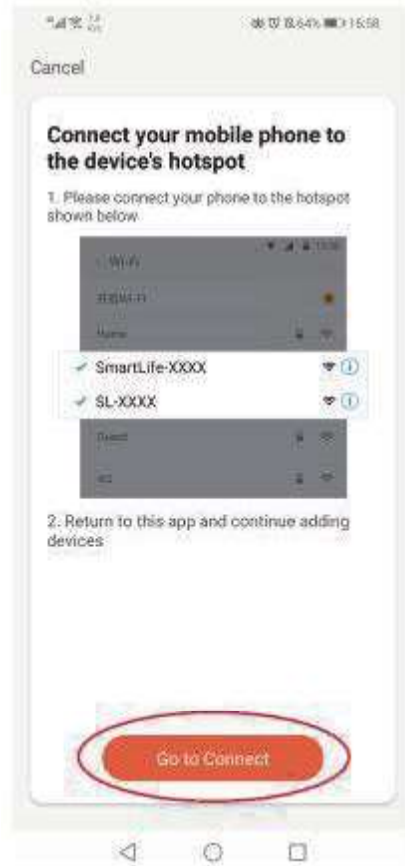
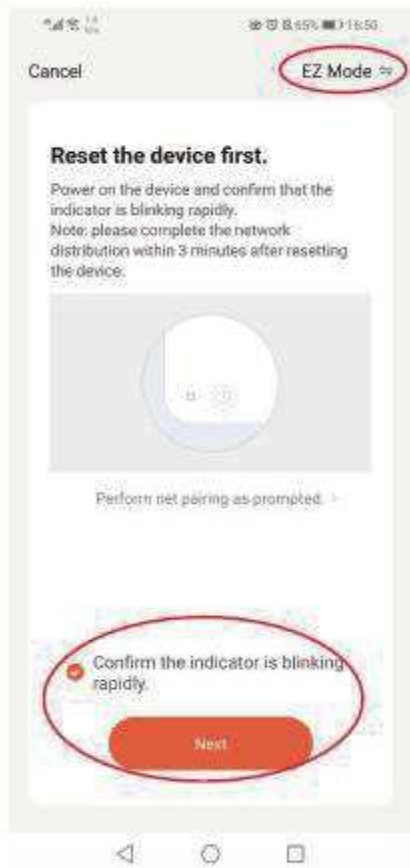
2. Inicie sesión en la Tuya APP y haga clic en “Añadir dispositivo”.
3. Seleccione “Pequeño electrodoméstico” y posteriormente elija “Robot aspirador Wi-Fi”.
4. Seleccione una red Wi-Fi de 2,4 GHz e introduzca el nombre de la Wi-Fi y la contraseña y después haga clic en “Siguiente”.
5. Seleccione modo EZ, haga clic en “Confirmar que el indicador parpadea rápidamente” y en “Siguiente” para esperar el resultado de la conexión.

(2) Modo AP:

1. Encienda el robot y mantenga pulsado el botón de recarga durante 6 segundos para entrar en el modo AP; oírás dos pitidos. La luz del indicador de alimentación se vuelve amarilla y parpadea.



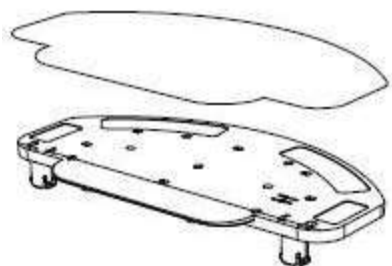
2. Inicie sesión en la Tuya APP y haga clic en "Añadir dispositivo".
3. Seleccione "Pequeño electrodoméstico" y posteriormente elija "Robot aspirador Wi-Fi".
4. Seleccione una red Wi-Fi de 2,4 GHz e introduzca el nombre de la Wi-Fi y la contraseña y después haga clic en "Siguiente".



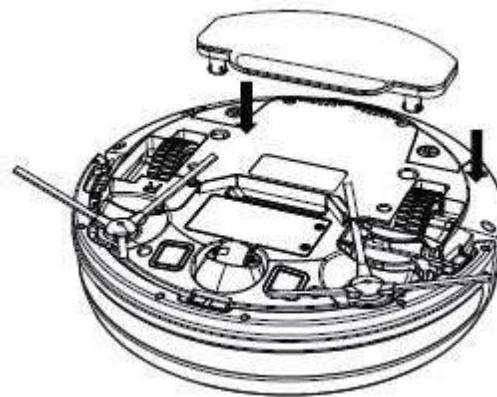
5. Seleccione el modo AP y después haga clic en “Confirmar que el indicador parpadea lentamente” y en “Siguiente”.
6. Conéctese al punto de conexión Wi-Fi que empieza por “SmartLife XXX”.
7. Tras conectarse al punto de conexión Wi-Fi , vuelva a la interfaz de la Tuya APP y espere el resultado de la conexión del robot.

Uso del producto: instalación de soporte de la mopa

A. Instale el paño de la mopa en el soporte de la mopa;



B. Instale el soporte de la mopa en el robot;

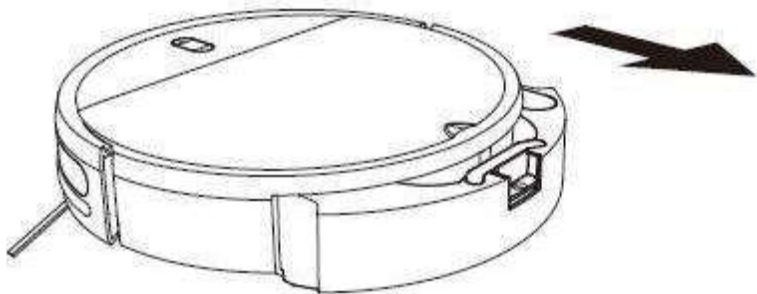


Uso del producto: depósito de agua

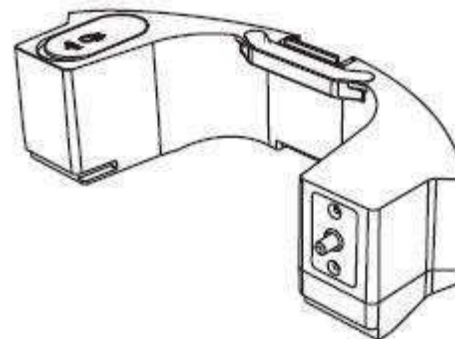
* No use la función de mopa en las alfombras.

* Una vez que ha acabado de pasar la mopa, limpie el depósito de agua y desmonte a tiempo el paño de la mopa.

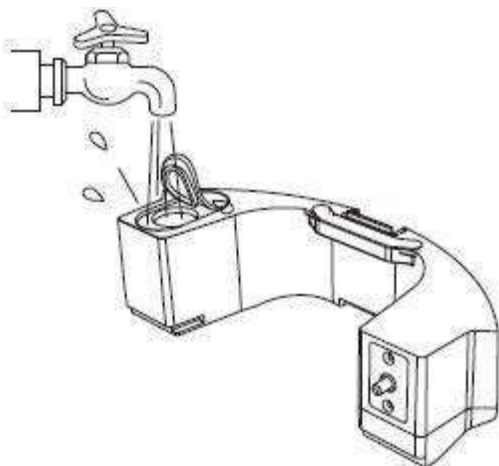
A. Extraiga el depósito de agua;



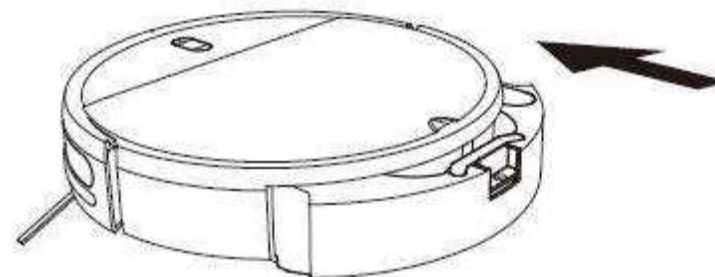
C. Alise el tapón de goma;



B. Abra el tapón de gel de sílice y añada agua;

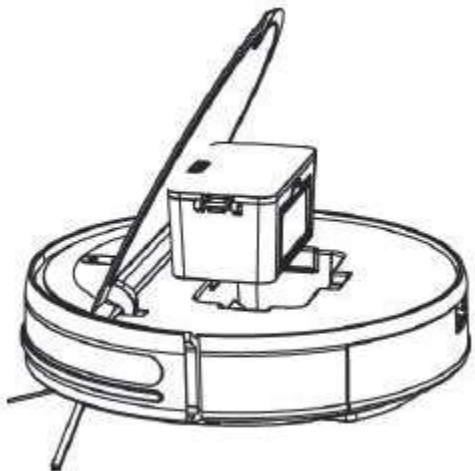


D. Instale el depósito de agua en el robot.



Mantenimiento de los componentes; depósito del polvo

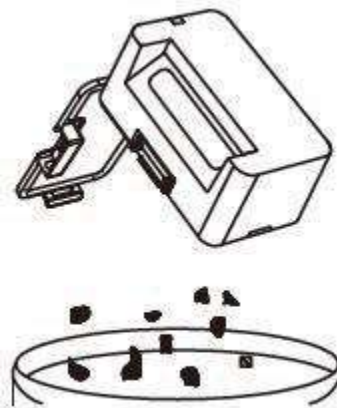
A. Pulse el botón en el depósito de polvo para retirar el mismo.



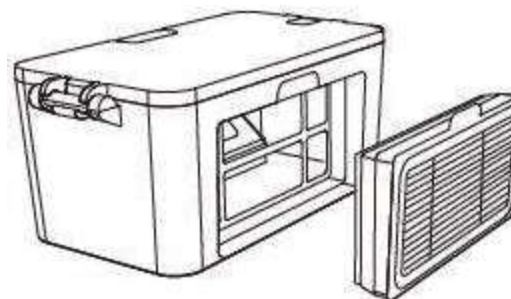
B. Abra la cubierta lateral del depósito de polvo.



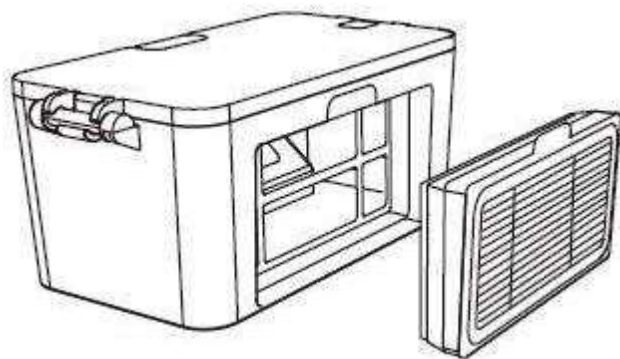
C. Vierta la suciedad.



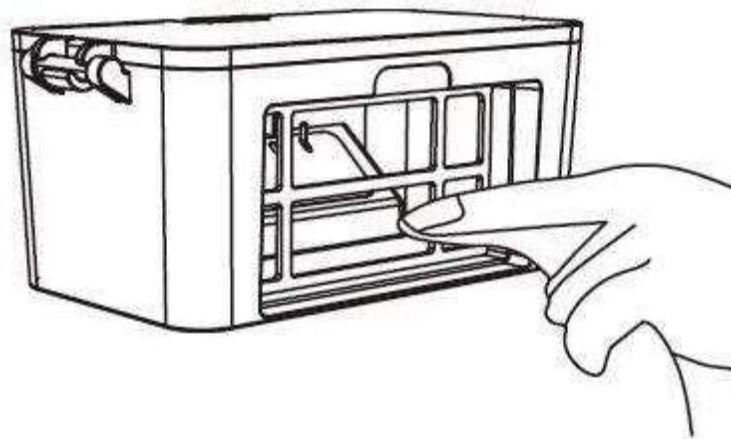
D. Extraiga el filtro HEPA.



E. Toque el filtro HEPA para eliminar el polvo.



G. Limpie el depósito de polvo con un paño.

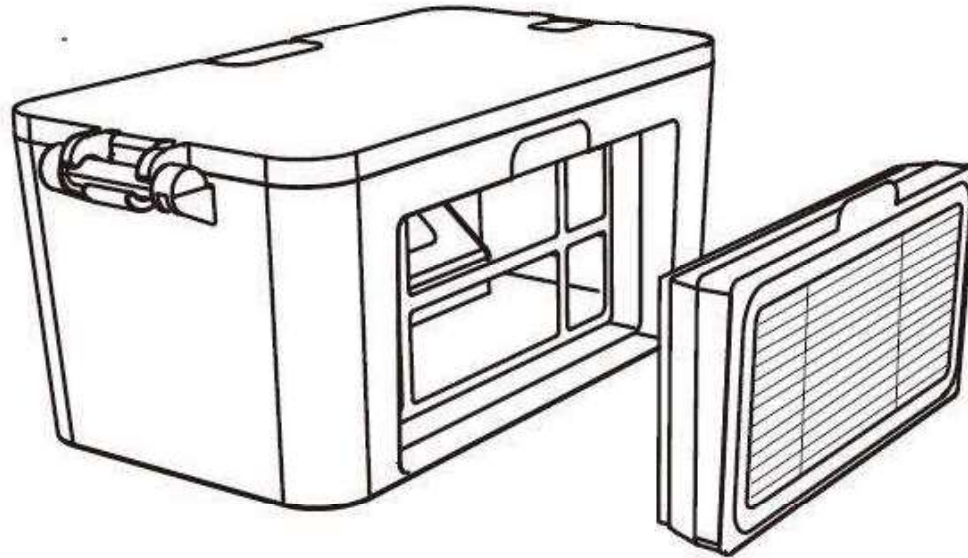
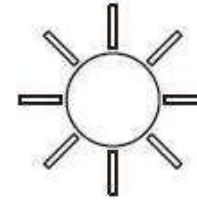


F. Lave el filtro HEPA.



H. Seque el depósito de polvo y los componentes del filtro para garantizar su vida útil.

Nota: Se recomienda que lave el filtro HEPA cada 15 o 30 días. La vida útil máxima del filtro HEPA es de tres meses.



I. Vuelva a colocar el filtro HEPA en el depósito del polvo.

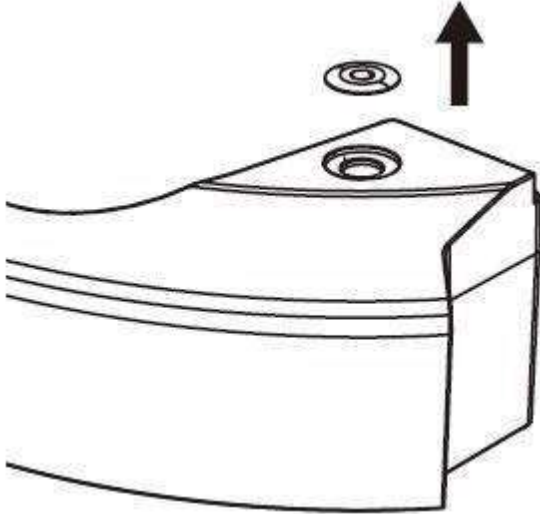
Nota: 1. Antes de instalar el filtro HEPA, asegúrese de que el filtro HEPA está seco.

2. No exponga el filtro HEPA a la luz del sol.

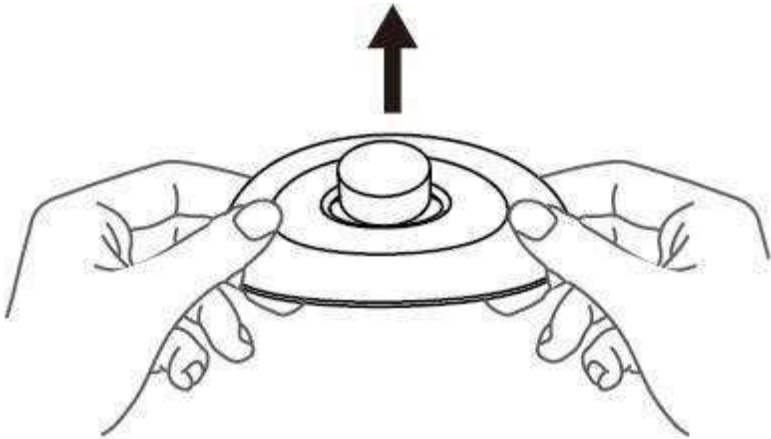
J. Cierre la tapa de depósito del polvo e instale el mismo en la unidad principal.

Mantenimiento de componentes: filtro de algodón

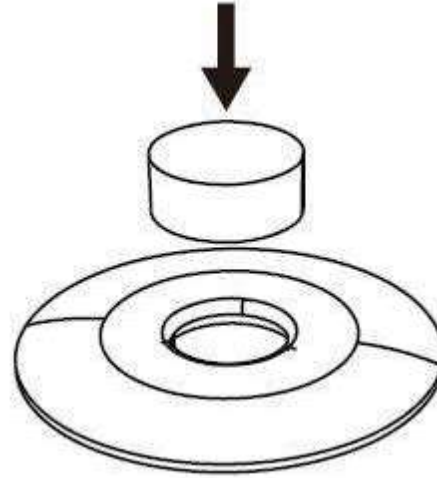
A. Extraiga el tapón de goma de la salida;



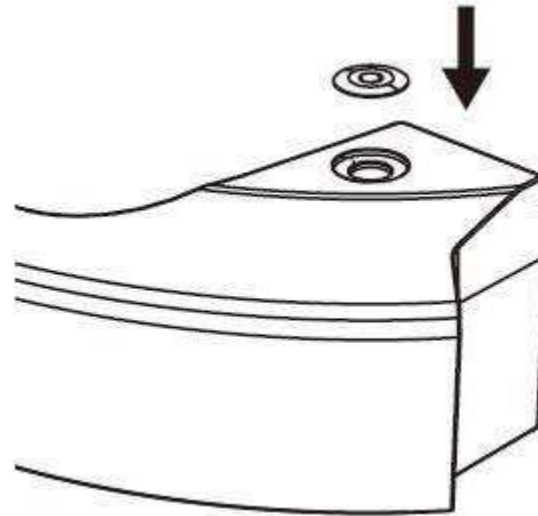
B. Extraiga el filtro de algodón del tapón de goma de la salida;



C. Sustitúyalo por un nuevo filtro de algodón;



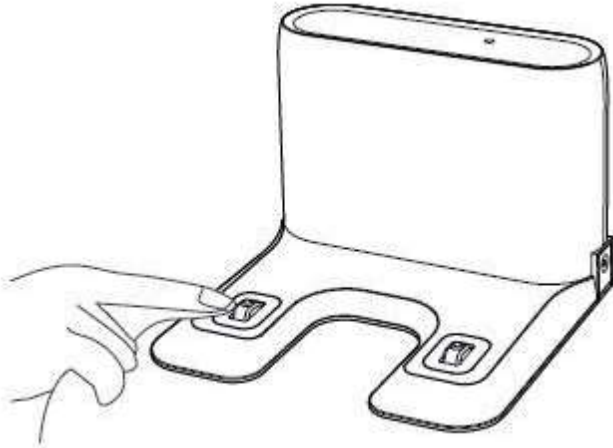
D. Instale el tapón de goma de la salida.



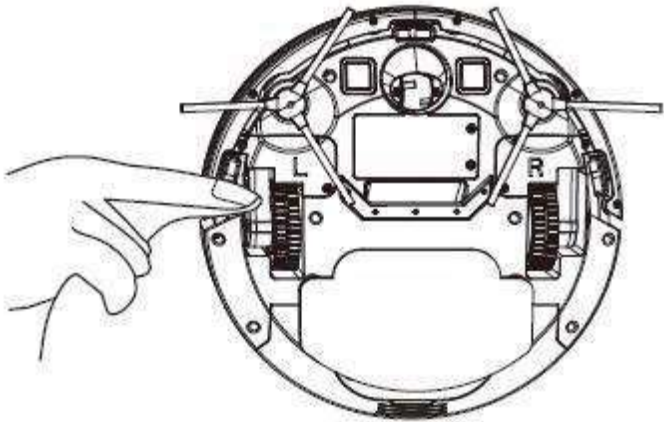
Mantenimiento de componentes: electrodo de carga, sensor visual inferior, rueda motriz y rueda universal

Nota: El electrodo de carga, el sensor visual inferior y el paragolpes contienen componentes electrónicos sensibles. Use un paño seco para limpiar los componentes. No use un paño húmedo por is el agua entra en los componentes y provoca daños.

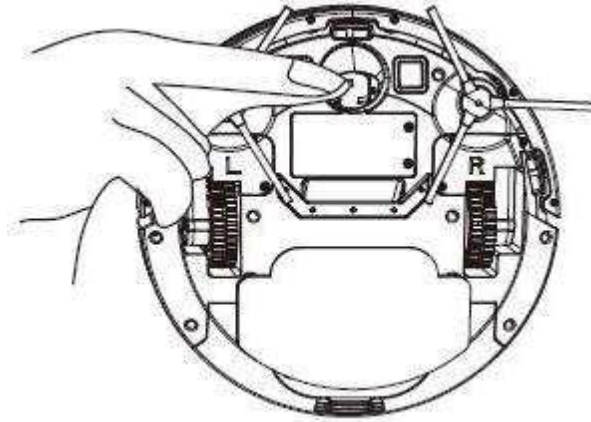
Limpeza del electrodo de carga



Limpeza del sensor visual inferior



Limpeza de la rueda motriz y la rueda universal



- * Si no va a usar el producto durante un periodo prolongado de tiempo, cargue completamente le producto y después apague el producto antes de guardarlo. Cargue el producto cada tres meses para evitar la sobredescarga de la batería.
- * Si la batería está sobredescargada o no va a usarse durante un periodo prolongado de tiempo, es posible que el producto no pueda recargarse. Póngase en contacto con el personal del servicio posventa de la empresa para su mantenimiento. No desmonte el producto.

Indicación de las luces

El robot dispone de dos luces indicadoras, la superior es la indicación de la alimentación y la inferior es para la indicación de carga. La luz dispone de tres colores: rojo, verde y amarillo. El estado de la luz incluye: luces apagadas, luces encendidas constantes, parpadeo rápido y parpadeo lento.

Elemento	Estado del aparato	Estado de la luz			
		Alimentación		Recarga	
		Color	Estado	Color	Estado
1	Encendido	Verde	Encendidas constantes		Apagado
2	Apagado		Apagado		Apagado
3	Limpieza	Verde	Apagado		Apagado
4	Recarga	Verde	Encendidas constantes	Amarillo	Encendidas constantes
5	Recarga de batería baja	Verde	Encendidas constantes	Rojo	Encendidas constantes
6	Durante la carga	Verde	Encendidas constantes	Verde	Parpadeo lento
7	Carga terminada	Verde	Encendidas constantes	Verde	Encendidas constantes
8	WI-FI AP	Verde	Parpadeo rápido	Verde	Parpadeo rápido
9	WIFI conectada	Verde	Encendidas constantes		Apagado
10	Advertencia	Rojo	Parpadeo rápido		Apagado
11	Modo en espera	Verde	Encendidas constantes		Apagado
12	Modo retardo		Apagado		Apagado
13	Batería baja	Rojo	Parpadeo rápido		Apagado
14	No calibrado	Rojo	Parpadeo rápido	Rojo	Parpadeo rápido
15	Calibrado	Verde	Encendidas constantes		Apagado

Especificaciones del producto

Categoría	Elemento	Especificaciones
Estructura	Diámetro	300 mm
	Altura	74 mm
Batería	Peso neto	2,5 kg
	Capacidad de la batería	14,4 V
	Batería	Batería de litio recargable de 2500 mAh
Funcionamiento	Capacidad del depósito de polvo	200 ml
	Tipos de carga	Carga automática y carga manual
	Modos de limpieza	Limpieza automática, limpieza y puntos y limpieza de bordes
	Tiempo de carga	Aproximadamente 300 minutos
	Tiempo de limpieza	Aproximadamente 100 minutos
Unidad principal	Potencia nominal (W)	28
	Tensión de funcionamiento (V)	14,4

* Debido a la mejora continua del producto, las especificaciones del producto están sujetas al producto actual. Nuestra empresa se reserva el derecho de actualizar el producto.

Aviso - Todos los productos pueden estar sujetos a cambios técnicos sin previo aviso. Además, nos reservamos el derecho de corregir errores y omisiones en el manual.

TODOS LOS DERECHOS RESERVADOS, COPYRIGHT DENVER A/S



denver.eu



Los equipos eléctricos y electrónicos, y las pilas o baterías incluidas, contienen materiales, componentes y sustancias que pueden ser perjudiciales para su salud y para el medio ambiente si el material de desecho (equipos eléctricos y electrónicos y baterías) no se manipula correctamente.

El equipo eléctrico y electrónico y las pilas aparecen marcadas con un símbolo de un cubo de basura tachado, véase arriba. Este símbolo indica que los equipos eléctricos y electrónicos y sus pilas o baterías no deben ser eliminados con el resto de residuos domésticos, sino que deben eliminarse por separado.

Como usuario final, es importante que usted remita las pilas o baterías usadas al centro adecuado de recogida. De esta manera se asegurará de que las pilas y baterías se reciclan según la legislación y no dañarán el medio ambiente.

Todas las ciudades tienen establecidos puntos de recogida en los que puede depositar los equipos eléctricos y electrónicos y sus pilas o baterías gratuitamente, o solicitar que los recojan en su hogar. Puede obtener información adicional en el departamento técnico de su ciudad.

Por la presente, Denver A/S declara que el tipo de equipo radioeléctrico tipo RVC-110 es conforme con la Directiva 2014/53/EU. El texto completo de la declaración de conformidad de la UE está disponible en la siguiente dirección de Internet: denver.eu y posteriormente busque el ICONO situado en la línea superior de la página. Escriba el número de modelo: RVC-110. Ahora entre en la página del producto y la directiva RED se encuentra bajo descargas/otras descargas.
Rango de funcionamiento del alcance de frecuencia: 2400MHz-2483.5MHz
Potencia de salida máxima: 19dBm

DENVER A/S

Omega 5A, Soeften

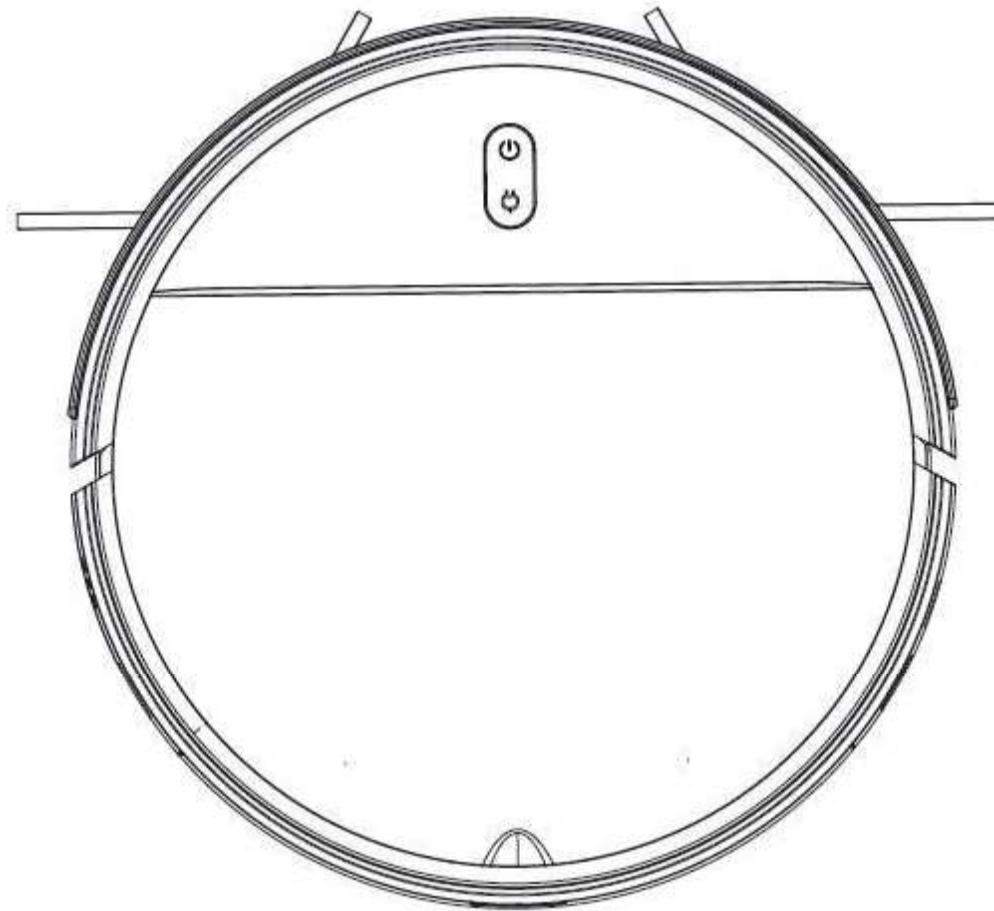
DK-8382 Hinnerup

Dinamarca

www.facebook.com/denver.eu

Manuale istruzioni per robot aspirapolvere

Modello: RVC-110



www.denver.eu

facebook.com/Denver.eu

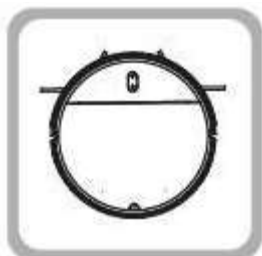
Norme di sicurezza

Leggere attentamente le istruzioni di sicurezza prima di utilizzare il prodotto per la prima volta. Conservare le istruzioni per riferimento futuro.

1. Tenere il prodotto fuori dalla portata dei bambini e degli animali domestici per evitare che venga masticato o ingerito.
2. Avvertenza: il prodotto contiene una batteria agli ioni di litio
3. Non aprire mai il prodotto. Il prodotto può essere smontato solamente da personale qualificato. Si sconsiglia agli utenti di eseguire interventi di manutenzione o riparazione
4. Effettuare la ricarica solamente con il caricabatterie fornito in dotazione. Evitare l'uso di accessori non originali insieme al prodotto in quanto essi potrebbero compromettere il suo corretto funzionamento
5. Evitare di toccare le prese dei fili o le parti del corpo quando il prodotto è in fase di pulizia
6. Evitare di sedersi sul prodotto
7. Prima di utilizzare questo prodotto, rimuovere tutti gli oggetti ingombranti come lampade, oggetti in vetro, tende e altri ostacoli che possono impigliare le spazzole o il passaggio dell'aria di aspirazione.
8. Evitare di piegare i fili o di appoggiare oggetti pesanti sull'apparecchio
9. Il prodotto è stato concepito per l'uso domestico. Il prodotto è destinato esclusivamente all'uso in ambienti interni e asciutti. Evitare di utilizzarlo all'aperto.
10. Evitare di utilizzare il prodotto in ambienti umidi come i bagni
11. Per prevenire incidenti, informare gli altri membri della famiglia quando i prodotti vengono puliti
12. Svuotare il contenitore della polvere prima dell'uso. Quando il contenitore della polvere è pieno l'efficienza della pulizia e la capacità di aspirazione si riducono
13. La temperatura di esercizio e di conservazione del prodotto è compresa tra 0 e 40 °C. Ambienti con temperature inferiori o superiori potrebbero comprometterne il funzionamento
14. Utilizzare esclusivamente la batteria ricaricabile originale e la base di ricarica fornita dal fornitore. Le batterie non ricaricabili sono severamente vietate, fare riferimento ai "parametri del prodotto" per le specifiche relative alle batterie.
15. Evitare di utilizzare il prodotto in ambienti con fiamme libere o prodotti fragili
16. È vietato utilizzare i prodotti a temperature estremamente calde (sopra i 40 gradi) o estremamente fredde (sotto i 0 gradi). La garanzia non copre eventuali danni derivanti da tali circostanze.
17. Evitare di toccare i prodotti quando sono accesi e durante la pulizia. Tenere capelli, vestiti, dita e altre parti del corpo lontano dall'apertura dei prodotti
18. Il prodotto non è in grado di aspirare eventuali residui di pietra o di carta, in quanto questi potrebbero intasare il prodotto
19. Il prodotto non è in grado di aspirare articoli in fiamme come sigarette, fiammiferi, cenere e così via, che potrebbero causare incendi
20. Assicurarsi di tenere il prodotto lontano da qualsiasi sostanza infiammabile come toner per stampanti e fotocopie e altri liquidi infiammabili
21. Evitare di collocare gli articoli in corrispondenza dell'apertura di aspirazione. Evitare di utilizzare il prodotto quando la porta di aspirazione è bloccata. Pulire la polvere, lanugine di cotone ecc. in corrispondenza dell'apertura di aspirazione per garantire una regolare circolazione dell'aria
22. Usare il cavo di alimentazione con attenzione per evitare danni. Evitare di tirare, trascinare o utilizzare il cavo di alimentazione come impugnatura per spostare la base di ricarica.

23. Evitare di posizionare il cavo di alimentazione nelle aperture delle porte o in altri luoghi dove può causare danni. Assicurarsi che ci sia spazio sufficiente intorno al cavo di alimentazione e alla base di ricarica.
24. Evitare l'uso della base di ricarica o del cavo di alimentazioni se danneggiati
25. Avvertenza: il telecomando contiene delle batterie di tipo AAA. Utilizzare esclusivamente batterie di tipo AAA per il telecomando.
26. Non combinare mai batterie vecchie e nuove o tipi diversi di batterie insieme. Rimuovere le batterie se si prevede di non utilizzare il prodotto per un periodo di tempo prolungato. Controllare la polarità (+/-) delle batterie quando vengono inserite nel prodotto. Il posizionamento errato può provocare un'esplosione. Le batterie non sono incluse.
27. L'adattatore della stazione di alimentazione viene usato come dispositivo di scollegamento, il dispositivo di scollegamento deve rimanere facilmente azionabile. Quindi verificare che intorno alla presa di corrente vi sia uno spazio sufficiente per consentire un accesso agevole.

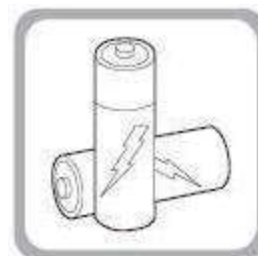
Composizione del prodotto – Contenuto della confezione



1 robot aspirapolvere



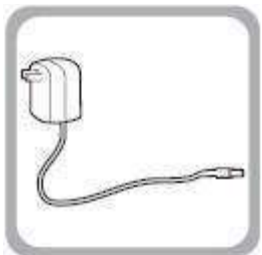
1 stazione di ricarica



2 batterie



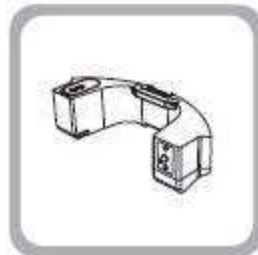
1 telecomando



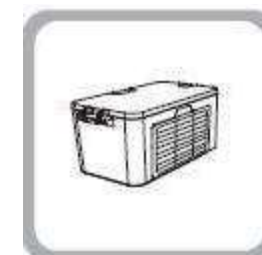
1 adattatore



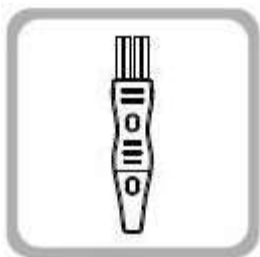
1 gruppo supporto di lavaggio



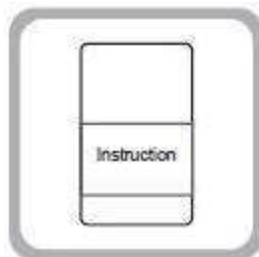
1 serbatoio dell'acqua



1 contenitore per la polvere



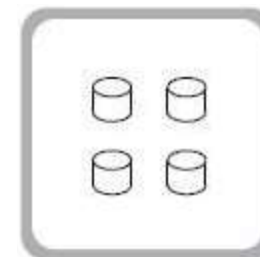
1 spazzola per la pulizia



1 manuale istruzioni



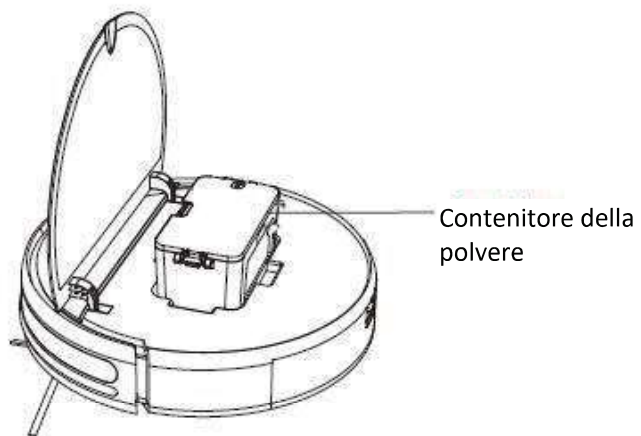
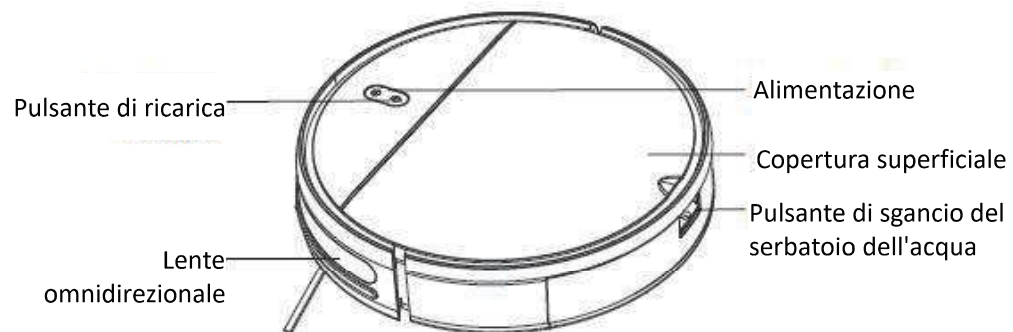
2 spazzole laterali



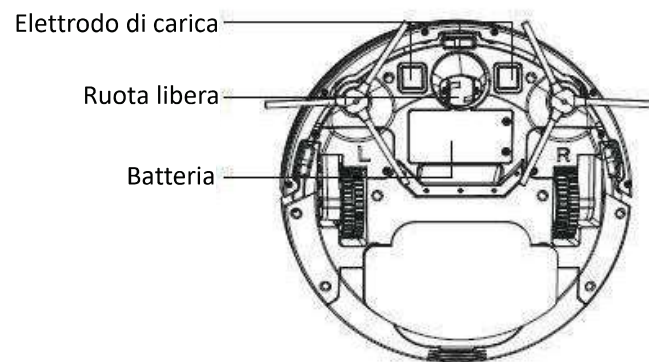
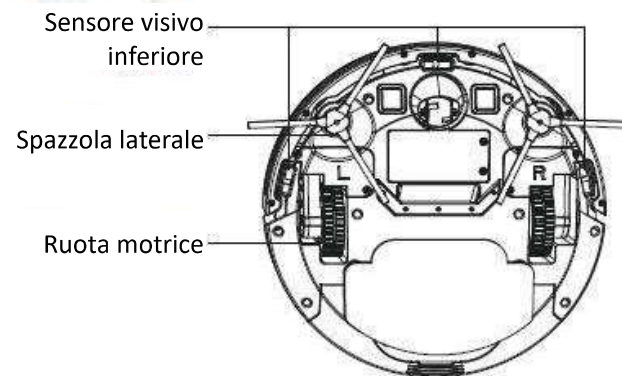
4 filtri in cotone

Composizione del prodotto – Descrizione delle parti

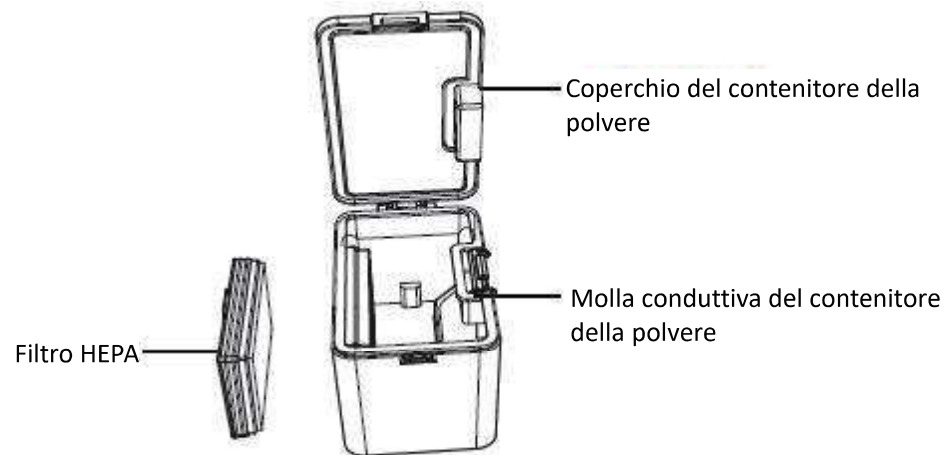
Parte anteriore unità principale



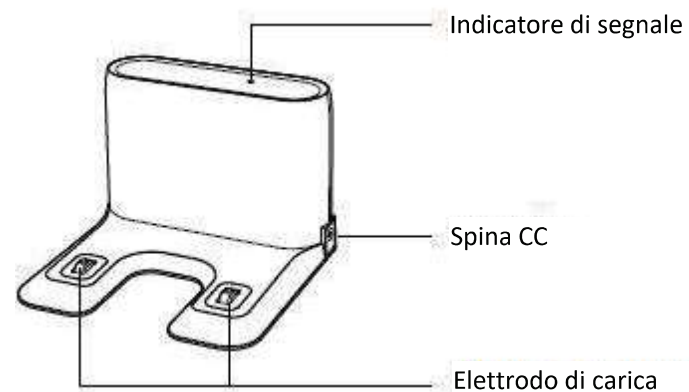
Parte posteriore unità principale



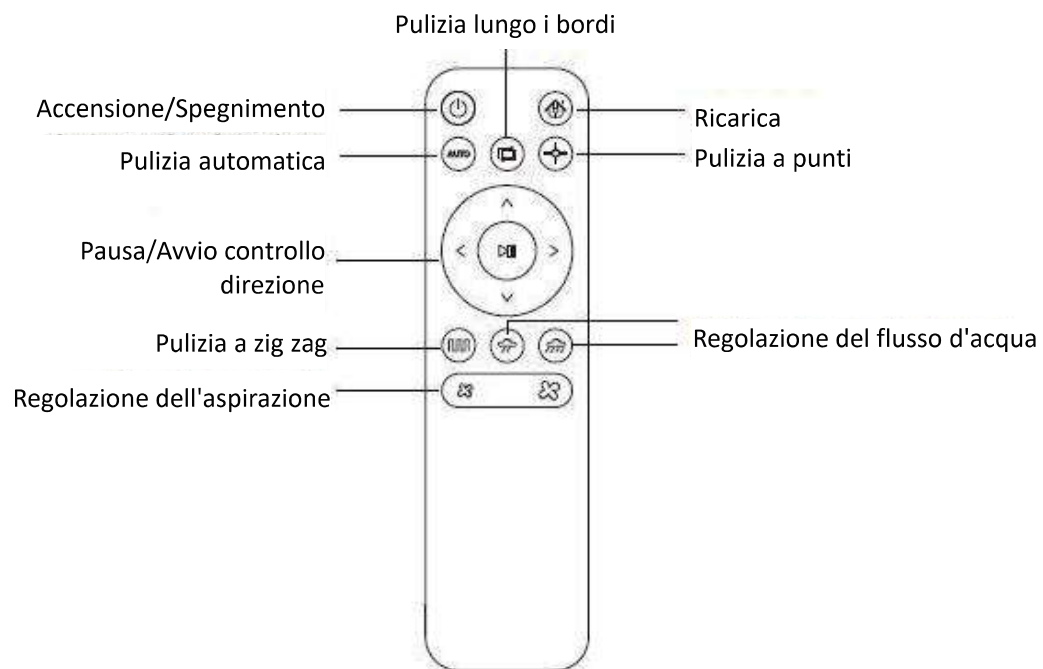
Contenitore della polvere



Stazione di ricarica



Telecomando

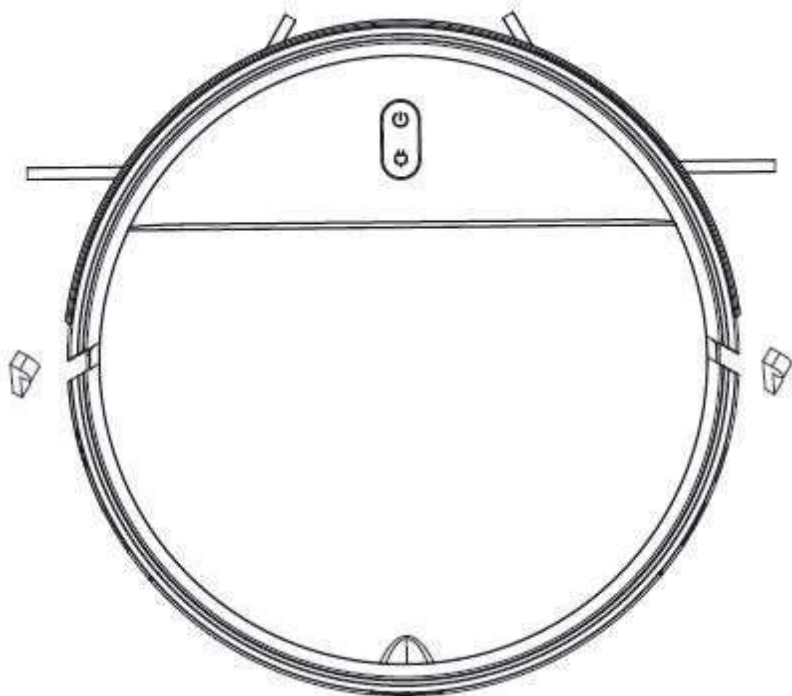


Preparazione

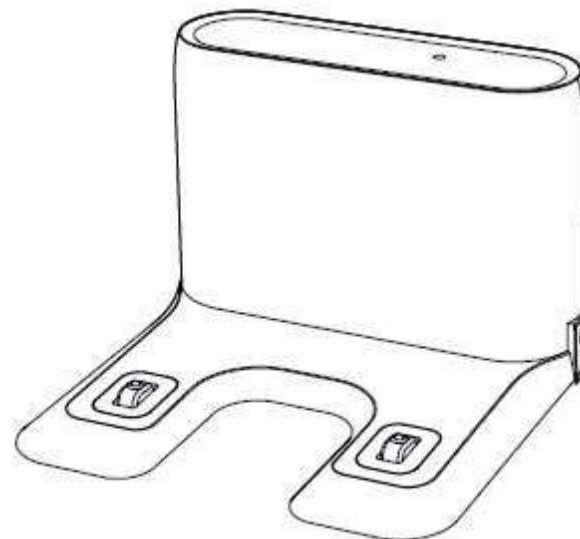
Rimozione delle strisce protettive

Prima di utilizzare il robot, rimuovere le strisce protettive.

Rimozione delle strisce protettive

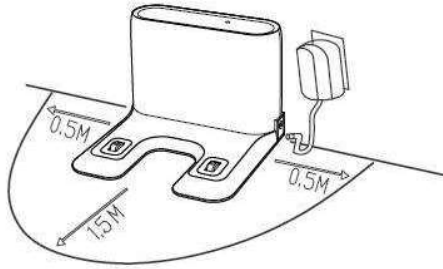


Rimuovere la pellicola protettiva

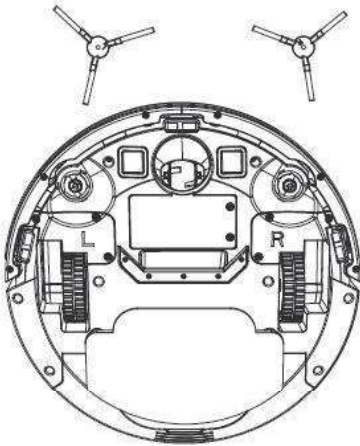


Utilizzo del prodotto – Carica del robot aspirapolvere

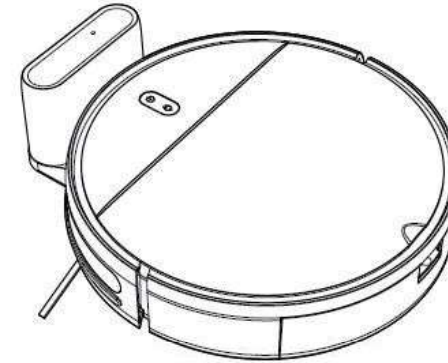
1. Posizionare la base di ricarica su in piano contro una parete. Non posizionare alcun oggetto entro 0,5 m a sinistra e a destra della base di ricarica o entro 1,5 m davanti alla base di ricarica.




2. Collegare la base di ricarica all'alimentazione.
3. Installare le spazzole laterali sinistra e destra.



4. Ricarica: Posizionare l'unità principale sulla base di ricarica per la carica. Durante la carica, l'indicatore lampeggia. Quando la carica è completa, l'indicatore rimane acceso. Occorrono circa cinque ore per caricare completamente l'unità principale.



Durante la pulizia, l'unità principale controlla automaticamente il proprio livello di carica. Se la carica è insufficiente, l'unità principale attiva la modalità di ritorno alla base di ricarica e rientra automaticamente alla base di ricarica per la ricarica.

In alternativa, premere il pulsante  sul telecomando per attivare la modalità di ritorno alla base di ricarica dell'unità principale.

Avvertenza:

1. Non utilizzare la base di ricarica in contesti riflettenti come ad esempio gli ambienti esposti alla luce solare diretta o in prossimità di specchi. Se sono presenti oggetti riflettenti, coprire la base di ricarica a un'altezza di 7 cm dal basso.
2. Per garantire la normale autonomia dell'unità principale, caricare completamente l'unità principale prima dell'uso. Il tempo di ricarica è di circa cinque ore.
3. Per garantire la sicurezza della ricarica ed evitare che il panno umido danneggi il pavimento, rimuovere il serbatoio dell'acqua prima di caricare l'unità principale.

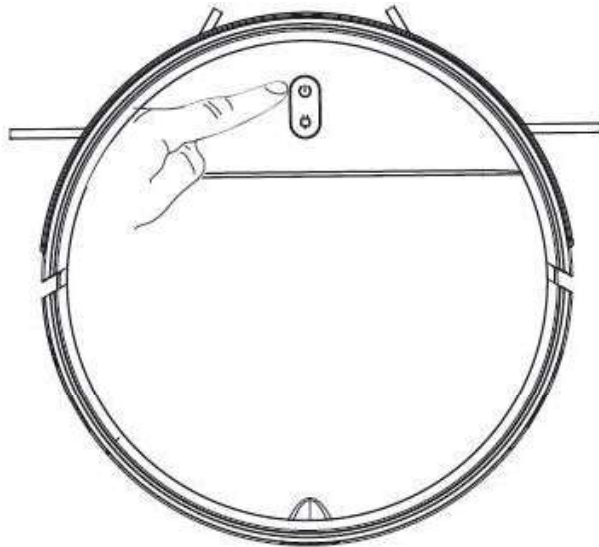
Utilizzo del prodotto - Avvio della pulizia

Per soddisfare vari requisiti di pulizia, questo prodotto permette di scegliere tra più modalità operative. È possibile utilizzare le diverse modalità di pulizia tramite l'unità principale o il telecomando.

Il robot aspirapolvere non è costruito per forzare e superare soglie e gradini.

Pulizia automatica

Impostazione del metodo: Nello stato di spegnimento, tenere premuto il pulsante di accensione. Dopo che l'indicatore dell'unità principale si è acceso, segnalando che l'unità principale è attiva, premere nuovamente il pulsante di accensione per abilitare la pulizia automatica.



Pulizia a punti

Scenario d'uso: La modalità di pulizia è utilizzabile per pulire dei punti in cui sono concentrati dei rifiuti. L'unità principale pulisce il pavimento seguendo un percorso a spirale nell'area specificata, tornando poi al punto originale dopo la pulizia.

Impostazione del metodo: Premere il tasto  sul telecomando per abilitare la pulizia a punto.


Pulizia lungo i bordi

Scenario d'uso: La modalità di pulizia è utilizzabile per gli angoli interni. L'unità principale pulisce il pavimento seguendo i bordi di oggetti fissi (ad esempio una parete) tornando poi alla base di ricarica dopo la pulizia.


Impostazione del metodo: Premere il tasto  sul telecomando per attivare la pulizia lungo i bordi.

Controllo manuale

Scenario d'uso: Permette di controllare il percorso e l'area di pulizia utilizzando i pulsanti direzionali sul telecomando.

Impostazione del metodo: Premere il tasto  sul telecomando per controllare l'avanzamento, l'arretramento o il cambio di direzione del prodotto.

Utilizzo del prodotto - Pausa, riattivazione e spegnimento

Pausa: Quando l'unità principale è in funzione, premere il pulsante di accensione sull'unità principale o premere il tasto di pausa  sul telecomando per sospendere l'attività dell'unità principale.

Riattivazione: Se l'unità principale è in pausa da più di 10 minuti, viene attivata la modalità di sospensione (l'indicatore dell'unità principale è spento). Premere il pulsante di accensione sull'unità principale o premere il tasto di accensione sul telecomando per riavviare l'unità principale.

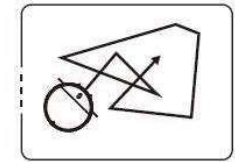
Spegnimento: Dopo aver messo in pausa l'unità principale, tenere premuto il pulsante di accensione sull'unità principale. Se l'indicatore sull'unità principale è spento, il prodotto è disalimentato.

* Dopo che l'unità principale ha completato il proprio ciclo, si consiglia di non spegnere l'unità principale. Mantenere l'unità principale nello stato di carica in modo che possa affrontare meglio il ciclo successivo.

Modalità di pulizia

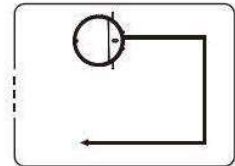
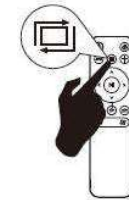
1. Pulizia automatica

Il robot esegue una pulizia casuale per 90 minuti e, al termine della pulizia, torna automaticamente alla base di ricarica per la ricarica.



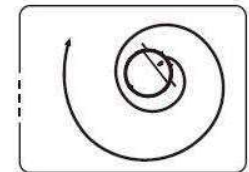
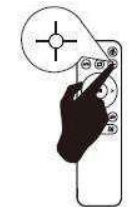
2. Pulizia lungo i bordi

Il robot esegue la pulizia lungo i bordi con una distanza inferiore a 2 cm dal muro.



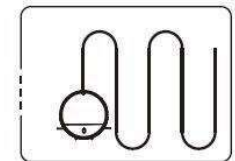
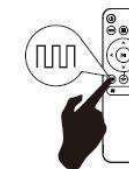
3. Pulizia a punti

Il robot inizia a pulire seguendo un movimento a spirale verso l'esterno, quindi si sposta con un movimento a spirale verso l'interno dopo aver raggiunto il raggio massimo di 0,6 metri. Il robot termina la pulizia dopo essere tornato al punto di partenza.



4. Pulizia a zig zag

In modalità di pulizia a zig-zag, la distanza di pulizia più lunga è di 5 metri in linea retta.



Utilizzo del prodotto – Connessione Wi-Fi

1. Download APP/Registrazione

Scansionare il codice QR qui o cercare "Tuya Smart" dall'APP store e scaricare l'app. Seguire le istruzioni per l'uso dell'APP per registrare un account.

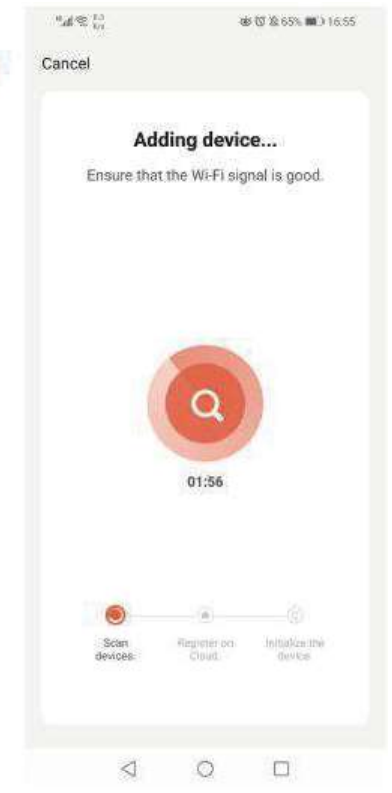
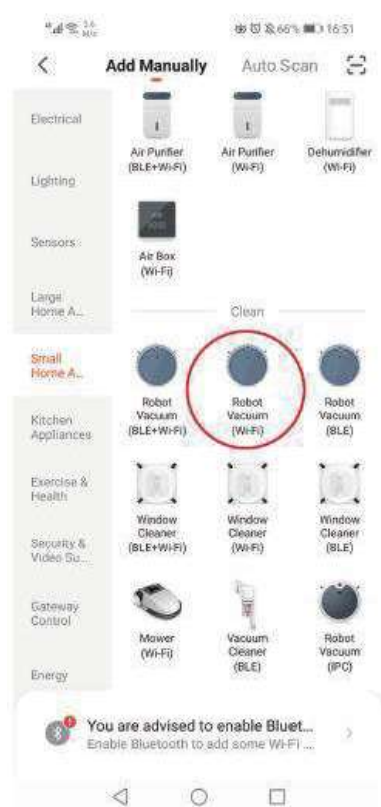
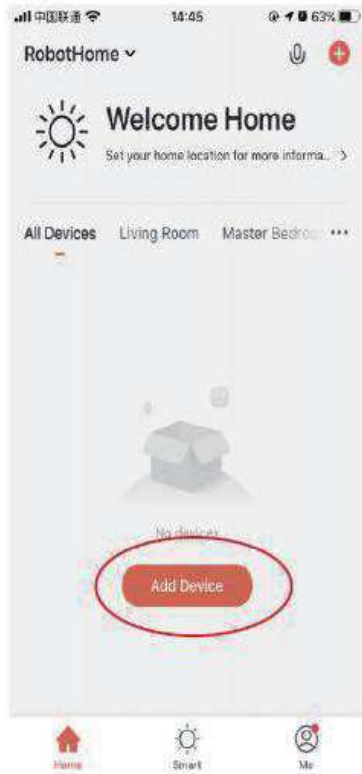


2. Connessione Wi-Fi

Sono disponibili due modalità di connessione Wi-Fi: **Modalità EZ** e **modalità AP**.

(1) Modalità EZ:

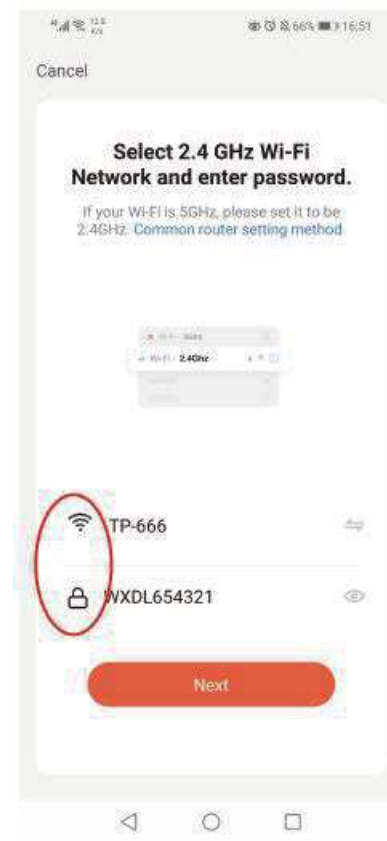
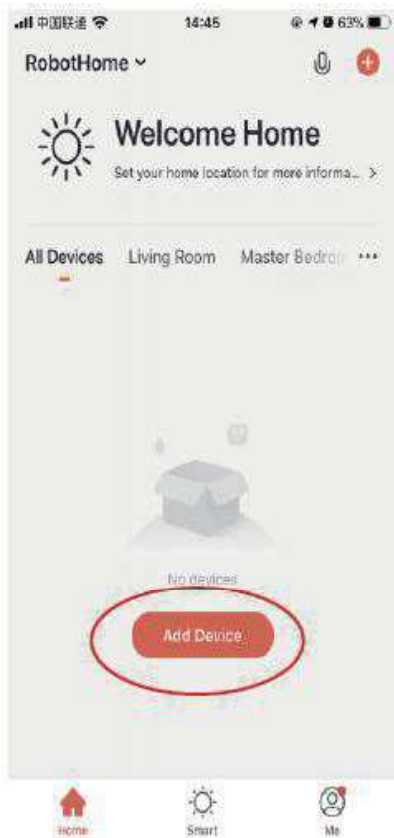
1. Accendere il robot, tenere premuto il pulsante di ricarica per 3 secondi per accedere alla modalità EZ: verrà prodotto un segnale acustico. La spia di alimentazione diventa gialla e lampeggia.



2. Accedere all'APP Tuya e cliccare su "Aggiungi dispositivo".
3. Selezionare "Piccolo elettrodomestico", quindi selezionare "Robot Aspirapolvere Wi-Fi".
4. Selezionare la rete Wi-Fi a 2,4 GHz e inserire il nome e la password Wi-Fi, quindi cliccare su "Avanti".
5. Selezionare la modalità EZ, cliccare su "Conferma che l'indicatore lampeggia rapidamente" e "Avanti" per attendere il risultato della connessione.

(2) Modalità AP:

1. Accendere il robot, tenere premuto il pulsante di ricarica per 6 secondi per accedere alla modalità AP: verranno prodotti due segnali acustici. La spia di alimentazione diventa gialla e lampeggia.



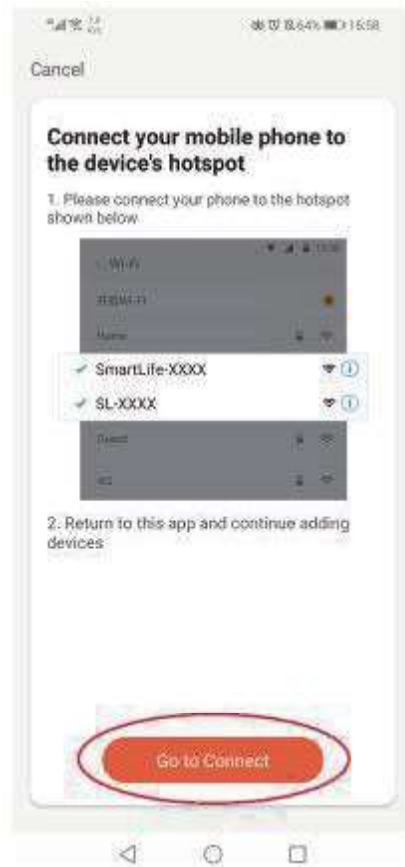
2. Accedere all'APP Tuya e cliccare su "Aggiungi dispositivo".

3. Selezionare "Piccolo elettrodomestico", quindi selezionare "Robot Aspirapolvere Wi-Fi".

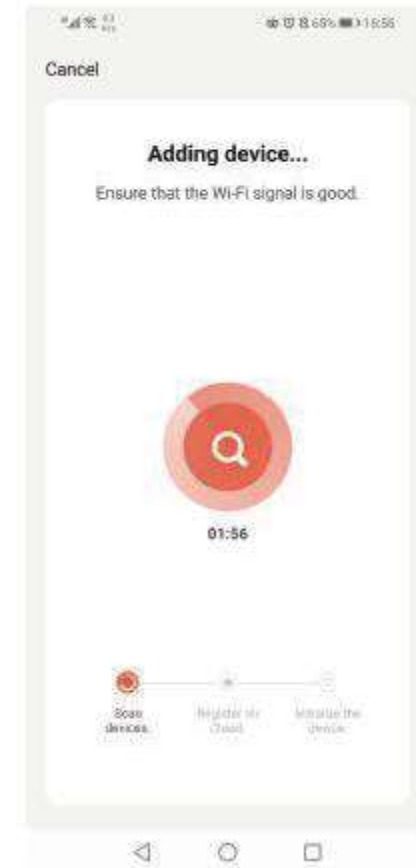
4. Selezionare la rete Wi-Fi a 2,4 GHz e inserire il nome e la password Wi-Fi, quindi cliccare su "Avanti".



5. Selezionare la modalità AP e cliccare su "Conferma che l'indicatore lampeggia lentamente" e poi "Avanti".



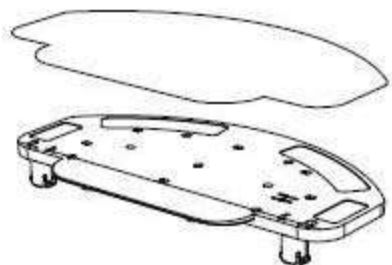
6. Connettersi con l'hotspot Wi-Fi che inizia con "SmartLife XXX".



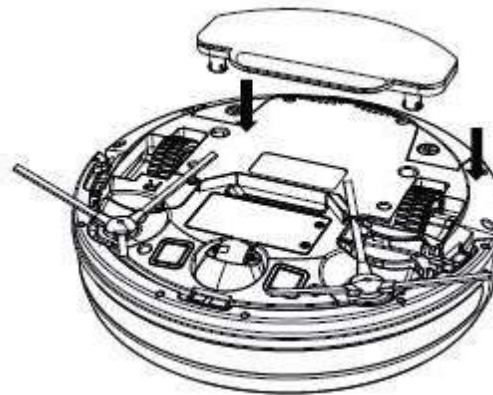
7. Dopo la connessione all'hotspot Wi-Fi, tornare all'interfaccia dell'APP Tuya e attendere il risultato della connessione del robot.

Utilizzo del prodotto: installazione del supporto di lavaggio

A. Installare il panno di lavaggio sul supporto di lavaggio;



B. Installare il supporto di lavaggio sul robot;

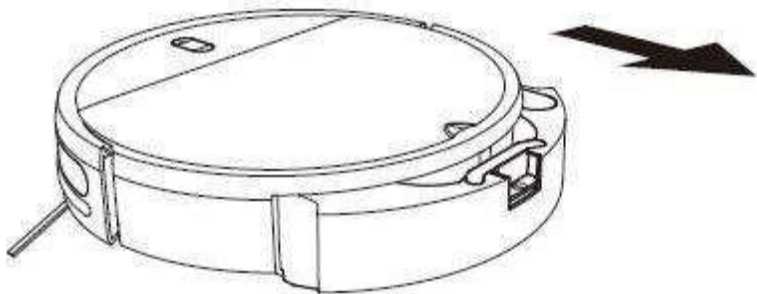


Utilizzo del prodotto - Serbatoio dell'acqua

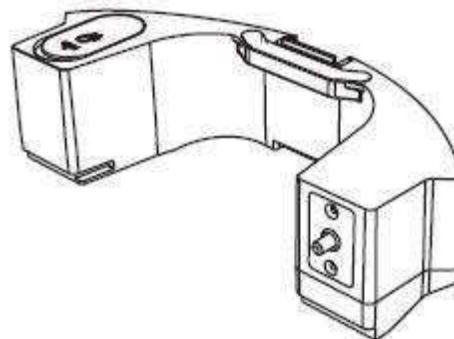
* Non utilizzare la funzione di lavaggio sui tappeti.

* Al termine del lavaggio, pulire il serbatoio dell'acqua e togliere tempestivamente il panno.

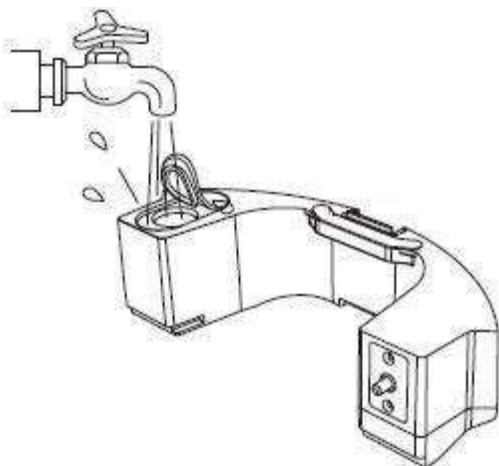
A. Estrarre il serbatoio dell'acqua;



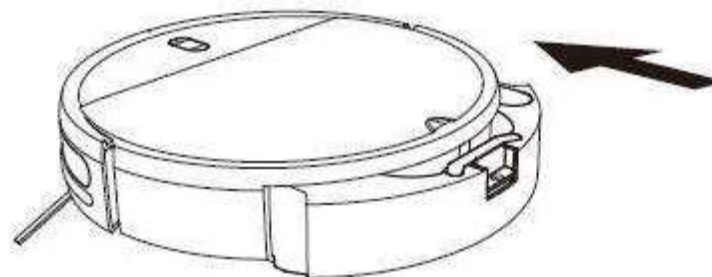
C. Appiattare il tappo di gomma;



B. Aprire il tappo di gel di silice e aggiungere acqua;

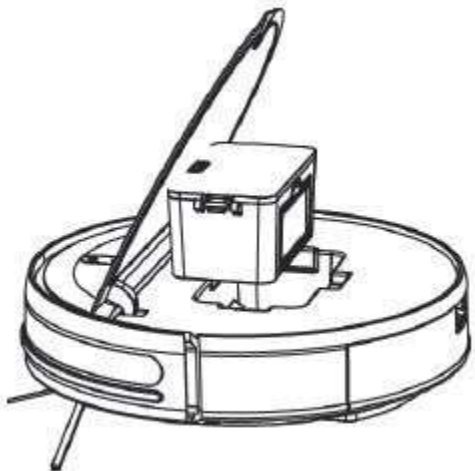


D. Installare il serbatoio dell'acqua sul robot.



Manutenzione delle parti – Contenitore della polvere

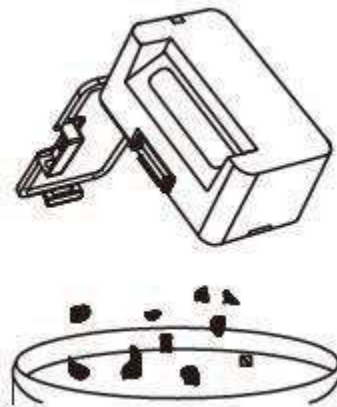
A. Premere il pulsante sul contenitore della polvere per rimuovere il contenitore della polvere.



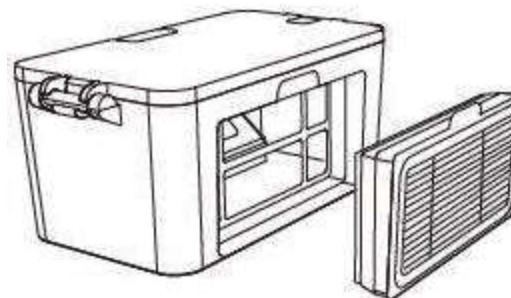
B. Aprire il coperchio laterale del contenitore della polvere.



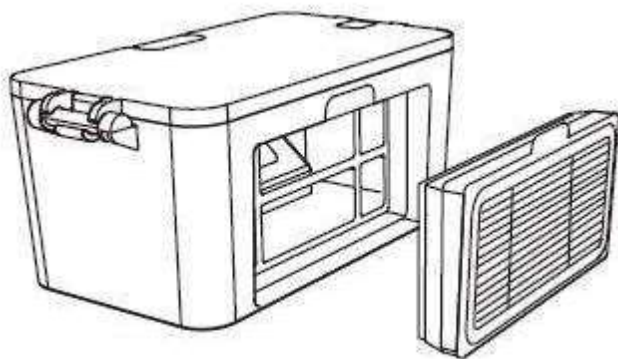
C. Scaricare i rifiuti.



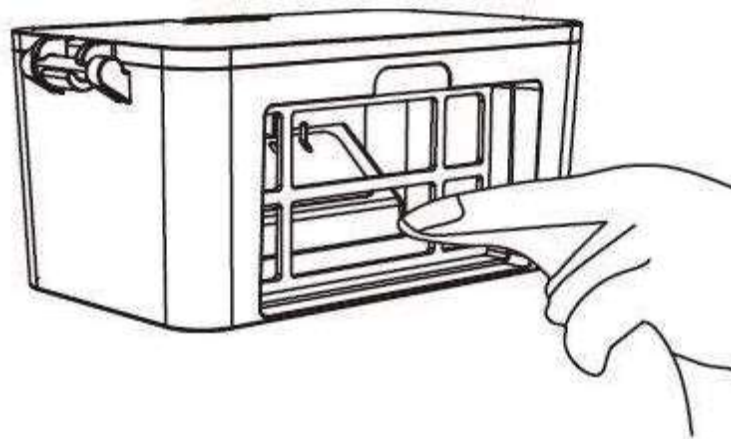
D. Estrarre il filtro HEPA.



E. Picchiettare il filtro HEPA per rimuovere la polvere.



G. Pulire il contenitore della polvere con un panno.

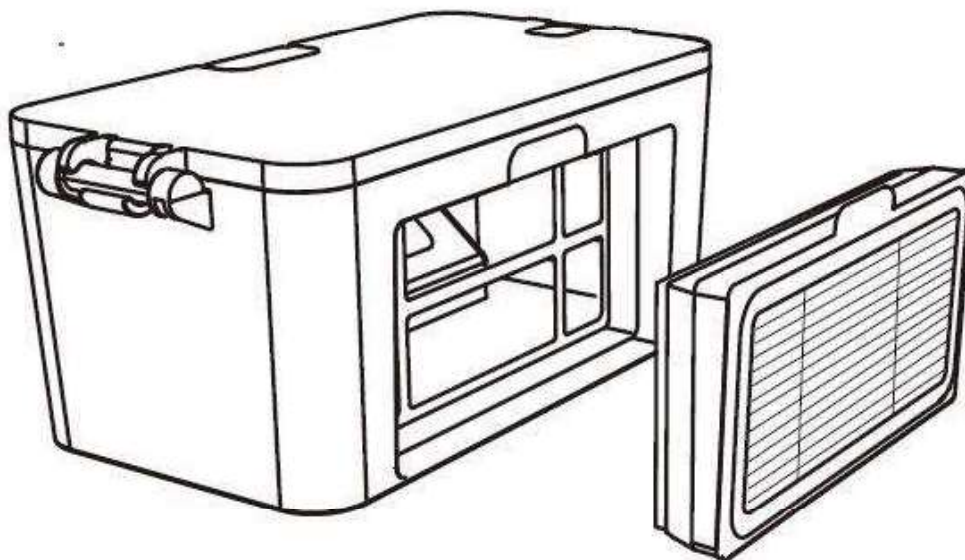
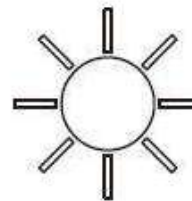


F. Lavare il filtro HEPA.



H. Asciugare il contenitore della polvere e il filtro per garantirne la durata.

Nota: Si consiglia di lavare il filtro HEPA ogni 15-30 giorni. La durata massima del filtro HEPA è di tre mesi.



I. Riposizionare il filtro HEPA nel contenitore della polvere.

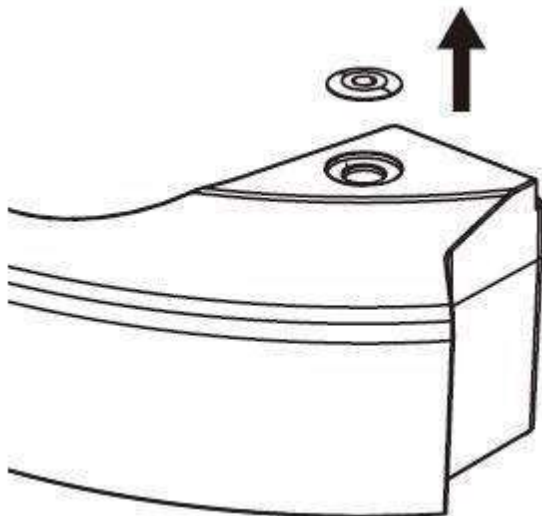
Nota: 1. Prima di installare il filtro HEPA, assicurarsi che sia asciutto.

2. Non esporre il filtro HEPA alla luce solare.

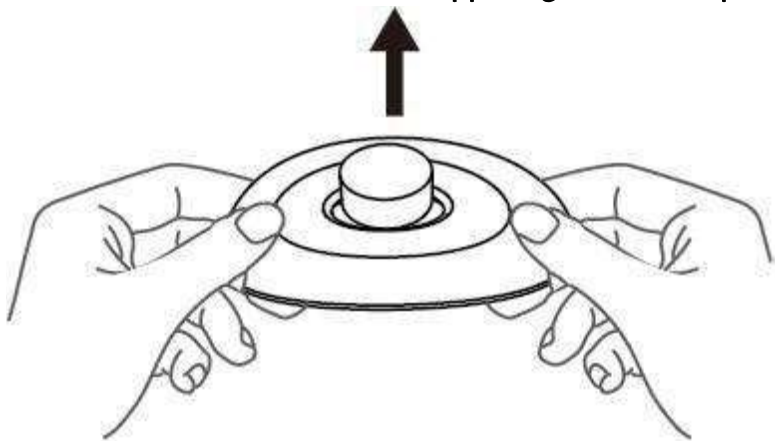
J. Chiudere il coperchio del contenitore della polvere e installare il contenitore della polvere sull'unità principale.

Manutenzione delle parti – Filtro in cotone

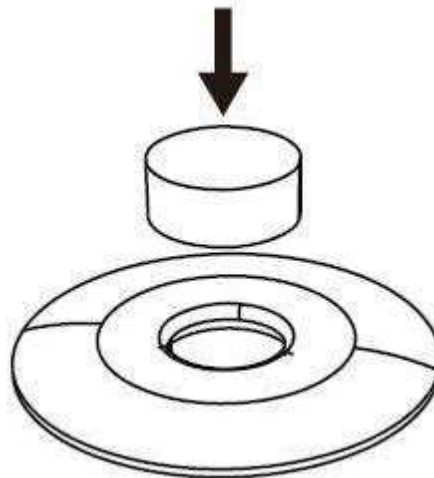
A. Estrarre il tappo di gomma della presa;



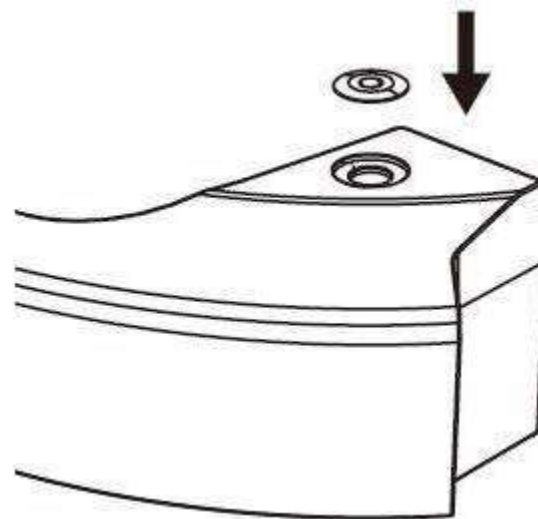
B. Estrarre il filtro in cotone dal tappo in gomma della presa;



C. Sostituire con un nuovo filtro in cotone;



D. Installare il tappo di gomma della presa.

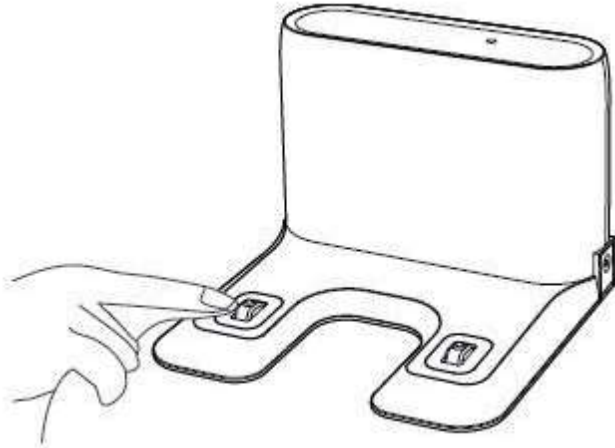


Manutenzione delle parti - Elettrodo di carica, sensore visivo inferiore, ruota motrice e ruota libera

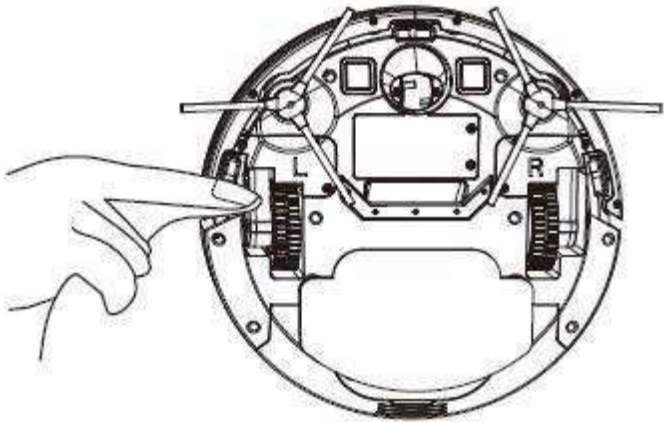
Nota: L'elettrodo di carica, il sensore visivo inferiore e il paraurti contengono componenti elettronici sensibili. Utilizzare un panno asciutto per pulire le parti.

Non utilizzare un panno umido per evitare che l'acqua penetri nelle parti e causi danni.

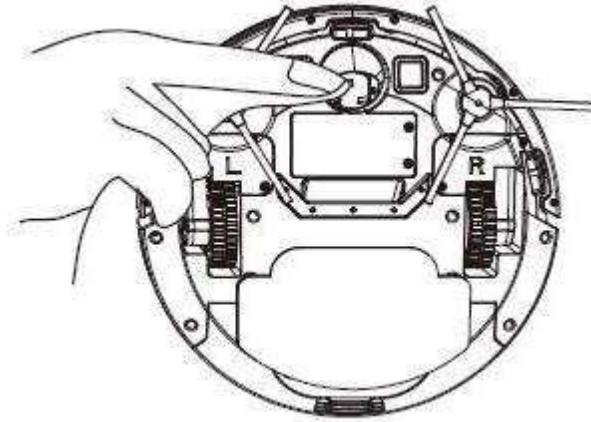
Pulizia dell'elettrodo di carica



Pulizia del sensore visivo inferiore



Pulizia della ruota motrice e della ruota libera



- * Se non si utilizza il prodotto per molto tempo, caricarlo completamente e spegnerlo prima di riporlo. Caricare il prodotto ogni tre mesi per evitare una scarica eccessiva della batteria.
- * Se la batteria è troppo scarica o non viene utilizzata per lungo tempo, il prodotto potrebbe non essere più ricaricabile. Contattare il personale dell'assistenza post-vendita dell'azienda per la manutenzione. Non smontare il prodotto.

Indicazione luminosa

Il robot presenta due spie: quella superiore indica l'alimentazione e quella inferiore indica la carica. La spia prevede tre colori: rosso, verde e giallo. Lo stato della spia prevede: spenta, accesa fissa, lampeggio veloce e lampeggio lento.

Voce	Stato del dispositivo	Stato della spia			
		Alimentazione		Ricarica	
		Colore	Stato	Colore	Stato
1	Acceso	Verde	Fissa		Disattiva
2	Spegnimento in corso		Disattiva		Disattiva
3	Pulizia	Verde	Disattiva		Disattiva
4	Ricarica	Verde	Fissa	Giallo	Fissa
5	Ricarica della batteria scarica	Verde	Fissa	Rosso	Fissa
6	Durante la fase di ricarica	Verde	Fissa	Verde	Intermittenza lenta
7	Carica terminata	Verde	Fissa	Verde	Fissa
8	WI-FI AP	Verde	Lampeggio veloce	Verde	Lampeggio veloce
9	Wi-Fi connesso	Verde	Fissa		Disattiva
10	Avvertenza	Rosso	Lampeggio veloce		Disattiva
11	Modalità standby	Verde	Fissa		Disattiva
12	Modalità di sospensione		Disattiva		Disattiva
13	Batteria scarica	Rosso	Lampeggio veloce		Disattiva
14	Non calibrato	Rosso	Lampeggio veloce	Rosso	Lampeggio veloce
15	Calibrato	Verde	Fissa		Disattiva

Specifiche del prodotto

Categoria	Voce	Specifiche
Struttura	Diametro	300 mm
	Altezza	74 mm
Batteria	Peso netto	2,5 kg
	Capacità batteria	14,4 V
	Batteria	Batteria al litio ricaricabile da 2500 mAh
Prestazione	Capacità del contenitore della polvere	200 ml
	Tipi di ricarica	Ricarica automatica e ricarica manuale
	Modalità di pulizia	Pulizia automatica; pulizia a punti; pulizia lungo i bordi
	Tempo di ricarica	Circa 300 minuti
Unità principale	Tempo di pulizia	Circa 100 minuti
	Potenza nominale (W)	28
	Tensione di esercizio (V)	14,4

* Dato il continuo processo di miglioramento del prodotto, le specifiche sono soggette alla condizione effettiva. La nostra azienda si riserva il diritto di aggiornare il prodotto.

Nota: tutti i prodotti sono soggetti a modifiche senza preavviso. Ci riserviamo il diritto di correggere errori e omissioni nel manuale.

TUTTI I DIRITTI RISERVATI, COPYRIGHT DENVER A/S



denver.eu



Le apparecchiature elettriche ed elettroniche e le batterie incluse contengono materiali, componenti e sostanze che possono essere pericolosi per la salute e per l'ambiente nel caso in cui il materiale di scarto (apparecchiature elettriche ed elettroniche e batterie) non venga gestito correttamente.

Gli apparati elettrici ed elettronici e le batterie sono contrassegnati con il simbolo del cestino barrato mostrato sopra. Questo simbolo indica che le apparecchiature elettriche ed elettroniche e le batterie non devono essere smaltite con gli altri rifiuti domestici, ma separatamente.

È importante inviare le batterie usate alle strutture appropriate e predisposte. In questo modo si ha la garanzia che le batterie verranno riciclate in conformità alla normativa senza danneggiare l'ambiente.

Per le apparecchiature elettriche ed elettroniche e le batterie, tutte le città hanno stabilito dei sistemi di smaltimento che prevedono il conferimento gratuito presso le stazioni di riciclaggio oppure di raccolta porta a porta. Ulteriori informazioni sono disponibili presso l'ufficio tecnico municipale.

Con la presente, Denver A/S dichiara che il tipo di apparecchiatura radio RVC-110 è conforme alla direttiva 2014/53/UE. Il testo completo della dichiarazione di conformità EU è disponibile al seguente indirizzo Internet: denver.eu quindi fare clic sull'icona di ricerca nella parte superiore del sito Web. Scrivere il numero di modello: RVC-110. A questo punto accedere alla pagina del prodotto: la direttiva RED si trova nella sezione download/altri download.

Intervallo di frequenze operative: 2400MHz-2483.5MHz

Potenza massima in uscita: 19dBm

DENVER A/S

Omega 5A, Soeften

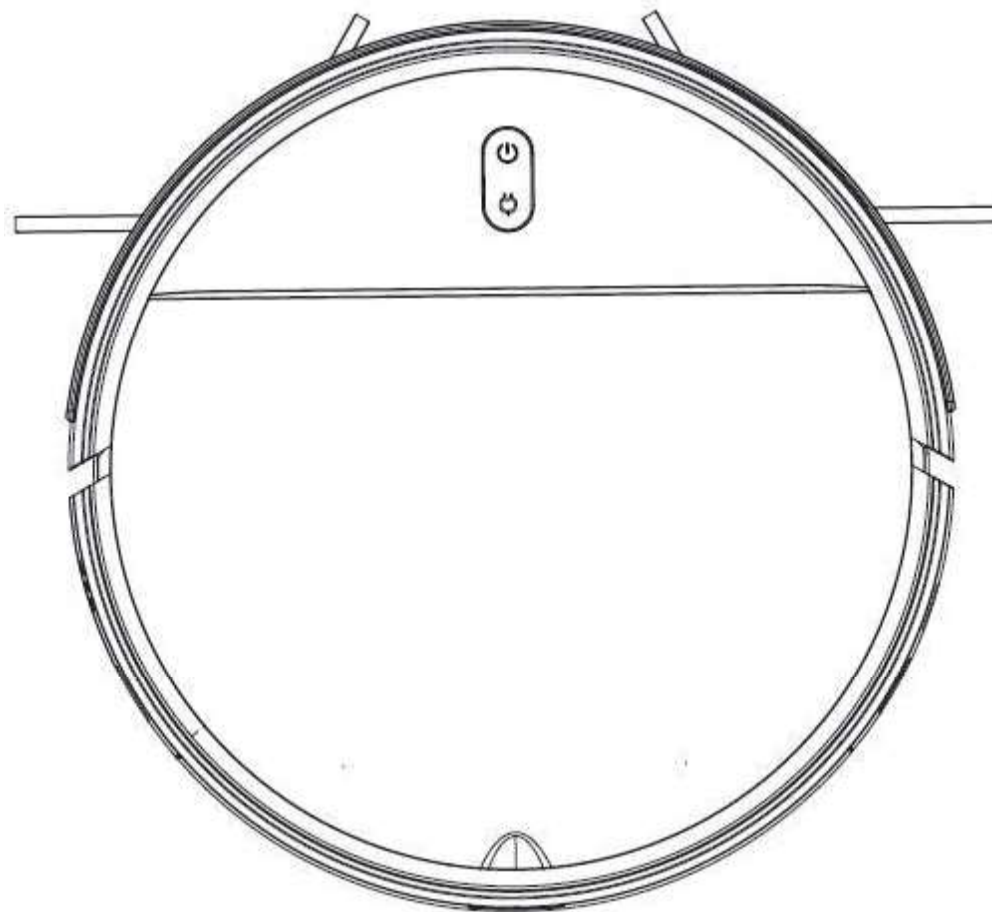
DK-8382 Hinnerup

Danimarca

www.facebook.com/denver.eu

Manual de instruções do Robot aspirador

Modelo: RVC-110



www.denver.eu

facebook.com/Denver.eu

Instruções de segurança

Leia atentamente as instruções de segurança antes de utilizar o produto pela primeira vez e guarde-as para referência futura.

1. Mantenha o produto fora do alcance das crianças e de animais de estimação, para evitar ingestão ou que roam.
2. Aviso: Este produto inclui uma bateria de íões de lítio.
3. Nunca abra o produto. Apenas pessoal qualificado pode desmontar este produto. Não se recomenda aos utilizadores que efetuem serviços ou reparações
4. Carregue apenas com o carregador fornecido. Não utilize acessórios não originais com o produto, pois poderá afetar o funcionamento normal do produto.
5. Não toque nas tomadas dos fios ou partes do corpo quando o produto estiver em modo de limpeza
6. Não se sente no produto
7. Antes de utilizar este produto, remova todos os artigos veneráveis tais como lâmpadas, artigos de vidro, cortinas e outros obstáculos que possam enredar as escovas ou a passagem de aspiração de ar.
8. Não dobre fios nem coloque objetos pesados sobre a máquina
9. Este produto é um produto de uso doméstico. O produto deve ser utilizado num ambiente interior e seco. Não o utilize ao ar livre.
10. Não utilize este produto em ambientes húmidos, tais como a casa de banho
11. Para evitar acidentes, informe as restantes pessoas do agregado familiar quando os produtos estiverem a ser limpos
12. Esvazie a caixa do pó antes de usar. Uma caixa do pó cheia afeta a eficiência de limpeza e diminui a capacidade de sucção
13. A temperatura de funcionamento e de armazenamento é entre 0 graus Celsius e 40 graus Celsius. Os ambientes abaixo e acima deste intervalo poderão afetar a capacidade de funcionamento.
14. Utilize apenas a bateria recarregável original e a estação de carregamento fornecidas pelo fornecedor. As baterias não recarregáveis são estritamente proibidas, consulte “parâmetros do produto” para obter especificações da bateria.
15. Não utilize o produto em ambientes com chamas abertas ou produtos frágeis
16. É proibida a utilização dos produtos em temperaturas extremamente quentes (acima de 40 graus) ou extremamente frias (abaixo de 0 graus). A garantia não cobre os danos provocados por isto.
17. Não toque nos produtos quando ligados e durante a limpeza. Mantenha o cabelo, vestuário, dedos e outras partes do corpo afastadas da abertura do produto
18. O produto não deve aspirar qualquer pedra ou resíduo de papel, uma vez que isto pode entupi-lo
19. O produto não deve absorver quaisquer artigos ardentes, tais como cigarros, fósforos, cinzas e etc., que possam provocar incêndios
20. Certifique-se de manter o produto afastado de quaisquer substâncias inflamáveis, tais como toner para impressoras e fotocopiadoras e outros líquidos inflamáveis
21. Não coloque artigos na abertura de sucção. Não utilizar o produto se a porta de sucção estiver bloqueada. Limpe o pó, pelos de algodão, etc. na abertura de sucção para assegurar uma circulação de ar suave
22. Use o cabo de alimentação cuidadosamente para evitar danos. Não puxe, arraste nem use o cabo de alimentação como pega ao mover a estação de carregamento.
23. Não posicione o cabo de alimentação em aberturas de portas ou outros locais onde possa provocar danos. Certifique-se de que há espaço livre em volta do cabo de alimentação e da estação de carregamento.

24. Não utilize a estação de carregamento nem o cabo de alimentação danificados
25. Aviso: este controlo remoto contém pilhas AAA. Utilize apenas pilhas AAA no controlo remoto.
26. Nunca utilize pilhas usadas e novas ou de tipos diferentes em simultâneo. Remova as pilhas quando não for utilizar o produto durante um período prolongado. Verifique a polaridade (+/-) das pilhas quando as inserir no produto. A posição incorreta poderá causar uma explosão. Pilhas não incluídas.
27. O adaptador da central de alimentação é utilizado como dispositivo de desligar, este deve permanecer sempre operacional. Por isso, certifique-se de que existe espaço ao redor da tomada elétrica para um acesso facilitado.

Composição do produto – Conteúdo da embalagem



1x Robot aspirador



1x Base de carregamento



2x Bateria



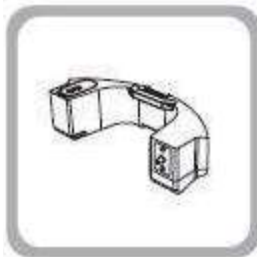
1x Telecomando



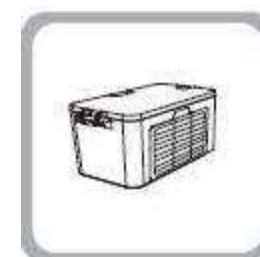
1x Adaptador



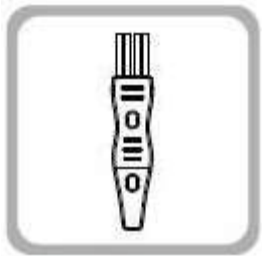
1x Conjunto do suporte de esfregona



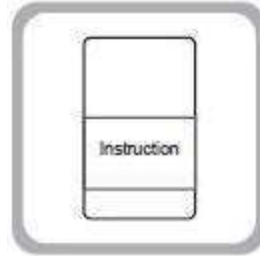
1x Depósito de água



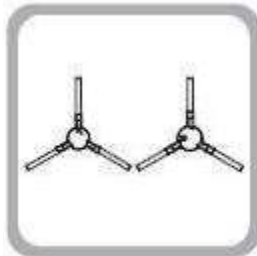
1x Recipiente do pó



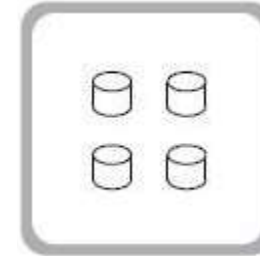
1x Escova de limpeza



1x Manual de instruções



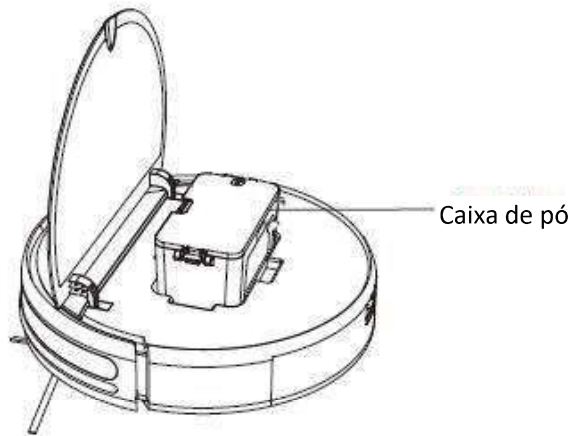
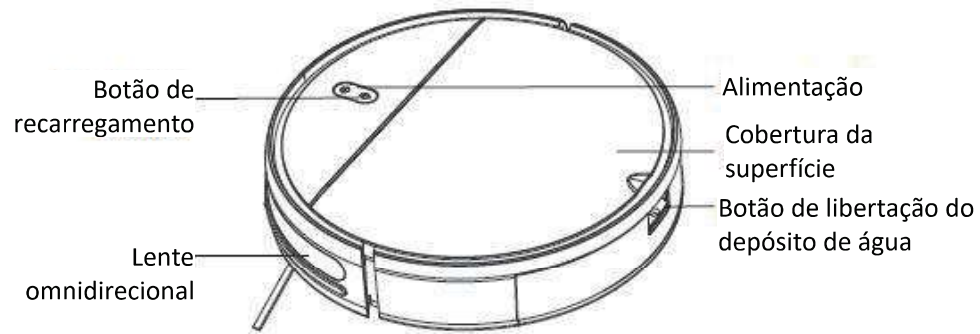
2x Escova lateral



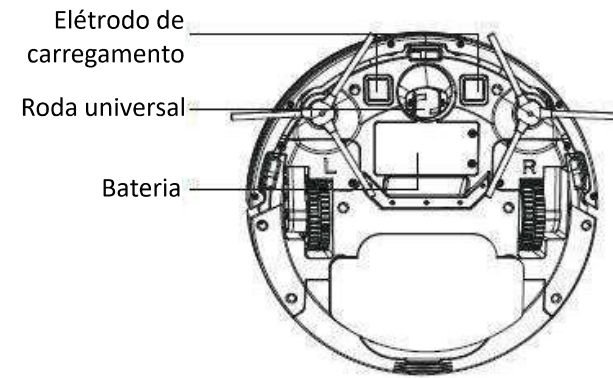
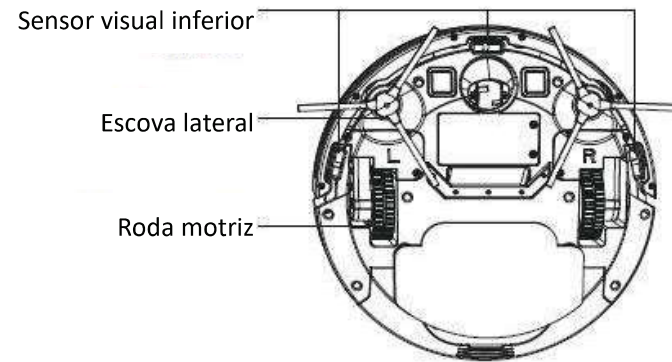
4x Filtro de algodão

Composição do produto – Descrição das partes

Parte frontal da unidade principal



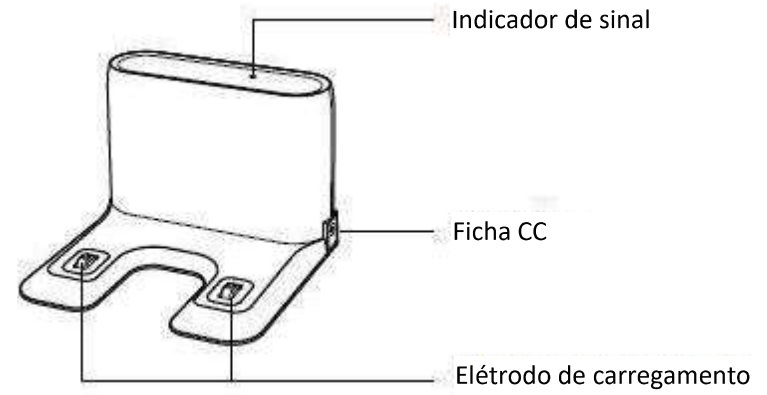
Parte traseira da unidade principal



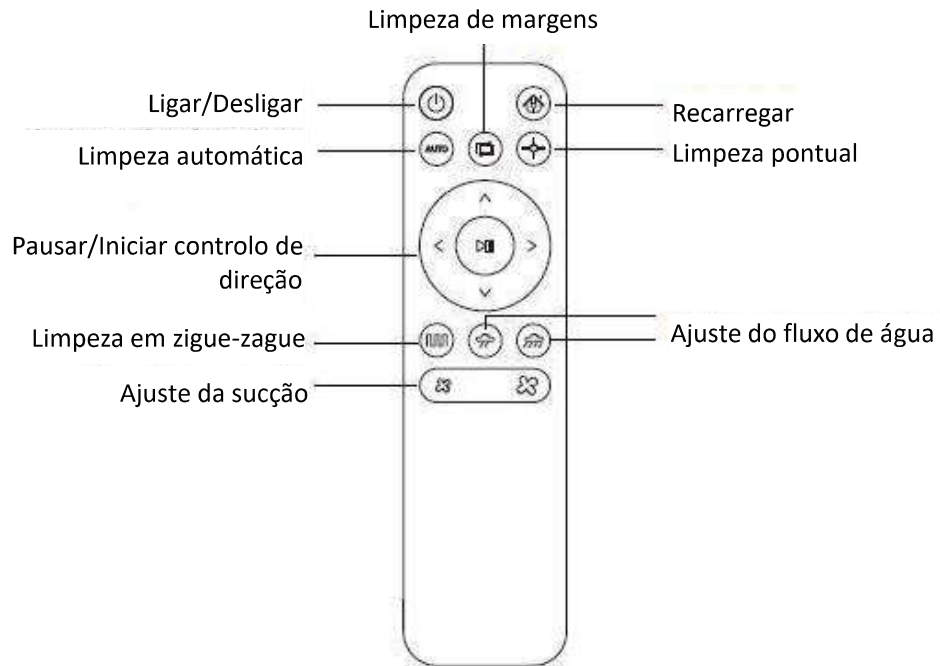
Caixa de pó



Base de carregamento



Controlo Remoto

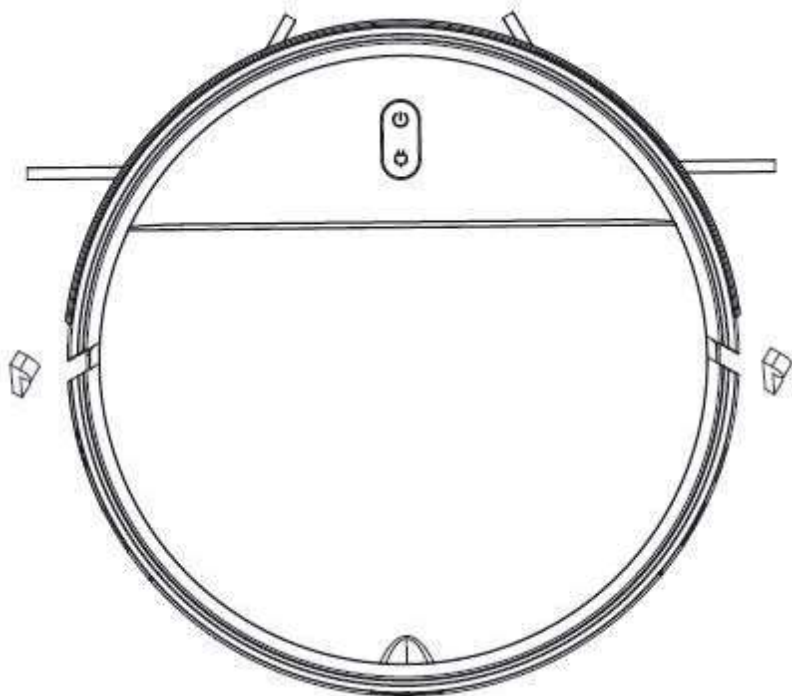


Preparativos

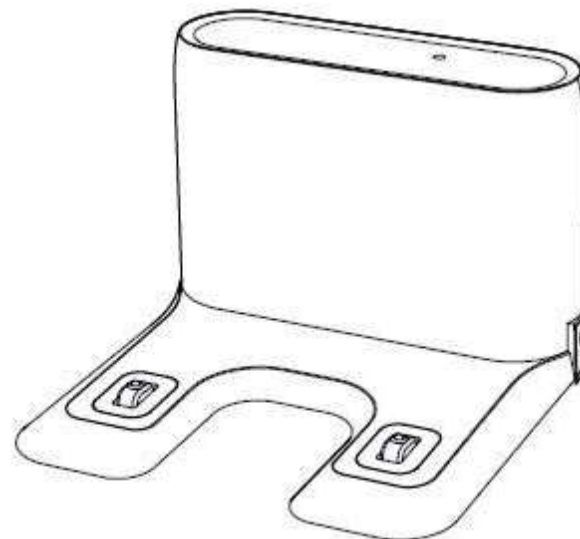
Remover as faixas de proteção

Antes de utilizar o aspirador, remova as faixas de proteção do mesmo.

Remover as faixas de proteção

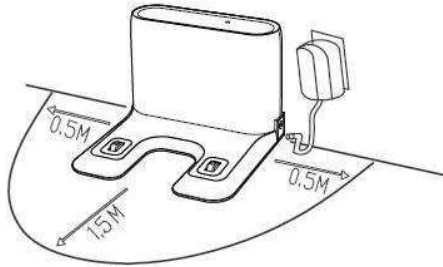


Remover a película protetora

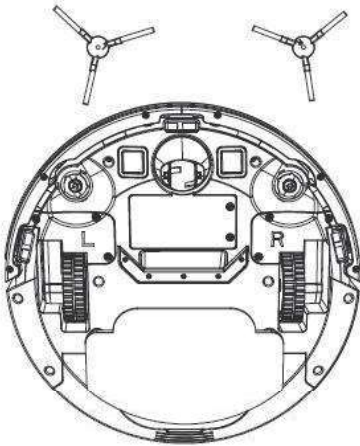


Utilização do produto – Carregar o robot aspirador

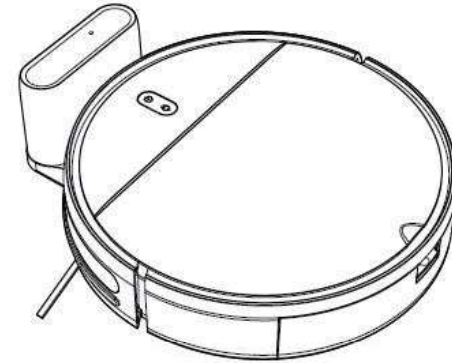
1. Coloque a base de carregamento no chão plano encostada à parede. Não coloque qualquer objeto a 0,5 m do lado direito e esquerdo da base de carregamento ou a 1,5 m em frente da base de carregamento.




2. Ligue a base de carregamento à fonte de alimentação.
3. Instale as escovas laterais esquerda e direita.



4. Carregamento: Coloque a unidade principal na base de carregamento para que seja carregada. Durante o carregamento, o indicador fica intermitente. Quando o carregamento fica concluído, o indicador permanece aceso. Demora cerca de 5 horas a carregar totalmente a unidade principal.



Durante a limpeza, a unidade principal verifica automaticamente o nível da bateria. Se não tiver bateria suficiente, a unidade principal ativa o modo de regresso à base de carregamento e regressa automaticamente à base de carregamento para carregar. Como alternativa, pode premir o botão  no telecomando para instruir a unidade principal a ativar o modo de regresso à base de carregamento.

Advertência:

1. Não utilize a base de carregamento num ambiente refletor, tal como num ambiente exposto à luz solar direta e um ambiente com espelhos na proximidade. Se houverem objetos refletores, cubra a base de carregamento a uma altura de 7 cm a partir da base.
2. Para garantir a duração do funcionamento normal da unidade principal, carregue totalmente a unidade principal antes de a utilizar. O tempo de carregamento é cerca de cinco horas.
3. Para garantir a segurança do carregamento e prevenir que o chão fique danificado por um pano molhado, remova o depósito de água antes de carregar a unidade principal.

Utilização do produto – Iniciar a limpeza

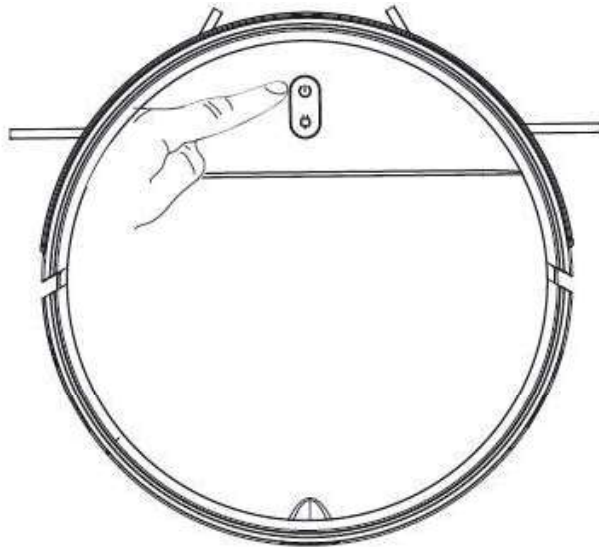
Para diferentes requisitos de limpeza, este produto oferece vários modos de limpeza para poder escolher. Pode seleccionar diferentes modos de limpeza através da unidade principal ou do telecomando.

O robot aspirador não tem capacidade para forçar ou ultrapassar patamares e soleiras.

Limpeza automática


Método de definição: Quando desligado, mantenha premido o botão para ligar/desligar.

Depois do indicador da unidade principal acender para indicar que a unidade principal está ligada, prima novamente o botão para ligar/desligar para ativar a limpeza automática.




Limpeza pontual

Cenário aplicável: O modo de limpeza é aplicável ao ambiente do soalho onde está concentrado o lixo. A unidade principal limpa o soalho num movimento em espiral na área especificada e regressa ao ponto original depois de realizar a limpeza.

Método de definição: Prima a tecla  no telecomando para ativar a limpeza de pontos fixos.


Limpeza de margens

Cenário aplicável: O modo de limpeza é aplicável aos cantos de interior. A unidade principal limpa o soalho ao longo das margens de objetos fixos (por exemplo, uma parede) e regressa à base de carregamento depois de realizar a limpeza.


Método de definição: Prima a tecla  no telecomando para ativar a limpeza ao longo das margens.

Controlo manual

Cenário aplicável: Controle a rota de limpeza e a área através dos botões direccionais no telecomando.

Método de definição: Prima a tecla  no telecomando para controlar o avanço, o recuo ou para virar o produto.

Utilização do produto – Pausar, reativar e encerrar

Pausa: quando a unidade principal está a funcionar, prima o botão para ligar/desligar na unidade principal ou prima a tecla de pausa  no telecomando para suspender a unidade principal.

Reativar: depois da unidade principal ser suspensa durante mais de 10 minutos, a unidade principal ativa o modo de suspensão (o indicador da unidade principal desliga-se). Prima o botão para ligar/desligar na unidade principal para a reativar ou prima a tecla para ligar/desligar no telecomando para reiniciar a unidade principal.

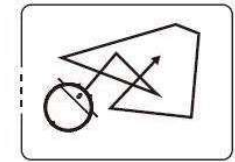
Desligar: depois da unidade principal ser suspensa, mantenha premido o botão para ligar/desligar na unidade principal. Se o indicador da unidade principal estiver desligado, o produto está desligado.

* Depois da unidade principal concluir a operação, é aconselhado a não encerrar a unidade principal. Mantenha a unidade principal no estado de carregamento para que possa funcionar melhor na operação seguinte.

Modos de limpeza

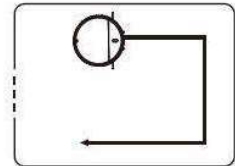
1. Limpeza automática

O robô efetua limpeza aleatória durante 90 minutos e, depois da limpeza ser concluída, regressará à base de carregamento para recarregar.



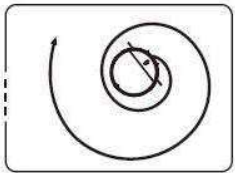
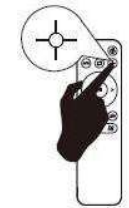
2. Limpeza de margens

O robô efetua a limpeza de margens a uma distância inferior a 2 cm da parede.



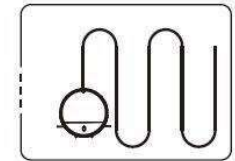
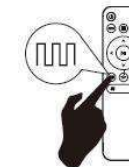
3. Limpeza pontual

O robô inicia a limpeza num movimento em espiral para o exterior, depois move-se numa espiral para o interior após alcançar um raio máximo de 0,6 metros. O robô termina a limpeza depois de regressar ao ponto inicial.



4. Limpeza em zigue-zague

No modo de limpeza em zigue-zague, a maior distância de limpeza é 5 metros em linha reta.



Utilização do produto – Ligação à rede Wi-Fi

1. Transferir a APLICAÇÃO/Registrar conta

Efetue a leitura do código QR ou procure por "Tuya Smart" na loja de aplicações e transfira-a. Siga as instruções de operação da APLICAÇÃO para registrar uma conta.

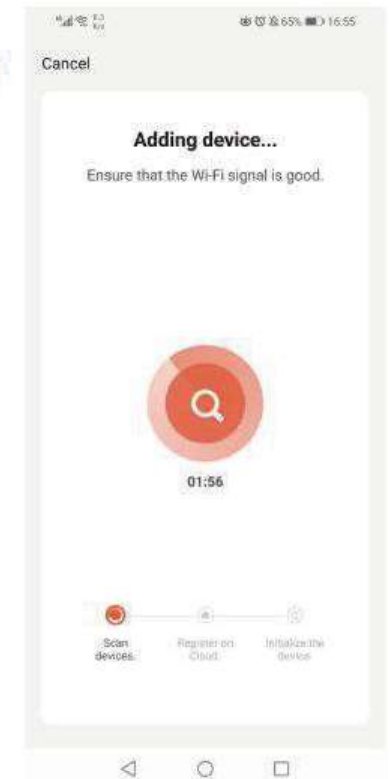
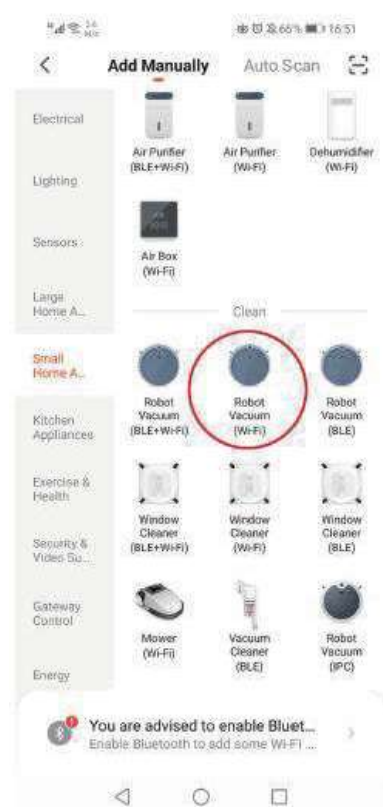
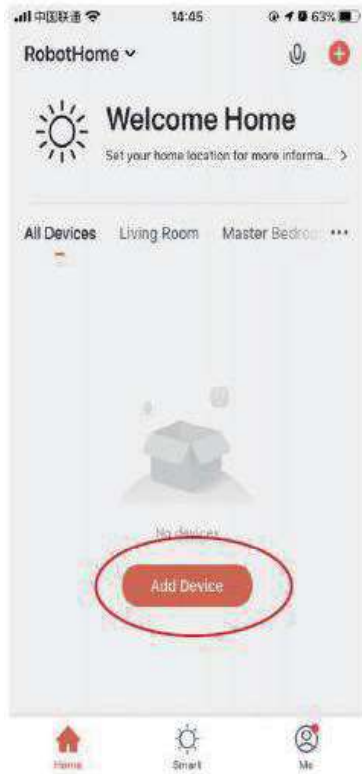


2. Ligação à rede Wi-Fi

Existem dois modos de ligação à rede Wi-Fi: **Modo EZ** e **Modo de PA**.

(1) Modo EZ:

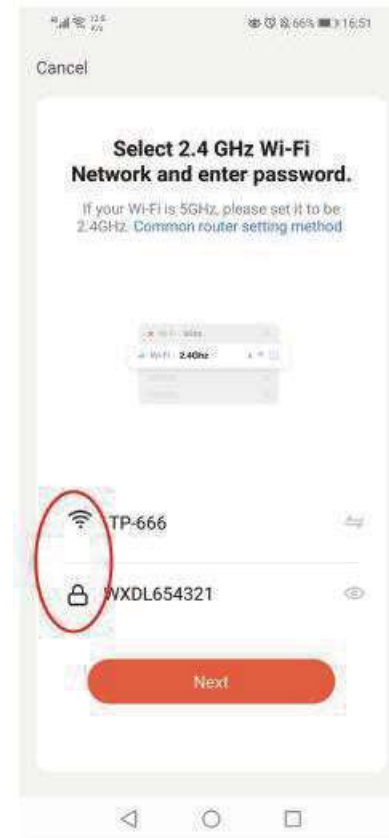
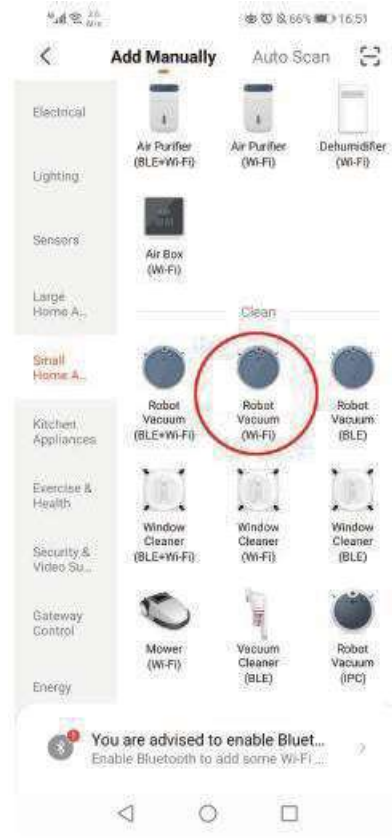
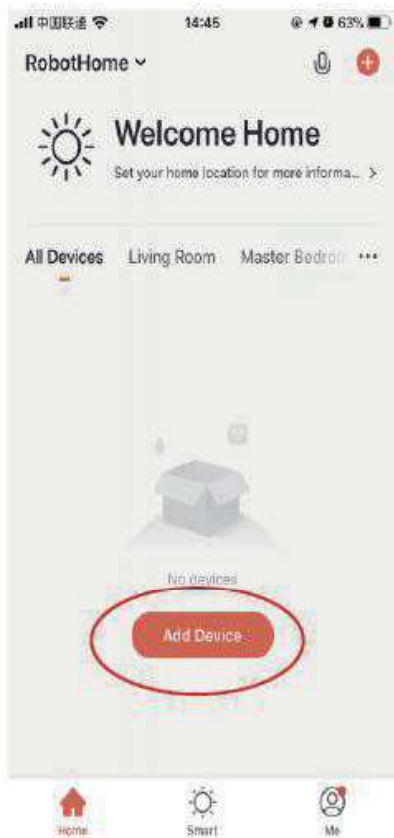
1. Ligue o robô, mantenha premido o botão de recarregamento durante 3 segundos para entrar no modo EZ, sendo emitido um aviso sonoro. A luz indicadora de alimentação fica amarela e intermitente.



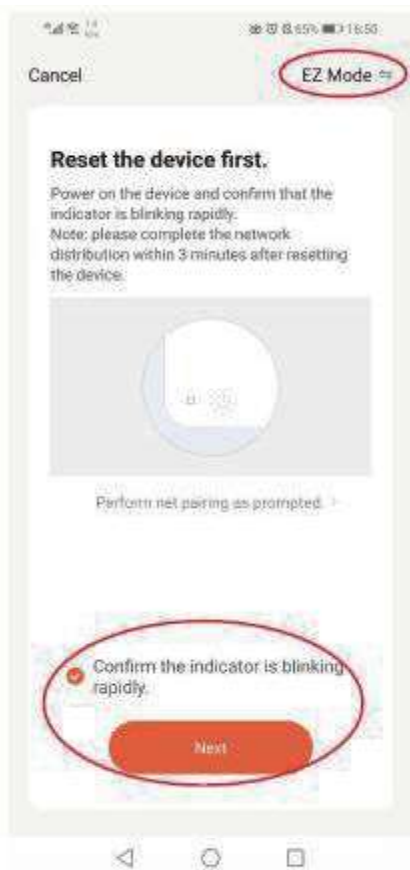
2. Inicie sessão na sua APLICAÇÃO Tuya e clique em "Adicionar dispositivo".
3. Selecione "Pequeno eletrodoméstico" e, em seguida, selecione "Robot aspirador com Wi-Fi".
4. Selecione a rede Wi-Fi de 2,4 GHz e introduza o nome e a palavra-passe da rede Wi-Fi e, em seguida, clique em "Seguinte".
5. Selecione o modo EZ, clique em "Confirme se o indicador está intermitente rápido" e em "Seguinte" para aguardar o resultado da ligação.

(2) Modo de PA:

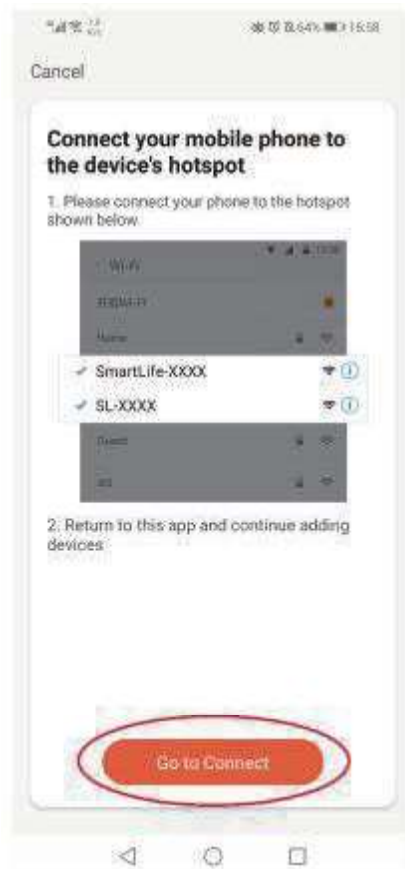
1. Ligue o robô, mantenha premido o botão de recarregamento durante 6 segundos para entrar no modo de PA, sendo emitidos dois avisos sonoros. A luz indicadora de alimentação fica amarela e intermitente.



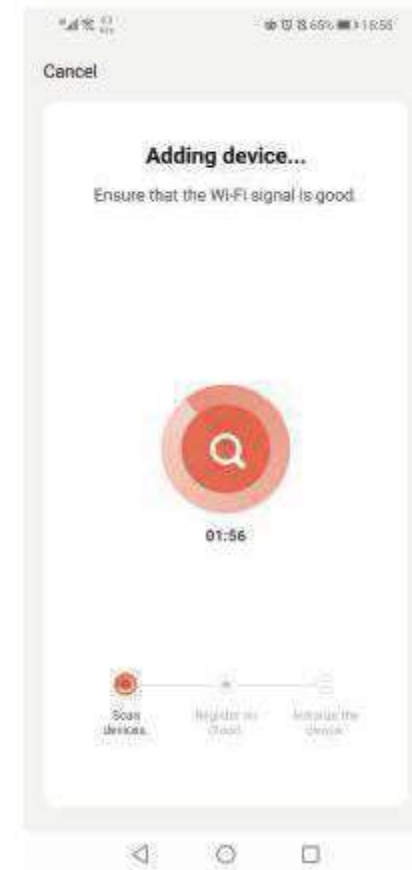
2. Inicie sessão na sua APLICAÇÃO Tuya e clique em "Adicionar dispositivo".
3. Selecione "Pequeno eletrodoméstico" e, em seguida, selecione "Robot aspirador com Wi-Fi".
4. Selecione a rede Wi-Fi de 2,4 GHz e introduza o nome e a palavra-passe da rede Wi-Fi e, em seguida, clique em "Seguinte".



5. Selecione o modo AP e clique em "Confirme se o indicador está intermitente" e em "Seguinte".



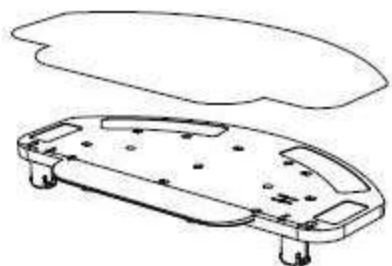
6. Estabeleça ligação com o ponto de acesso Wi-Fi que começa com "SmartLife XXX".



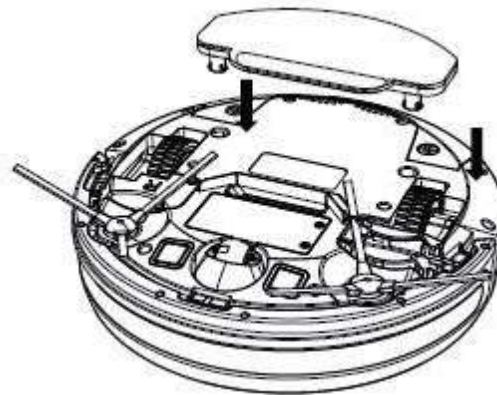
7. Depois de estabelecer ligação ao ponto de acesso Wi-Fi, regresse à APLICAÇÃO Tuya e aguarde o resultado da ligação ao robô.

Utilização do produto – Instalar o suporte da esfregona

A. Instalar o pano de esfregona no suporte da esfregona;



B. Instalar o suporte de esfregona no robô;

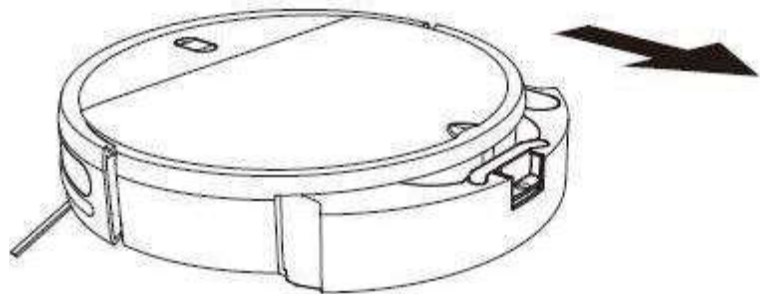


Utilização do produto – Depósito de água

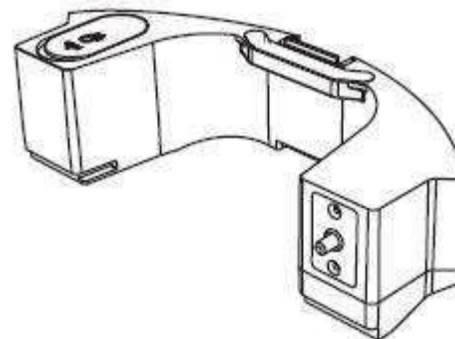
* Não utilize a função de esfregona em tapetes.

* Depois de lavar o chão, limpe o depósito de água e retire o pano de esfregona atempadamente.

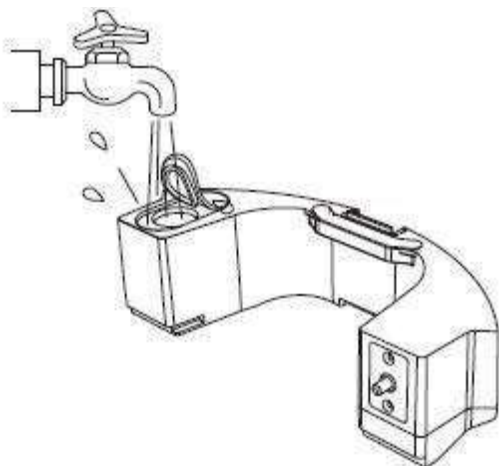
A. Retire o depósito de água;



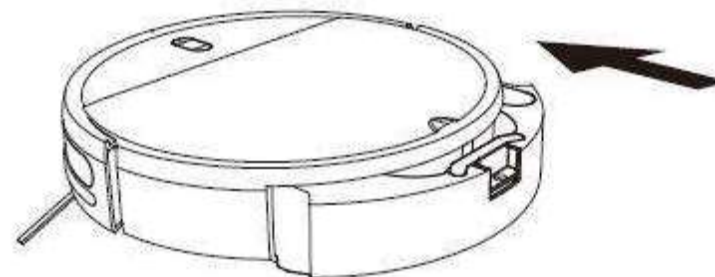
C. Espalme o bujão de borracha;



B. Abra o bujão de gel de sílica e adicione água;

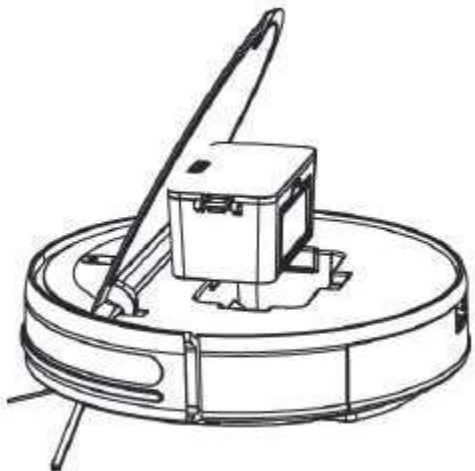


D. Instale o depósito de água no robô.

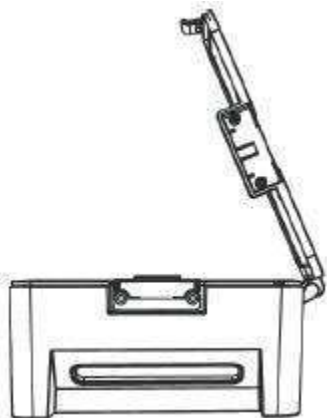


Manutenção das partes – Caixa de pó

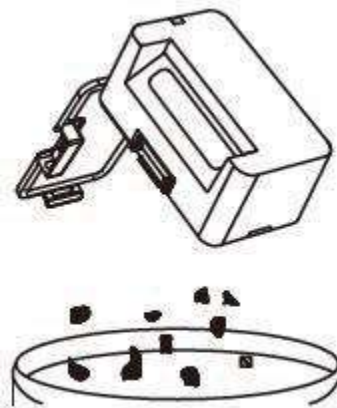
A. Prima o botão na caixa de pó para a retirar.



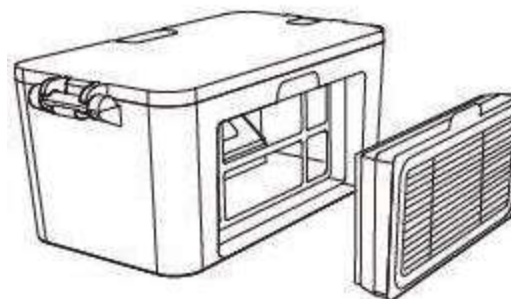
B. Abra a tampa lateral da caixa de pó.



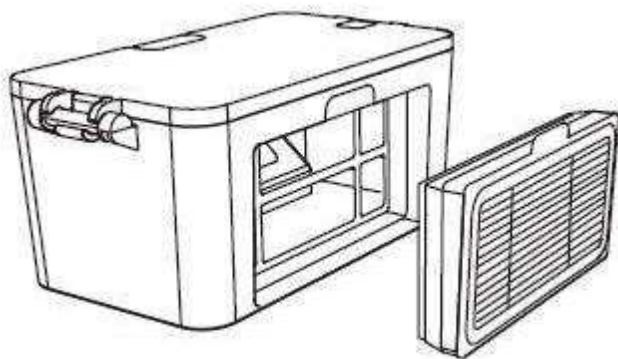
C. Deite fora o lixo.



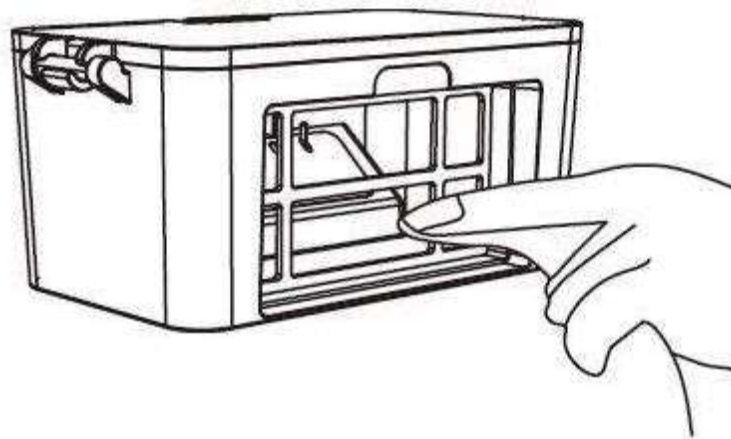
D. Retire o filtro HEPA.



E. Bata o filtro HEPA para retirar o pó.



G. Limpe a caixa de pó com um pano.

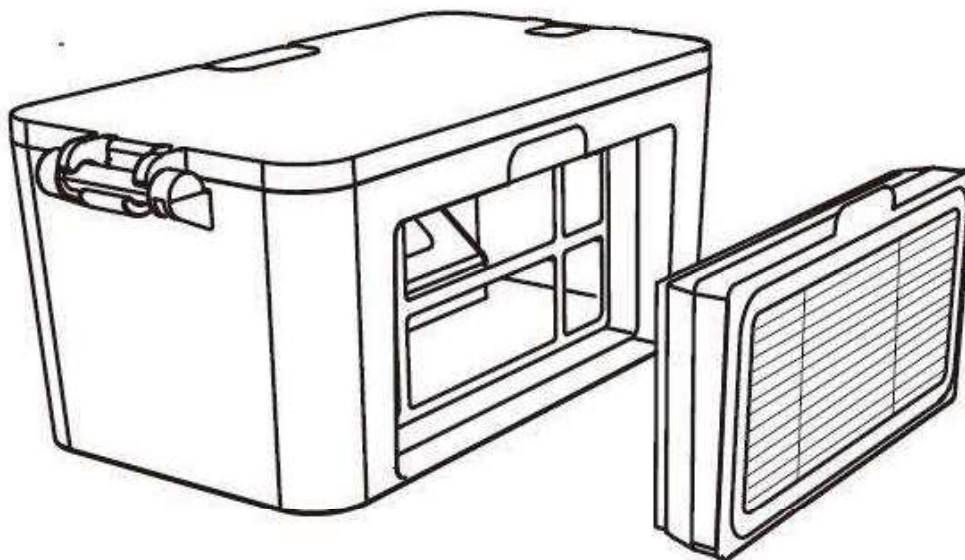
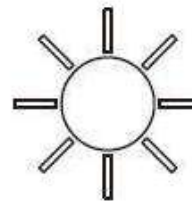


F. Lave o filtro HEPA.



H. Seque a caixa de pó e o componente do filtro para garantir a duração dos mesmos.

Nota: É recomendado a lavar o filtro HEPA a cada 15 a 30 dias. A duração máxima do filtro HEPA é três meses.



I. Volte a colocar o filtro HEPA na caixa de pó.

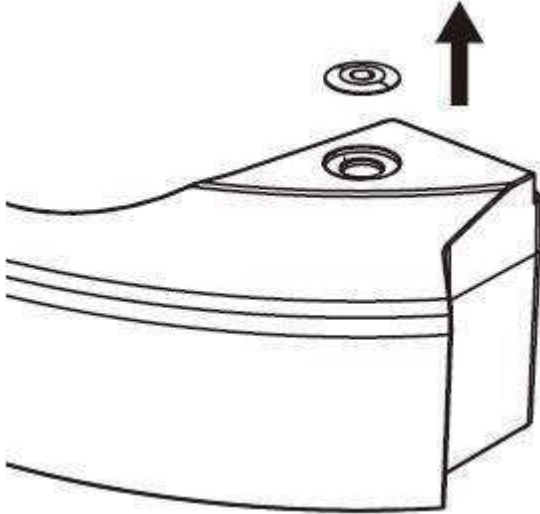
Nota: 1. Antes de instalar o filtro HEPA, certifique-se de que o filtro HEPA está seco.

2. Não exponha o filtro HEPA à luz solar.

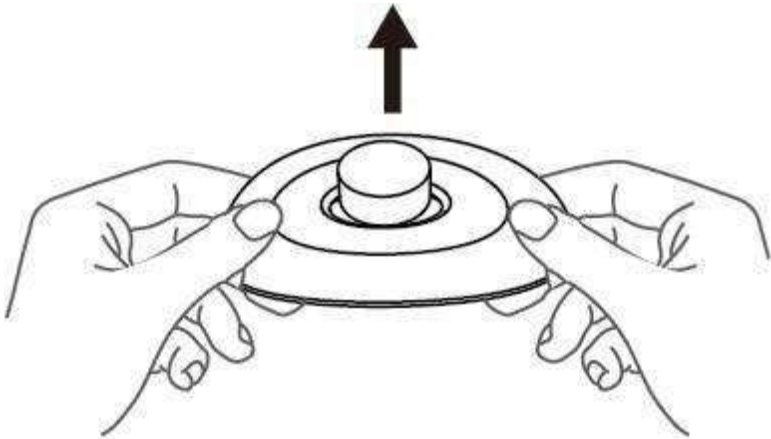
J. Feche a tampa da caixa de pó e instale a caixa de pó na unidade principal.

Manutenção das partes – Filtro de algodão

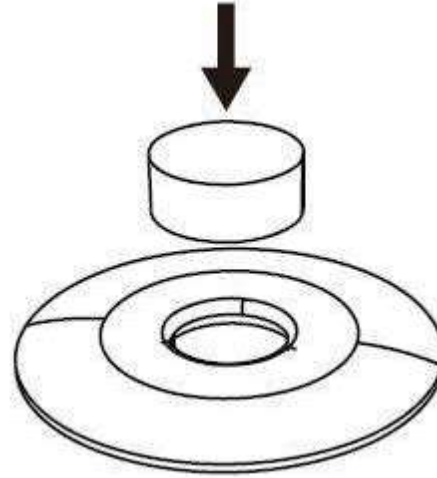
A. Retire o bujão de borracha da tomada;



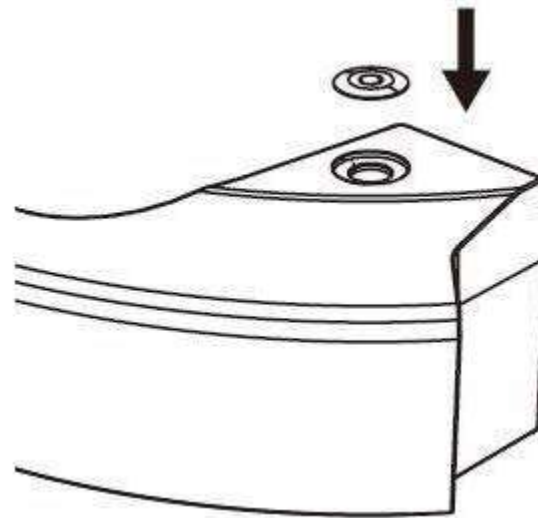
B. Retire o filtro de algodão do bujão de borracha da tomada;



C. Substitua por um filtro de algodão novo;



D. Instale o bujão de borracha da tomada.

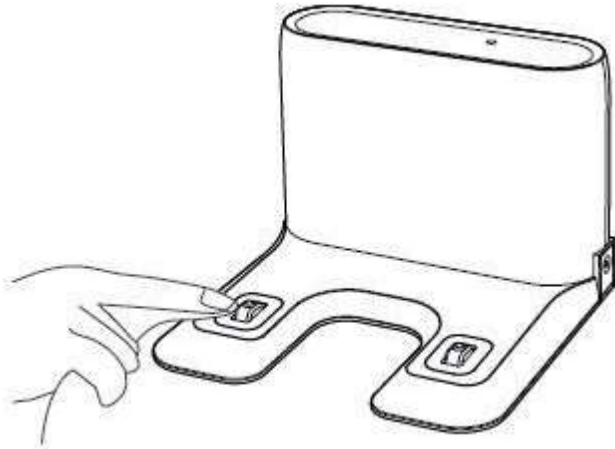


Manutenção das partes – Eléctrodo de carregamento, Sensor visual inferior, Roda motriz e Roda universal

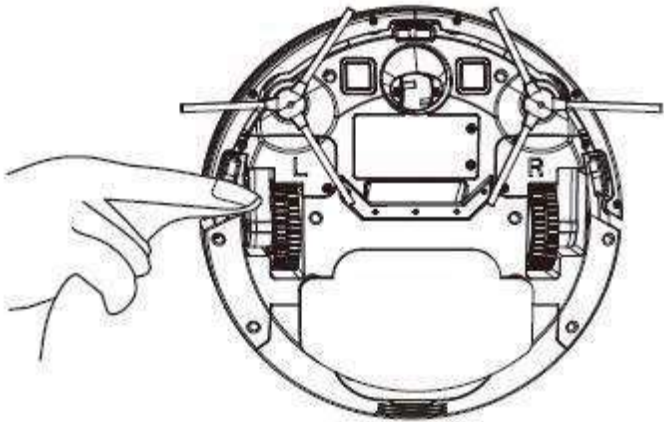
Nota: O eléctrodo de carregamento, o sensor visual inferior e o para-choques contêm componentes electrónicos. Utilize um pano seco para limpar as partes.

Não utilize um pano molhado para impedir que entre água nas partes causando danos.

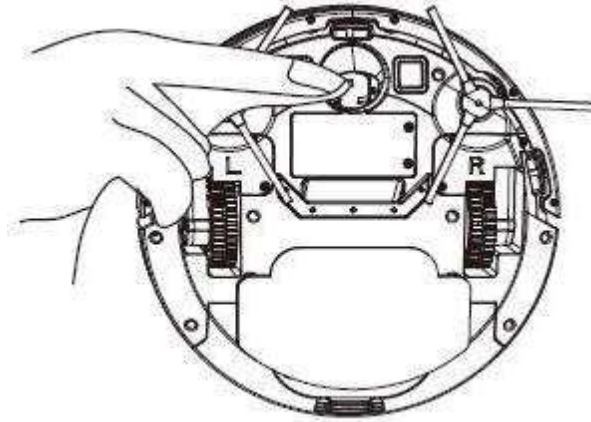
Limpar o eléctrodo de carregamento



Limpar o sensor visual inferior



Limpar a roda motriz e a roda universal



- * Se não for utilizar o produto durante um período prolongado, carregue-o totalmente e, em seguida, desligue o produto antes de o armazenar. Carregue o produto a cada três meses para evitar descarregar demasiado a bateria.
- * Se a bateria estiver demasiado descarregada ou não tiver sido utilizada durante um período prolongado, o produto poderá não recarregar. Contacte os agentes do serviço pós-venda da companhia para ser realizada a manutenção. Não desmonte o produto.

Indicação luminosa

O robô possui duas luzes indicadoras, a superior serve para indicar se está ligado ou não e a inferior serve como indicação de carregamento. Existem três cores de luzes: vermelho, verde e amarelo. O estado da luz inclui a luz desligada, luz sempre acesa, luz intermitente rápida e luz intermitente lenta.

Item	Estado do dispositivo	Estado da iluminação			
		Alimentação		A recarregar	
		Cor	Estado	Cor	Estado
1	Ligar	Verde	Acesa		Desligado
2	Desligar		Desligado		Desligado
3	Limpeza	Verde	Desligado		Desligado
4	A recarregar	Verde	Acesa	Amarelo	Acesa
5	Recarregar bateria fraca	Verde	Acesa	Vermelho	Acesa
6	Durante o carregamento	Verde	Acesa	Verde	Intermitente lento
7	Carregamento terminado	Verde	Acesa	Verde	Acesa
8	PA Wi-Fi	Verde	Intermitente rápido	Verde	Intermitente rápido
9	Ligado a Wi-Fi	Verde	Acesa		Desligado
10	Advertência	Vermelho	Intermitente rápido		Desligado
11	Modo em espera	Verde	Acesa		Desligado
12	Modo de suspensão		Desligado		Desligado
13	Bateria fraca	Vermelho	Intermitente rápido		Desligado
14	Não calibrado	Vermelho	Intermitente rápido	Vermelho	Intermitente rápido
15	Calibrado	Verde	Acesa		Desligado

Especificações do Produto

Categoria	Item	Especificações
Estrutura	Diâmetro	300 mm
	Altura	74 mm
Bateria	Peso líquido	2,5 kg
	capacidade da bateria	14,4 V
	Bateria	Bateria de lítio recarregável de 2500 mAh
Desempenho	Capacidade da caixa de pó	200 ml
	Tipos de carregamento	Carregamento automático e carregamento manual
	Modos de limpeza	Limpeza automática; Limpeza pontual; Limpeza de margens
	Tempo de carga	Cerca de 300 minutos
Unidade principal	Tempo de limpeza	Cerca de 100 minutos
	Potência nominal (W)	28
	Tensão de funcionamento (V)	14,4

* Devido ao contínuo melhoramento do produto, as especificações do produto estão sujeitas ao produto real. A nossa companhia reserva-se o direito de atualizar o produto.

Ter em atenção - Todos os produtos estão sujeitos a alteração sem aviso prévio. Aceitamos com reserva erros e omissões no manual.

TODOS OS DIREITOS RESERVADOS, COPYRIGHT DENVER A/S



denver.eu



Equipamentos elétricos e eletrónicos, bem como as pilhas incluídas, contêm materiais, componentes e substâncias que podem ser perigosos para a sua saúde e para o meio ambiente, caso o material usado (equipamentos elétricos e eletrónicos deitados fora, incluindo pilhas) não sejam eliminados corretamente.

O equipamento elétrico e eletrónico e as pilhas estão marcados com o símbolo de caixote de lixo com uma cruz, como apresentado em cima. Este símbolo significa que os equipamentos elétricos e eletrónicos, bem como as pilhas, não devem ser deitados fora em conjunto com o lixo doméstico, mas separadamente.

Como utilizador final, é importante que envie as suas pilhas usadas para uma unidade de reciclagem adequada. Assim, certamente as pilhas serão recicladas de acordo com a legislação e o meio ambiente não será prejudicado.

Todas as cidades possuem pontos de recolha específicos, onde os equipamentos elétricos e eletrónicos, bem como as pilhas, podem ser enviados gratuitamente para estações de reciclagem e outros locais de recolha ou recolhidos na sua própria casa. O departamento técnico da sua cidade disponibiliza informações adicionais em relação a isto.

Pelo presente, a Denver A/S declara que o tipo de equipamento de rádio RVC-110 está em conformidade com a Diretiva 2014/53/UE. O texto integral da declaração de conformidade UE está disponível no seguinte endereço de Internet: denver.eu e, em seguida, clicar no ÍCONE de pesquisa na linha superior do sítio web. Escrever o número do modelo: RVC-110. Agora, entrar na página do produto e a diretiva relativa aos equipamentos de rádio encontra-se em transferências/outras transferências.
Alcance da frequência de funcionamento: 2400MHz-2483.5MHz
Potência de saída máxima: 19dBm

DENVER A/S

Omega 5A, Soeften

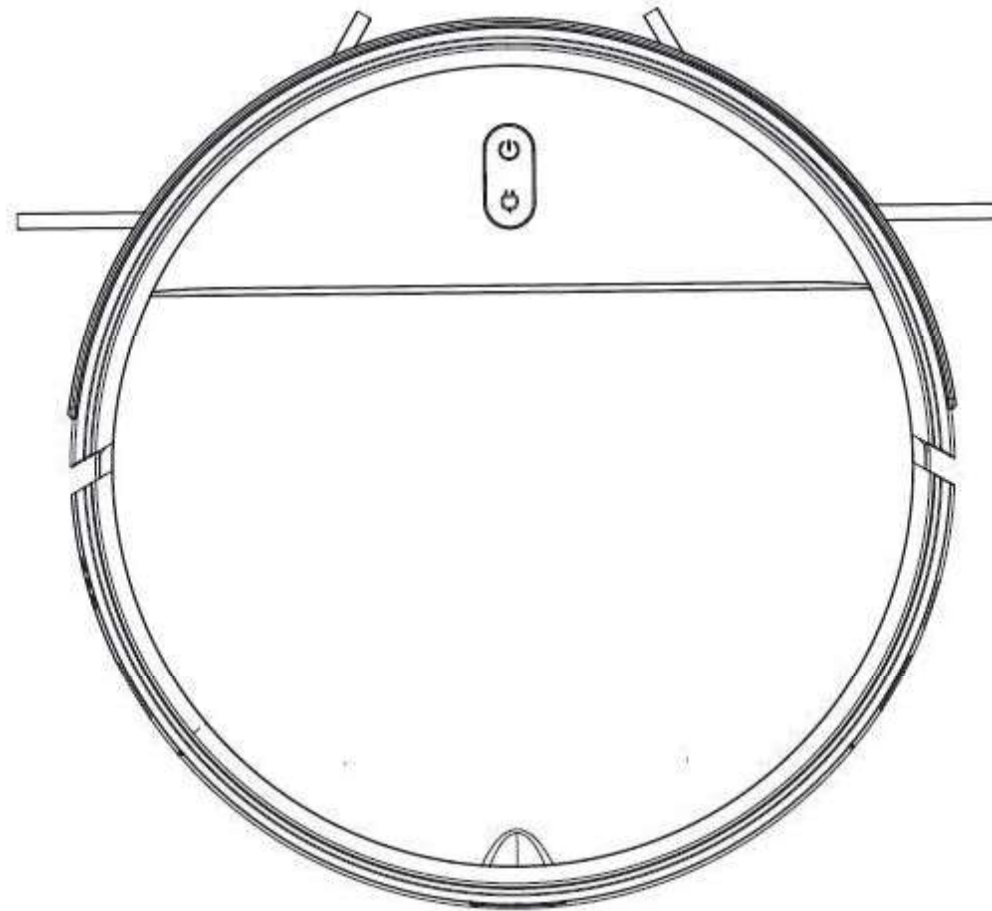
DK-8382 Hinnerup

Dinamarca

www.facebook.com/denver.eu

Bruksanvisning för robotdammsugare

Modell: RVC-110



www.denver.eu

[facebook.com/Denver.eu](https://www.facebook.com/Denver.eu)

Säkerhetsinstruktioner

Läs noga igenom säkerhetsföreskrifterna innan du använder produkten för första gången och behåll föreskrifterna för framtida referens.

1. Håll produkten utom räckhåll för barn. Se även till att husdjur inte kan tugga på eller svälja produkten.
2. Varning: Denna produkt innehåller ett litiumjonbatteri.
3. Produkten får aldrig öppnas. Endast kvalificerad personal får demontera den här produkten. Användare rekommenderas att inte utföra service eller underhåll
4. Ladda endast med medföljande laddare. Tillbehör som inte är original får inte användas tillsammans med produkten då detta kan äventyra produktens funktion.
5. Rör inte vid ledningar eller uttag med någon kroppsdel medan produkten är i rengöringsläge
6. Sitt inte på produkten
7. Innan den här produkten används ska du ta bort alla sköra föremål såsom lampor, glasföremål, gardiner och andra hinder som kan trassla in sig i borstarna eller luftintaget.
8. Böj inte kablar och placera inte tunga föremål på enheten
9. Den här produkten är avsedd för hushållsbruk. Produkten är avsedd för inomhusbruk i torra miljöer. Använd den inte utomhus.
10. Använd inte den här produkten i våta miljöer såsom ett badrum
11. Informera andra i hushållet när produkterna rengörs för att förhindra olyckor
12. Töm dammlådan innan enheten används. En full dammlåda påverkar rengöringens effektivitet och sänker sugförmågan
13. Produktens drifts- och förvaringstemperatur är 0 till 40 grader Celsius. Omgivningar över och under denna temperatur kan påverka funktionen.
14. Använd endast det medföljande laddningsbara batteriet och laddningsstället som tillhandahålls från leverantören. Icke laddningsbara batterier är strängt förbjudna.
Se "produktparametrar" för mer information om batterier.
15. Använd inte produkten i omgivningar med öppna lågor eller ömtåliga produkter
16. Det är förbjudet att använda produkten i extremt varma (över 40 °C) eller extremt kalla (under 0 °C) temperaturer. Garantin täcker inte skador som orsakas av detta.
17. Rör inte vid produkten medan den är påslagen och rengörs. Håll hår, kläder, fingrar och andra kroppsdelar borta från produktens öppningar
18. Produkten kan inte ta bort stenar eller papper då detta kan täppa till den
19. Produkten kan inte ta bort brinnande föremål såsom cigaretter, tändstickor, aska osv. som kan orsaka brand
20. Se till att hålla produkten borta från lättantändliga ämnen såsom toner för skrivare och kopiatorer samt andra brandfarliga vätskor
21. Placera inte föremål i sugöppningen. Använd inte produkten medan sugporten är blockerad. Rensa upp damm eller hår osv. vid sugöppningen för att garantera en jämn luftcirkulation vid öppningen
22. Använd strömsladden försiktigt för att undvika skador. Dra inte i, och använd inte strömsladden som ett handtag, när du flyttar laddningsstället.
23. Placera inte strömsladden i dörröppningar eller på andra platser där den kan orsaka skada. Se till att det finns fritt utrymme runt strömsladden och laddningsstället.
24. Använd inte ett skadat laddningsställ eller strömsladd
25. Varning: Den här fjärrkontrollen innehåller AAA-batterier. Använd endast AAA-batterier i fjärrkontrollen.
26. Använd aldrig gamla och nya batterier, eller olika typer av batterier tillsammans. Ta ur batterierna när du inte tänker använda produkten under en längre tid. Kontrollera batteriernas polaritet (+/-) när du sätter i dem i produkten. Felaktig montering kan orsaka en explosion. Batterier medföljer inte.

27. Den här nätadaptern används för att frångkoppla enheten och den skall alltid vara lätt tillgänglig. Så se till att det finns utrymme kring eluttaget så att det är lätt åtkomligt.

Produktsammansättning – förpackningens innehåll



1x robotdammsugare



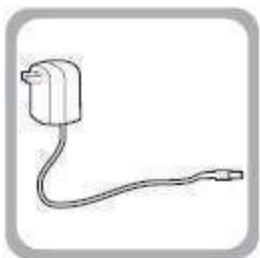
1x laddningsdocka



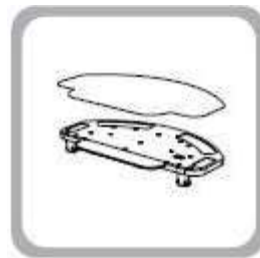
2x batteri



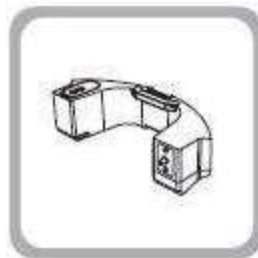
1x fjärrkontroll



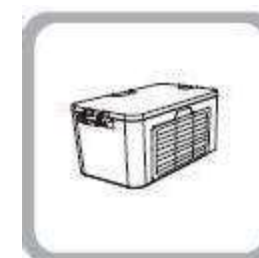
1x adapter



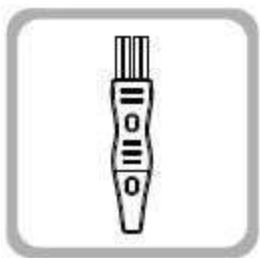
1x mopphållare



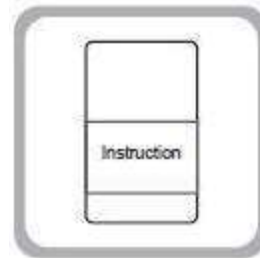
1x vattentank



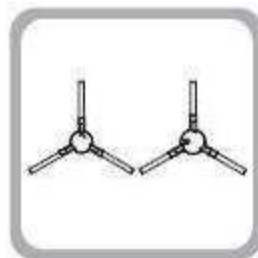
1x soptunna



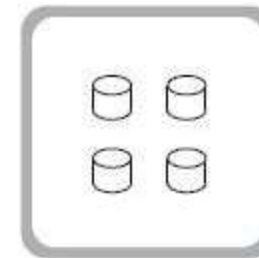
1x rengöringsborste



1x bruksanvisning



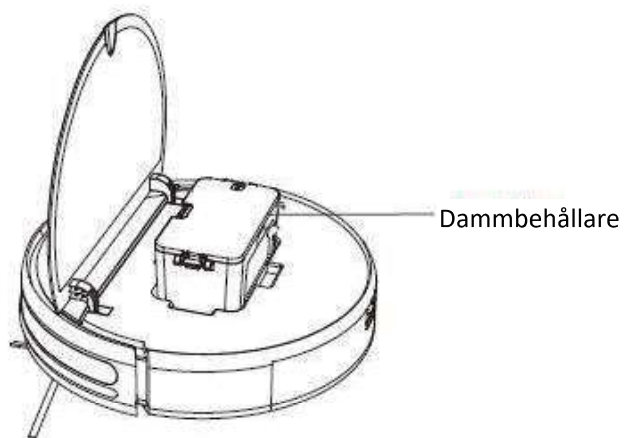
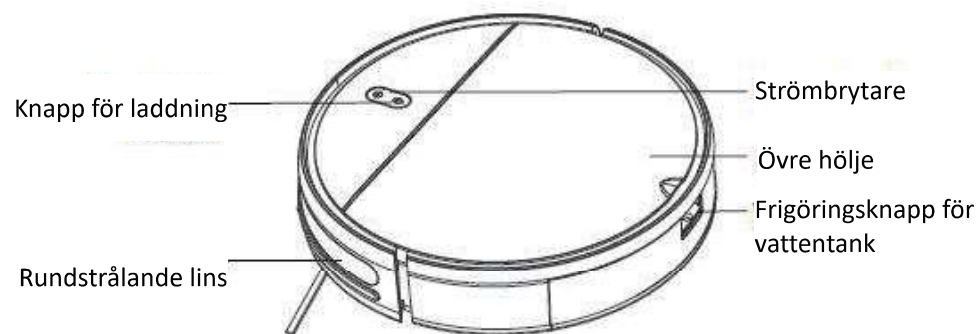
2x sidoborste



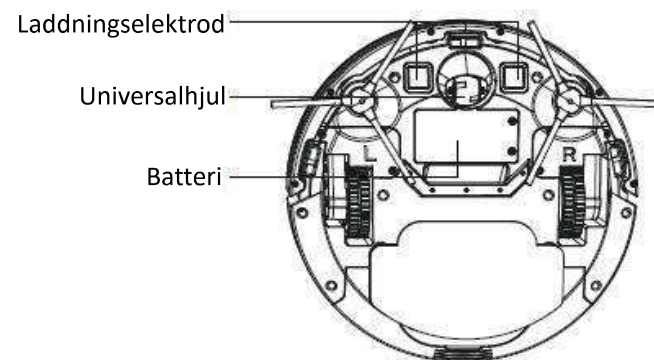
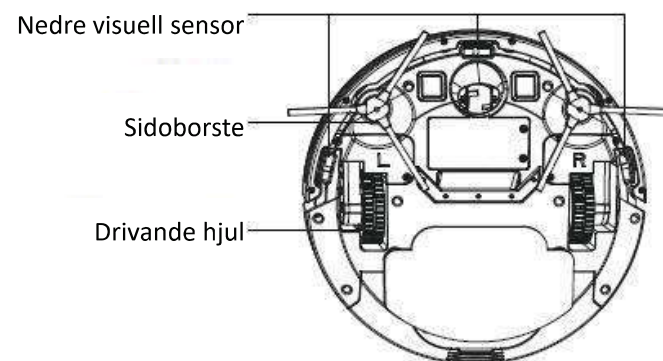
4x bomullsfilter

Produktsammansättning – beskrivning av delar

Framsidan av huvudenheten



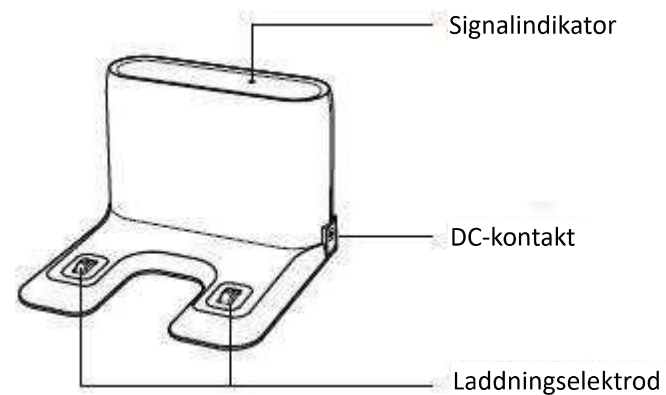
Baksidan av huvudenheten



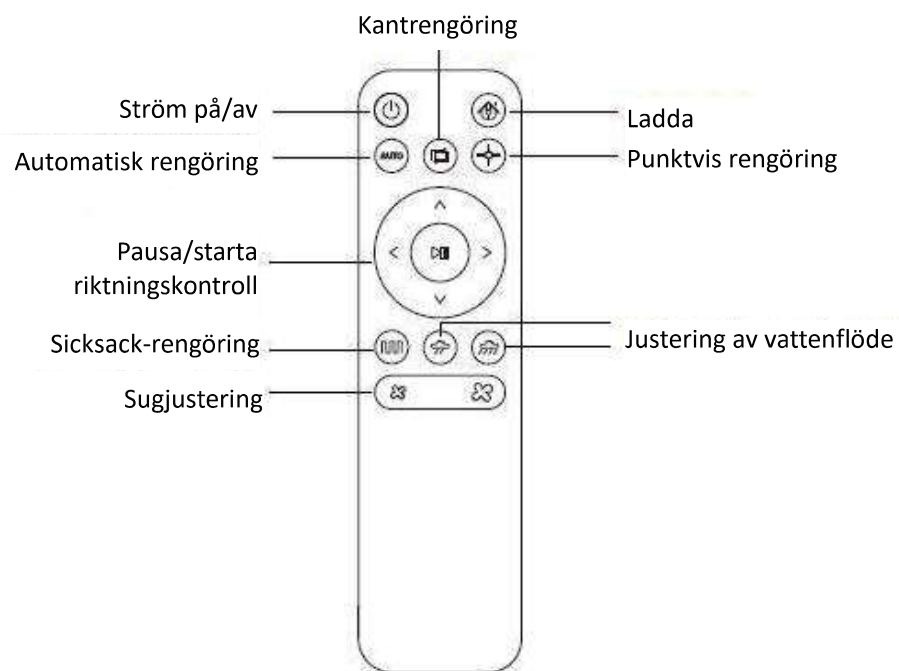
Dammbehållare



Laddningsdocka



Fjärrkontroll

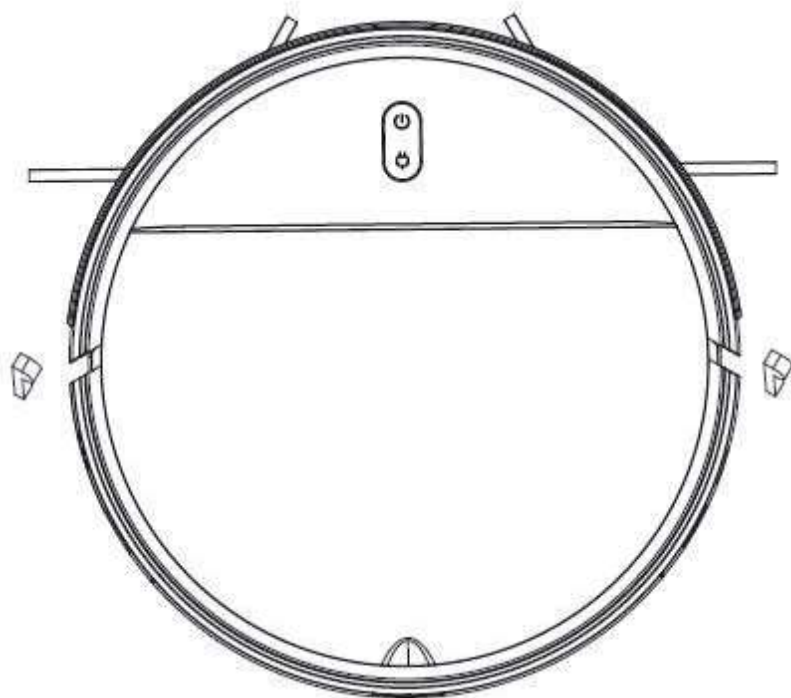


Förberedelser

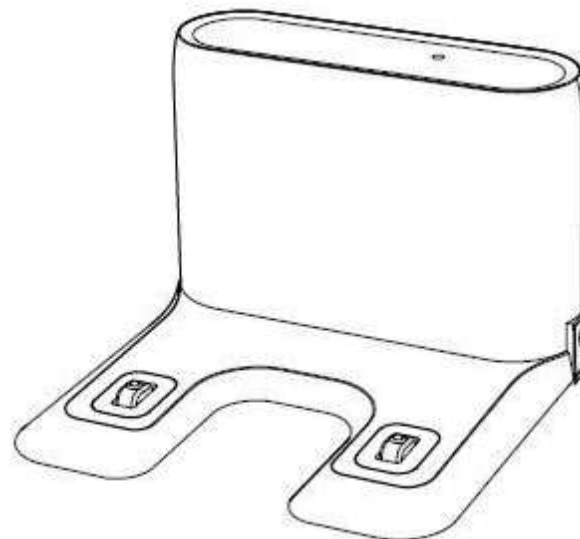
Ta bort skyddsremсор

Ta bort skyddsremсорna från dammsugaren innan den används.

Ta bort skyddsremсор

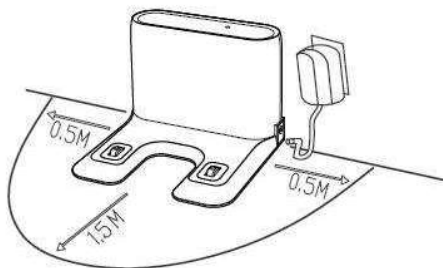


Ta bort skyddsfilm

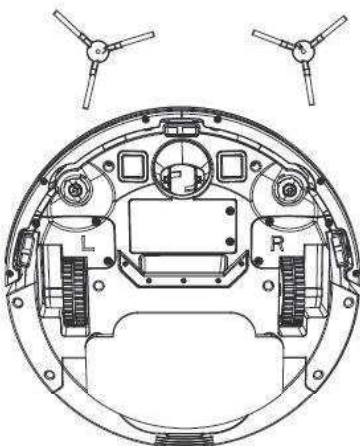


Produktanvändning – ladda robotdammsugaren

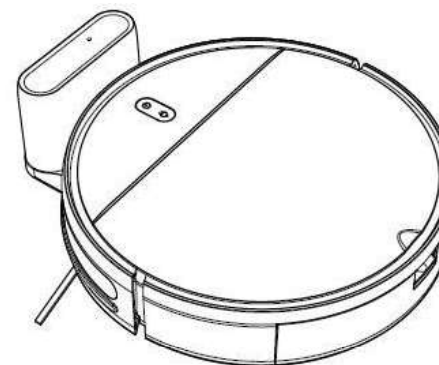
1. Placera laddningsdockan på en plan yta och mot väggen. Placera inga föremål 0,5 m till vänster och höger om laddningsdockan eller 1,5 m framför den.



2. Anslut laddningsdockan till vägguttaget.
3. Montera vänster och höger sidoborstar.




4. Ladda: Placera huvudenheten på laddningsdockan för att ladda den. När enheten laddas blinkar indikatorn. När laddningen är slutförd lyser indikatorn fast. Det tar cirka fem timmar att helt ladda huvudenheten.



Under rengöring kontrollerar huvudenheten automatiskt sin batterinivå.

Om batterinivån är otillräcklig aktiverar huvudenheten läget som får den att återgå till laddningsdockan och den återgår automatiskt till laddningsdockan för laddning.

Alternativt kan du trycka på knappen  på fjärrkontrollen för att tvinga huvudenheten att aktivera läget som får den att återgå till laddningsdockan.

Varning:

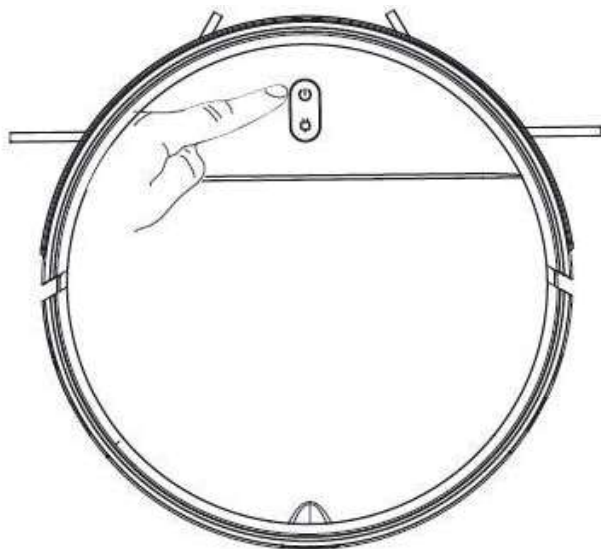
1. Använd inte laddningsdockan i reflekterande miljöer som utsätts för direkt solljus och miljöer med speglar i närheten. Om det finns reflekterande föremål ska du täcka över laddningsdockan på en höjd av 7 cm från nederdelen.
2. Ladda huvudenheten helt före användning för att garantera dess normal användningstid. Laddningstiden är cirka fem timmar.
3. För att garantera säkerheten vid laddning och förhindra att fuktiga trasor skadar golvet bör du ta bort vattentanken innan du laddar huvudenheten.

Produktanvändning – påbörja rengöringen

För olika krav på rengöring erbjuder den här produkten flera rengöringslägen som du kan välja bland. Du kan använda olika rengöringslägen via huvudenheten eller fjärrkontrollen. Robotdammsugaren är inte tillverkad för att tvinga sig över kanter och trösklar.

Automatisk rengöring

Inställningsmetod: Tryck på och håll strömbrytaren nedtryckt i avstängt läge. Huvudenhetens indikator tänds vilket indikerar att den är påslagen. Tryck då på strömbrytaren igen för att aktivera automatisk rengöring.



Punktvis rengöring

Tillämpligt scenario: Rengöringsläget kan tillämpas på golv där skräp är mer koncentrerat. Huvudenheten rengör golvet i en spiralformad bana inom det angivna området och återgår till ursprungspunkten när rengöring är slutförd.

Inställningsmetod: Tryck på knappen  på fjärrkontrollen för att aktivera rengöring av en fast punkt.

Kantrengöring

Tillämpligt scenario: Rengöringsläget kan tillämpas på hörn i hus. Huvudenheten rengör marken längs kanterna på fasta föremål (såsom en vägg) och återgår till laddningsdockan när rengöring är slutförd.


Inställningsmetod: Tryck på knappen  på fjärrkontrollen för att aktivera rengöring längs kanten.

Manuell kontroll

Tillämpligt scenario: Styr rengöringsrutten och -området med hjälp av styrknapparna på fjärrkontrollen.

Inställningsmetod: Tryck på knappen  på fjärrkontrollen för att styra enheten medan den rör sig framåt, bakåt eller svänger.

Produktanvändning – pausa, väcka och stänga av

Paus: När huvudenheten är i drift kan du trycka på dess strömbrytare eller på pausknappen  på fjärrkontrollen för att inaktivera den.

Väcka: Efter att huvudenheten har varit inaktiv i mer än tio minuter aktiveras viloläget (huvudenhetens indikator släcks). Tryck på strömbrytaren på huvudenheten för att väcka den eller på strömknappen på fjärrkontrollen för att starta om huvudenheten.

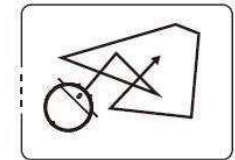
Stänga av: Tryck på och hålla strömbrytaren nedtryckt på huvudenheten medan huvudenheten är inaktiverad. När huvudenhetens indikator släcks har enheten stängts av.

* När huvudenheten har slutfört sina funktioner bör du inte stänga av den. Håll huvudenheten i laddningsstatus vilket låter den kan fungera bättre vid nästa användning.

Rengöringslägen

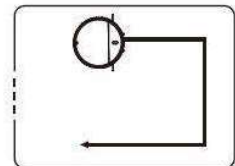
1. Automatisk rengöring

Roboten utför slumpmässig rengöring i 90 minuter och återgår automatiskt till laddningsdockan för laddning när den är slutförd.



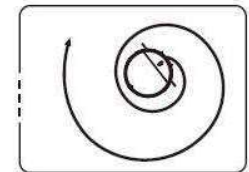
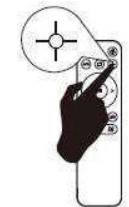
2. Kantrengöring

Roboten utför kantrengöring med ett avstånd som är kortare än 2 cm till väggen.



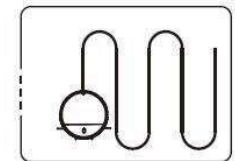
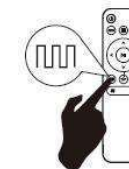
3. Punktvis rengöring

Roboten börjar rengöra i en utåtgående spiralformad rörelse och rör sig sedan i en inåtgående spiralformad rörelse efter att ha nått den maximala radien på 0,6 meter. Roboten avslutar rengöringen efter att ha återvänt till startpunkten.



4. Sicksack-rengöring

I läget sicksack-rengöring är det längsta rengöringsavståndet 5 meter i en rak linje.



Produktanvändning – Wi-Fi-anslutning

1. Ladda ned app/registrera dig

Skanna QR-koden här eller sök efter "Tuya Smart" i din appbutik och ladda ned den. Följ bruksanvisningen för appen för att registrera ett konto.

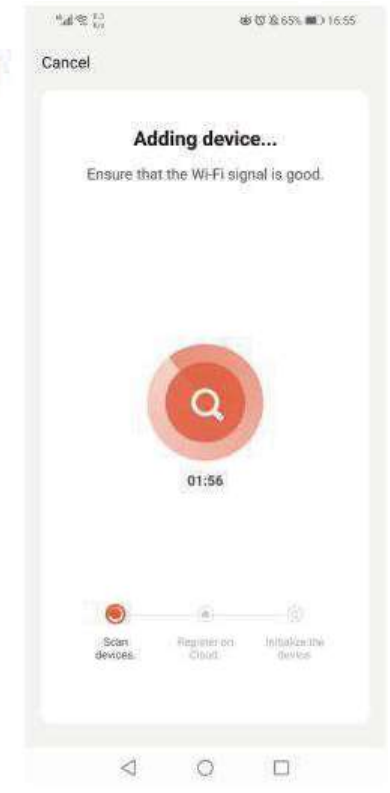
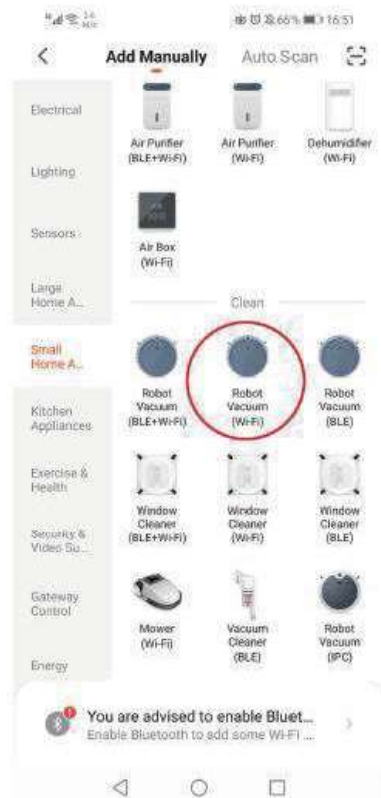


2. Wi-Fi-anslutning

Det finns två lägen för Wi-Fi-anslutningen: **EZ-läge** och **AP-läge**.

(1) EZ-läget:

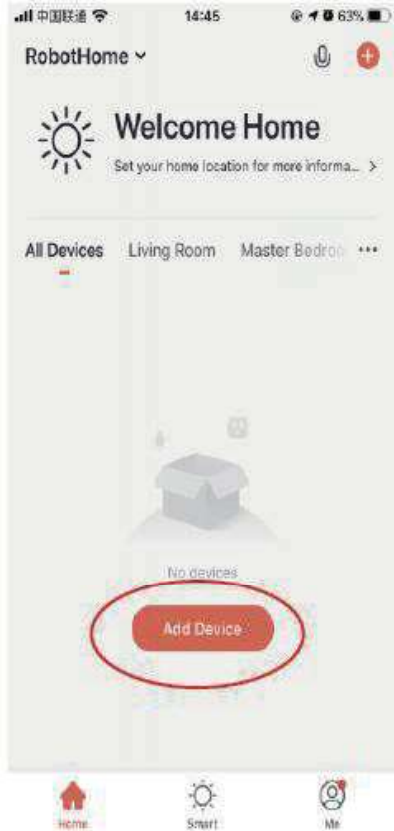
1. Slå på roboten. Tryck på och sedan håll laddningsknappen nedtryckt i tre sekunder för att aktivera EZ-läget. Ett pip ljud hörs. Strömindikator lyser gult och blinkar.



2. Logga in på Tuya-appen och klicka på "Lägg till enhet".
3. Välj "Mindre hushållsapparater" och välj sedan "Wi-Fi-robotdammsugare".
4. Välj ett 2,4 GHz Wi-Fi-nätverk och ange Wi-Fi-namnet och lösenordet och klicka sedan på "Nästa".
5. Välj EZ-läge, klicka på "Bekräfta att indikatorn blinkar snabbt" och "Nästa" för att vänta på anslutningsresultatet.

(2) AP-läget:

1. Slå på roboten. Tryck på och sedan håll laddningsknappen nedtryckt i sex sekunder för att aktivera AP-läget. Två pip ljud hörs. Strömindikator lyser gult och blinkar.



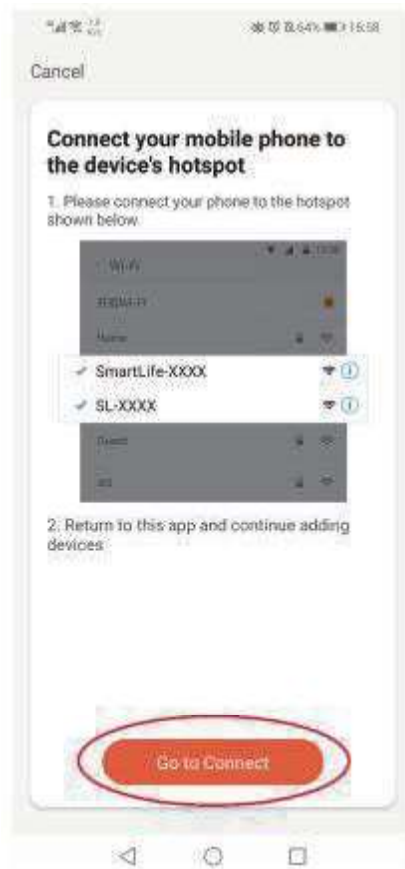
2. Logga in på Tuya-appen och klicka på "Lägg till enhet".

3. Välj "Mindre hushållsapparater" och välj sedan "Wi-Fi-robotdammsugare".

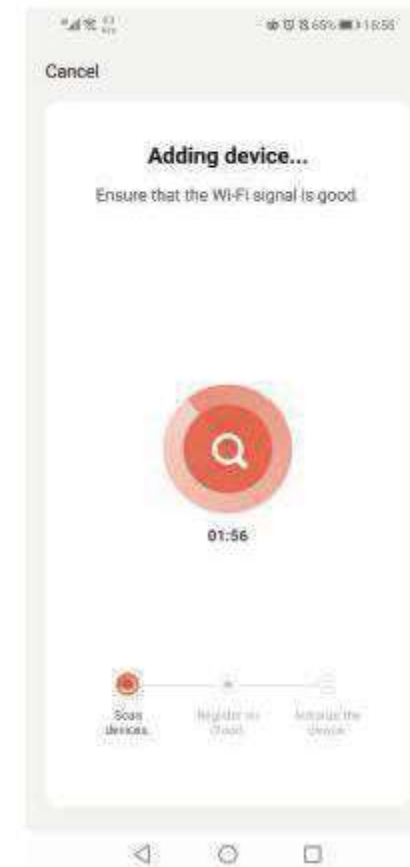
4. Välj ett 2,4 GHz Wi-Fi-nätverk och ange Wi-Fi-namnet och lösenordet och klicka sedan på "Nästa".



5. Välj AP-läget och klicka på "Bekräfta att indikatorn blinkar långsamt" och "nästa".



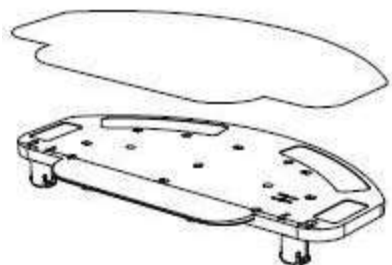
6. Anslut sedan till den Wi-Fi-hotspot som börjar med "SmartLife XXX".



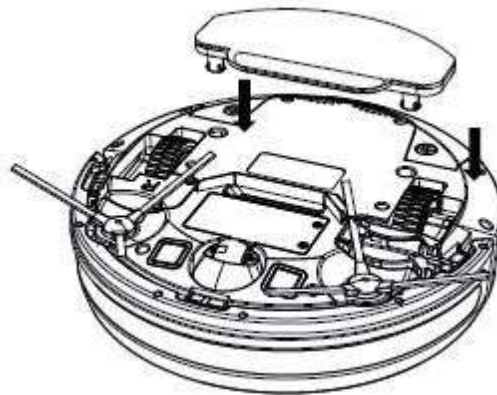
7. Efter att ha anslutit till en Wi-Fi-hotspot kan du återgå till gränssnittet i Tuya-appen och vänta på att roboten ansluts.

Produktanvändning – montera mopphållaren

A. Montera moppsduken på mopphållaren.



B. Montera mopphållaren på roboten.

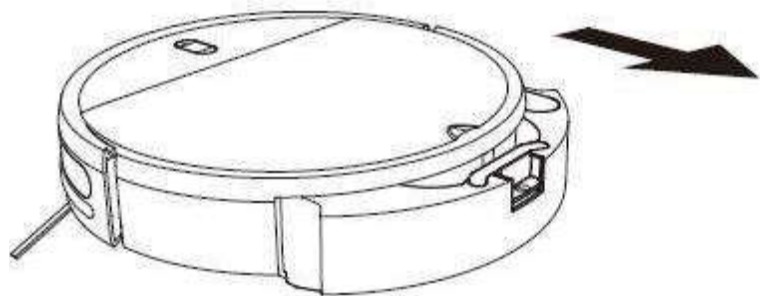


Produktanvändning – vattentank

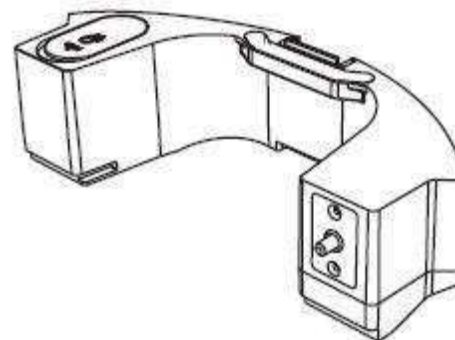
* Använd inte moppfunktionen på en matta.

* Rengör vattentanken och plocka isär moppsduken direkt efter att mopningen är slutförd.

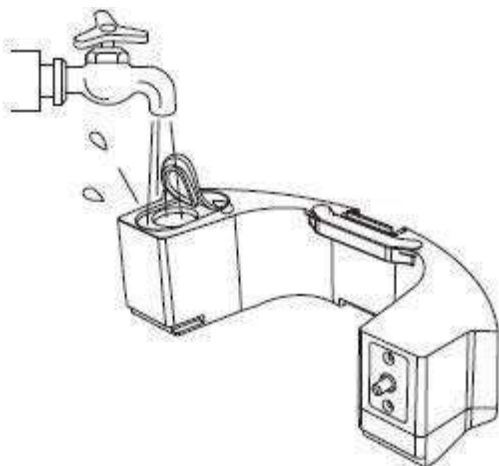
A. Ta ut vattentanken.



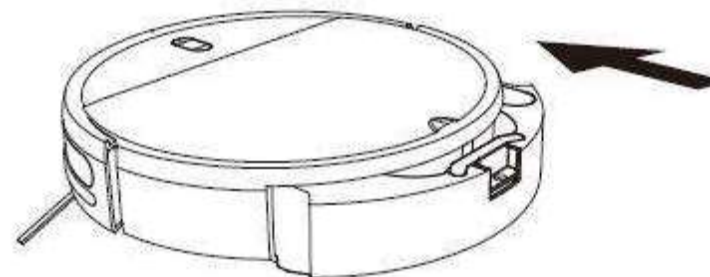
C. Platta till gummipluggen



B. Öppna locket med kiselgel och tillsätt vatten.

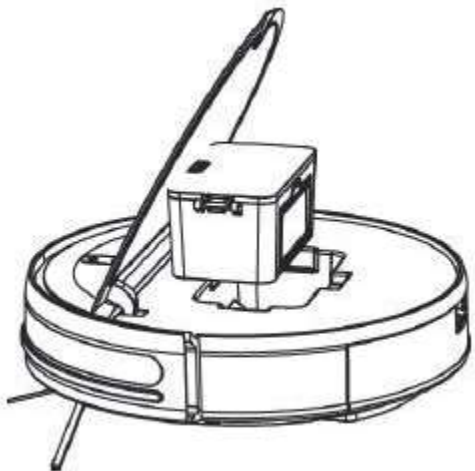


D. Montera tillbaka vattentanken på roboten.



Underhåll av delar – dammbehållare

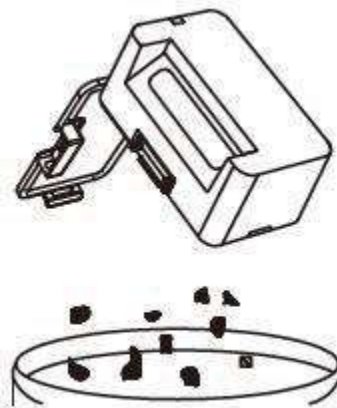
A. Tryck på knappen på dammbehållaren för att ta bort den.



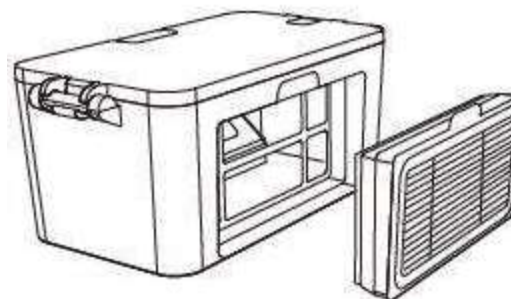
B. Öppna sidokåpan på dammbehållaren.



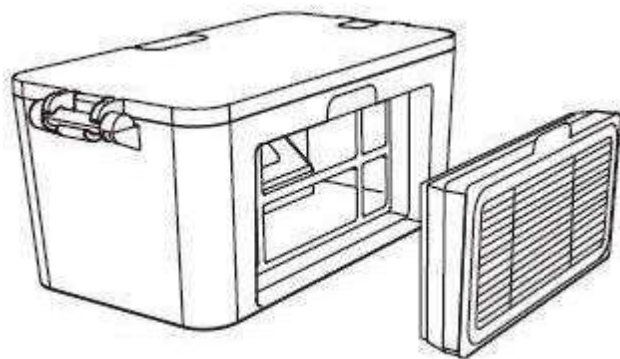
C. Töm skräpet.



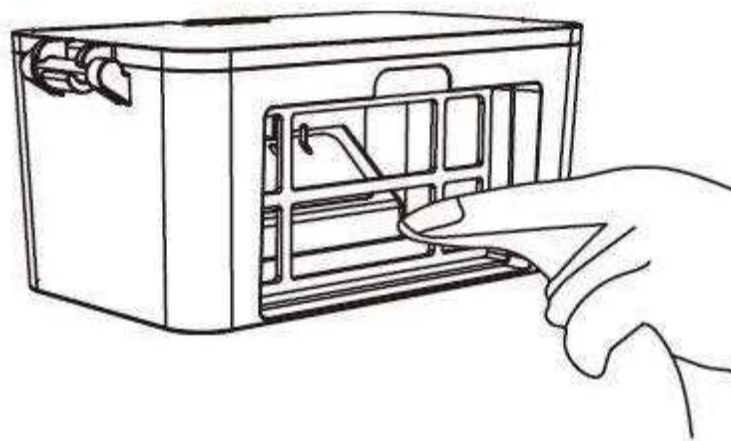
D. Ta ut HEPA-filtret.



E. Skaka HEPA-filtret för att ta bort damm.



G. Rengör dammbehållaren med en trasa.

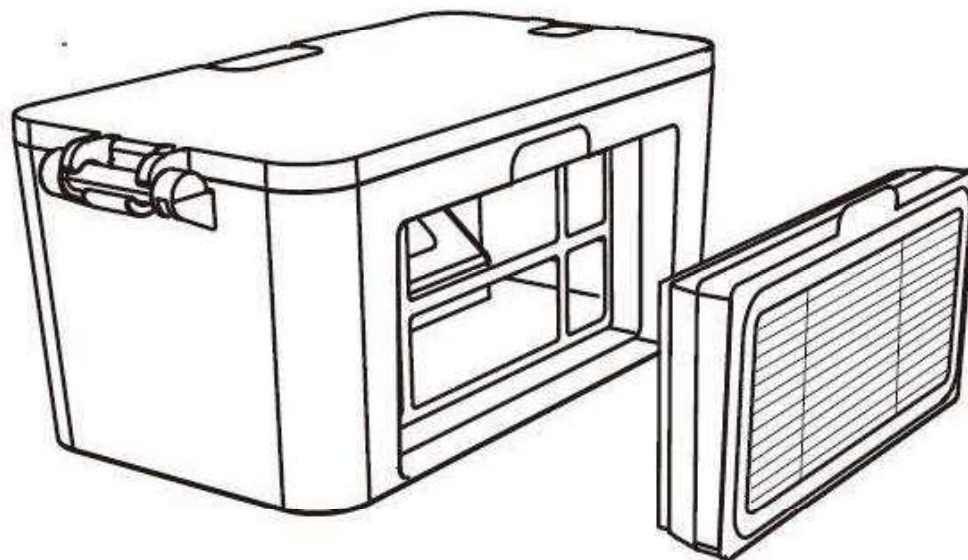
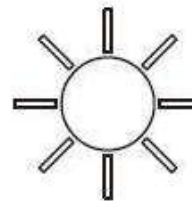


F. Tvätta HEPA-filtret.



H. Torka dammbehållaren och filtret för att säkerställa en god livslängd.

Obs! Det rekommenderas att du tvättar HEPA-filtret var 15:e till 30:e dag. Den maximala livslängden för HEPA-filtret är tre månader.



I. Sätt tillbaka HEPA-filtret i dammbehållaren.

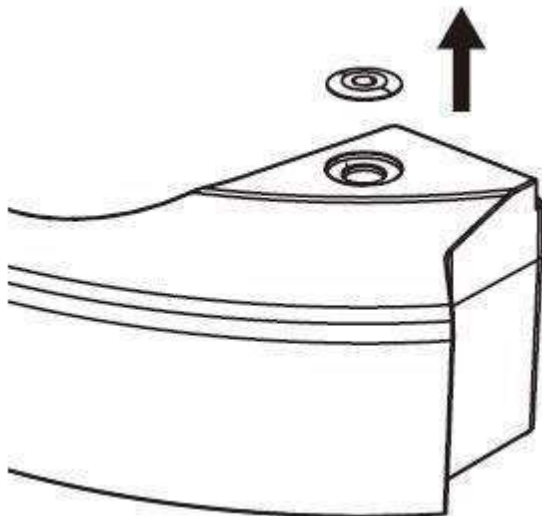
Obs! 1. S till att HEPA-filtret är helt torrt innan det monteras tillbaka.

2. Utsätt inte HEPA-filtret för direkt solljus.

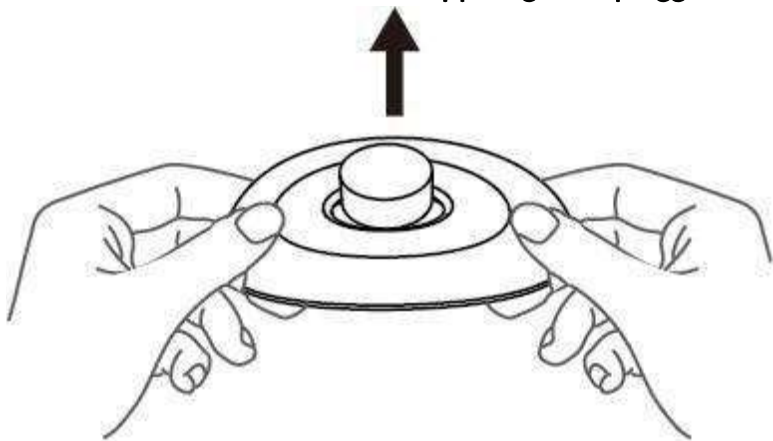
J. Stäng locket på dammbehållaren och montera tillbaka den på huvudenheten.

Underhåll av delar – bomullsfiler

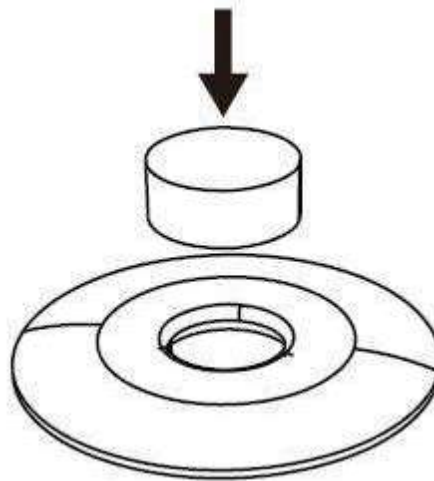
A. Ta ut gummipluggen för utloppet.



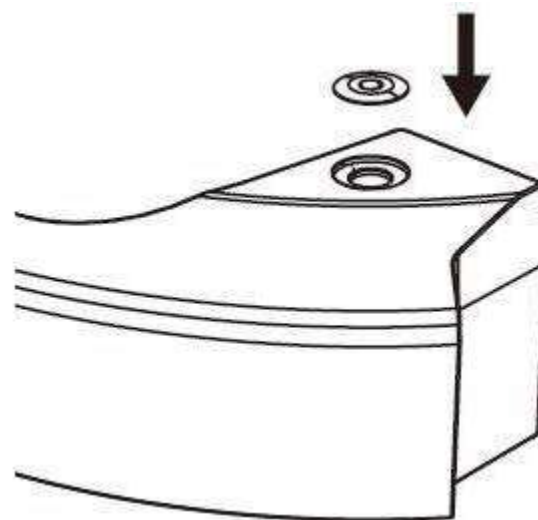
B. Ta bort bomullsfiltret från utloppets gummiplugg.



C. Byt ut mot ett nytt bomullsfiler.



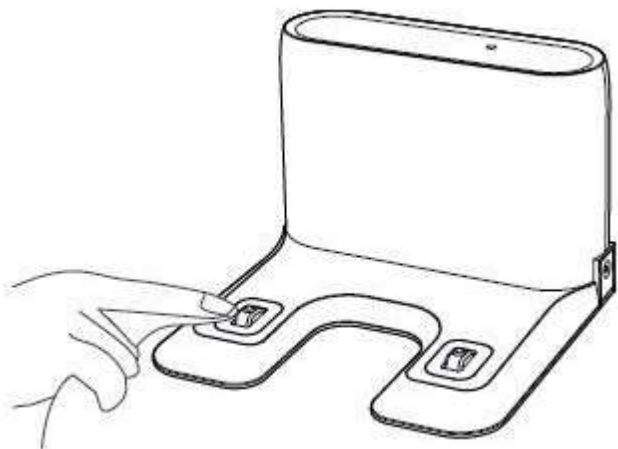
D. Montera utloppets gummiplugg.



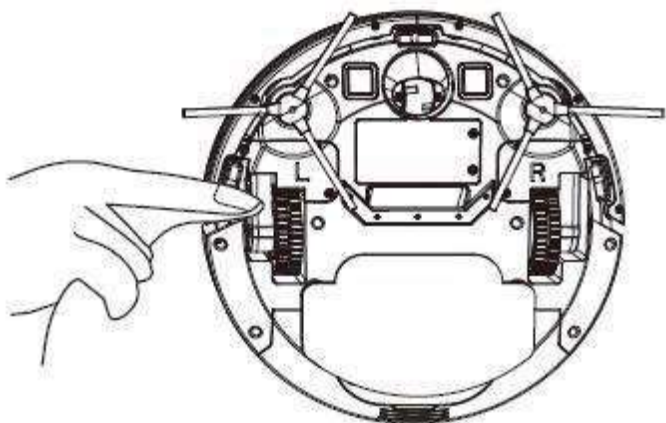
Underhåll av delar – laddningselektrod, nedre visuell sensor, drivande hjul och universalhjul

Obs! Laddningselektroden, den nedre visuella sensorn och stötfångaren innehåller känsliga elektroniska komponenter. Använd en torr trasa för att rengöra delarna. Använd inte en våt trasa då vatten kan tränga in i delarna och orsakar skada.

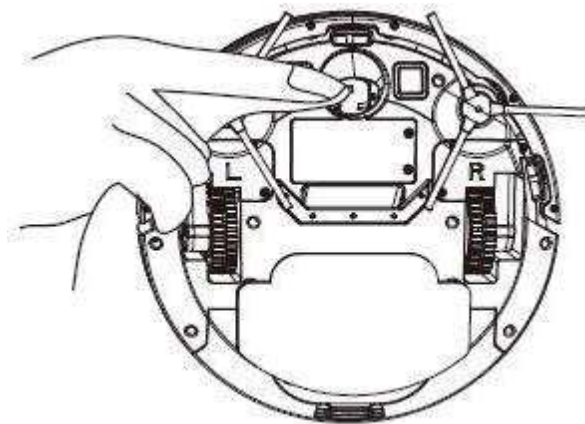
Rengöra laddningselektroden



Rengöra den nedre visuella sensorn



Rengöra det drivande hjulet och universalhjulet



- * Om du inte använder produkten under en längre tid ska du ladda den helt och sedan stänga den innan förvaring. Ladda produkten var tredje månad för att undvika för stor urladdning av batteriet.
- * Om batteriet laddas ur för mycket eller inte används under en längre tidsperiod kan det hända att produkten sedan inte kan laddas. Kontakta företagets kundservicepersonal för underhåll. Montera inte isär produkten.

Ljusindikering

Roboten har två indikatorlampor. Den övre är för strömindikering och den nedre för laddningsindikering. Indikatorerna har tre färger: röd, grön och gul. Indikatorstatusen inkluderar indikatorer släckta, lyser med fast sken, blinkar snabbt och blinkar långsamt.

Objekt	Enhetsstatus	Belysningsstatus			
		Strömbrytare		Laddar	
		Färg	Status	Färg	Status
1	Ström på	Grön	Lyser fast		Av
2	Ström av		Av		Av
3	Rengöring	Grön	Av		Av
4	Laddar	Grön	Lyser fast	Gul	Lyser fast
5	Låg batteriladdning	Grön	Lyser fast	Röd	Lyser fast
6	Under laddning	Grön	Lyser fast	Grön	Blinkar långsamt
7	Laddning slutförd	Grön	Lyser fast	Grön	Lyser fast
8	WI-FI AP	Grön	Blinkar snabbt	Grön	Blinkar snabbt
9	WI-FI ansluten	Grön	Lyser fast		Av
10	Varning	Röd	Blinkar snabbt		Av
11	standby-läge	Grön	Lyser fast		Av
12	Viloläge		Av		Av
13	Låg batterinivå	Röd	Blinkar snabbt		Av
14	Inte kalibrerad	Röd	Blinkar snabbt	Röd	Blinkar snabbt
15	Kalibrerad	Grön	Lyser fast		Av

Produktspecifikationer

Kategori	Objekt	Specifikationer
Struktur	Diameter	300 mm
	Längd	74 mm
Batteri	Nettovikt	2,5 kg
	Batterikapacitet	14,4 V
	Batteri	2500 mAh uppladdningsbart litiumbatteri
Prestanda	Dammbehållarens kapacitet	200 ml
	Typer av laddning	Automatisk och manuell laddning
	Rengöringslägen	Automatisk rengöring, punktviss rengöring och kantrengöring
	Laddningstid	Cirka 300 minuter
Huvudenhet	Rengöringstid	Cirka 100 minuter
	Märkeffekt (W)	28
	Driftspänning (V)	14,4

* Då produkten ständigt förbättras är produktspecifikationerna föremål för den faktiska produkten. Vårt företag förbehåller sig rätten att uppdatera produkten.

Observera - Alla produkter är föremål för ändringar utan föregående meddelande. Vi reserverar oss för eventuella fel och utelämnanden i handboken.

ALLA RÄTTIGHETER RESERVERADE, UPPHOVSRÄTT DENVER A/S



denver.eu



Elektrisk och elektronisk utrustning samt tillhörande batterier innehåller material, komponenter och ämnen som kan vara skadliga för hälsan och miljön om avfallet (kasserad elektrisk och elektronisk utrustning och batterier) inte hanteras korrekt.

Elektrisk och elektronisk utrustning samt batterier är märkta med en symbol i form av en överstruken soptunna såsom syns ovan. Denna symbol visar att elektrisk och elektronisk utrustning samt batterier inte bör slängas tillsammans med annat hushållsavfall. De ska istället slängas separat.

Som slutanvändare är det viktigt att du lämnar in dina använda batterier på en för ändamålet avsedd anläggning. På det viset säkerställer du att batterierna återvinns lagenligt och att de inte skadar miljön.

Alla kommuner har etablerat insamlingsställen där elektrisk och elektronisk utrustning samt batterier antingen kan lämnas in kostnadsfritt i återvinningsstationer eller hämtas från hushållen. Vidare information finns att tillgå hos din kommuns tekniska förvaltning.

Härmed försäkrar, Denver A/S att denna typ av radioutrustning RVC-110 överensstämmer med direktiv 2014/53/EU. Den fullständiga texten till EU-försäkran om överensstämmelse finns på följande webbadress: denver.eu och klicka sedan på sök IKON på toppen av webbplatsen. Ange modellnumret: RVC-110. Öppna produktsidan och Radioutrustningsdirektivet finns under nedladdningar/andra nedladdningar.

Driftfrekvensområde: 2400MHz-2483.5MHz

Max. uteffekt: 19dBm

DENVER A/S

Omega 5A, Soefte

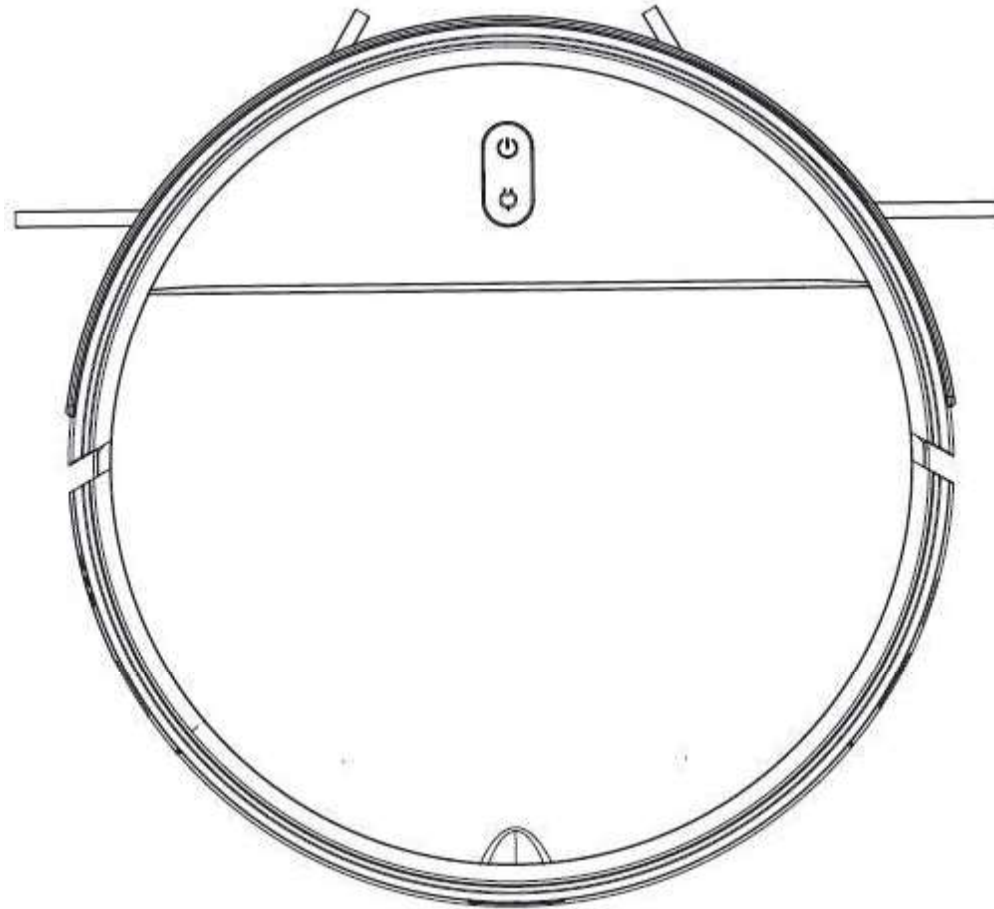
DK-8382 Hinnerup

Danmark

www.facebook.com/denver.eu

Robotti-imurin käyttöopas

Malli: RVC-110



www.denver.eu

facebook.com/Denver.eu

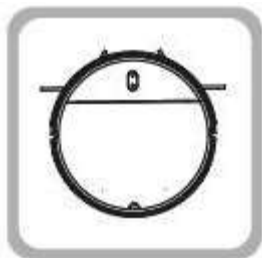
Turvallisuusohjeet

Lue turvallisuusohjeet huolellisesti ennen tuotteen ensimmäistä käyttökertaa ja säilytä ohjeet myöhempiä tarpeita varten.

1. Pidä tuotteet poissa lasten ja lemmikkieläinten ulottuvilta, jotta vältät niiden pureskelun ja nielemisen.
2. Varoitus: Tämä tuote sisältää litiumioniakun.
3. Älä koskaan avaa tuotetta. Vain ammattitaitoiset henkilöt saavat purkaa tuotteen. Emme suosittele käyttäjille huoltojen tai korjausten tekemistä
4. Lataa vain mukana tulevalla laturilla. Älä käytä muita kuin alkuperäisiä lisävarusteita tuotteen kanssa, koska muutoin tuote voi toimia epänormaalisti.
5. Älä koske liitännöihin tai rungon osiin, kun tuote on puhdistustilassa.
6. Älä istu tuotteen päälle
7. Ennen kuin käytät tätä tuotetta, poista kaikki arvokkaat esineet, kuten lamput, lasiesineet, verhot ja muut esteet, jotka voivat sotkeutua harjoihin tai ilman imukanavaan.
8. Älä taivuttele johtoja tai aseta raskaita esineitä koneen päälle
9. Tämä tuote on kotitaloustuote. Tuote on tarkoitettu käytettäväksi sisätiloissa ja kuivissa olosuhteissa. Älä käytä sitä ulkona.
10. Älä käytä tätä tuotetta kosteissa ympäristöissä, kuten kylpyhuoneessa
11. Onnettomuuksien välttämiseksi ilmoita muille perheenjäsenille, kun tuote puhdistaa.
12. Tyhjennä pölysäiliö ennen käyttöä. Täysi pölysäiliö vaikuttaa puhdistustehokkuuteen ja heikentää imutehoa
13. Tuotteen käyttö- ja säilytyslämpötila on 0–40 celsiusastetta. Tämän lämpötila-alueen alittaminen tai ylittäminen voi vaikuttaa toimintaan.
14. Käytä vain toimittajan toimittamaa alkuperäistä ladattavaa akkua ja latausalustaa. Muut kuin ladattavat paristot ovat ehdottomasti kiellettyjä, katso paristotiedot ”tuoteparametreista”.
15. Älä käytä tuotetta ympäristöissä, joissa on avotulta tai herkkiä tuotteita
16. Tuotteita ei saa käyttää erittäin kuumissa (yli 40 astetta) tai erittäin kylmissä (alle 0 astetta) lämpötiloissa. Takuu ei kata tämän aiheuttamia vahinkoja.
17. Älä koske tuotteisiin, kun ne on kytketty päälle tai puhdistuksen aikana. Pidä hiukset, vaatteet, sormet ja muut ruumiinosat kaukana tuotteiden aukosta
18. Tuote ei pysty poistamaan kivi- tai paperijätettä, koska se voi tukkia tuotteen
19. Tuotteeseen ei saa imeä palavia esineitä, kuten savukkeita, tulitikkuja, tuhkaa jne., jotka voivat aiheuttaa tulipalon
20. Varmista, että pidät tuotteen kaukana syttyivistä aineista, kuten tulostimen ja kopiokoneen väriaineista ja muista palavista nesteistä
21. Älä aseta esineitä imuaukkoon. Älä käytä tuotetta, jos imuaukko on tukossa. Puhdista imuaukon kohdalta pöly, pumpulivilla jne., jotta ilmankierto aukossa olisi sujuvaa.
22. Käytä virtajohtoa varovasti vaurioiden välttämiseksi. Älä vedä tai käytä virtajohtoa kahvana, kun siirrät latausalustaa.
23. Älä aseta virtajohtoa oviaukkoihin tai muihin paikkoihin, joissa se voi aiheuttaa vahinkoa. Varmista, että virtajohdon ja latausalustan ympärillä on vapaata tilaa.
24. Älä käytä vaurioitunutta latausalustaa tai virtajohtoa
25. Varoitus: Kaukosäätimessä on AAA-paristot. Käytä kaukosäätimessä vain AAA-paristoja.
26. Älä käytä sekaisin uusia ja vanhoja paristoja tai erityyppisiä paristoja. Poista paristot, kun et käytä tuotetta pitkään aikaan. Tarkista paristojen napaisuus (+/-), kun laitat ne tuotteeseen. Väärin asettaminen voi aiheuttaa räjähdyksen. Paristot eivät sisälly.

27. Virtalähteen sovitinta käytetään laitteen irti kytkemiseen, ja irtikytkemislaitteen tulee olla helposti käytettävissä. Varmista, että pistorasian ympärillä on vapaata tilaa helpon käytettävyyden takaamiseksi.

Tuotekokoonpano – pakkauksen sisältö



1x robotti-imuri



1x lataustelakka



2x akku



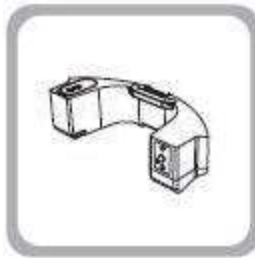
1x kauko-ohjain



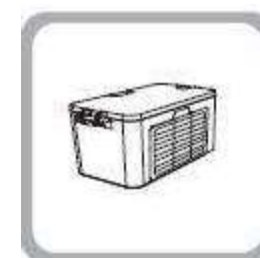
1x adapteri



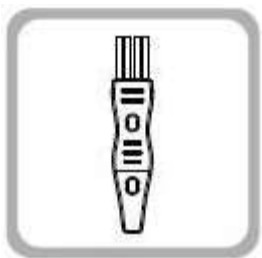
1x moppipidikkeen kokoonpano



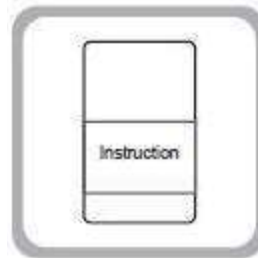
1x vesisäiliö



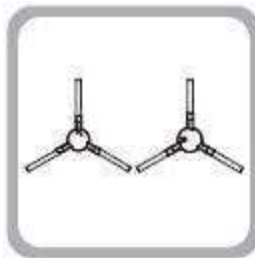
1x pölysäiliö



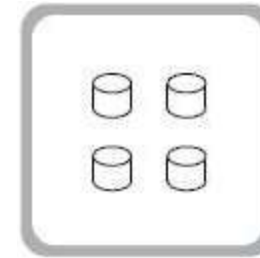
1x puhdistusharja



1x käyttöopas



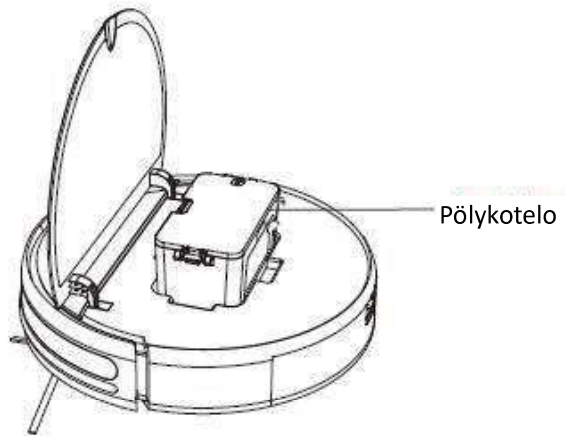
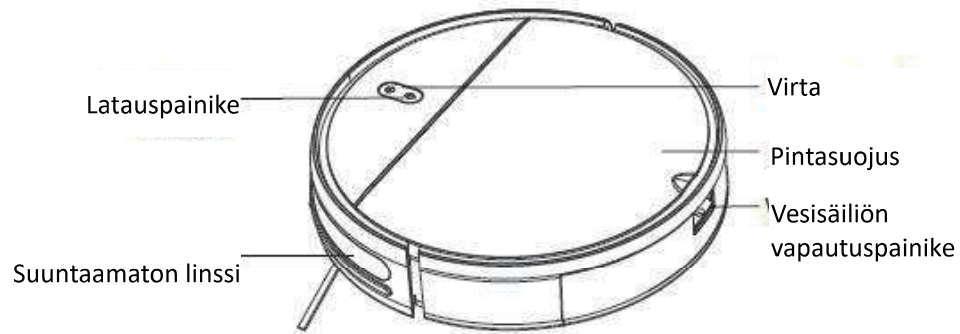
2x sivuharja



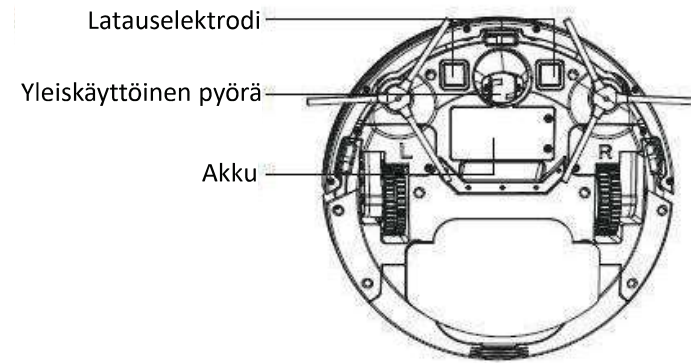
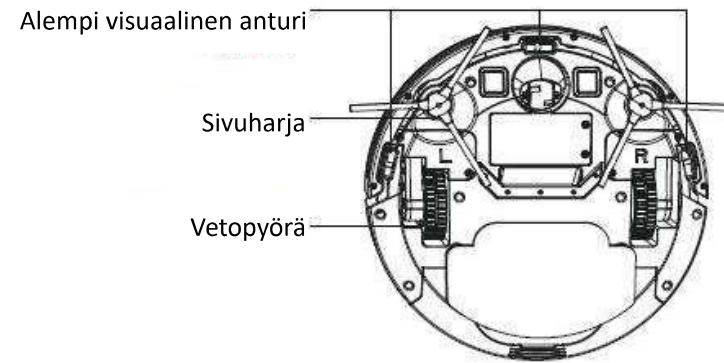
4x puuvillasuodatin

Tuotekokoonpano – osien kuvaus

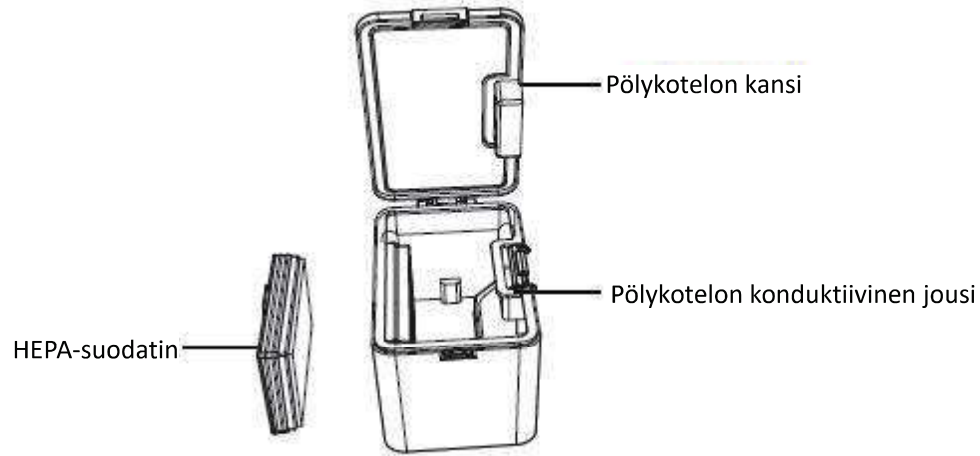
Pääyksikön etuosa



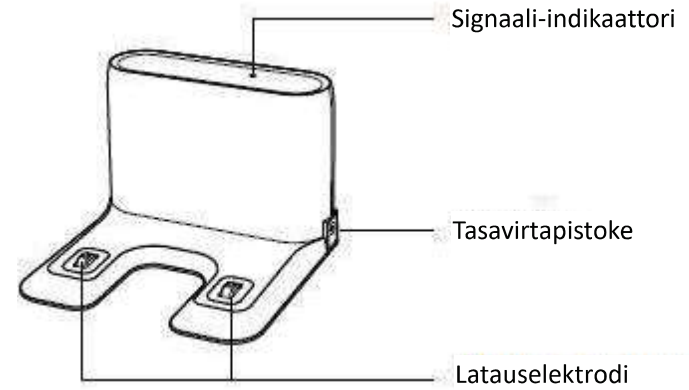
Pääyksikön takaosa



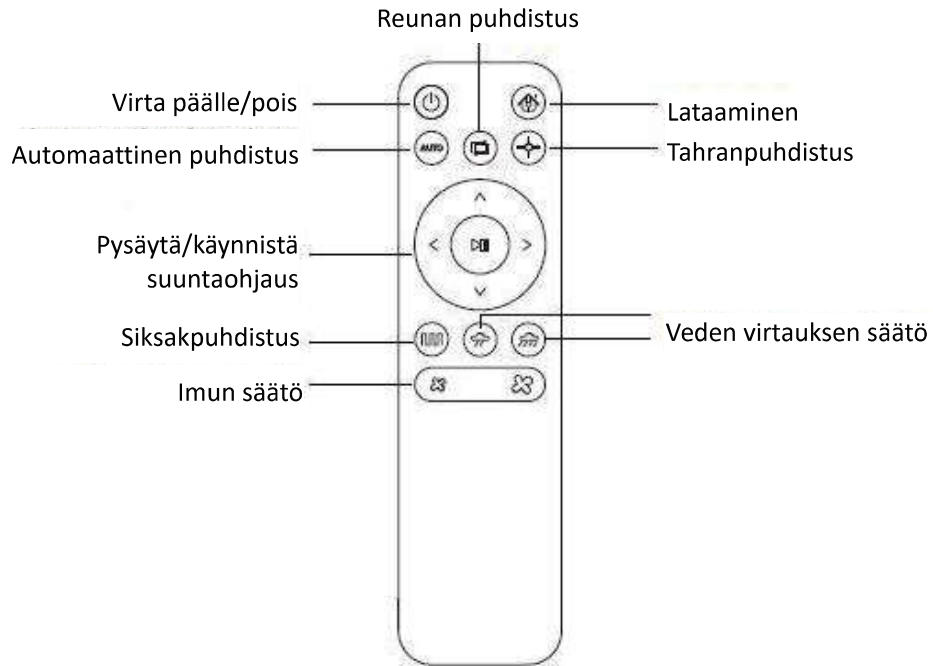
Pölykotelo



Lataustelakka



Kauko-ohjain

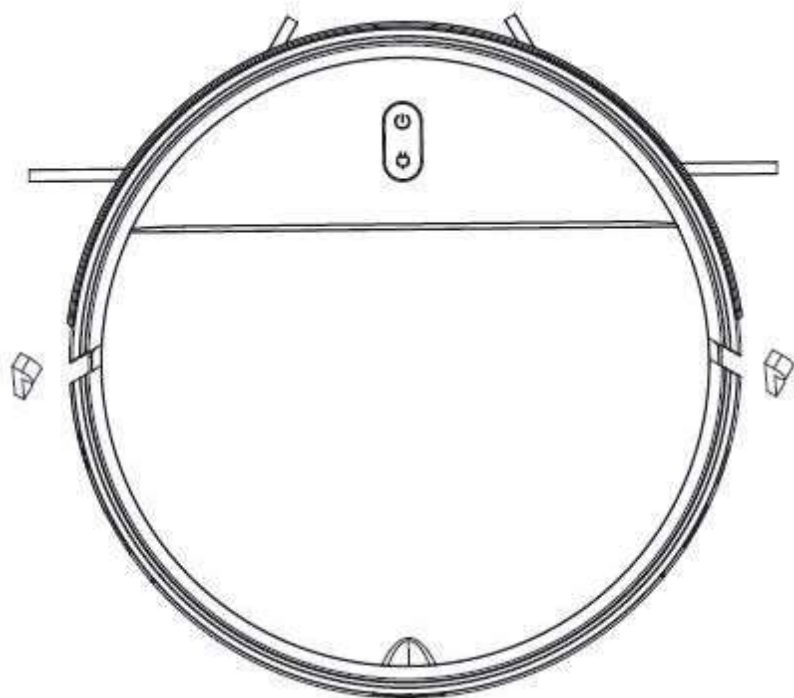


Valmistelut

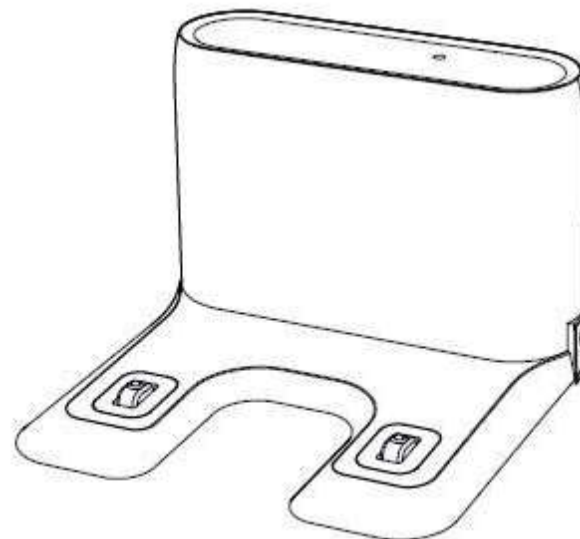
Suojanauhojen poistaminen

Ennen imurin käyttöä poista suojanauhat imurista.

Suojanauhojen poistaminen

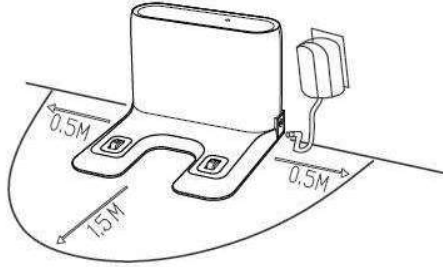


Suojakalvon poistaminen

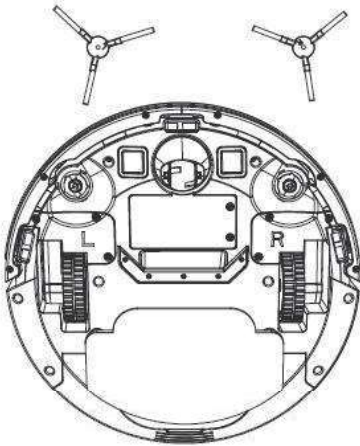


Tuotteen käyttö – robotti-imurin lataaminen

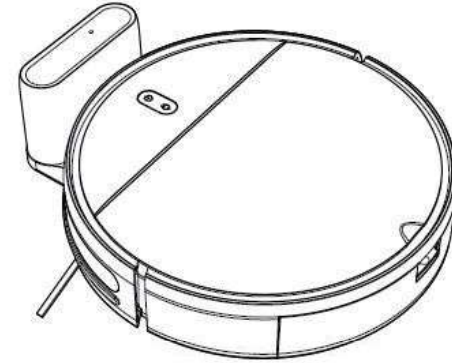
1. Aseta lataustelakka tasaiselle pinnalle seinää vasten. Älä aseta mitään esineitä 0,5 m lähemmäksi lataustelakan vasemmalle tai oikealle puolelle tai 1,5 m lähemmäksi lataustelakan eteen.



2. Kytke lataustelakka verkkovirtaan.
3. Asenna vasen ja oikea sivuharja.




4. Lataus: Aseta pääyksikkö lataustelakkaan lataamista varten. Latauksen aikana merkkivalo vilkkuu. Kun lataus on valmis, merkkivalo palaa tasaista valoa. Pääyksikön lataaminen täyteen kestää noin viisi tuntia.



Siivouksen aikana pääyksikkö tarkistaa virtansa tason automaattisesti.

Jos virtaa ei ole riittävästi, pääyksikkö aktivoi lataustelakkaan palaamistilan ja palaa automaattisesti lataustelakkaan lataamista varten.

Vaihtoehtoisesti, voit painaa painiketta  kauko-ohjaimessa käskemään pääyksikköä aktivoimaan lataustelakkaan palaamistilan.

Huomio:

1. Älä käytä lataustelakkaa heijastavissa ympäristöissä, kuten suoralle auringonvalolle altistuva ympäristö ja ympäristö, jossa on peilejä. Jos heijastavia esineitä on, peitä lataustelakka 7 cm korkeudelta alhaalta päin.
2. Pääyksikön normaalin toiminta-ajan varmistamiseksi lataa pääyksikkö täyteen ennen käyttöä. Latausaika on noin viisi tuntia.
3. Turvallisen lataamisen varmistamiseksi ja kostean liinan lattialle aiheuttamien vaurioiden välttämiseksi poista vesisäiliö ennen pääyksikön lataamista.

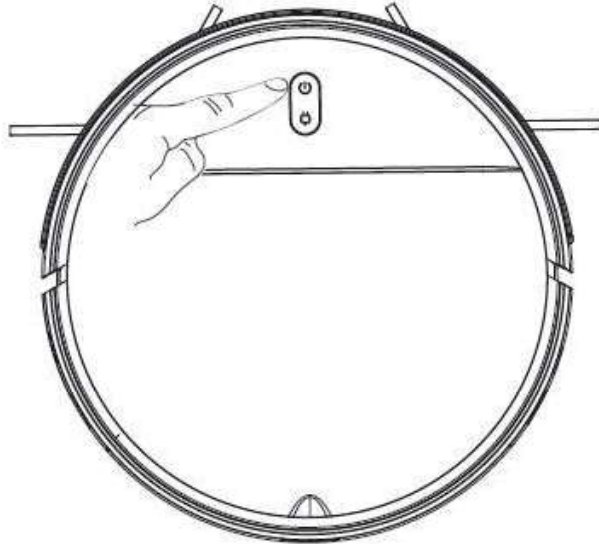
Tuotteen käyttö – siivouksen aloittaminen

Eri puhdistusvaatimuksia varten tämä tuote tarjoaa useita puhdistustiloja valittavaksesi. Voit käyttää eri puhdistustiloja pääyksikön tai kauko-ohjaimen kautta.

Robotti-imuria ei ole käyttämään voimaan ja ylittämään kynnyksiä ja kynnyksportaita.


Automaattinen puhdistus

Asetustapa: Sammutetussa tilassa paina ja pidä painettuna virtapainiketta. Kun pääyksikön merkkivalo palaa osoituksena siitä, että pääyksikön virta on päällä, paina virtapainiketta uudestaan automaattisen puhdistuksen ottamiseksi käyttöön.




Tahranpuhdistus

Soveltuva skenaario: Tämä puhdistustila sopii ympäristöön, jossa lika on keskittynyt. Pääyksikkö puhdistaa lattiaa spiraalimaisesti tietyllä alueella ja palaa aloituspisteeseen puhdistuksen jälkeen.

Asetustapa: Ota käyttöön kiinteän pisteen puhdistus painamalla painiketta  kauko-ohjaimessa.


Reunan puhdistus

Soveltuva skenaario: Tämä siivoustila sopii sisätilojen nurkkia varten. Pääyksikkö puhdistaa kiinteiden esineiden reunoja pitkin (esimerkiksi seinä) ja palaa lataustelakkaan puhdistuksen jälkeen.


Asetustapa: Ota käyttöön reunan puhdistus painamalla painiketta  kauko-ohjaimessa.

Manuaalinen hallinta

Soveltuva skenaario: Ohjaa puhdistusreittiä ja -aluetta käyttämällä kauko-ohjaimen suuntapainikkeita.

Asetustapa: Paina kauko-ohjaimen painiketta  ohjaamaan laitetta liikkumaan eteenpäin, taaksepäin tai kääntymään.

Tuotteen käyttö – tauko, herätys ja sammutus

Tauko: Kun pääyksikkö toimii, paina pääyksikön virtapainiketta tai kauko-ohjaimen taukopainiketta  keskeyttämään pääyksikön toiminta.

Herätys: Kun pääyksikkö on ollut keskeytettynä yli 10 minuutin ajan, pääyksikkö aktivoi lepotilan (pääyksikön merkkivalo sammuu). Herätä pääyksikkö painamalla pääyksikön virtapainiketta tai paina kauko-ohjaimen virtapainiketta käynnistämään pääyksikkö uudelleen.

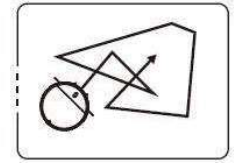
Sammutus: Kun pääyksikkö on keskeytettynä, paina pääyksikön virtapainiketta ja pidä sitä painettuna. Kun pääyksikön merkkivalo sammuu, tuotteen virta on pois päältä.

* Kun pääyksikkö saa toimintansa valmiiksi, suosittelemme, että et sammuta pääyksikköä. Pidä pääyksikkö lataustilassa, niin että se voi toimia paremmin seuraavalla käyttökerralla.

Puhdistustilat

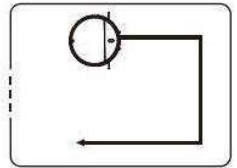
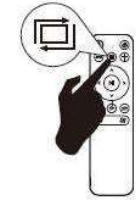
1. Automaattinen puhdistus

Robotti tekee satunnaista puhdistusta 90 minuutin ajan, ja kun siivous päättyy, palaa automaattisesti lataustelakkaan lataamista varten.



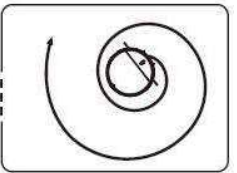
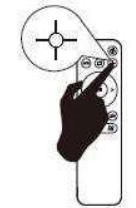
2. Reunan puhdistus

Robotti suorittaa reunojen siivouksen alle 2 cm etäisyydellä seinästä.



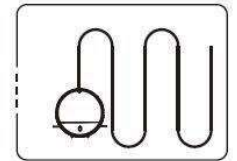
3. Tahranpuhdistus

Robotti aloittaa siivouksen ulospäin suuntautuvalla spiraaliliikkeellä, siirtyä sitten sisäänpäin suuntautuvaan spiraaliliikkeeseen, kun se on saavuttanut 0,6 metrin maksimisäteen. Robotti päättää siivouksen palattuaan aloituspisteeseen.



4. Siksakpuhdistus

Siksakpuhdistustilassa pisin siivousetäisyys on 5 metriä suorassa linjassa.



Tuotteen käyttö – Wi-Fi-yhteys

1. Lataa sovellus/rekisteröidy

Skannaa QR-koodi tästä tai tee haku ”Tuya Smart” APP storessa ja lataa sovellus. Noudata sovelluksen käyttöohjeita tilin rekisteröintiä varten.

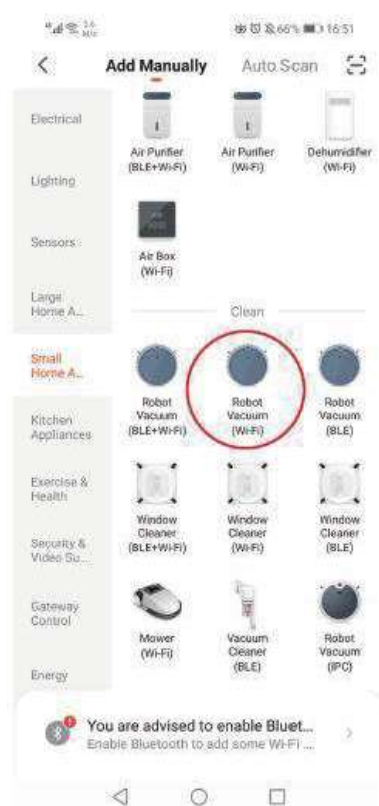
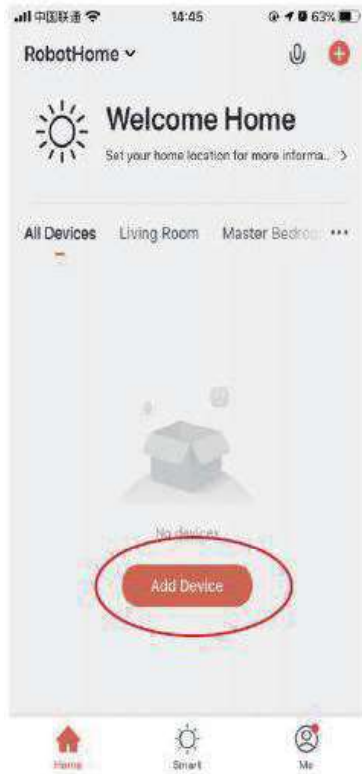


2. Wi-Fi-yhteys

Käytettävissä on kaksi Wi-Fi-yhteystilaa: **EZ-tila** ja **AP-tila**.

(1) EZ-tila:

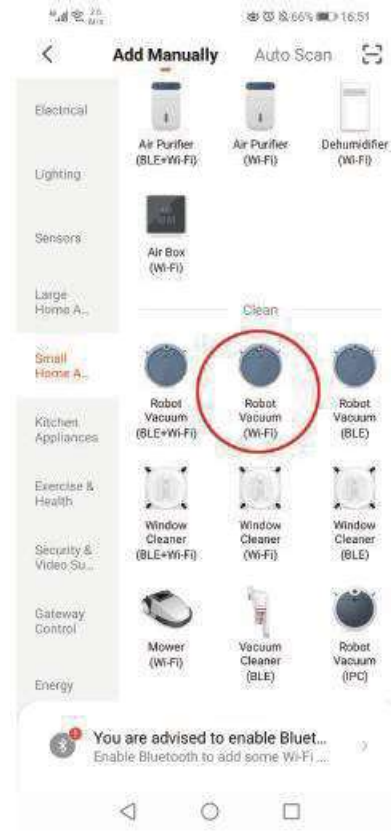
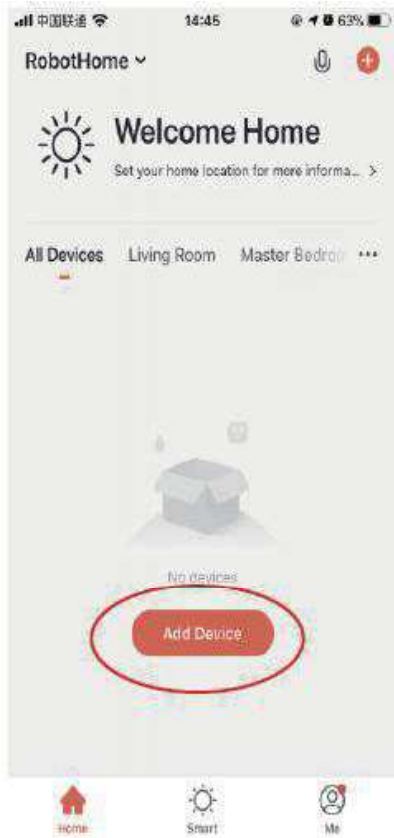
1. Kytke robotin virta päälle, paina latauspainiketta ja pidä sitä painettuna 3 sekunnin ajan EZ-tilaa siirtymistä varten, kuulet piippauksen. Virran merkkivalo muuttuu keltaiseksi ja vilkkuu.



2. Kirjautu sisään Tuya-sovellukseen ja napsauta "Add Device".
3. Valitse "Small Home Appliance" ja valitse sitten "Wi-Fi Robot Vacuum Cleaner".
4. Valitse 2,4 GHz Wi-Fi-verkko ja anna Wi-Fi-verkon nimi ja tunnussana, napsauta sitten "Next".
5. Valitse EZ-tila, napsauta "Confirm the indicator is blinking rapidly" ja "Next" odottaaksesi yhteyden tulosta.

(2) AP-tila:

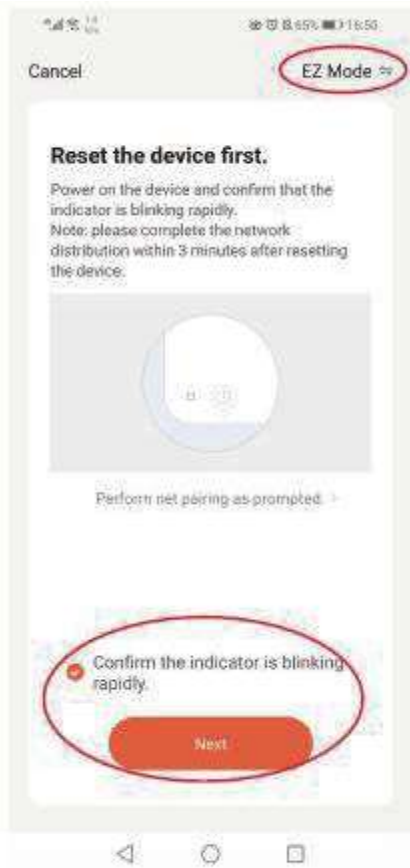
1. Kytke robotin virta päälle, paina latauspainiketta ja pidä sitä painettuna 6 sekunnin ajan AP-tilaa siirtymistä varten, kuulet kaksi piippausta. Virran merkkivalo muuttuu keltaiseksi ja vilkkuu.



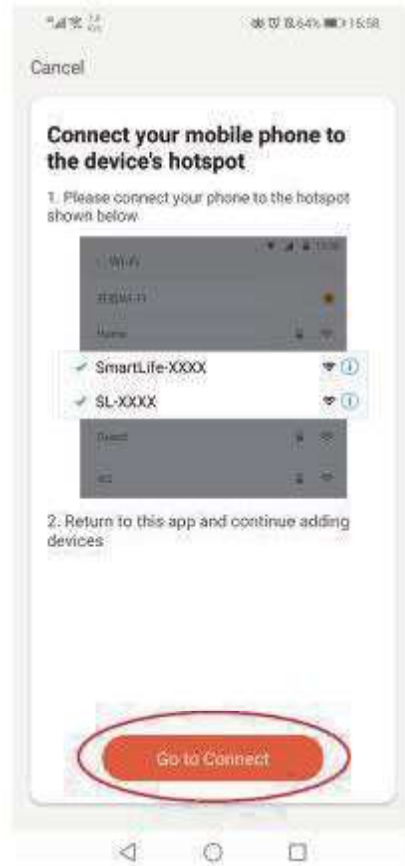
2. Kirjautu sisään Tuya-sovellukseen ja napsauta "Add Device".

3. Valitse "Small Home Appliance" ja valitse sitten "Wi-Fi Robot Vacuum Cleaner".

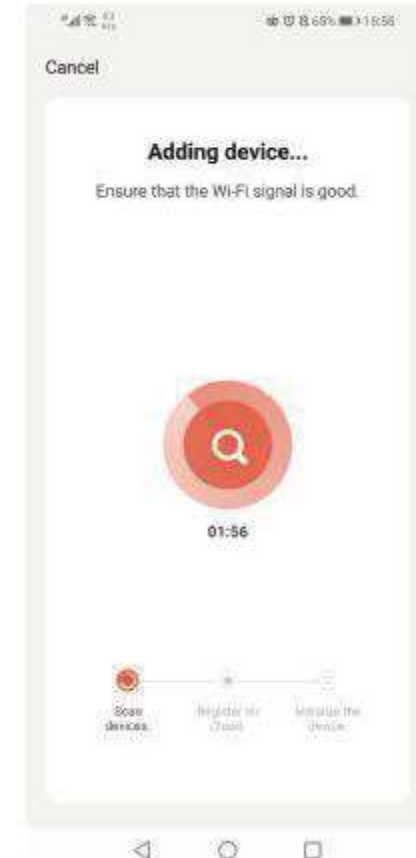
4. Valitse 2,4 GHz Wi-Fi-verkko ja anna Wi-Fi-verkon nimi ja tunnussana, napsauta sitten "Next".



5. Valitse AP-tila ja napsauta "Confirm the indicator is blinking slowly." ja sitten "Next".



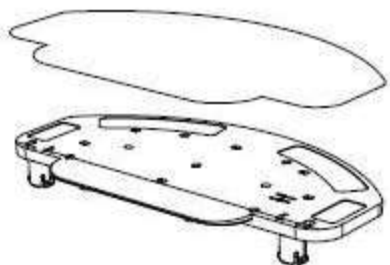
6. Siirry yhdistämään Wi-Fi-tukiasemalla, joka alkaa tekstillä "SmartLife XXX".



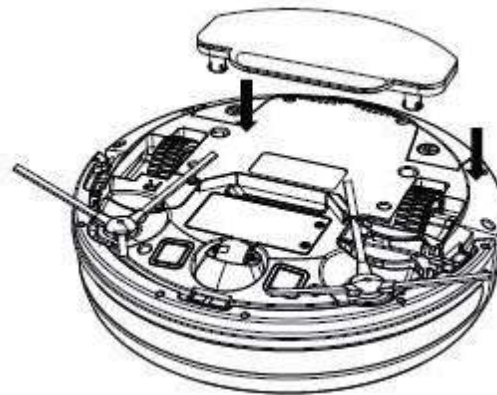
7. Kun yhteys Wi-Fi-tukiasemaan on muodostettu, palaa Tuya-sovelluksen käyttöliittymään ja odota, että robotti muodostaa yhteyden.

Tuotteen käyttö – moppidikkeen asentaminen

A. Asenna moppiliina moppidikkeeseen.



B. Asenna moppidike robottiin.

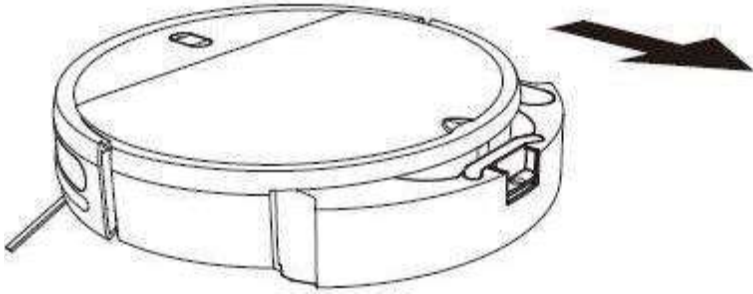


Tuotteen käyttö – vesisäiliö

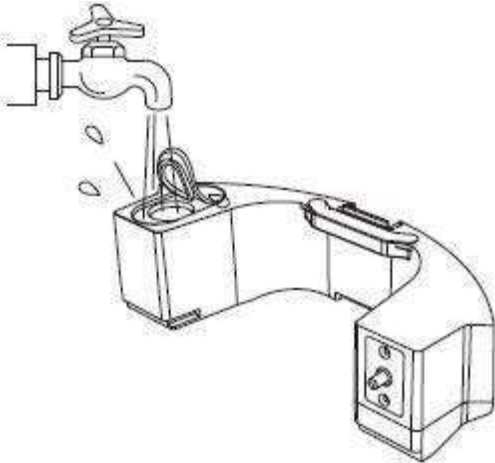
* Älä käytä moppitoimintoa matolla.

* Kun moppaus on valmis, puhdista vesisäiliö ja pura moppiliina ajoissa.

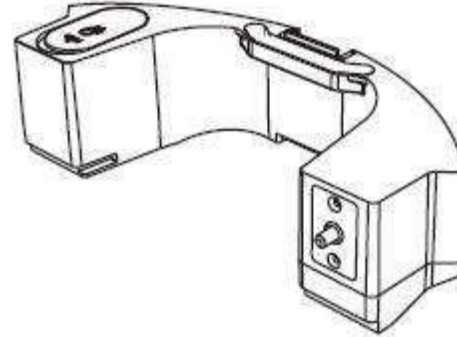
A. Ota vesisäiliö ulos.



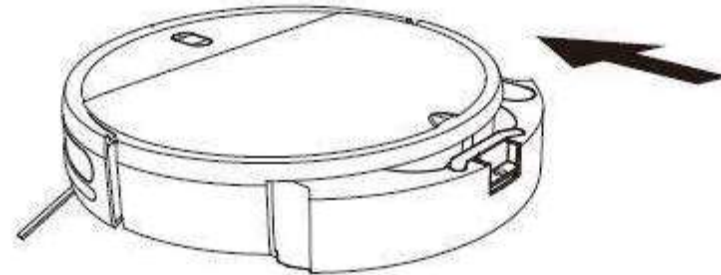
B. Avaa silikonigeelitulppa ja lisää vettä.



C. Litistä kumitulppa.

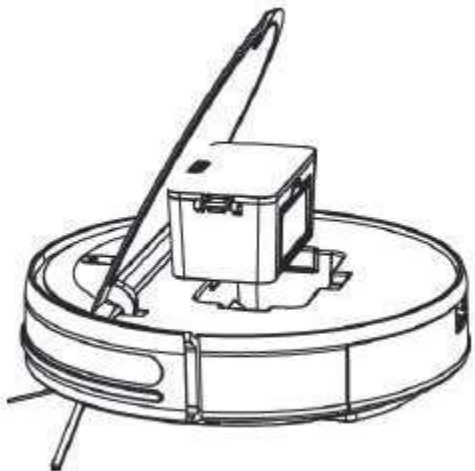


D. Asenna vesisäiliö robottiin.



Osien kunnossapito – pölykotelo

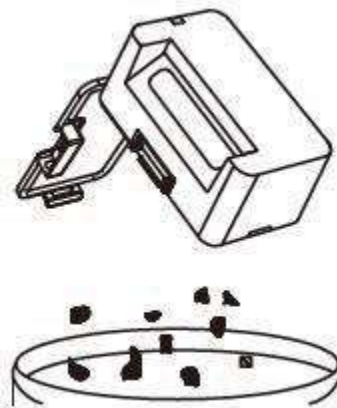
A. Paina pölykotelon painiketta pölykotelon irrottamiseksi.



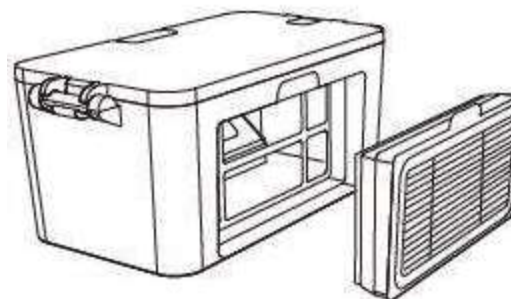
B. Avaa pölykotelon sivusuojus.



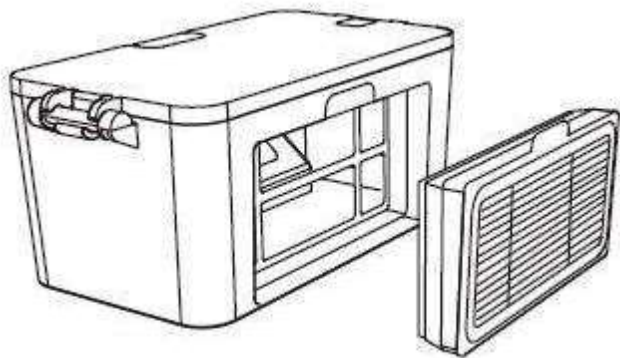
C. Tyhjennä roskat.



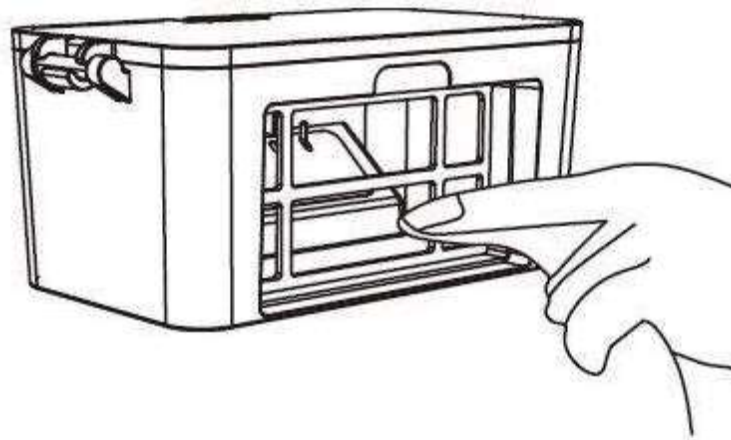
D. Ota HEPA-suodatin ulos.



E. Napauta HEPA-suodatinta pölyn poistamiseksi.



G. Puhdista pölykotelo liinalla.

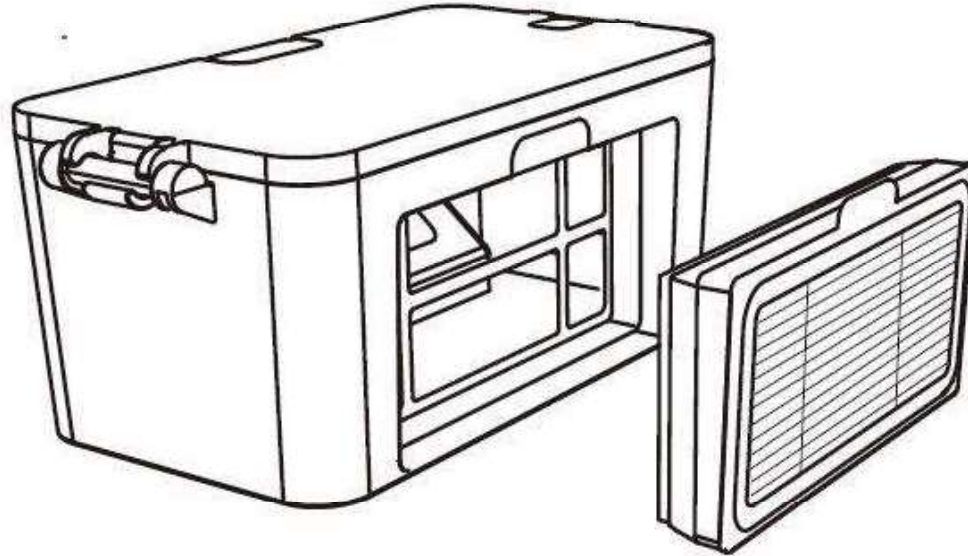
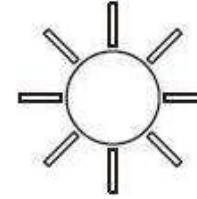


F. Pese HEPA-suodatin.



H. Kuivaa pölykotelo ja suodatinkomponentti niiden käyttöön varmistamiseksi.

Huomaa: On suositeltavaa pestä HEPA-suodatin 15–30 päivän välein. HEPA-suodattimen pisin käyttöikä on kolme kuukautta.



I. Aseta HEPA-suodatin takaisin pölykoteloon.

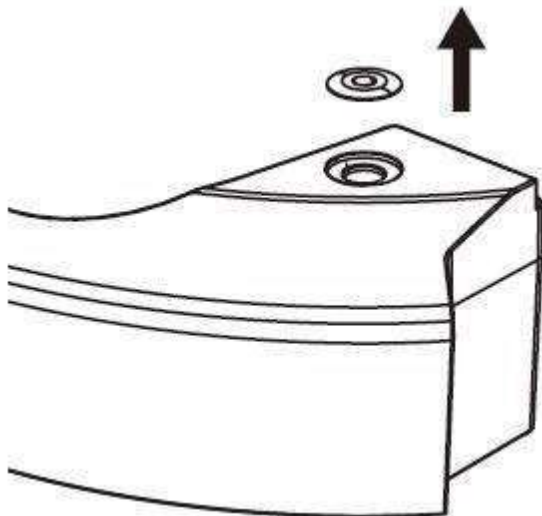
Huomaa: 1. Ennen HEPA-suodattimen asennusta varmista, että HEPA-suodatin on kuiva.

2. Älä altista HEPA-suodatinta auringonvalolle.

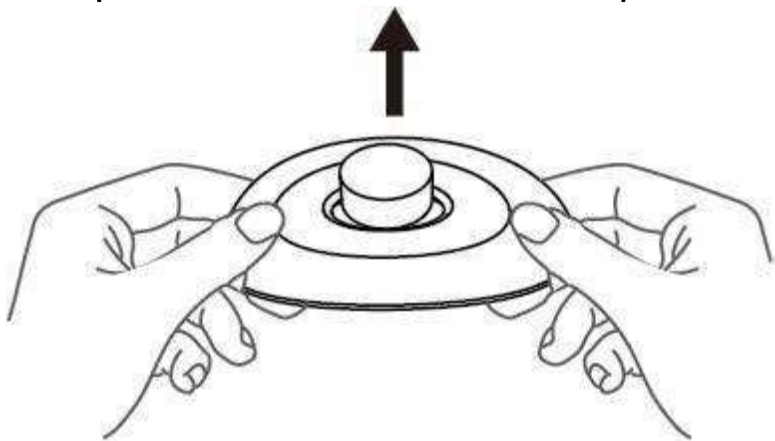
J. Sulje pölykotelon kansi ja asenna pölykotelo pääyksikköön.

Osien kunnossapito – puuvillasuodatin

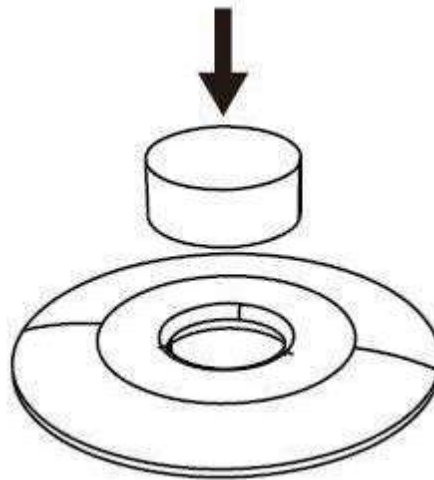
A. Ota pois ulostulon kumitulppa.



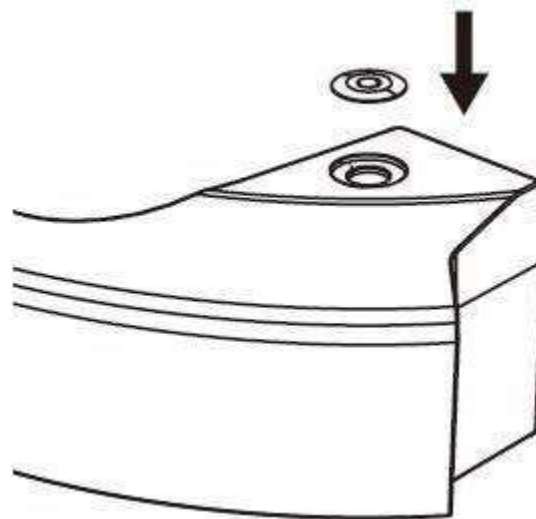
B. Ota puuvillasuodatin ulos ulostulon kumitulpasta.



C. Vaihda uusi puuvillasuodatin.



D. Asenna ulostulon kumitulppa.

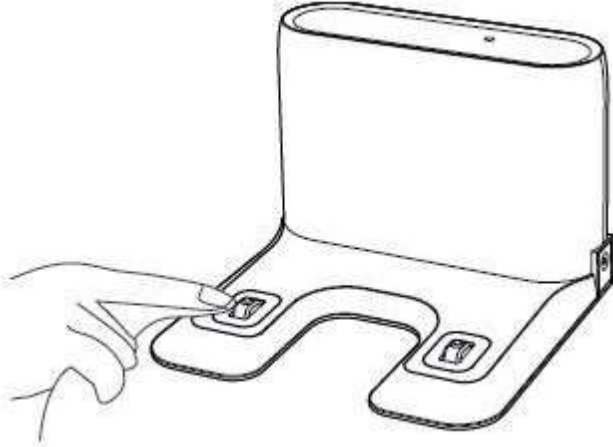


Osien kunnossapito – latauselektrodi, alempi visuaalinen anturi, vetopyörä ja yleiskäyttöinen pyörä

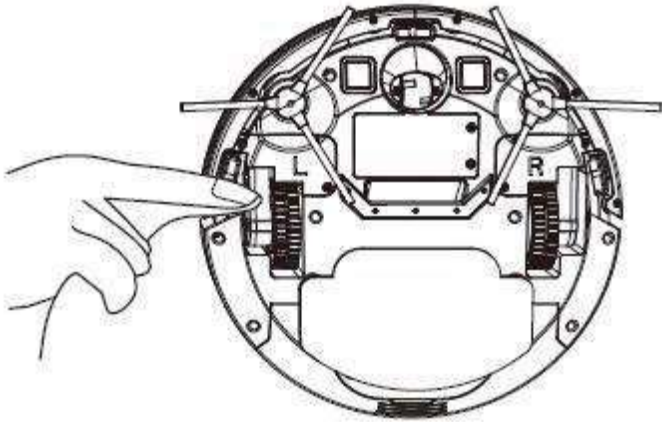
Huomaa: Latauselektrodi, alempi visuaalinen anturi ja puskuri sisältävät herkkiä elektroniikkaosia. Käytä näiden osien puhdistukseen kuivaa liinaa.

Älä käytä kosteaa liinaa, ettei vesi pääse osien sisälle aiheuttamaan vaurioita.

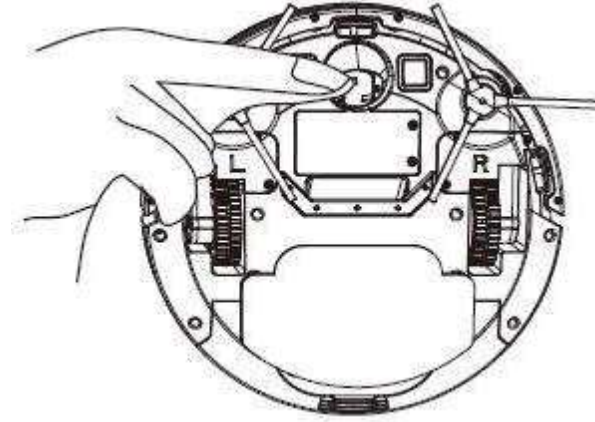
Latauselektrodin puhdistaminen



Alemman visuaalisen anturin puhdistaminen



Vetopyörän ja yleiskäyttöisen pyörän puhdistaminen



- * Jos tuotetta ei käytetä pitkään aikaan, lataa tuote täyteen ja sammuta sitten laite ennen säilytykseen asettamista. Lataa tuote kolmen kuukauden välein akun ylipurkautumisen välttämiseksi.
- * Jos akku ylipurkautuu tai jos sitä ei käytetä pitkään aikaan, tuotetta ei ehkä voi ladata enää. Ota yhteyttä yhtiön asiakaspalveluun huoltoa varten. Tuotetta ei saa purkaa

Merkkivalot

Robotissa on kaksi merkkivaloa, ylempi on virran merkkivalo ja alempi on latauksen merkkivalo. Valolla on kolme väriä: punainen, vihreä ja keltainen. Valon tiloja ovat pois päältä, valo palaa tasaisesti, vilkkuu nopeasti ja vilkkuu hitaasti.

Nimike	Laitteen tila	Valotila			
		Virta		Lataa	
		Väri	Tila	Väri	Tila
1	Virta päälle	Vihreä	Palaa tasaisena		Pois päältä
2	Virran sammutus		Pois päältä		Pois päältä
3	Puhdistaminen	Vihreä	Pois päältä		Pois päältä
4	Lataa	Vihreä	Palaa tasaisena	Keltainen	Palaa tasaisena
5	Akun varaus alhainen	Vihreä	Palaa tasaisena	Punainen	Palaa tasaisena
6	Latauksen aikana	Vihreä	Palaa tasaisena	Vihreä	Vilkkuu hitaasti
7	Lataus valmis	Vihreä	Palaa tasaisena	Vihreä	Palaa tasaisena
8	WI-FI AP	Vihreä	Vilkkuu nopeasti	Vihreä	Vilkkuu nopeasti
9	WIFI yhdistetty	Vihreä	Palaa tasaisena		Pois päältä
10	Varoitus	Punainen	Vilkkuu nopeasti		Pois päältä
11	Valmiustila	Vihreä	Palaa tasaisena		Pois päältä
12	Lepotila		Pois päältä		Pois päältä
13	Akunteho alhainen	Punainen	Vilkkuu nopeasti		Pois päältä
14	Ei kalibroitu	Punainen	Vilkkuu nopeasti	Punainen	Vilkkuu nopeasti
15	Kalibroitu	Vihreä	Palaa tasaisena		Pois päältä

Tuotteen tiedot

Kategoria	Nimike	Tekniset tiedot
Rakenne	Halkaisija	300 mm
	Pituus	74 mm
Akku	Nettopaino	2,5 kg
	Akun kapasiteetti	14,4 V
	Akku	2500 mAh ladattava litiumakku
Suorituskyky	Pölykotelon kapasiteetti	200 ml
	Lataustyypit	Automaattinen ja manuaalinen lataus
	Puhdistustilat	Automaattinen puhdistus, tahransuodatus, reunan puhdistus
	Latausaika	Noin 300 minuuttia
Päälaite	Puhdistusaika	Noin 100 minuuttia
	Nimellisteho (W)	28
	Käyttäjännite (V)	14,4

* Tuotteen jatkuvan kehittämisen vuoksi tuotteen tekniset tiedot voivat muuttua itse tuotteen mukaan. Yhtiömme varaa oikeuden päivittää tuotetta.

Ota huomioon – kaikkia tuotteita voidaan muuttaa ilman erillistä ilmoitusta. Emme vastaa tämän käyttöoppaan virheistä tai puutteista.

KAIKKI OIKEUDET PIDÄTETÄÄN, COPYRIGHT DENVER A/S



denver.eu



Sähkö- ja elektroniikkalaitteet sekä niissä käytettävät paristot sisältävät materiaaleja, komponentteja ja aineita, jotka voivat olla vahingollisia terveydelle ja ympäristölle, jos jättemateriaalia (pois heitettävät sähkö- ja elektroniikkalaitteet sekä paristot) ei käsitellä asianmukaisesti.

Sähköinen ja elektroninen laite ja akku on merkitty roskakorilla, jonka yli on piirretty rasti, kuten yllä. Symboli kertoo, ettei sähkö- ja elektroniikkalaitteita tai paristoja saa hävittää kotitalousjätteen mukana, vaan ne on hävitettävä erikseen.

On tärkeää, että loppukäyttäjänä viet käytetyt paristot oikeaan keräyspaikkaan. Tällä tavoin voit varmistaa, että paristot kierrätetään lain mukaan, eivätkä ne vahingoita ympäristöä.

Kaikkiin kaupunkeihin on perustettu keräyspisteitä, joihin sähkö- ja elektroniikkalaitteet sekä paristot voidaan viedä maksutta edelleen toimitettaviksi kierrätysasemille tai muihin keräyspisteisiin tai ne voidaan kerätä suoraan kotoa. Lisätietoja saat kuntasi tekniseltä osastolta.

Denver A/S vakuuttaa, että radiolaitetyyppi RVC-110 on direktiivin 2014/53/EU mukainen. EU-vaatimustenmukaisuusvakuutuksen täysimittainen teksti on saatavilla seuraavassa osoitteessa: denver.eu, napsauta hakukuvaketta verkkosivuston yläreunassa. Kirjoita mallinumero: RVC-110. Siirry nyt tuotesivulle, RED-direktiivi näkyy latausten/muiden latausten alla.

Käyttötaajuusalue: 2400MHz-2483.5MHz

Maks. lähtöteho: 19dBm

DENVER A/S

Omega 5A, Soeften

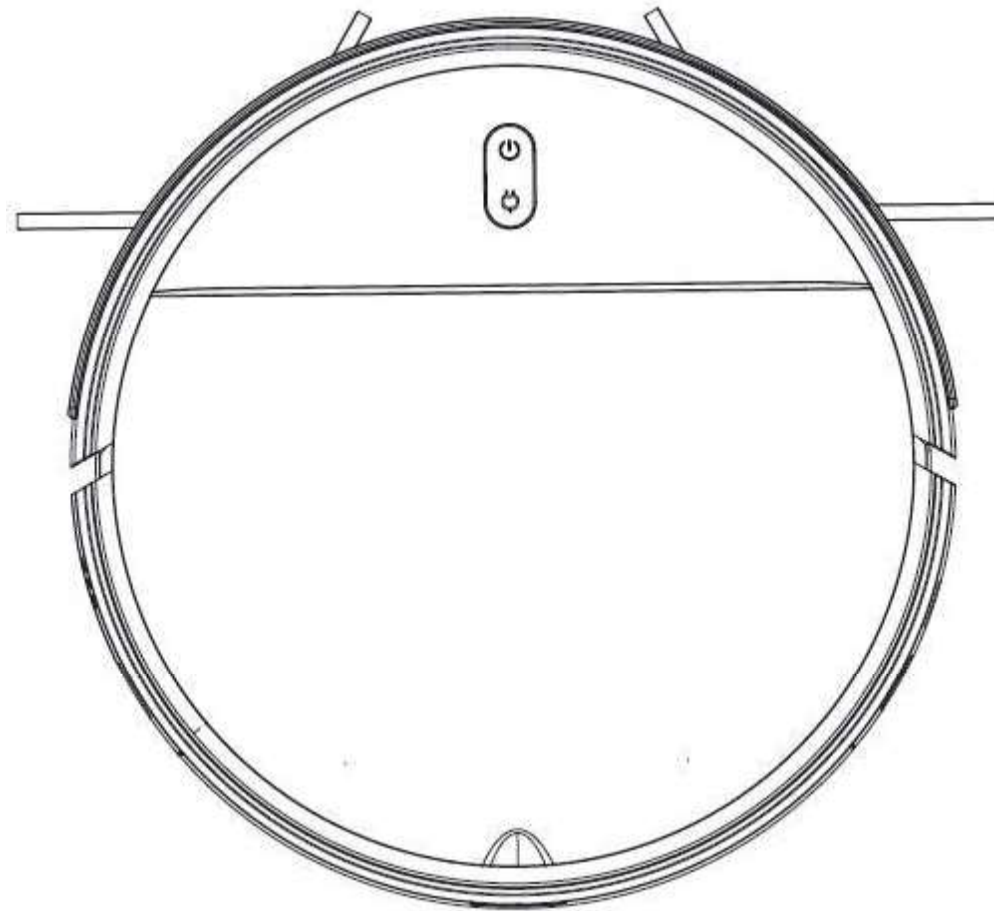
DK-8382 Hinnerup

Tanska

www.facebook.com/denver.eu

Bruksanvisning for robotstøvsuger

Modell: RVC-110



www.denver.eu

facebook.com/Denver.eu

Sikkerhetsinstruksjoner

Les sikkerhetsinstruksjonene grundig før du bruker produktet for første gang, og oppbevar instruksjoner for fremtidig referanse.

1. Hold produktet utenfor rekkevidden til barn og dyr, for å unngå tygging og svelging.
2. Advarsel: Dette produktet inkluderer Litium-ion-batteri
3. Produktet skal aldri åpnes. Kun kvalifisert personell kan demontere dette produktet. Brukere anbefales ikke å utføre service eller reparasjoner
4. Lad kun med den inkluderte laderen. Ikke bruk uoriginalt tilbehør sammen med produktet, siden dette kan føre til at produktet fungerer unormalt
5. Ikke berør ledninger eller deler når produktet er i rengjøringsmodus
6. Ikke sitt på produktet
7. Før du bruker dette produktet, fjerner du alle gjenstander som lamper, glassgjenstander, gardiner og andre hindringer som kan vikles inn børstene eller luftsugekanalen.
8. Ikke bøy ledninger eller plasser tunge gjenstander på maskinen
9. Dette produktet er et husholdningsprodukt. Produktet er kun ment for innendørs bruk i tørre forhold. Ikke bruk den utendørs.
10. Ikke bruk dette produktet i våte miljøer, slik som på badet
11. For å unngå ulykker bes du informere andre i husholdningen når produktet utfører rengjøring
12. Tøm støvboksen før bruk. En full støvboks påvirker rengjøringseffektiviteten og senker sugeevnen
13. Produktets betjenings- og oppbevaringstemperatur er fra 0 grader celsius til 40 grader celsius. Miljøer under og over denne temperaturen kan påvirke funksjonaliteten
14. Bruk kun det originale oppladbare batteriet og ladesetet fra leverandøren. Ikke-oppladbare batterier er strengt forbudt, se "produktparametere" for batterispesifikasjoner.
15. Ikke bruk produktet i miljøer med åpen ild eller skjøre gjenstander
16. Det er forbudt å bruke produktet i ekstremt varme (over 40 grader) eller ekstremt kalde (under 0 grader) temperaturer. Garantien dekker ikke skader forårsaket av dette.
17. Ikke berør produktet når den er slått på og under rengjøring. Hold hår, klær, fingre og andre kroppsdelene unna produktets åpning
18. Produktet er ikke i stand til å fjerne stein- eller papiravfall siden dette kan tette produktet
19. Produktet kan ikke absorbere brennende artikler som sigaretter, fyrstikker, aske osv. som kan forårsake brann
20. Sørg for å holde produktet unna brennbare stoffer, slik som toner for skrivere og andre brennende væsker
21. Ikke plasser gjenstander i sugeåpningen. Ikke bruk produktet når sugeåpningen er blokkert. Rydd opp støv, bomull osv. ved sugeåpningen for å sikre jevn luftsirkulasjon ved åpningen
22. Bruk strømledningen forsiktig for å unngå skade. Ikke trekk, dra eller bruk strømledningen som håndtak når du flytter laderen.
23. Ikke plasser strømledningen i døråpninger eller andre steder hvor den kan forårsake skade. Sørg for at det er ledig plass rundt strømledningen og laderen.
24. Ikke bruk en skadet lader eller strømledning
25. Advarsel: Denne fjernkontrollen inneholder AAA-batterier. Bruk kun AAA-batterier i fjernkontrollen.
26. Bruk aldri gamle og nye batterier eller batterier av forskjellige typer sammen. Fjern batteriene dersom du ikke skal bruke produktet i en lengre periode. Kontroller batterienes polaritet (+/-) når du setter dem inn i produktet. Feil plassering kan forårsake en eksplosjon. Batterier følger ikke med.
27. Strømadapteren brukes som frakoblingsenhet, den skal være lett å betjene. Sørg derfor for at det er tilstrekkelig med plass rundt stikkkontakten for enkelt tilgang.

Produktsammensetning – pakkens innhold



1x robotstøvsuger



1x ladedokking



2x batteri



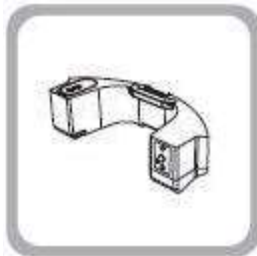
1x fjernkontroll



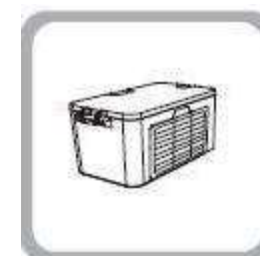
1x adapter



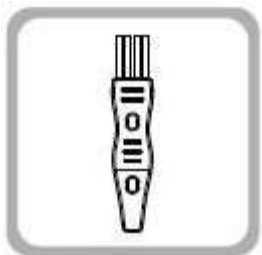
1x moppeholderfeste



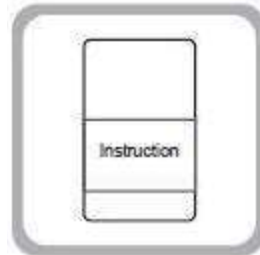
1x vanntank



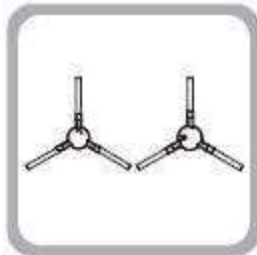
1x støvbeholder



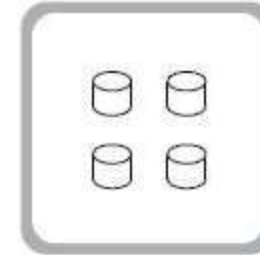
1x rengjøringsbørste



1x bruksanvisning



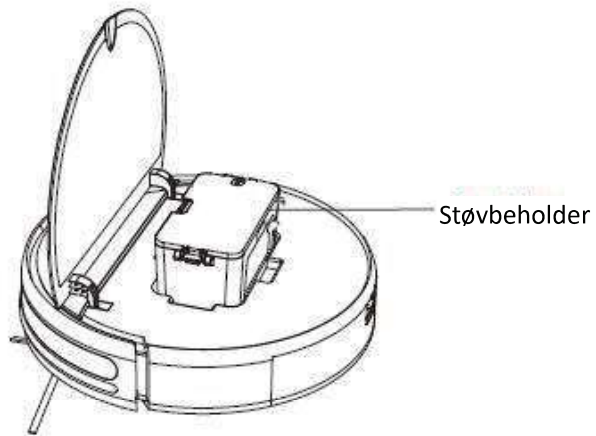
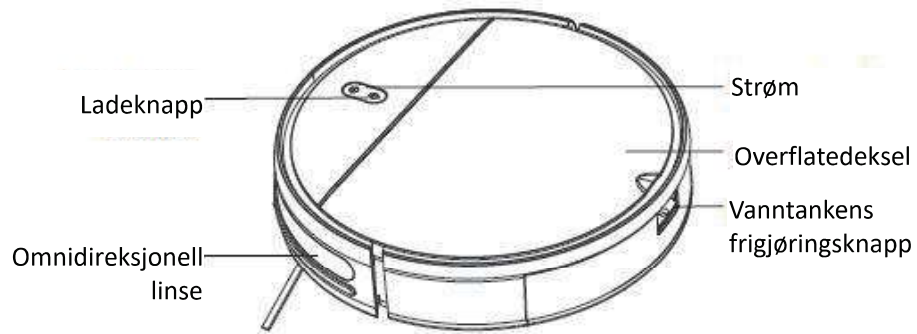
2x sidebørste



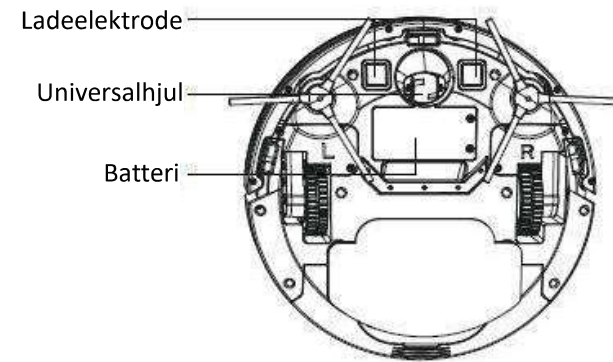
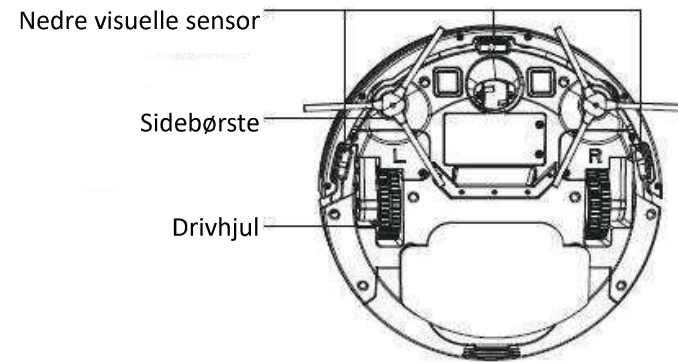
4x bomullsfilter

Produktsammensetning – beskrivelse av deler

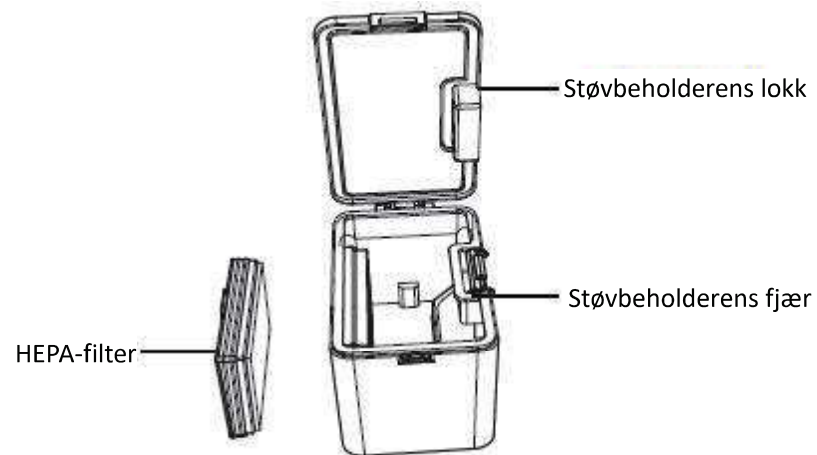
Foran på hovedenheten



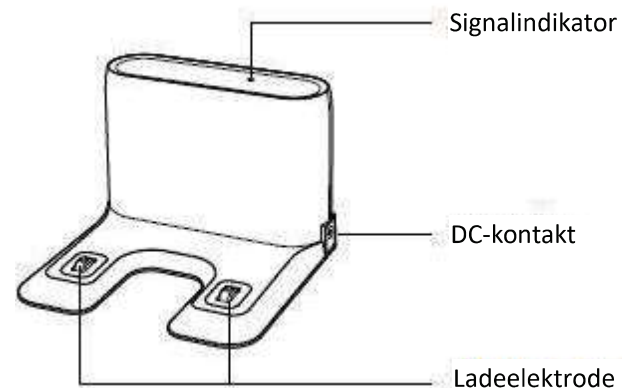
Bak på hovedenheten



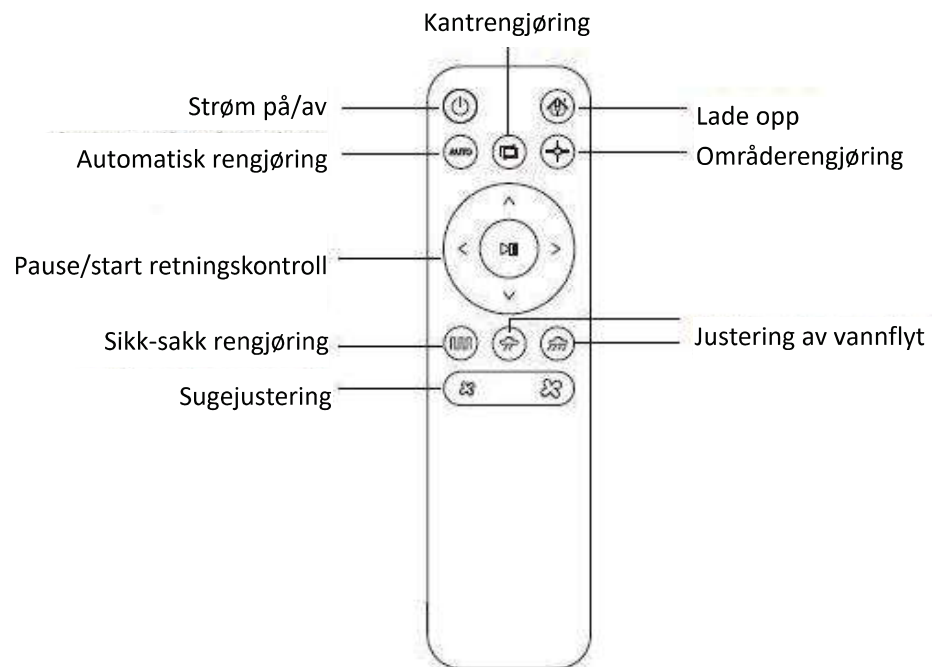
Støvbeholder



Ladedokking



Fjernkontroll

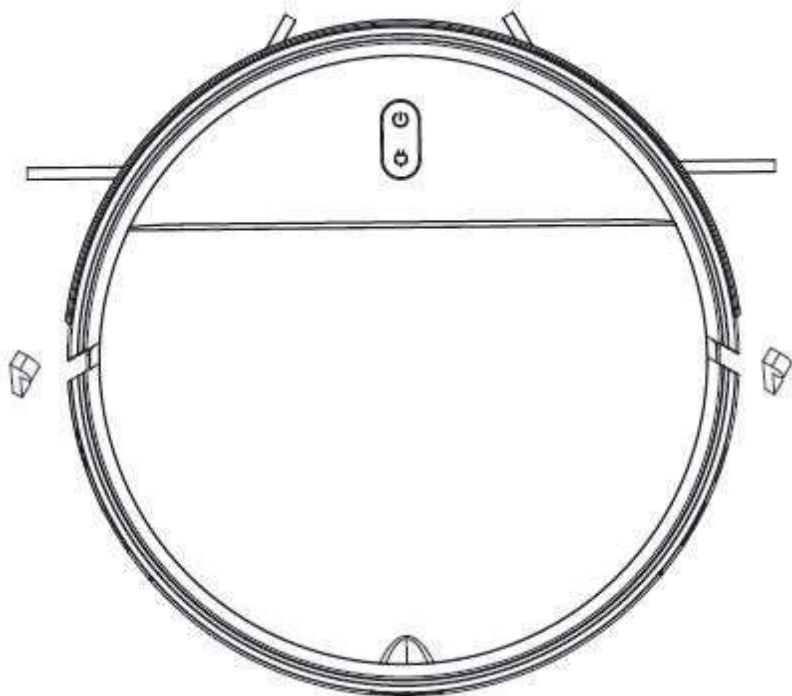


Forberedelser

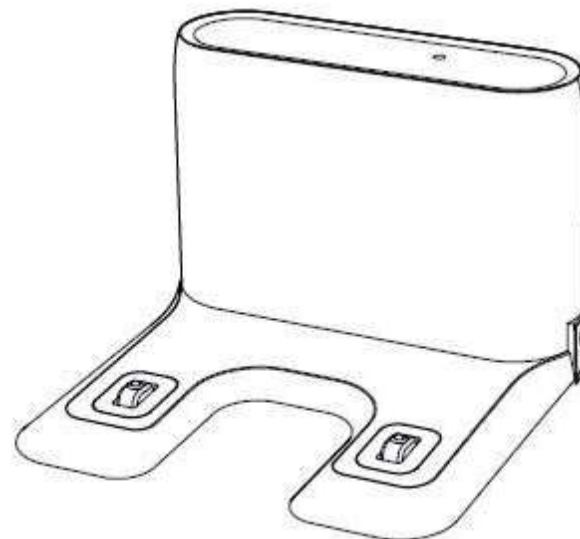
Fjerning av beskyttelsesremser

Fjern beskyttelsesstrimlene før du bruker støvsugeren.

Fjerning av beskyttelsesremser

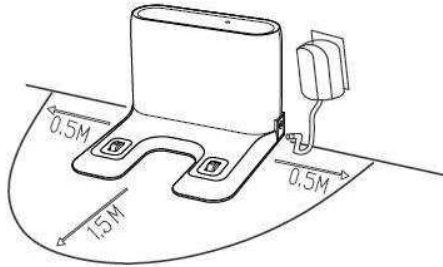


Fjerning av beskyttelsesfilm

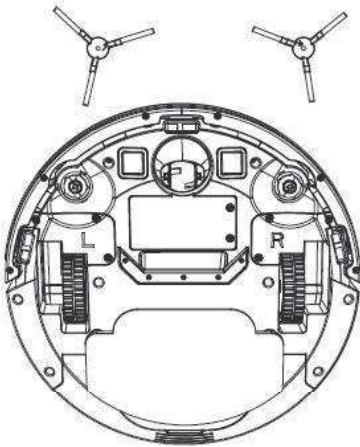


Produktbruk – lade robotstøvsugereren

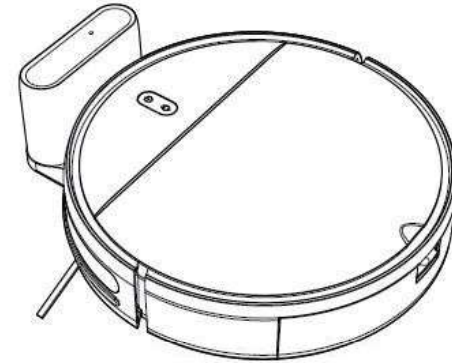
1. Plasser ladestasjonen på den flate bakken mot veggen. Ikke plasser noen gjenstander 0,5 m på venstre og høyre side av ladestasjonen eller 1,5 m foran ladestasjonen.



2. Koble ladestasjonen til strømforsyningen.
3. Installer venstre og høyre sidebørster.




4. Lading: Plasser hovedenheten på ladestasjonen for å lade hovedenheten. Under lading blinker indikatoren. Når ladingen er fullført, lyser indikatoren konstant. Det tar omtrent fem timer å lade hovedenheten helt.



Under rengjøring sjekker hovedenheten automatisk strømnivået.

Hvis strømmen er utilstrekkelig, aktiverer hovedenheten modusen for å gå tilbake til ladedokkingen og går automatisk tilbake til ladedokkingen for lading.

Alternativt kan du trykke på  - knappen på fjernkontrollen for å instruere hovedenheten om å aktivere modusen for å gå tilbake til ladestasjonen.

Forsiktig:

1. Ikke bruk ladedokkingen i reflekterende miljøer som miljøer som er utsatt for direkte sollys og omgivelser med speil i nærheten. Hvis det finnes reflekterende gjenstander, må ladedokkingen dekkes til i en høyde på 7 cm fra bunnen.
2. For å sikre normal driftstid for hovedenheten, lad hovedenheten helt opp før bruk. Ladetiden er omtrent fem timer.
3. For å sikre sikkerheten ved lading og forhindre at en fuktig klut skader gulvet, fjern vanntanken før du lader hovedenheten.

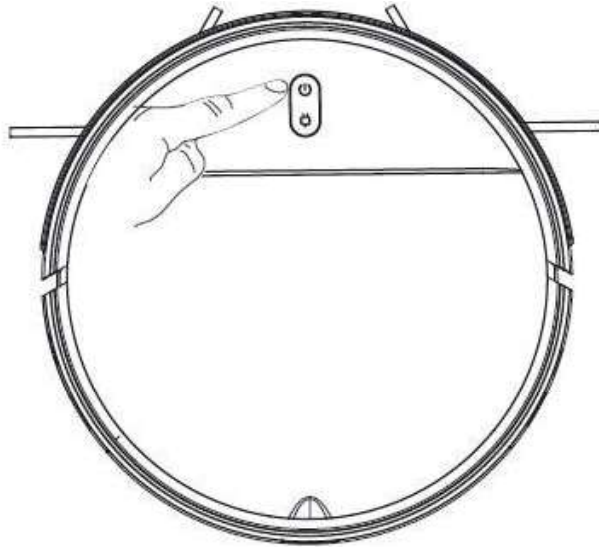
Produktbruk – starte rengjøring

Dette produktet flere rengjøringsmoduser du kan velge for å dekke forskjellige rengjøringsbehov. Du kan bruke forskjellige rengjøringsmoduser gjennom hovedenheten eller fjernkontrollen.

Robotstøvsugeren er ikke bygget for å tvinge og overvinne terskler og dørstokker.


Automatisk rengjøring

Innstillingsmetode: Trykk og hold inne strømknappen når den er slått av. Etter at indikatoren til hovedenheten er på, noe som indikerer at hovedenheten er slått på, trykker du på strømknappen igjen for å aktivere automatisk rengjøring.




Områderengjøring

Gjeldende scenario: Rensemodusen kan brukes på bakken hvor søppel er konsentrert. Hovedenheten renser bakken i en spiralbane i det angitte området og går tilbake til det opprinnelige punktet etter rengjøring.

Innstillingsmetode: Trykk på  -knappen på fjernkontrollen for å aktivere områderengjøring.

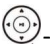
Kantrensjøring

Gjeldende scenario: Rengjøringsmodusen gjelder for innendørs hjørner. Hovedenheten rengjør gulvet langs kantene på faste gjenstander (for eksempel vegg) og returnerer til ladestasjonen etter rengjøring.


Innstillingsmetode: Trykk på  -knappen på fjernkontrollen for å aktivere kantrensjøring.

Manuell kontroll

Gjeldende scenario: Kontroller rengjøringsruten og -området ved å bruke retningsknappene på fjernkontrollen.

Innstillingsmetode: Trykk på  -knappen på fjernkontrollen for å kontrollere produktet når det beveger seg fremover, bakover eller svinger.

Produktbruk – pause, vekking og avslutning

Pause: Når hovedenheten fungerer, trykker du på strømknappen på hovedenheten eller trykker på pauseknappen  på fjernkontrollen for å pause hovedenheten.

Vekking: Etter at hovedenheten er pauset i mer enn 10 minutter, aktiverer hovedenheten hvilemodus (indikatoren på hovedenheten er av). Trykk på strømknappen på hovedenheten for å vekke hovedenheten eller trykk på strømknappen på fjernkontrollen for å starte hovedenheten på nytt.

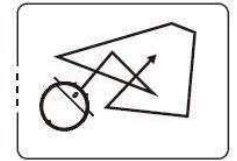
Slå av: Etter at hovedenheten er pauset, trykker og holder du inne strømknappen på hovedenheten. Hvis indikatoren på hovedenheten er av, er produktet slått av.

* Etter at hovedenheten har fullført driften, anbefales det ikke å slå av hovedenheten. Hold hovedenheten i ladestatus at den kan fungere bedre ved neste operasjon.

Rengjøringsmoduser

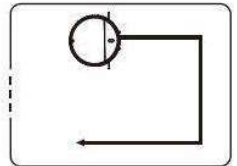
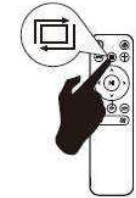
1. Automatisk rengjøring

Roboten gjør tilfeldig rengjøring i 90 minutter, og etter rengjøringen er ferdig, vil den automatisk gå tilbake til ladedokkingen for opplading.



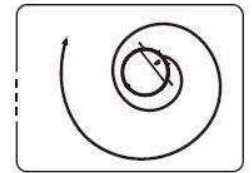
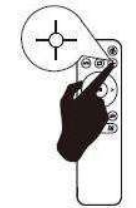
2. Kantrengjøring

Roboten utfører kantrengjøring med en avstand mindre enn 2 cm til vegg.



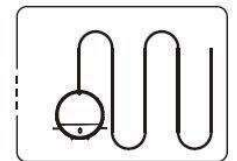
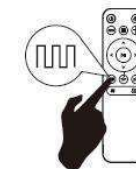
3. Områderengjøring

Roboten begynner å rengjøre i en utadgående spiralbevegelse, og beveger seg deretter i en innadgående spiralbevegelse etter å ha nådd en maksimal radius på 0,6 meter. Roboten avslutter rengjøringen etter retur til startpunkt.



4. Sikk-sakk rengjøring

Under sikk-sakk rengjøringsmodus er den lengste rengjøringsavstanden 5 meter i en rett linje.



Produktbruk – Wi-Fi-tilkobling

1. Last ned app / registrering

Skann QR-koden her eller søk etter "Tuya Smart" fra App Store og last den ned. Følg appens bruksanvisning for å registrere en konto.

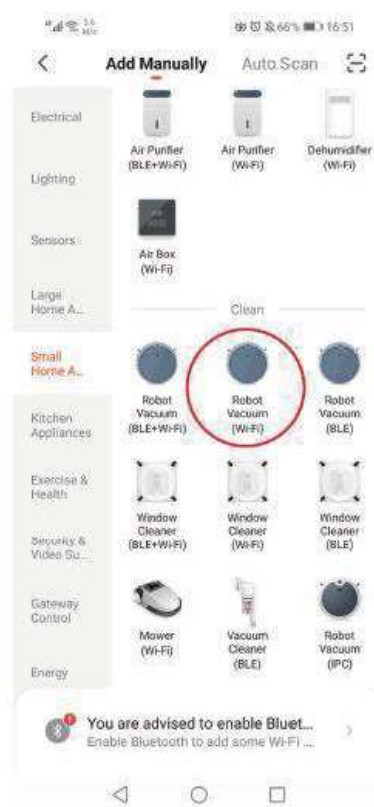
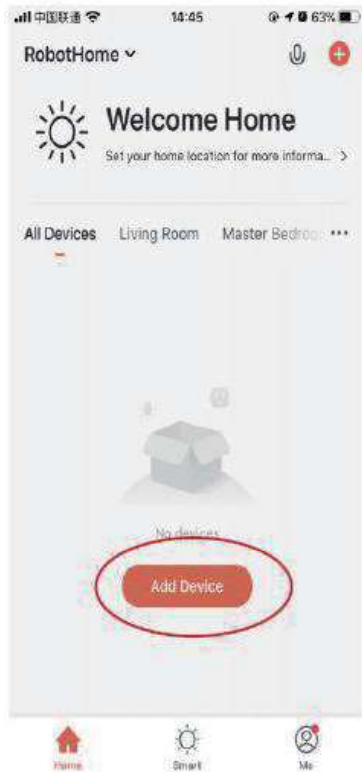


2. Wi-Fi-tilkobling

Det er to Wi-Fi-tilkoblingsmoduser: **EZ-modus** og **AP-modus**.

(1) EZ-modus:

1. Slå på roboten, trykk på og hold inne ladeknappen i 3 sekunder for å gå inn i EZ-modus og du hører en pipelyd. Strømindikatorlampen blir gul og blinker.



2. Logg inn på Tuya APP og klikk på "Legg til enhet".

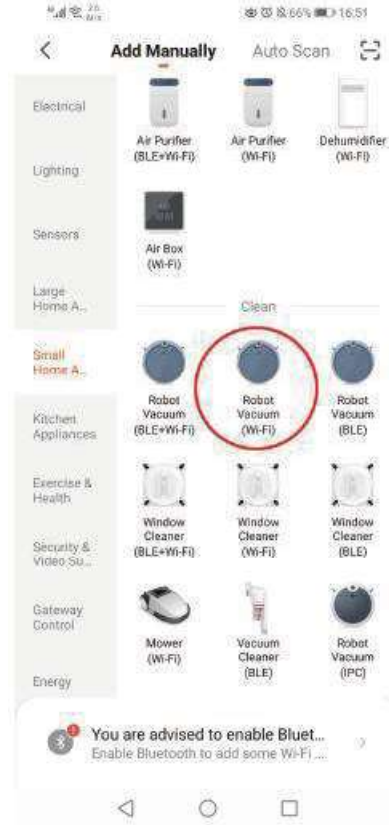
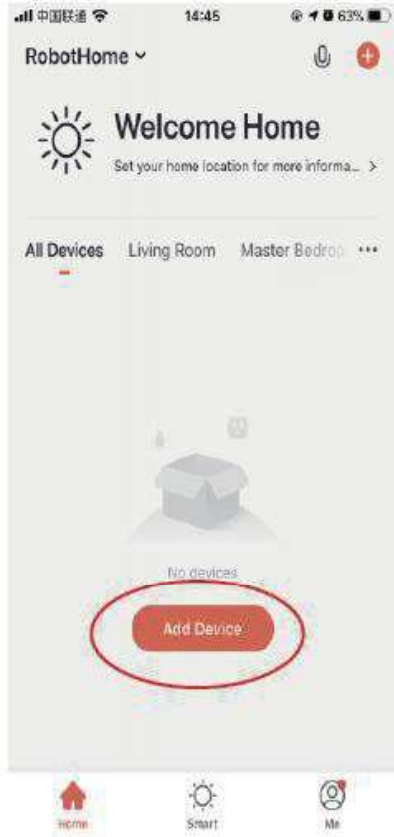
3. Velg "Små husholdningsapparater" og velg deretter "Wi-Fi-robotstøvsuger".

4. Velg 2,4 GHz Wi-Fi-nettverk, oppgi Wi-Fi-navn og passord og klikk deretter på "Neste".

5. Velg EZ-modus, klikk på "Bekreft at indikatoren blinker raskt" og "Neste" for å vente på tilkoblingsresultatet.

(2) AP-modus:

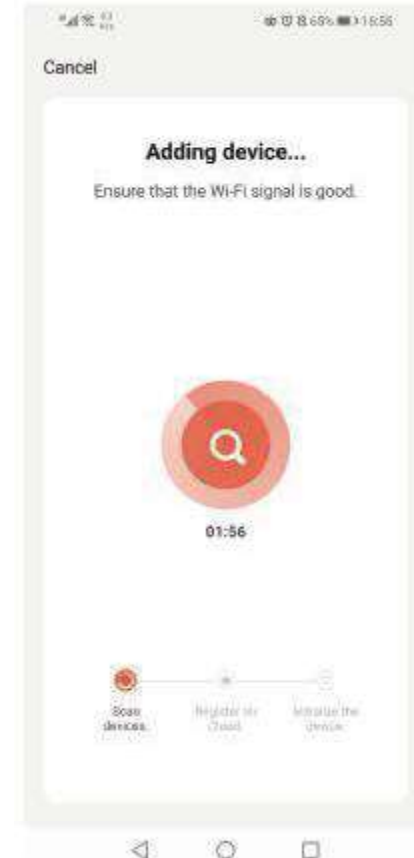
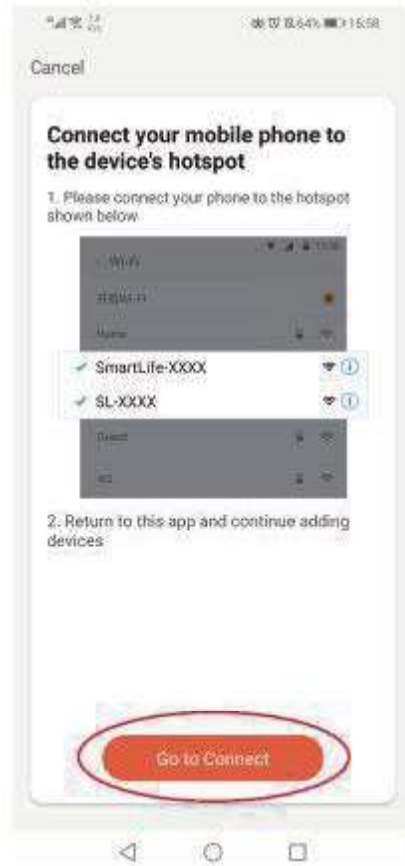
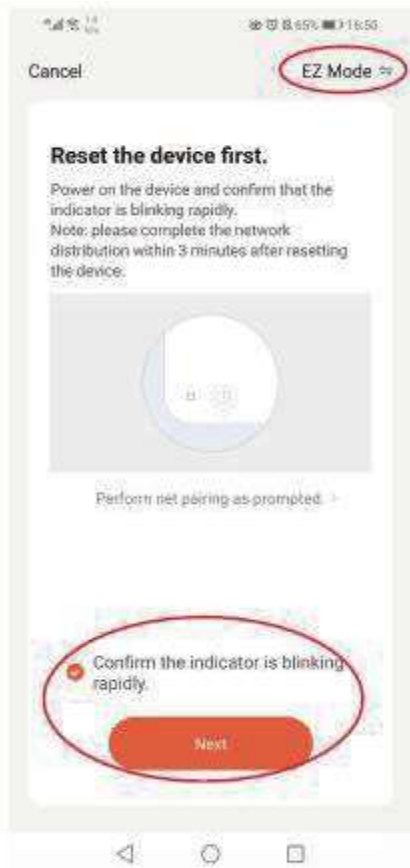
1. Slå på roboten, trykk på og hold inne ladeknappen i 6 sekunder for å gå inn i AP-modus og du hører to pipelyder. Strømindikatorlampen blir gul og blinker.



2. Logg inn på Tuya APP og klikk på “Legg til enhet”.

3. Velg “Små husholdningsapparater” og velg deretter “Wi-Fi-robotstøvsuger”.

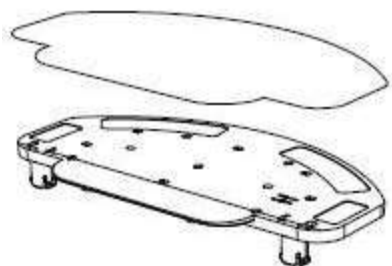
4. Velg 2,4 GHz Wi-Fi-nettverk, oppgi Wi-Fi-navn og passord og klikk deretter på “Neste”.



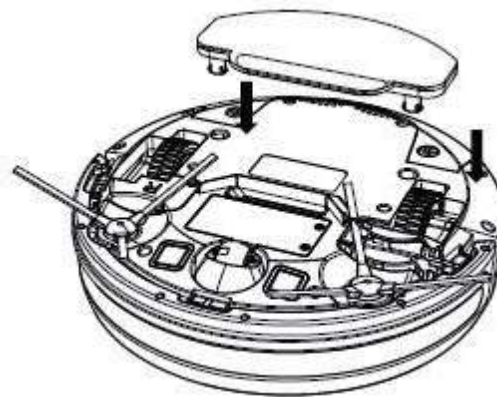
5. Velg AP-modus, og klikk på “Bekreft at indikatoren blinker sakte” og “Neste”.
6. Gå til koble til Wi-Fi-aktiveringspunkt som starter med “SmartLife XXX”.
7. Etter å ha koblet til Wi-Fi-aktiveringspunktet, går du tilbake til Tuya APP-grensesnittet og venter på resultatet av robottilkoblingen.

Produktbruk – Installer moppeholderen

A. Monter moppekluten på moppeholderen;



B. Installer moppeholderen på roboten;

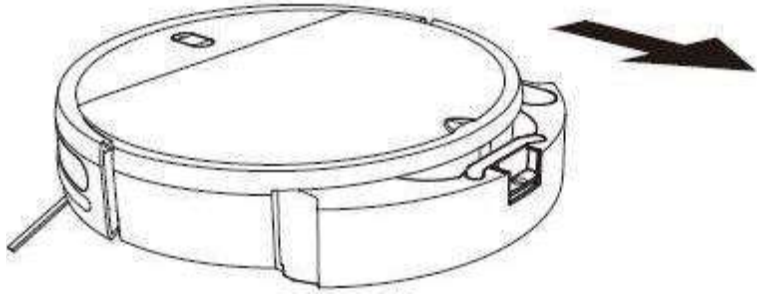


Produktbruk – Vanntank

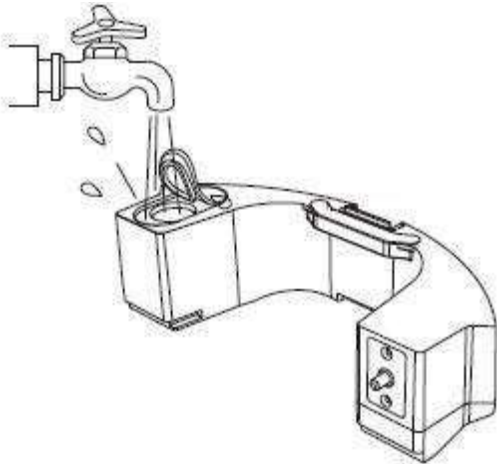
* Ikke bruk moppefunksjon i teppet.

* Etter at moppingen er ferdig, rengjør du vanntanken og tar av moppekluten.

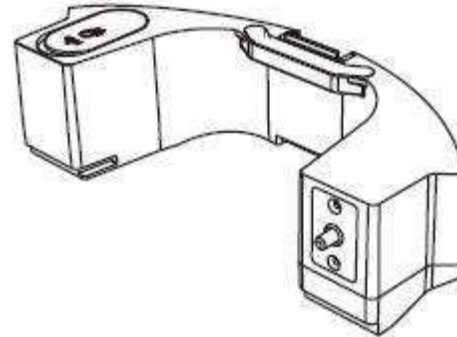
A. Ta ut vanntanken;



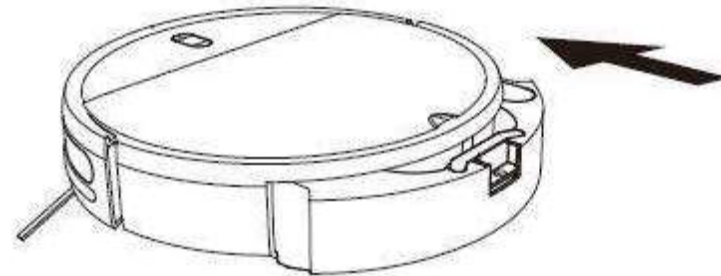
B. Åpne silikagelpluggen og tilsett vann;



C. Flate ut gummipluggen;

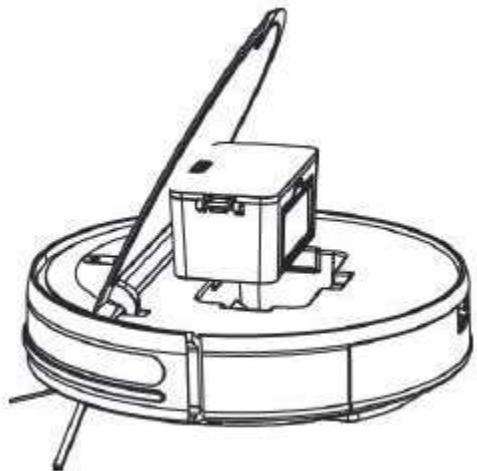


D. Monter vanntanken på roboten.

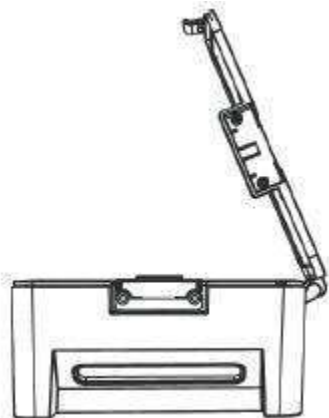


Vedlikehold av deler – Støvbeholder

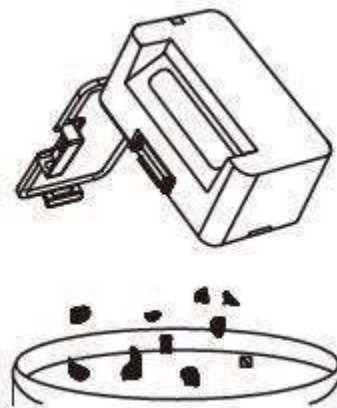
A. Trykk på knappen på støvbeholderen for å fjerne støvbeholderen.



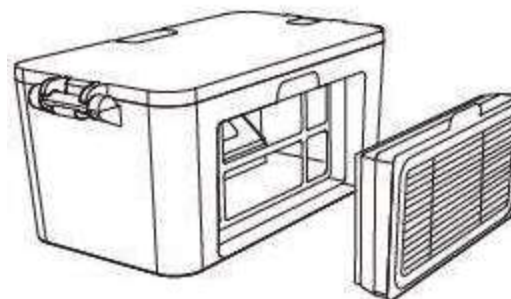
B. Åpne sidedekselet til støvbeholderen.



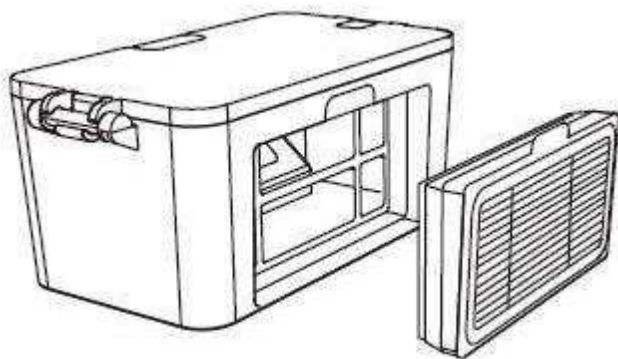
C. Kast avfallet.



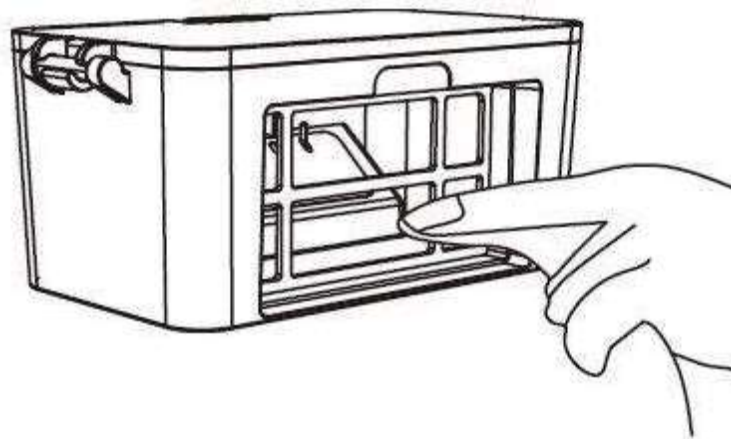
D. Ta ut HEPA-filteret.



E. Trykk på HEPA-filteret for å fjerne støv.



G. Rengjør støvbeholderen med en klut.

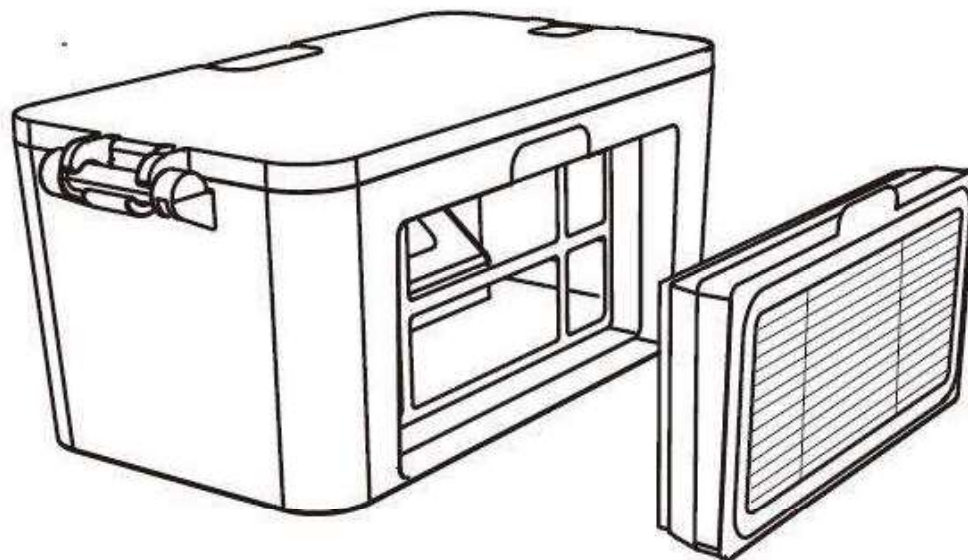
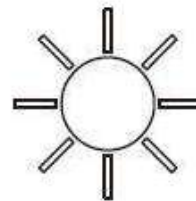


F. Vask HEPA-filteret.



H. Tørk støvbeholderen og filterdelen for å sikre levetiden.

Merk: Det anbefales at du vasker HEPA-filteet hver 15. til 30. dag. Maksimal levetid for HEPA-filteet er tre måneder.



I. Plasser HEPA-filteet tilbake i støvbeholderen.

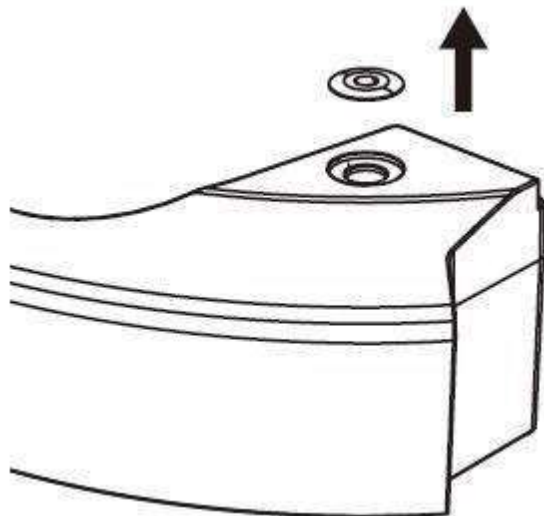
Merk: 1. Før du installerer HEPA-filteet, må du sørge for at det er tørt.

2. Ikke utsett HEPA-filteet for sollys.

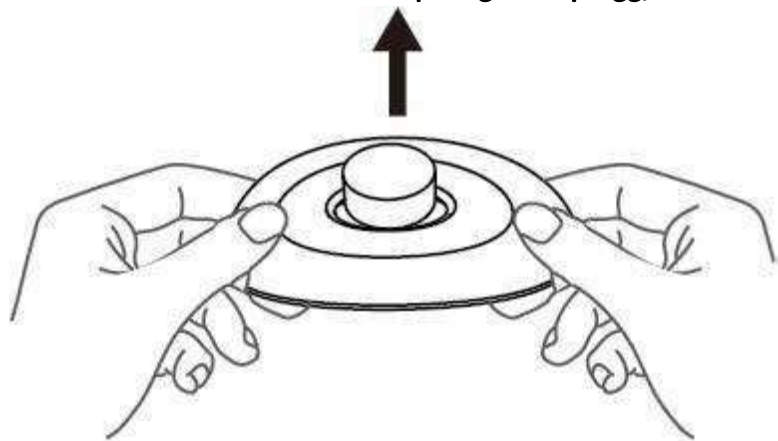
J. Lukk lokket på støvbeholderen og monter støvbeholderne på hovedenheten.

Vedlikehold av deler – bomullsfiler

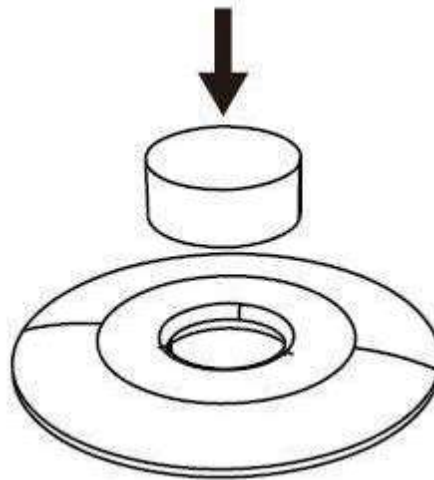
A. Ta ut gummipluggen til uttaket;



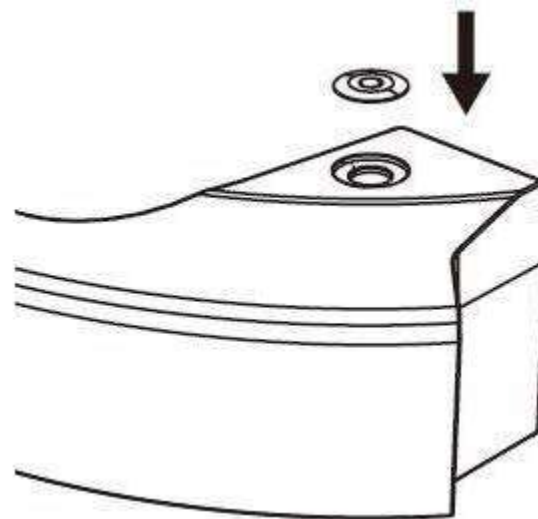
B. Ta ut bomullsfileret fra utløpets gummiplugg;



C. Bytt ut med et nytt bomullsfiler;



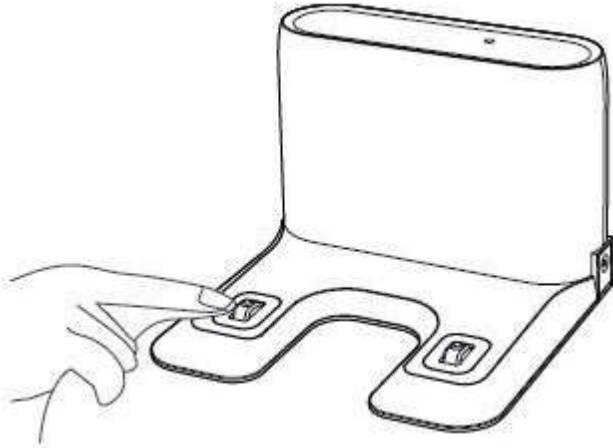
D. Installer gummipluggen på uttaket.



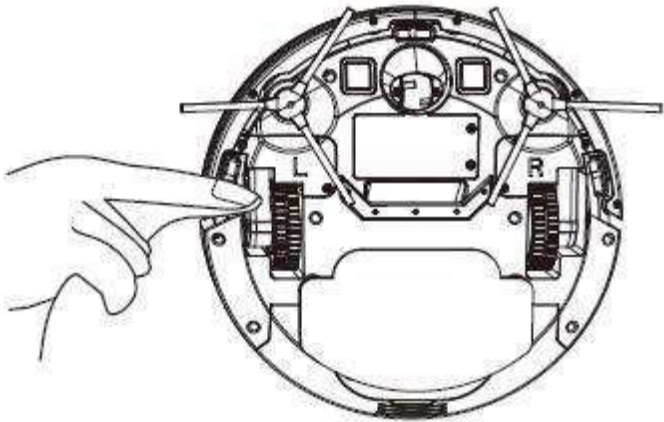
Vedlikehold av deler – ladeelektrode, nedre visuelle sensor, drivhjul og universalhjul

Merk: Ladeelektroden, den nedre visuelle sensoren og støtfangeren inneholder sensitive elektroniske komponenter. Bruk en tørr klut til å rengjøre delene. Ikke bruk en våt klut i tilfelle vann kommer inn i delene og forårsaker skade.

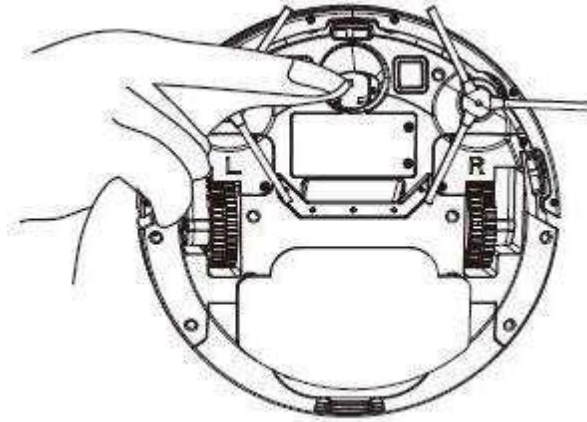
Rengjøring av ladeelektroden



Rengjøring av den nedre visuelle sensoren



Rengjøring av drivhjul og universalhjul



- * Hvis du ikke bruker produktet på lang tid, lad produktet helt opp og slå deretter av produktet før du oppbevarer produktet. Lad produktet hver tredje måned for å unngå overutlading av batteriet.
- * Hvis batteriet er overutladet eller ikke brukes på lang tid, kan det hende at produktet ikke er oppladbart. Kontakt servicepersonell i selskapet for vedlikehold. Ikke demonter produktet.

Lysindikator

Roboten har to indikatorlys, den øvre er for strømindikasjon og den nedre er for ladeindikasjon. Lyset har tre farger: rødt, grønt og gult. Lysstatusen inkluderer lys av, lys raskt på, raskt blinkende og sakte blinkende.

Del	Enhetsstatus	Lysstatus			
		Strøm		Lader	
		Farge	Status	Farge	Status
1	Slå på	Grønn	Fast lys		Av
2	Slå av		Av		Av
3	Rengjøring	Grønn	Av		Av
4	Lader	Grønn	Fast lys	Gul	Fast lys
5	Lavt batteri, lade på nytt	Grønn	Fast lys	Rød	Fast lys
6	Under lading	Grønn	Fast lys	Grønn	Blinker sakte
7	Lader fullført	Grønn	Fast lys	Grønn	Fast lys
8	WI-FI AP	Grønn	Blinker hurtig	Grønn	Blinker hurtig
9	Wi-Fi tilkoblet	Grønn	Fast lys		Av
10	Advarsel	Rød	Blinker hurtig		Av
11	Standby-modus	Grønn	Fast lys		Av
12	Søvnmodus		Av		Av
13	Lavt batteri	Rød	Blinker hurtig		Av
14	Ikke kalibrert	Rød	Blinker hurtig	Rød	Blinker hurtig
15	Kalibrert	Grønn	Fast lys		Av

Produktspesifikasjoner

Kategori	Del	Spesifikasjoner
Struktur	Diameter	300 mm
	Høyde	74 mm
	Netto vekt	2,5 kg
Batteri	Batterikapasitet	14,4 V
	Batteri	2 500 mAh oppladbart Litium-batteri
	Støvbeholderens kapasitet	200 ml
Ytelse	Ladetyper	Automatisk og manuell lading
	Rengjøringsmoduser	Automatisk rengjøring; områderengjøring; kantrengjøring
	Ladetid	Omtrent 300 minutter
	Rengjøringstid	Omtrent 100 minutter
Hovedenhet	Nominell effekt (W)	28
	Driftsspenning (V)	14,4

* På grunn av den kontinuerlige forbedringen av produktet, er produktspesifikasjonene underlagt det faktiske produktet. Selskapet forbeholder seg retten til å oppdatere produktet.

Vennligst merk at vi kan gjøre endringer på alle våre produkter uten forvarsel. Vi tar forbehold om eventuelle feil og mangler i denne manualen.

ALLE RETTIGHETER FORBEHOLDT, COPYRIGHT DENVER A/S



denver.eu



Elektrisk og elektronisk utstyr og batterier inneholder materialer, komponenter og stoffer som kan være farlige for helse og miljø hvis avfallet (kasserte elektriske og elektroniske produkter og batterier) ikke håndteres riktig.

Elektrisk og elektronisk utstyr og batterier er merket med en søppelbøtte med kryss over, som vist ovenfor. Dette symbolet betyr at elektrisk og elektronisk utstyr og batterier ikke må kastes sammen med annet husholdningsavfall, men skal avhendes separat.

Det er viktig at du som sluttbruker kvitter deg med dine brukte batterier på en korrekt måte. På denne måten kan du være sikker på at batteriene blir resirkulert i henhold til lovverket, og ikke skader miljøet.

Alle byer har egne systemer for avfallshåndtering. Elektrisk og elektronisk utstyr og batterier kan enten leveres inn gratis til gjenvinningsstasjoner og andre innsamlingssteder eller bli hentet direkte fra husholdningene. Du kan få mer informasjon fra de lokale myndighetene i byen din.

Hermed erklærer Denver A/S at radioutstyrstypen RVC-110 er i overensstemmelse med direktiv 2014/53/EU. EU-overensstemmelseserklæringens fulle tekst kan man finne på følgende internettadresse: denver.eu, og klikk deretter på søkeikonet øverst på nettsiden. Tast inn modellnummeret: RVC-110. Gå deretter til produktsiden, så finner du RED-direktivet under nedlastinger/andre nedlastinger.
Operativt frekvensområde: 2400MHz-2483.5MHz
Maks. utgangseffekt: 19dBm

DENVER A/S

Omega 5A, Soefte

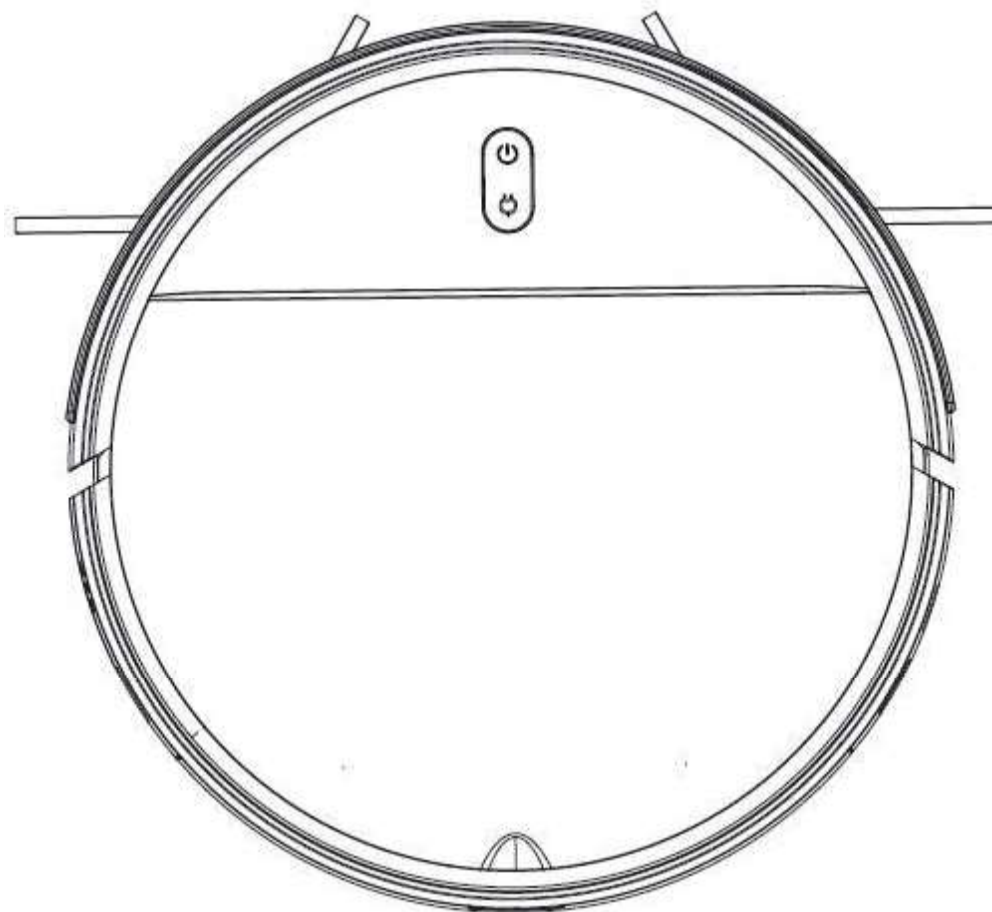
DK-8382 Hinnerup

Danmark

www.facebook.com/denver.eu

Instrukcja obsługi robota odkurzającego

Model: RVC-110



www.denver.eu

facebook.com/Denver.eu

Zasady bezpieczeństwa

Przed pierwszym użyciem produktu należy przeczytać uważnie instrukcje dot. bezpieczeństwa i zachować je do wykorzystania w przyszłości.

1. Przechowywać produkt z dala od dzieci i zwierząt, aby zapobiec pogryzieniu i połknięciu.
2. Ostrzeżenie: Ten produkt zawiera baterię litowo-jonową.
3. Nigdy nie otwierać produktu. Demontaż produktu należy powierzyć specjalistom. Użytkownicy nie powinni serwisować ani naprawiać urządzenia
4. Ładować wyłącznie za pomocą dołączonej ładowarki. Nie używać z produktem nieoryginalnych akcesoriów, ponieważ może to spowodować nieprawidłowe działanie produktu.
5. Nie dotykać przewodów lub części obudowy, gdy urządzenie jest w trybie sprzątania
6. Nie siadać na urządzeniu
7. Przed użyciem urządzenia usunąć wszelkie przeszkadzające przedmioty, takie jak lampy, przedmioty szklane, zasłony i inne przeszkody, które mogą zaplątać się w szczotki lub utknąć w kanale ssącym.
8. Nie zginać przewodów ani nie umieszczać ciężkich przedmiotów na urządzeniu
9. Urządzenie jest przeznaczone do użytku domowego. Z produktu należy korzystać w pomieszczeniach w suchym otoczeniu. Nie używać poza budynkiem.
10. Nie używać urządzenia w środowisku mokrym, na przykład w łazience
11. Aby zapobiec wypadkom, poinformować pozostałych domowników, kiedy urządzenie będzie użytkowane
12. Przed użyciem opróżnić zbiornik na kurz. Zapełniony zbiornik na kurz obniża wydajność odkurzania i obniża siłę ssania
13. Temperatura robocza i przechowywania produktu wynosi od 0 do 40 stopni Celsjusza. Otoczenie, w którym panuje niższa lub wyższa temperatura, może mieć wpływ na działanie urządzenia.
14. Korzystać wyłącznie z akumulatora i ładowarki dostarczonej przez sprzedawcę. Pod żadnym pozorem nie korzystać z baterii jednorazowych. Specyfikacja akumulatora znajduje się w sekcji „parametry produktu”.
15. Nie używać produktu w otoczeniu, w którym występuje nieosłonięty płomień lub delikatne przedmioty
16. Zabronione jest używanie produktu, gdy jest bardzo gorąco (powyżej 40 stopni C) lub bardzo zimno (poniżej 0 stopni C). Szkody powstałe w takich warunkach nie są objęte gwarancją.
17. Nie dotykać urządzenia, gdy jest włączone i gdy odkurza. Nie zbliżać włosów, odzieży, palców i innych części ciała do otworów urządzenia
18. Nie odkurzać kamieni lub ścinków papieru, gdyż mogą one zaczopować urządzenie
19. Za pomocą urządzenia nie można odkurzać palących się przedmiotów, takich jak papierosy, zapałki, popiół itp. gdyż mogą one wywołać pożar
20. Nie zbliżać urządzenia do palnych substancji, takich jak toner do drukarki lub kserokopiarki lub palnych płynów
21. Nie umieszczać przedmiotów w otworach ssących urządzenia. Nie używać produktu, gdy otwór ssący jest zaczopowany. Usuwać kurz, kłaczki, włosy, nitki itp. zbierające się w otworze ssącym, aby zapewnić swobodny przepływ powietrza
22. Chronić przewód zasilający przed uszkodzeniami. Nie ciągnąć za przewód ani nie podnosić stacji ładującej za przewód.

23. Nie umieszczać przewodu w świetle drzwi ani innych miejscach, w których może zostać uszkodzony. Upewnić się że wokół przewodu zasilającego i stacji ładującej jest odpowiednia ilość wolnej przestrzeni.
24. Nie używać uszkodzonego przewodu lub stacji ładującej
25. Ostrzeżenie: Pilot zawiera baterie AAA. W pilocie stosować wyłącznie baterie typu AAA.
26. Nigdy nie używać razem nowych i starych baterii ani baterii różnego typu. Jeżeli urządzenie nie będzie używane przez dłuższy czas, należy wyjąć z niego baterie. Podczas wkładania baterii do produktu należy zachować prawidłową biegunowość (+/-). Niewłaściwe włożenie baterii może spowodować wybuch. Brak baterii w zestawie.
27. Wtyczka zasilająca stacji ładującej umożliwia całkowite odcięcie zasilania, dlatego należy zapewnić do niej łatwy dostęp. Należy też upewnić się, że gniazdko sieciowe jest łatwo dostępne i wokół niego jest wolna przestrzeń zapewniająca łatwy dostęp.

Skład produktu – zawartość opakowania



1 x robot odkurzający



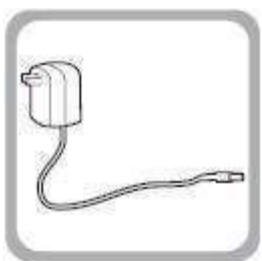
1 x dok ładowania



2 x akumulator



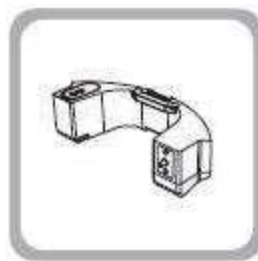
1 x pilot



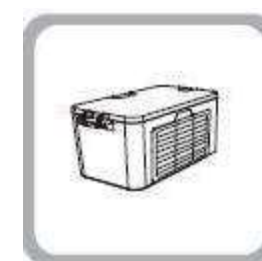
1 x zasilacz



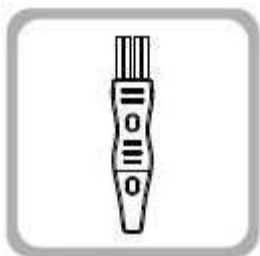
1 x zespół uchwytu mopa



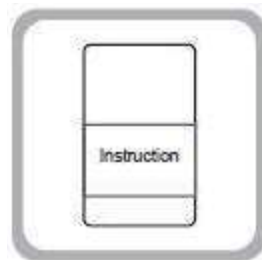
1 x zbiornik na wodę



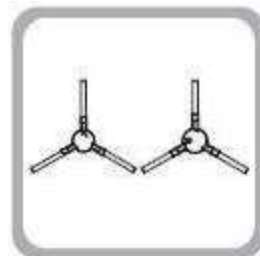
1 x pojemnik na śmieci



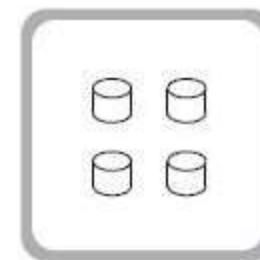
1 x szczotka czyszcząca



1 x instrukcja obsługi



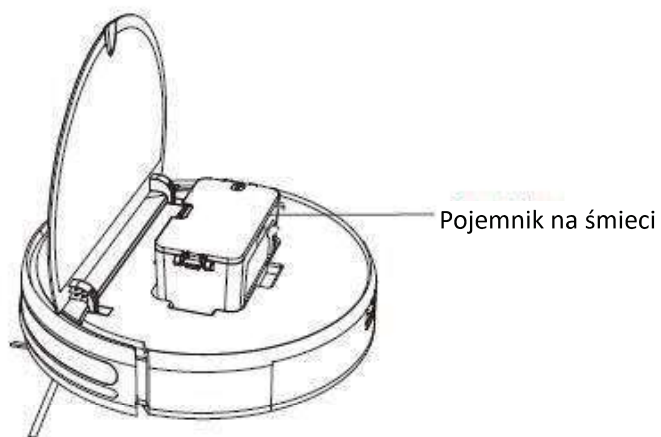
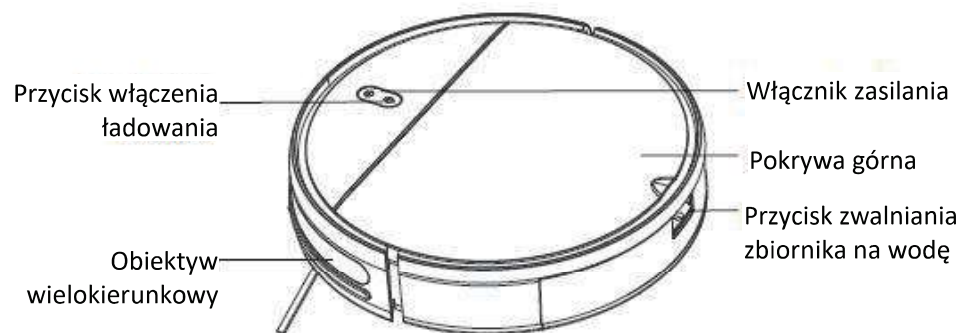
2 x szczotka boczna



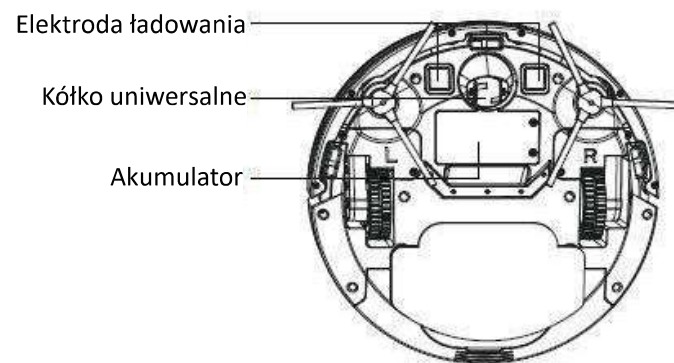
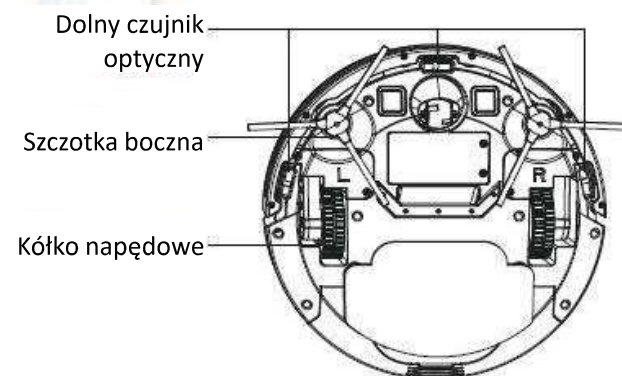
4 x filtr bawełniany

Skład produktu – opis części

Przód urządzenia głównego



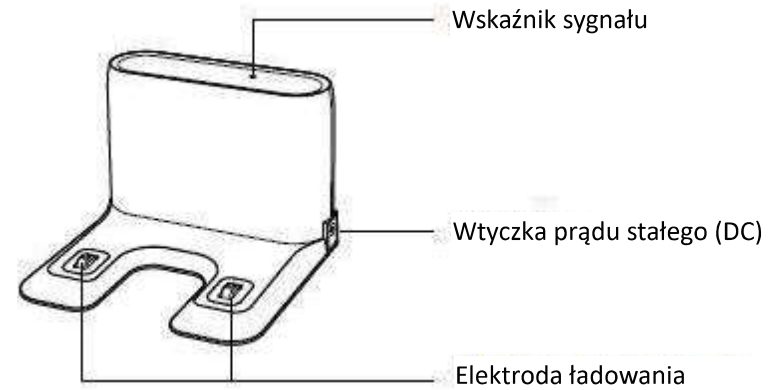
Tył urządzenia głównego



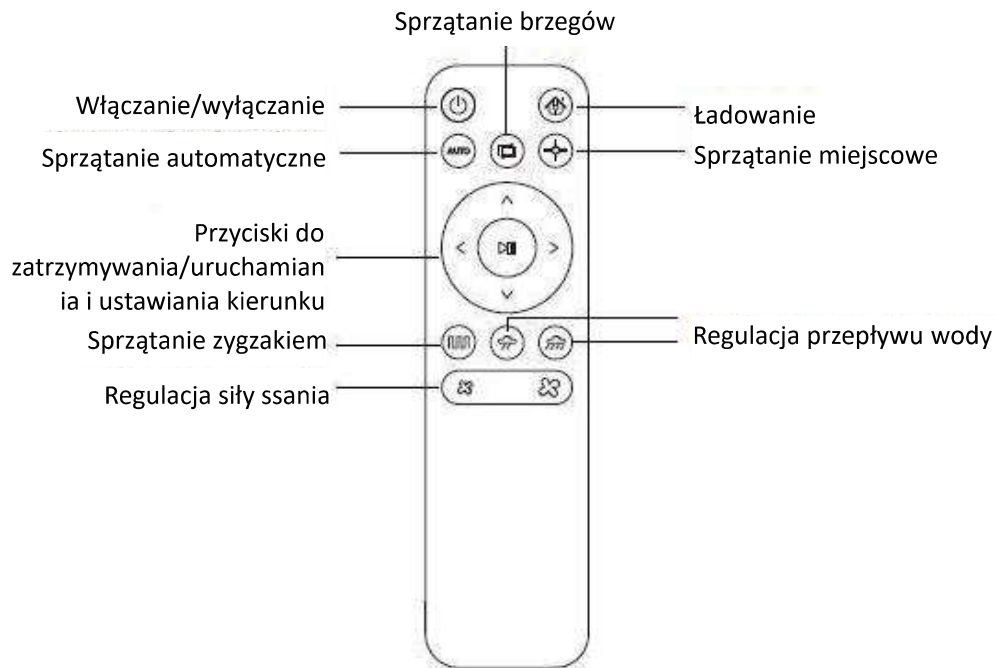
Pojemnik na śmieci



Dok ładowania



Pilot

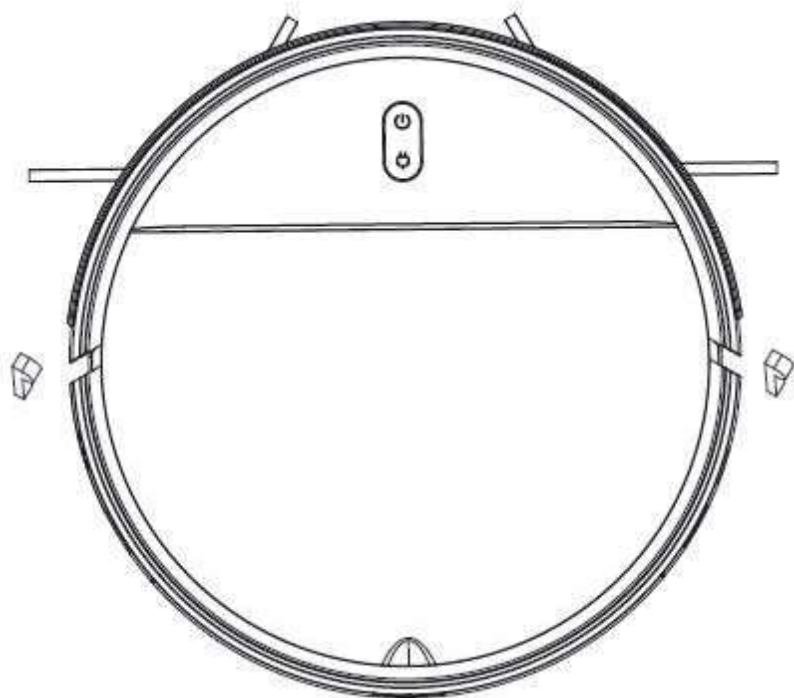


Przygotowanie

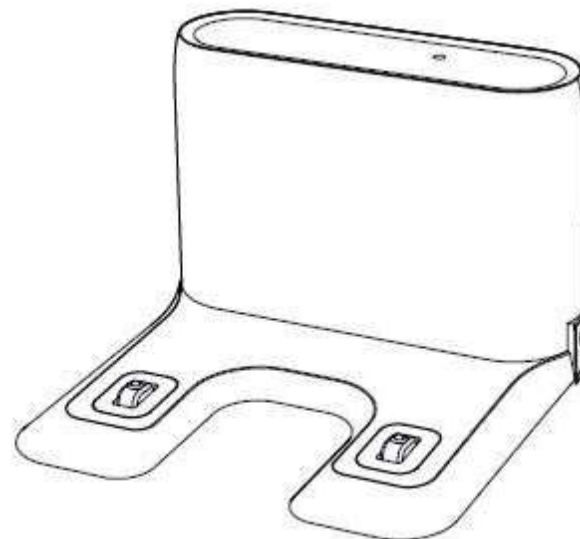
Usuwanie folii ochronnej

Przed użyciem odkurzacza należy zdjąć z niego folię ochronną.

Usuwanie folii ochronnej

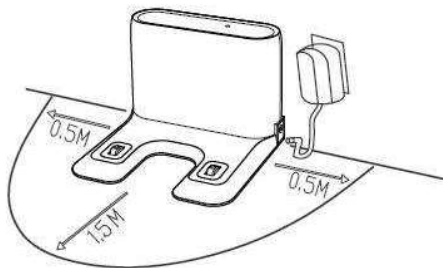


Usuwanie folii ochronnej

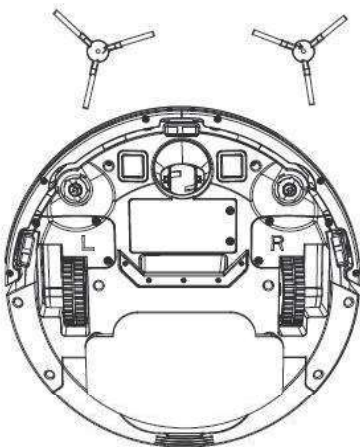


Użytkowanie produktu – ładowanie akumulatora robota odkurzającego

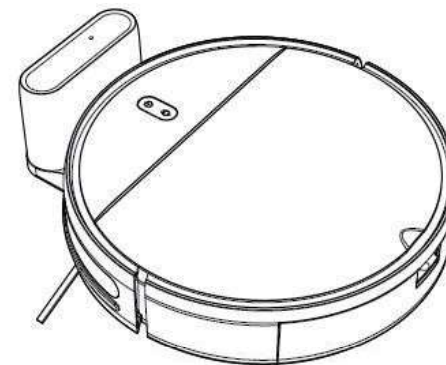
1. Umieścić dok ładowania na płaskiej powierzchni przy ścianie. Nie należy kłaść żadnych przedmiotów w odległości 0,5 m po lewej i prawej stronie doku ładowania ani 1,5 m z przodu doku ładowania.



2. Podłączyć dok ładowania do gniazda zasilającego.
3. Zamontować lewe i prawe szczotki boczne.




4. Ładowanie: Umieścić urządzenie główne w doku ładowania, aby je naładować. Podczas ładowania kontrolka miga. Po zakończeniu ładowania, kontrolka zaczyna świecić stałym światłem. Pełne naładowanie urządzenia głównego zajmuje około pięciu godzin.



Podczas sprzątania urządzenie główne automatycznie sprawdza poziom naładowania.

Jeżeli poziom naładowania jest niewystarczający, urządzenie główne uruchamia tryb powrotu do doku ładowania i automatycznie wraca do doku ładowania.

Można również nacisnąć przycisk  na pilocie zdalnego sterowania, aby aktywować tryb powrotu urządzenia głównego do doku ładowania.

Uwaga:

1. Nie stosować doku ładowania w środowisku z odbłyсками, np. w wystawionym na bezpośrednie działanie światła słonecznego i w miejscach w pobliżu luster. W przypadku występowania przedmiotu odblaskowego dok ładowania należy przykryć na wysokości 7 cm od dołu.
2. W celu zapewnienia normalnego czasu pracy urządzenia głównego przed użyciem należy je w pełni naładować. Pełne naładowanie zajmuje około pięciu godzin.
3. Aby zapewnić bezpieczeństwo ładowania i zapobiec uszkodzeniu podłogi mokrą ścierką, przed ładowaniem urządzenia głównego należy usunąć wodę ze zbiornika na wodę.

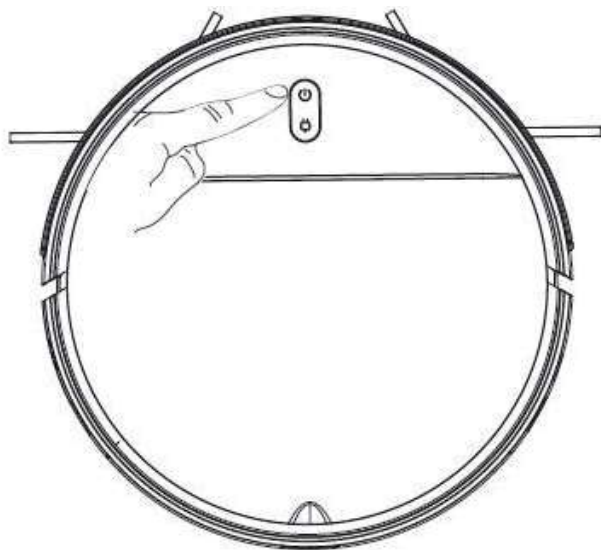
Użytkowanie produktu – rozpoczęcie sprzątanía

W różnych środowiskach sprzątanía niniejszy produkt oferuje wiele trybów sprzątanía do wyboru. Różne tryby sprzątanía można wybierać na urządzeniu głównym lub pilocie zdalnego sterowania.

Konstrukcja robota odkurzającego nie pozwala na forsowanie i pokonywanie stopni oraz progów drzwi.

Sprzątanía automatyczne

Sposób ustawiania: W stanie wyłączonego zasilania nacisnąć i przytrzymać przycisk włączenia zasilania. Po zaświeceniu się kontrolki urządzenia głównego sygnalizującej włączenie zasilania, jeszcze raz nacisnąć przycisk włączenia zasilania, aby włączyć sprzątanía automatyczne.



Sprzątanía miejscowe

Dostępne scenariusze: Ten tryb sprzątanía jest przeznaczony do miejsc podłogi, w których skoncentrowane są śmieci. Urządzenie główne sprząta podłogę spiralną ścieżką na określonym obszarze i wraca do punktu wyjścia po zakończeniu sprzątanía.

Sposób ustawiania: Nacisnąć przycisk  na pilocie, aby włączyć sprzątanía w ustalonych miejscach.

Sprzątanía brzegów

Dostępne scenariusze: Ten tryb sprzątanía jest przeznaczony do narożników wewnątrz pomieszczeń. Urządzenie główne sprząta podłogę wzdłuż brzegów stałych obiektów (na przykład ściany) i po zakończeniu wraca do doku ładowania.


Sposób ustawiania: Nacisnąć przycisk  na pilocie, aby włączyć sprzątanía wzdłuż brzegów.

Ręczne sterowanie

Dostępne scenariusze: Trasę i obszar sprzątanía można ustalać za pomocą przycisków kierunkowych na pilocie zdalnego sterowania.

Sposób ustawiania: Nacisnąć przycisk  na pilocie zdalnego sterowania, aby sterować ruchem produktu w przód, w tył lub wykonywać zakręty.

Użytkowanie produktu – zatrzymywanie, wybudzanie i wyłączenie

Zatrzymywanie: Podczas pracy urządzenia głównego, nacisnąć przycisk włączenia zasilania na urządzeniu głównym lub nacisnąć przycisk pauzy  na pilocie zdalnego sterowania, aby wstrzymać pracę urządzenia głównego.

Wybudzanie: Po 10 minutach wstrzymania działania urządzenia głównego system aktywuje tryb uśpienia (kontrolka urządzenia głównego gaśnie). Nacisnąć przycisk włączenia zasilania na urządzeniu głównym lub nacisnąć przycisk włączenia zasilania na pilocie zdalnego sterowania, aby ponownie uruchomić urządzenie główne.

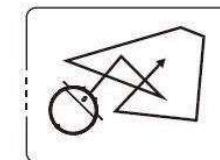
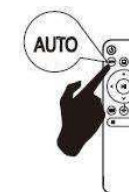
Wyłączanie zasilania: Po wstrzymaniu działania urządzenia głównego nacisnąć i przytrzymać przycisk włączania zasilania na urządzeniu głównym. Jeśli kontrolka urządzenia głównego nie świeci się, produkt jest wyłączony.

* Po zakończeniu pracy urządzenia głównego radzimy nie wyłączać urządzenia głównego. Należy utrzymać urządzenie główne w stanie ładowania, dzięki czemu będzie pracować lepiej następnym razem.

Tryby sprzątania

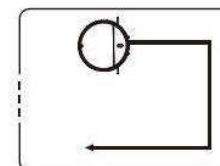
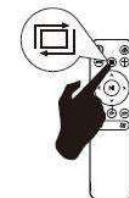
1. Sprzątanie automatyczne

Robot wykonuje losowe sprzątanie przez 90 minut, po czym sprzątanie kończy się, a urządzenie automatycznie powraca do doku ładowania na ładowanie.



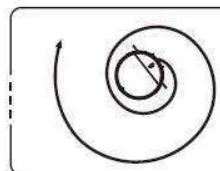
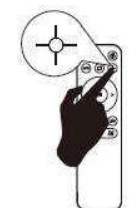
2. Sprzątanie brzegów

Robot wykonuje sprzątanie brzegów w odległości poniżej 2 cm od ściany.



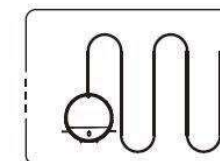
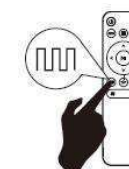
3. Sprzątanie miejscowe

Robot rozpoczyna sprzątanie ruchem spiralnym na zewnątrz, następnie porusza się ruchem spiralnym do wewnątrz po osiągnięciu maksymalnego promienia 0,6 metra. Robot kończy sprzątanie po powrocie do punktu wyjścia.



4. Sprzątanie zygakiem

W trybie sprzątania zygakiem, najdłuższa odległość sprzątania w linii prostej wynosi 5 metrów.



Użytkowanie produktu – podłączanie Wi-Fi

1. Pobieranie aplikacji / rejestracja

Zeskanuj kod QR tutaj lub wyszukaj „Tuya Smart” w sklepie z aplikacjami i pobierz ją. Zarejestruj konto postępując zgodnie z instrukcją obsługi aplikacji.

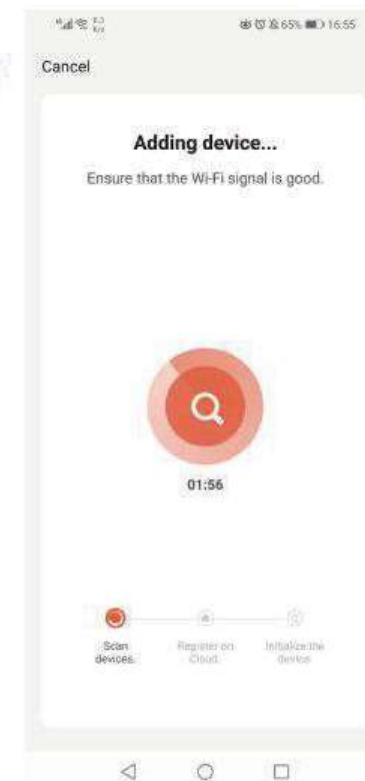
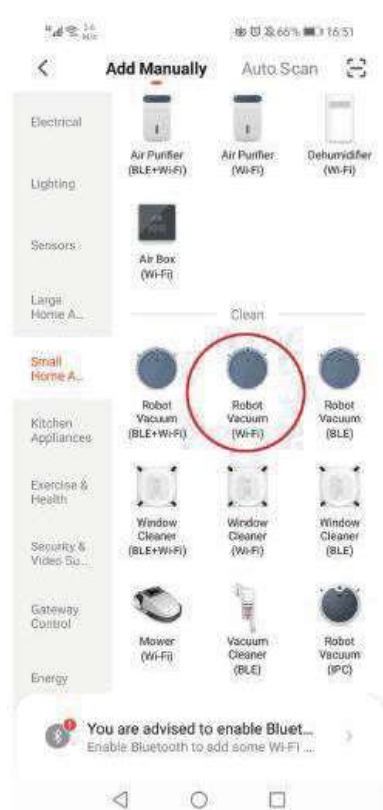
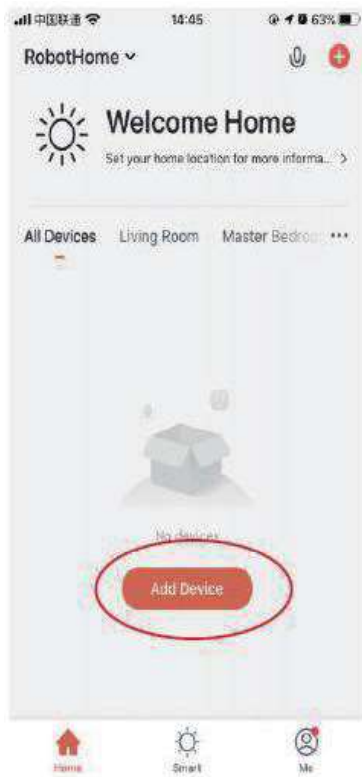


2. Połączenie Wi-Fi

Dostępne są dwa tryby połączenia Wi-Fi. **Tryb EZ** i **tryb AP**.

(1) Tryb EZ:

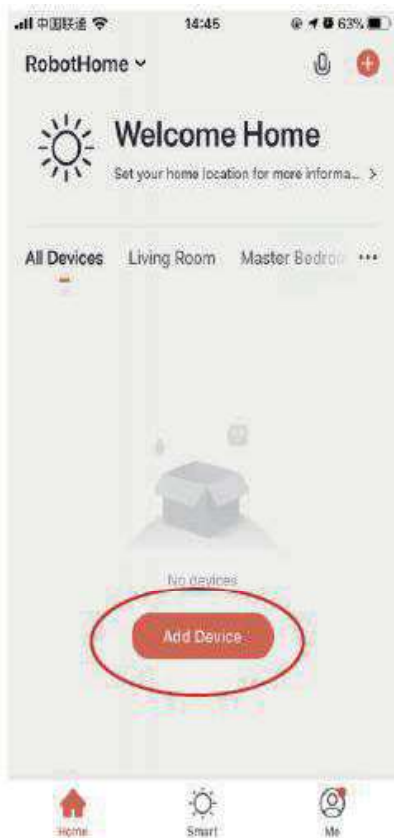
1. Włącz zasilanie robota, a następnie naciśnij i przytrzymaj przycisk ładowania przez 3 sekundy, aby wejść do trybu EZ – usłyszysz sygnał dźwiękowy. Kontrolka zasilania zaświeca się na żółto i miga.



2. Zaloguj się w aplikacji Tuya i kliknij „Dodaj urządzenie”.
3. Wybierz „Mały sprzęt AGD”, a następnie wybierz „Robot odkurzający Wi-Fi”.
4. Wybierz sieć 2,4 GHz Wi-Fi i wprowadź nazwę Wi-Fi i hasło, a następnie kliknij „Dalej”.
5. Wybierz tryb EZ, kliknij „Potwierdź, że kontrolka miga z wysoką częstotliwością” i „Dalej”, aby poczekać na wynik łączenia.

(2) Tryb AP:

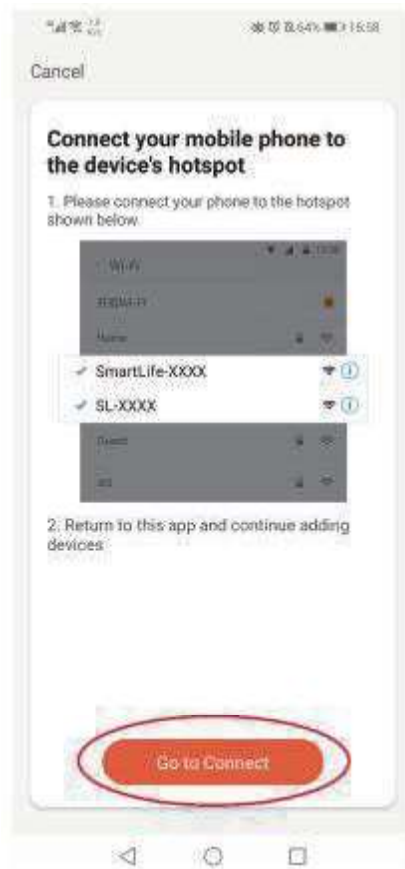
1. Włącz zasilanie robota, naciśnij i przytrzymaj przycisk ładowania przez 6 sekund, aby wejść do trybu AP – usłyszysz dwa sygnały dźwiękowe. Kontrolka zasilania zaświeca się na żółto i miga.



2. Zaloguj się w aplikacji Tuya i kliknij „Dodaj urządzenie”.

3. Wybierz „Mały sprzęt AGD”, a następnie wybierz „Robot odkurzający Wi-Fi”.

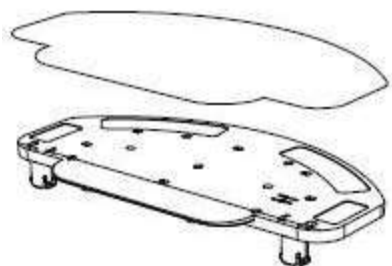
4. Wybierz sieć 2,4 GHz Wi-Fi i wprowadź nazwę Wi-Fi i hasło, a następnie kliknij „Dalej”.



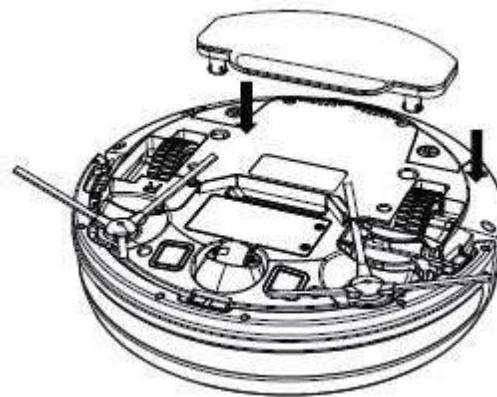
5. Wybierz tryb AP i kliknij „Potwierdź, że kontrolka miga z niską częstotliwością”, a następnie „Dalej”.
6. Następnie połącz się z hotspotem Wi-Fi, którego nazwa zaczyna się od „SmartLife XXX”.
7. Po połączeniu z hotspotem Wi-Fi, wróć do interfejsu aplikacji Tuya i poczekaj na wynik łączenia z robotem.

Użytkowanie produktu – montaż uchwyty mopa

A. Zamontuj ścierkę mopa do uchwyty mopa;



B. Zamontuj uchwyt mopa do robota;

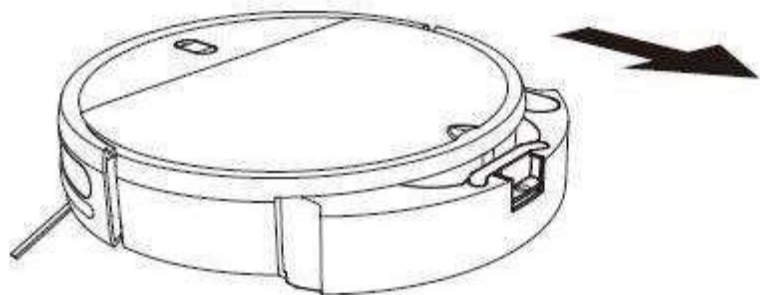


Użytkowanie produktu – zbiornik na wodę

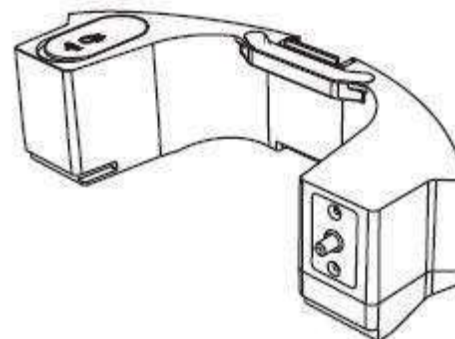
* Nie stosować funkcji mycia mopem na dywanach.

* Po zakończeniu mycia mopem umyj zbiornik na wodę i w odpowiednim czasie wymontuj ścierkę mopa.

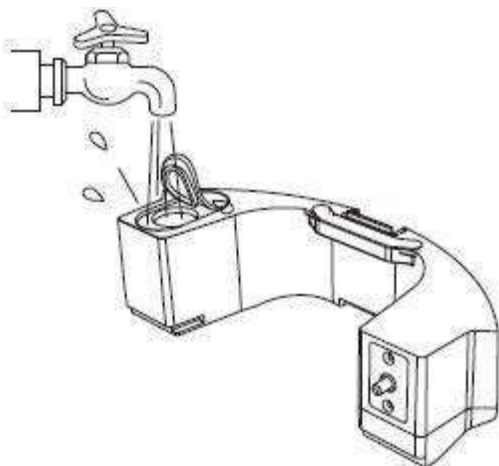
A. Wyjmij zbiornik na wodę.



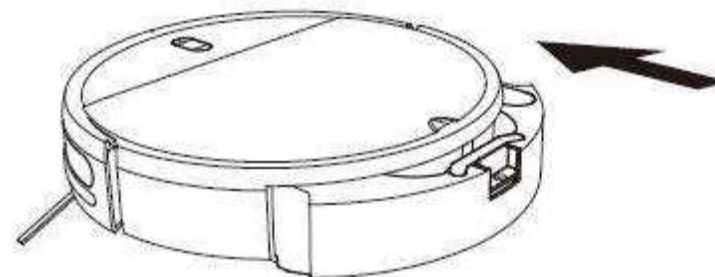
C. Spłaszcz gumową zaślepkę.



B. Zdejmij zaślepkę żelu krzemionkowego i wlej wodę.

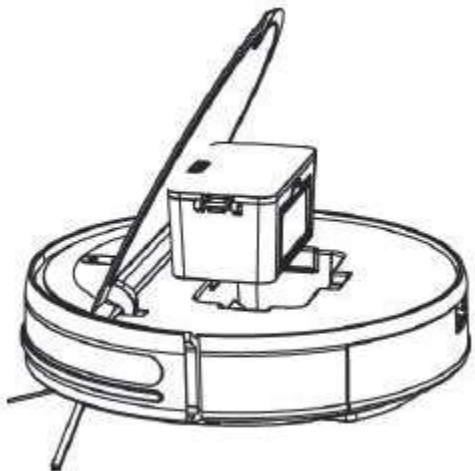


D. Zamontuj zbiornik na wodę w robocie.



Konserwacja części – pojemnik na śmieci

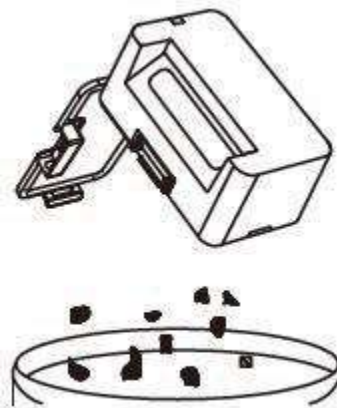
A. Naciśnij przycisk na pojemniku na śmieci, aby go wyjąć.



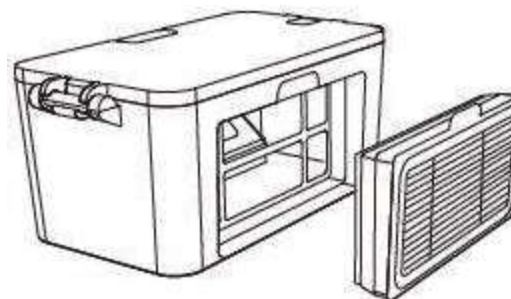
B. Otwórz boczną pokrywę pojemnika na śmieci.



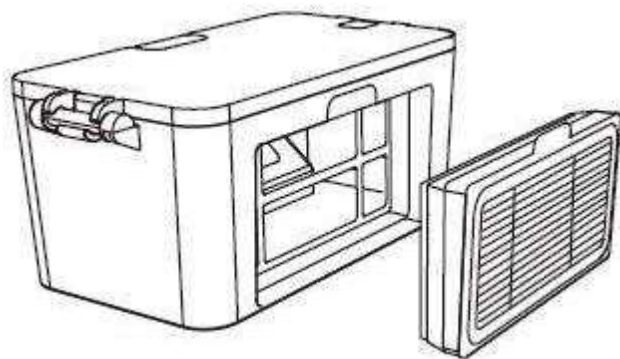
C. Wyrzuć śmieci.



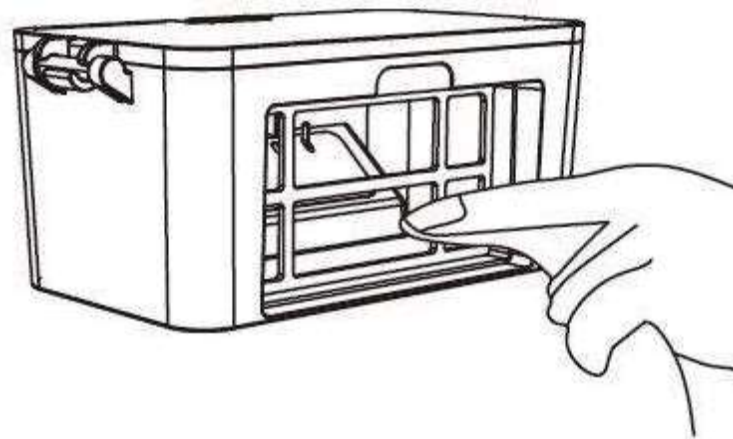
D. Wyjmij filtr HEPA.



E. Postukaj filtr HEPA, aby usunąć kurz.



G. Przetrzyj pojemnik na śmieci szmatką.

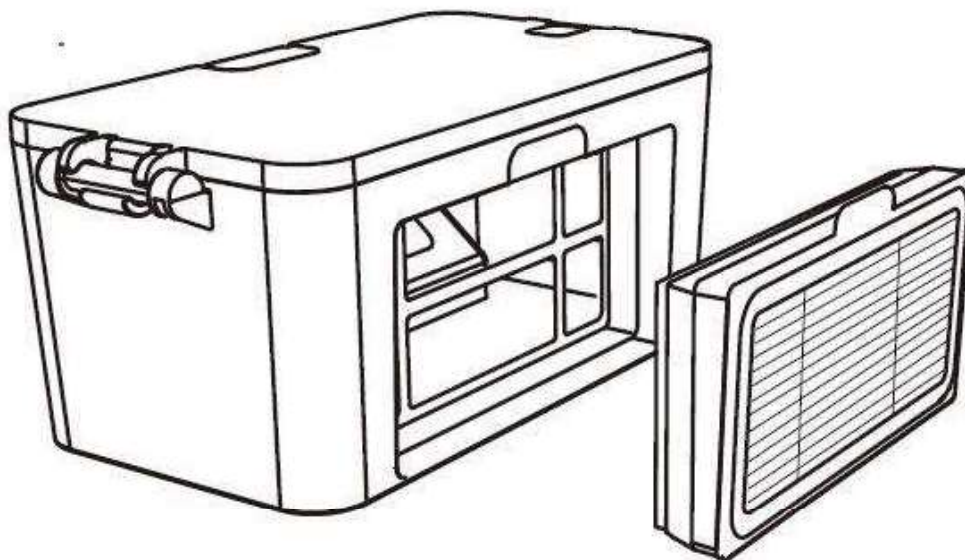
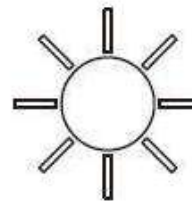


F. Umyj filtr HEPA.



H. Wyszusz pojemnik na śmieci i wkład filtra, aby zapewnić ich trwałość eksploatacyjną.

Uwaga: Zalecamy mycie filtra HEPA co 15 do 30 dni. Maksymalna trwałość eksploatacyjna filtra HEPA wynosi trzy miesiące.



I. Włóż filtr HEPA z powrotem do pojemnika na śmieci.

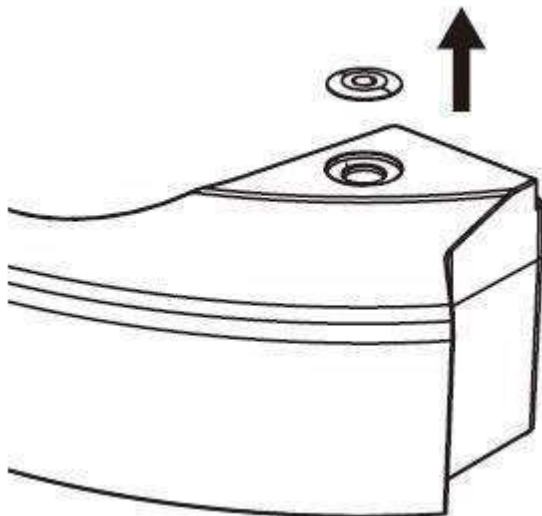
Uwaga: 1. Przed zamontowaniem filtra HEPA, upewnij się, czy filtr HEPA jest suchy.

2. Nie wystawiaj filtra HEPA na działanie światła słonecznego

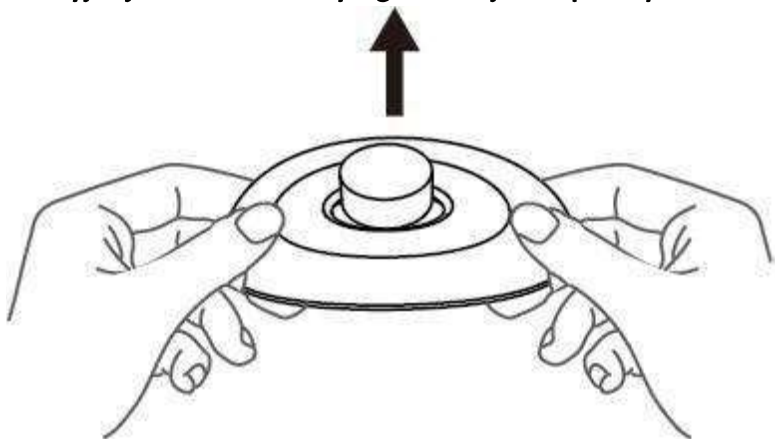
J. Zamknij pokrywę pojemnika na śmieci i zamontuj pojemnik na śmieci do urządzenia głównego.

Konserwacja części – filtr bawełniany

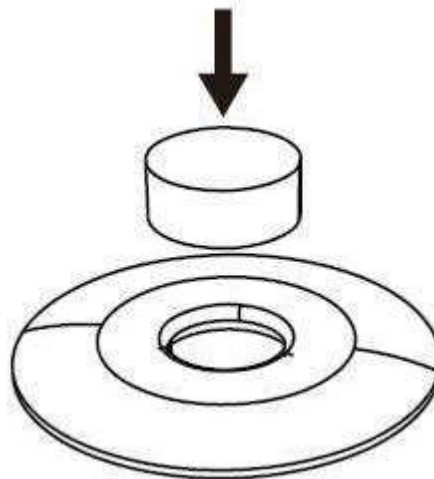
A. Wyjmij gumową zaślepkę wylotu.



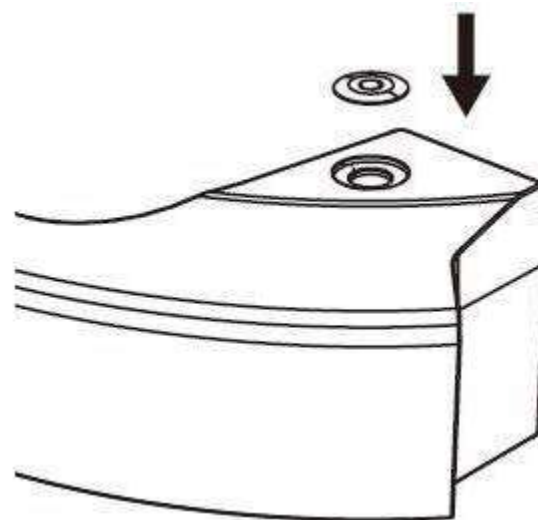
B. Wyjmij filtr bawełniany z gumowej zaślepki wylotu.



C. Zastąp ją nowym filtr bawełnianym.



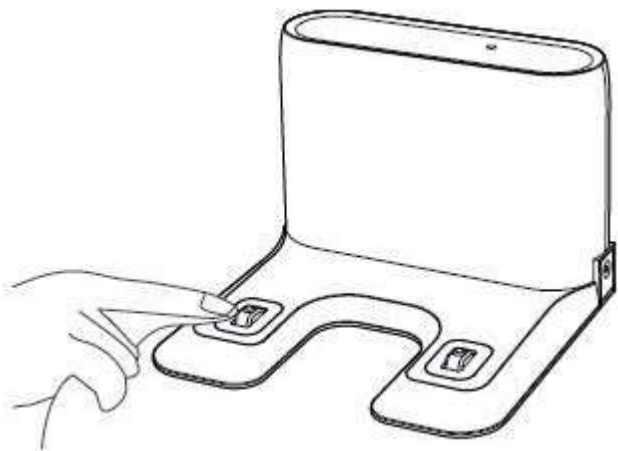
D. Zamontuj gumową zaślepkę wylotu.



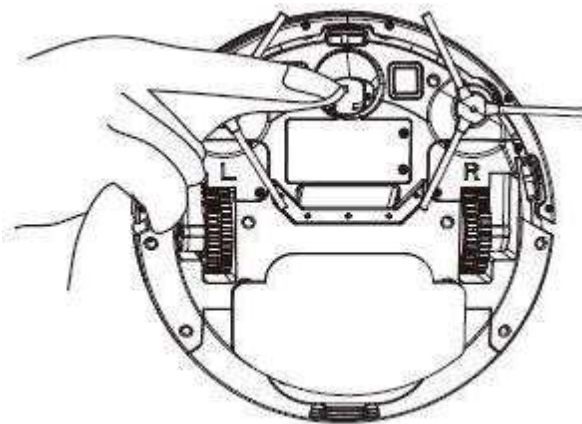
Konserwacja części – elektroda ładowania, dolny czujnik optyczny, kółko napędowe i kółko uniwersalne

Uwaga: Elektroda ładowania, dolny czujnik optyczny i zderzak zawierają czułe elementy elektroniczne. Do czyszczenia tych części należy użyć suchej szmatki. Nie należy stosować mokrej szmatki, ponieważ woda może dostać się do części i spowodować uszkodzenia.

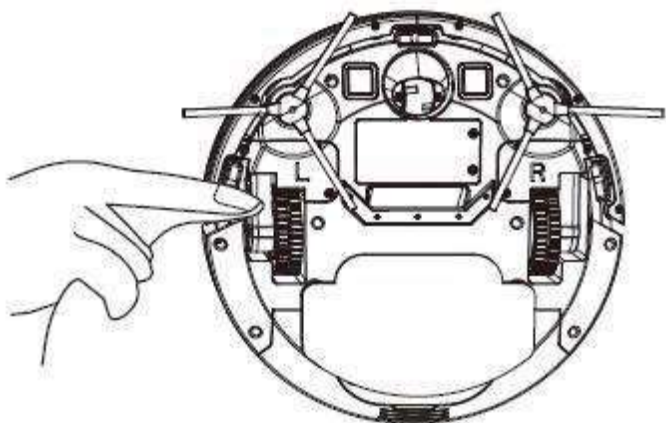
Czyszczenie elektrody ładowania



Czyszczenie kółka napędowego i kółka uniwersalnego



Czyszczenie dolnego czujnika optycznego



- * W przypadku nieużywania produktu przez dłuższy czas przed rozpoczęciem przechowywania należy w pełni naładować akumulator, a następnie wyłączyć zasilanie produktu. Aby zapobiec nadmiernemu rozładowaniu akumulator produktu, należy ładować go co trzy miesiące.
- * Jeśli akumulator ulegnie nadmiernemu rozładowaniu lub nie będzie używany przez dłuższy czas, akumulator produktu może utracić zdolność do ładowania. Skontaktuj się z personelem obsługi posprzedażnej firmy w celu wykonania konserwacji. Nie rozmontowuj produktu.

Kontrolka

Robot ma dwie kontrolki: górną, sygnalizującą włączenie zasilania, i dolną, sygnalizującą ładowanie. Kontrolka ma trzy kolory: czerwony, zielony i żółty. Kontrolka może się nie świecić, świecić stałym światłem albo migać z wysoką lub niską częstotliwością.

Element	Stan urządzenia	Stan kontrolki			
		Zasilanie		Ładowanie	
		Kolor	Status	Kolor	Status
1	Włączenie zasilania	Zielony	Światło stałe		Wył.
2	Wyłączenie zasilania		Wył.		Wył.
3	Sprzątanie	Zielony	Wył.		Wył.
4	Ładowanie	Zielony	Światło stałe	Żółta	Światło stałe
5	Niski poziom energii akumulatora – ładowanie	Zielony	Światło stałe	Czerwony	Światło stałe
6	Ładowanie w toku	Zielony	Światło stałe	Zielony	Miganie z niską częstotliwością
7	Ładowanie zakończone	Zielony	Światło stałe	Zielony	Światło stałe
8	Wi-Fi AP	Zielony	Miganie z wysoką częstotliwością	Zielony	Miganie z wysoką częstotliwością
9	Wi-Fi połączone	Zielony	Światło stałe		Wył.
10	Ostrzeżenie	Czerwony	Miganie z wysoką częstotliwością		Wył.
11	Tryb gotowości	Zielony	Światło stałe		Wył.
12	Tryb uśpienia		Wył.		Wył.
13	Niski poziom energii akumulatora	Czerwony	Miganie z wysoką częstotliwością		Wył.
14	Nie skalibrowano	Czerwony	Miganie z wysoką częstotliwością	Czerwony	Miganie z wysoką częstotliwością
15	Skalibrowano	Zielony	Światło stałe		Wył.

Specyfikacja produktu

Kategoria	Element	Dane techniczne
Budowa	Średnica	300 mm
	Wysokość	74 mm
Akumulator	Masa netto	2,5 kg
	Pojemność akumulatora	14,4 V
	Akumulator	Akumulator litowy 2500 mAh
Parametry	Pojemność pojemnika na śmieci	200 ml
	Rodzaje ładowania	Ładowanie automatyczne i ładowanie ręczne
	Tryby sprzątania	Sprzątanie automatyczne, sprzątanie miejscowe, sprzątanie brzegów
	Czas ładowania	Okolo 300 minut
	Czas sprzątania	Okolo 100 minut
Urządzenie główne	Moc znamionowa (W)	28
	Napięcie robocze (V)	14,4

* Ze względu na ciągłe doskonalenie produktu, specyfikacje rzeczywistego produktu mogą być inne. Nasza firma zastrzega sobie prawo do aktualizacji produktu.

Uwaga: wszystkie produkty mogą zostać zmienione bez uprzedzenia. Zastrzegamy sobie prawo do błędów i pomyłek w tym podręczniku.

WSZELKIE PRAWA ZASTRZEŻONE. COPYRIGHT DENVER A/S



denver.eu



Sprzęt elektryczny i elektroniczny oraz dołączone baterie zawierają materiały, elementy i substancje, które mogą być szkodliwe dla zdrowia ludzi i niebezpieczne dla środowiska naturalnego w przypadku nieprawidłowego obchodzenia się z takim zużytym sprzętem elektrycznym i elektronicznym oraz bateriami.

Urządzenia elektryczne i elektroniczne oraz baterie są oznaczone przekreślonym symbolem kosza na śmieci, patrz wyżej. Ten symbol oznacza, że zużytego sprzętu elektrycznego i elektronicznego oraz baterii nie wolno utylizować razem z odpadami komunalnymi, ale należy je utylizować osobno.

Użytkownik jest zobowiązany do przekazania zużytych baterii do punktu selektywnej zbiórki odpadów. Dzięki temu baterie będą poddawane recyklingowi zgodnie z obowiązującymi przepisami i w sposób bezpieczny dla środowiska.

We wszystkich miejscowościach wyznaczono punkty selektywnej zbiórki odpadów, a także inne miejsca, w których można bezpłatnie zostawić zużyty sprzęt elektryczny i elektroniczny oraz baterie. Odpady tego rodzaju mogą też być odbierane z gospodarstw domowych. Dodatkowe informacje dostępne są w urzędzie odpowiedzialnym za usuwanie odpadów.

Denver A/S niniejszym oświadcza, że typ urządzenia RVC-110 jest zgodny z dyrektywą 2014/53/EU. Pełny tekst deklaracji zgodności UE jest dostępny pod następującym adresem internetowym: denver.eu. Kliknij IKONĘ wyszukiwania na górze strony. Należy wprowadzić numer modelu: RVC-110. Następnie należy wyświetlić stronę produktu. Dyrektywa dotycząca sprzętu radiowego powinna znajdować się w sekcji plików do pobrania.

Zakres częstotliwości pracy: 2400MHz-2483.5MHz

Maks. moc wyjściowa: 19dBm

DENVER A/S

Omega 5A, Soeften

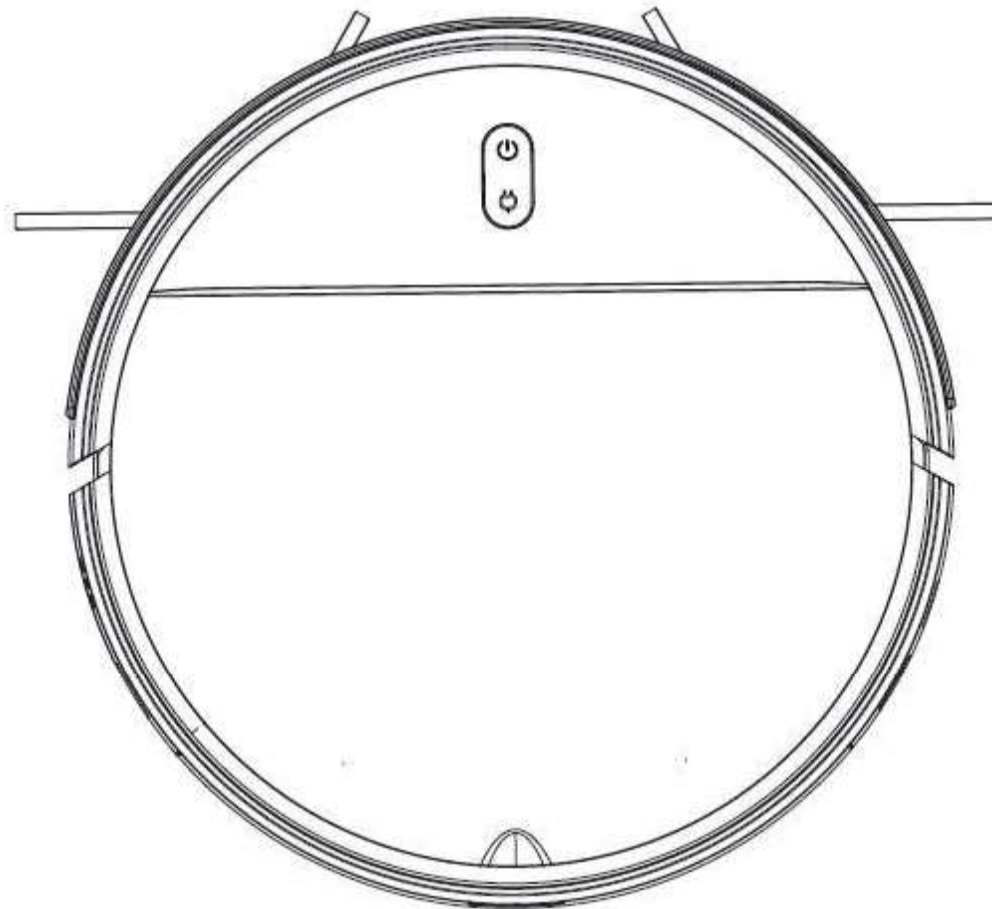
DK-8382 Hinnerup

Dania

www.facebook.com/denver.eu

Upute za uporabu robotskog usisivača

Model: RVC-110



www.denver.eu

facebook.com/Denver.eu

Sigurnosne upute

Prije prve uporabe pažljivo pročitajte sigurnosne upute te ih sačuvajte za ubuduće.

1. Proizvod držite izvan dohvata djece i kućnih ljubimaca kako ih ne bi žvakali ili progutali.
2. Upozorenje: Proizvod sadrži litij-ionsku bateriju.
3. Nikad ne otvarajte proizvod. Ovaj proizvod može rastaviti samo kvalificirano osoblje. Ne preporučuje se da korisnici sami servisiraju ili popravljaju proizvod
4. Punite samo isporučenim punjačem. Ne koristite dodatnu opremu koja nije originalna s proizvodom jer to može dovesti do nepravilnog rada proizvoda.
5. Kad je proizvod u načinu čišćenja, nemojte dodirivati utičnice za žice ili dijelove tijela.
6. Nemojte sjesti na proizvod
7. Prije korištenja ovog proizvoda uklonite sve vrijedne predmete kao što su svjetiljke, stakleni predmeti, zavjese i drugi predmeti u koje se mogu zapletiti četkice ili usisni prolaz za zrak.
8. Nemojte savijati žice ili postavljati teške predmete na uređaj.
9. Ovo je kućanski proizvod. Proizvod je namijenjen uporabi u zatvorenim i suhim prostorima. Nemojte ga koristiti na otvorenom.
10. Nemojte koristiti proizvod u mokrim okruženjima poput kupaonica
11. Obavijestite druge članove kućanstva da proizvod čisti kako bi se spriječile nesreće.
12. Ispraznite kutiju za prašinu prije korištenja. Puna kutija za prašinu utjecat će na učinkovitost čišćenja i smanjiti sposobnost usisavanja.
13. Radna temperatura proizvoda i temperatura skladištenja iznosi od 0 do 40 °C. Okruženja ispod i iznad ove temperature mogu utjecati na funkcionalnost.
14. Koristite samo izvornu bateriju i ležište za punjenje koje je isporučio dobavljač. Strogo je zabranjeno korištenje nepunjivih baterija. Specifikacije baterija pogledajte u odjeljku „parametri proizvoda“.
15. Nemojte koristiti proizvod u okruženjima gdje je prisutan otvoreni plamen ili krhki proizvodi
16. Zabranjeno je koristiti proizvod u ekstremno vrućim (iznad 40 stupnjeva) ili ekstremno hladnim (ispod 0 stupnjeva) temperaturama. Jamstvo ne pokriva oštećenja izazvana time.
17. Nemojte dodirivati proizvod kad je uključen i čisti. Kosu, odjeću, prste i druge dijelove tijela držite podalje od otvora proizvoda
18. Proizvod ne može usisati kameni ili papirnati otpad jer bi mogli začepiti proizvod
19. Proizvod ne može usisavati predmete koji gore, poput cigareta, šibica, pepela itd., a koji mogu uzrokovati požar
20. Držite svoj proizvod podalje od zapaljivih tvari poput tonera za pisač i fotokopirni uređaj te drugih zapaljivih tekućina
21. Nemojte postavljati predmete u usisni otvor. Nemojte koristiti proizvod kada je usisni proizvod blokiran. Očistite prašinu, dlačice pamučne vune itd. kod usisnog otvora kako bismo osigurali glatki protok zraka kroz otvor.
22. Pažljivo koristite kabel za napajanje kako biste izbjegli oštećenje. Nemojte izvlačiti, povlačiti ili koristiti kabel za napajanje kao ručku kad pomičete ležište za punjenje.
23. Nemojte postavljati kabel za napajanje u otvor vrata ili druga mjesta gdje može uzrokovati štetu. Pobrinite se da oko kabela za napajanje i ležišta za punjenje ima dovoljno slobodnog prostora.
24. Nemojte koristiti oštećeno ležište za punjenje ili kabel za napajanje

25. Upozorenje: Daljinski upravljač sadrži AAA baterije. U daljinskom upravljaču koristite samo AAA baterije.
26. Nemojte istodobno koristiti stare i nove baterije ili baterije različitih vrsta. Uklonite baterije kad dulje vrijeme ne koristite proizvod. Provjerite polaritet (+/-) baterija prilikom umetanja u proizvod. Pogrešno postavljanje može uzrokovati eksploziju. Baterije nisu priložene.
27. Adapter stanice za napajanje koristi se kao uređaj za isključivanje i ostat će spreman za rad. Ostavite dovoljno prostora oko utičnice kako biste imali jednostavan pristup.

Sastav proizvoda – sadržaj paketa



1x robotski usisivač



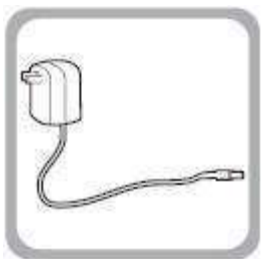
1x stanica za punjenje



2x baterije



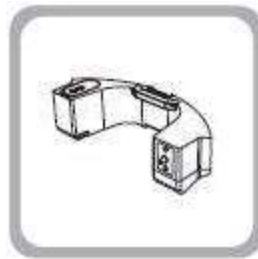
1x daljinski upravljač



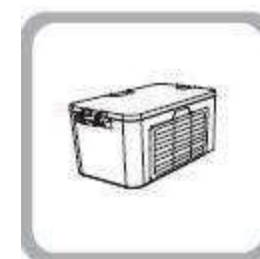
1x prilagodnik



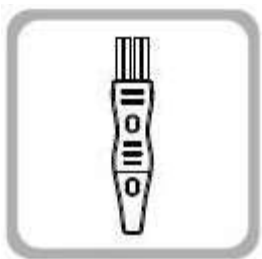
1x sklop držača brisača



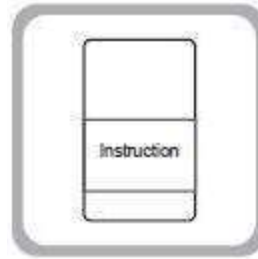
1x spremnik za vodu



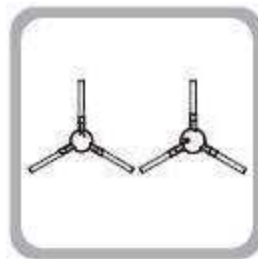
1x koš za smeće



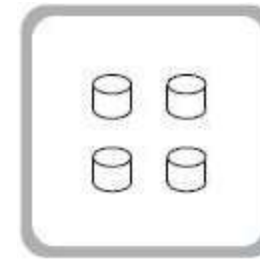
1x četka za čišćenje



1x upute za uporabu



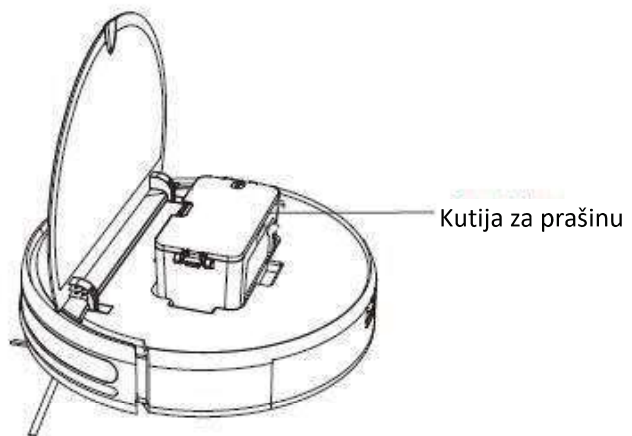
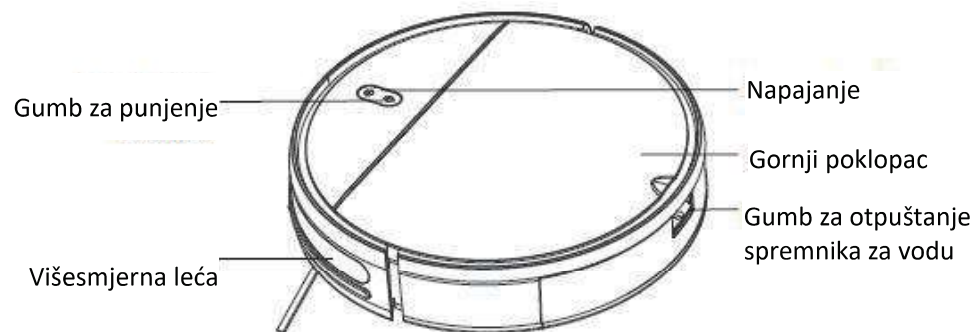
2x bočne četke



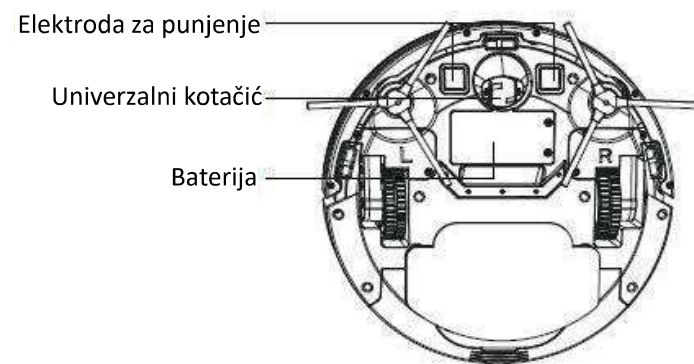
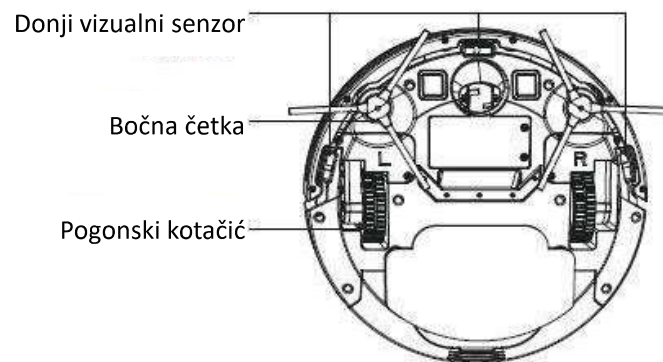
4x pamučni filtri

Sastav proizvoda – opis dijelova

Prednja strana glavne jedinice



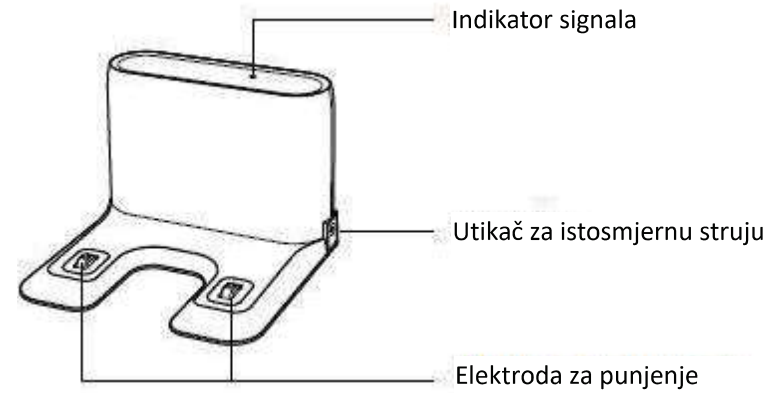
Stražnja strana glavne jedinice



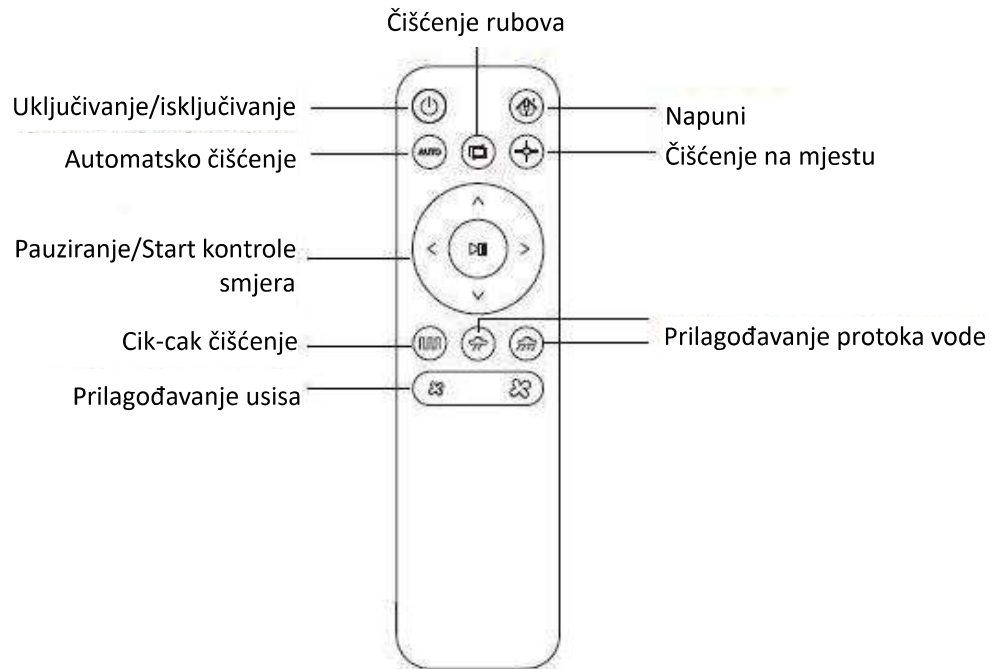
Kutija za prašinu



Stanica za punjenje



Daljinski upravljač

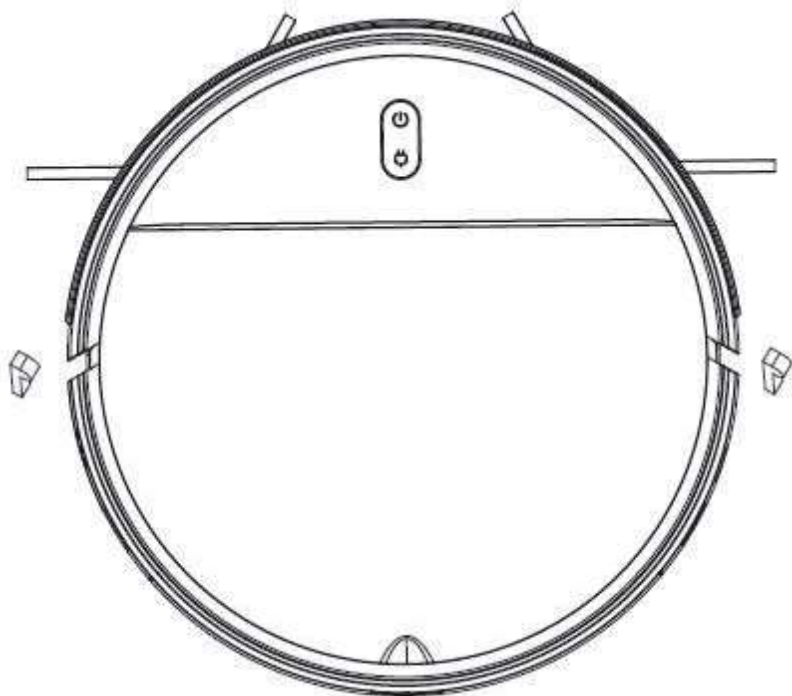


Pripreme

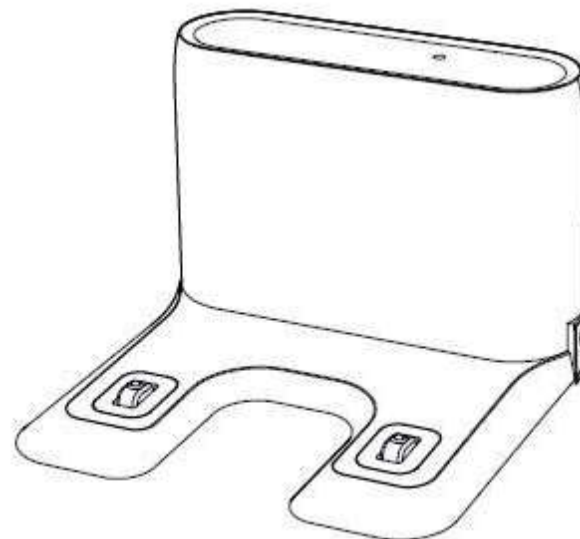
Uklanjanje zaštitnih traka

Prije korištenja usisivača uklonite zaštitne trake s usisivača.

Uklanjanje zaštitnih traka

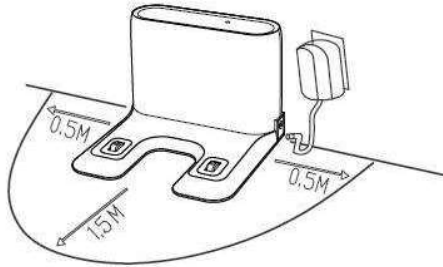


Uklanjanje zaštitne folije

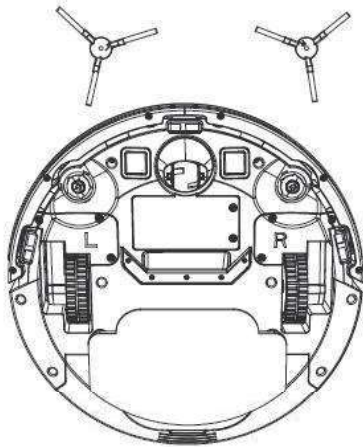


Korištenje proizvoda – napunite robotski usisivač

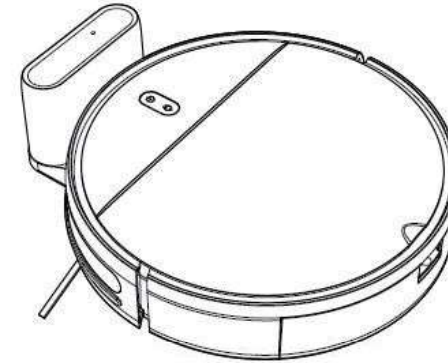
1. Stanicu za punjenje postavite na ravni pod uzid. Nemojte postavljati bilo kakve predmete 0,5 m lijevo ili desno od stanice za punjenje ili 1,5 m ispred stanice za punjenje.



2. Spojite stanicu za punjenje na strujno napajanje.
3. Ugradite lijevu ili desnu bočnu četku.




4. Punjenje: Postavite glavnu jedinicu na stanicu za punjenje kako biste napunili glavnu jedinicu. Tijekom punjenja indikator treperi. Nakon dovršetka punjenja indikator će svijetliti stalnim svjetlom. Potrebno je oko pet sati za punjenje glavne jedinice do kraja.



Tijekom čišćenja glavna jedinica automatski će provjeravati razinu napunjenosti.

Ako je baterija gotovo prazna, glavna jedinica aktivira način povratka na stanicu za punjenje i uređaj se automatski vraća kako bi se napunio.

U suprotnom, možete pritisnuti gumb  na daljinskom upravljaču kako biste naložili glavnoj jedinici da aktivira način povratka na stanicu za punjenje.

Oprez:

1. Nemojte koristiti stanicu za punjenje u okruženjima gdje ima reflektirajućih predmeta, odnosno gdje je izložena izravnoj sunčevoj svjetlosti ili gdje se nalaze zrcala. Ako ima predmeta koji reflektiraju svjetlost, pokrijte stanicu za punjenje na visini od 7 cm od dna.
2. Kako biste osigurali normalno trajanje rada glavne jedinice, do kraja napunite glavnu jedinicu prije korištenja. Vrijeme punjenja je oko pet sati.
3. Kako biste osigurali sigurnost punjenja i spriječili da vlažna krpa ošteti pod, uklonite spremnik za vodu prije punjenja glavne jedinice.

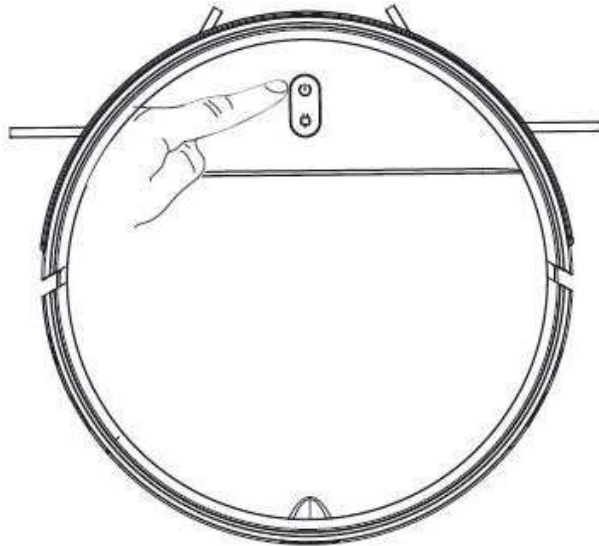
Korištenje proizvoda – počnite čistiti

Za različite zahtjeve čišćenja ovaj proizvod nudi izbor između više načina čišćenja. Možete koristiti različite načine čišćenja putem glavne jedinice ili daljinskog upravljača.

Robot usisivač ne može silom prevladati pragove.


Automatsko čišćenje

Metoda postavljanja: U isključenom stanju pritisnite i držite gumb napajanja. Nakon što se upali indikator glavne jedinice koji pokazuje da je glavna jedinica uključena, ponovno pritisnite gumb napajanja kako biste omogućili automatsko čišćenje.




Čišćenje na mjestu

Primjenjivi scenarij: ovaj način čišćenja primjenjiv je na tlu gdje je koncentrirano smeće. Glavna jedinica čisti tlo u spiralnoj putanji na navedenom području i vraća se na izvornu točku nakon čišćenja.

Metoda postavljanja: Na daljinskom upravljaču pritisnite tipku  kako biste omogućili čišćenje fiksne točke.


Čišćenje rubova

Primjenjivi scenarij: Ovaj način čišćenja odnosi se na unutarnje kutove. Glavna jedinica čisti tlo uz rubove fiksnih objekata (na primjer, zid) i vraća se na stanicu za punjenje nakon čišćenja.


Metoda postavljanja: Na daljinskom upravljaču pritisnite tipku  kako biste omogućili čišćenje uzduž rubova.

Ručno upravljanje

Primjenjivi scenarij: Upravlajte rutom i područjem čišćenja korištenjem gumba smjera na daljinskom upravljaču.

Metoda postavljanja: Na daljinskom upravljaču pritisnite tipku  kako biste upravljali kretanjem proizvoda unaprijed, unatrag ili kod skretanja.

Korištenje proizvoda – pauza, buđenje i isključivanje

Pauza: Kada glavna jedinica radi, pritisnite tipku napajanja na glavnoj jedinici ili pritisnite tipku za pauzu  na daljinskom upravljaču kako biste zaustavili rad glavne jedinice.

Buđenje: Nakon što glavna jedinica prestane s radom na dulje od 10 minuta, aktivira se način spavanja (indikator glavne jedinice je isključen). Pritisnite gumb napajanja na glavnoj jedinici kako biste je probudili ili pritisnite tipku napajanja na daljinskom upravljaču za ponovno pokretanje glavne jedinice.

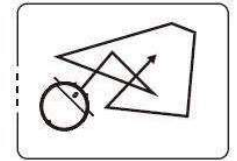
Isključivanje: Nakon zaustavljanja glavne jedinice pritisnite i držite gumb napajanja na glavnoj jedinici. Ako je indikator glavne jedinice isključen, proizvod je isključen.

* Nakon dovršetka rada glavne jedinice preporučuje se da ne ugasite glavnu jedinicu. Držite glavnu jedinicu u statusu čišćenja tako da bolje radi sljedeći puta.

Načini čišćenja

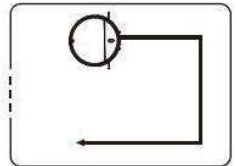
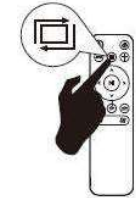
1. Automatsko čišćenje

Robot nasumce čisti 90 minuta, a nakon kraja čišćenja automatski se vraća na stanicu za punjenje radi punjenja.



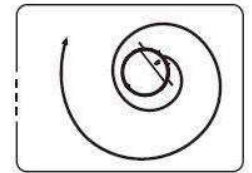
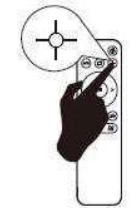
2. Čišćenje rubova

Robot čisti rub na udaljenosti manjoj od 2 cm od zida.



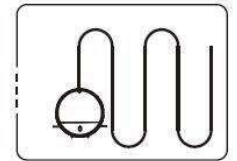
3. Čišćenje na mjestu

Robot započinje spiralno kretanje prema van, a zatim se kreće spiralno prema unutra nakon što dosegne maksimalni polumjer od 0,6 m. Robot završava čišćenje nakon povratka na početnu točku.



4. Cik-cak čišćenje

Kod cik-cak čišćenja najveća udaljenost čišćenja je 5 metara u ravnoj liniji.



Korištenje proizvoda – Wi-Fi veza

1. Preuzimanje aplikacije/registriranje

Ovdje skenirajte QR kod ili u trgovini aplikacija potražite aplikaciju „Tuya Smart“ i preuzmite je. Slijedite upute za uporabu aplikacije kako biste registrirali račun.

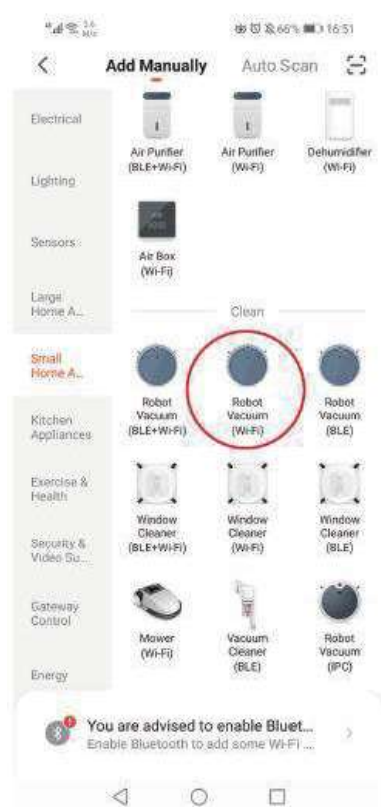
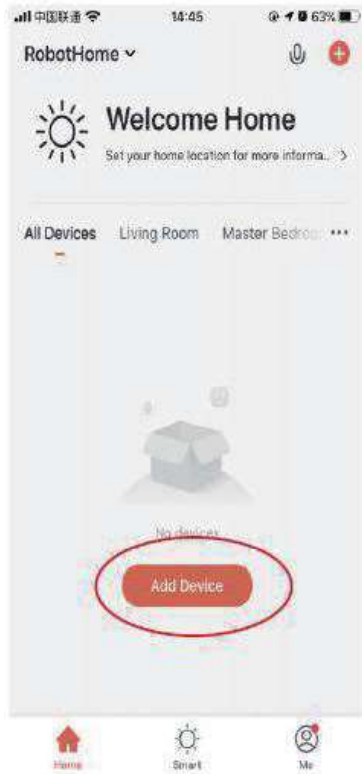


2. Wi-Fi veza

Postoje dva načina povezivanja putem Wi-Fi veze: **EZ način rada** i **AP način rada**.

(1) EZ način rada:

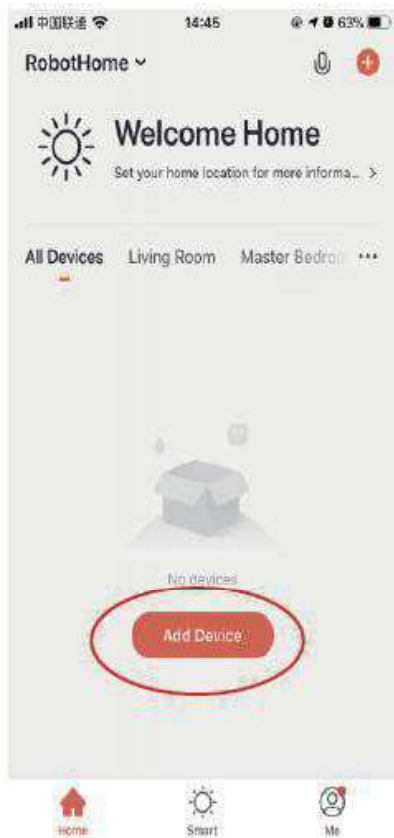
1. Uključite robot, pritisnite i držite gumb za punjenje na 3 sekunde kako biste ušli u EZ način rada i čut ćete zvučni signal. Uključit će se žuto indikatorsko svjetlo napajanja i početak će treptati.



2. Prijavite se na aplikaciju Tuya i kliknite „Dodaj uređaj“.
3. Odaberite „Mali kućanski uređaj“, a zatim odaberite „Wi-Fi robotski usisivač“.
4. Odaberite 2,4 GHz Wi-Fi mrežu i unesite naziv i lozinku Wi-Fi mreže, a zatim kliknite „Dalje“.
5. Odaberite EZ način rada, kliknite „Potvrdi da indikator brzo trepće“ i „Dalje“ kako biste pričekali na rezultat veze.

(2) AP način rada:

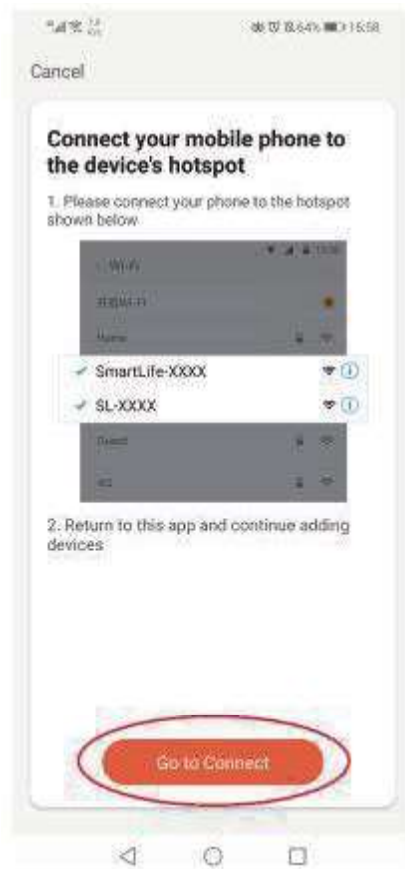
1. Uključite robot, pritisnite i držite gumb za punjenje na 6 sekundi kako biste ušli u AP način rada. Čut ćete dva zvučna signala. Uključit će se žuto indikatorsko svjetlo napajanja i početak će treptati.



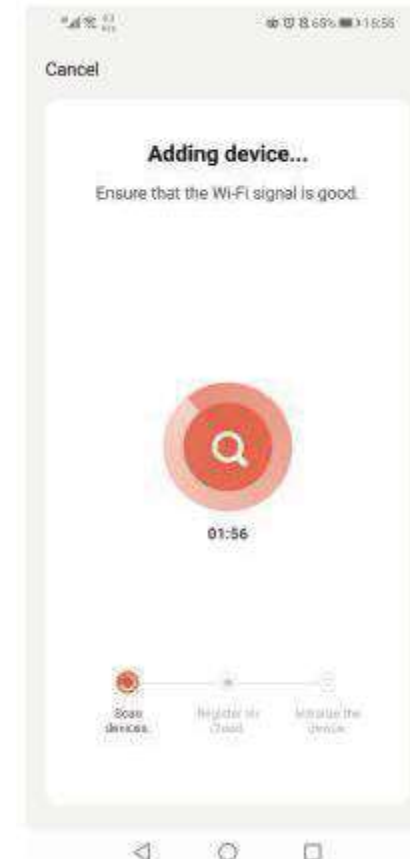
2. Prijavite se na aplikaciju Tuya i kliknite „Dodaj uređaj“.
3. Odaberite „Mali kućanski uređaj“, a zatim odaberite „Wi-Fi robotski usisivač“.
4. Odaberite 2,4 GHz Wi-Fi mrežu i unesite naziv i lozinku Wi-Fi reže, a zatim kliknite „Dalje“.



5. Odaberite AP način rada i kliknite „Potvrdi da indikator polako trepće“ i „Dalje“.



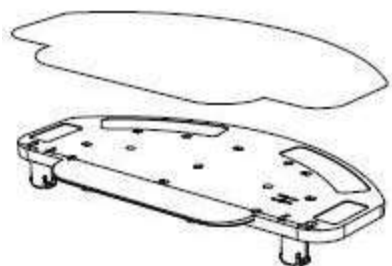
6. Idite na povezivanje s Wi-Fi pristupnom točkom čiji naziv započinje s „SmartLife XXX“.



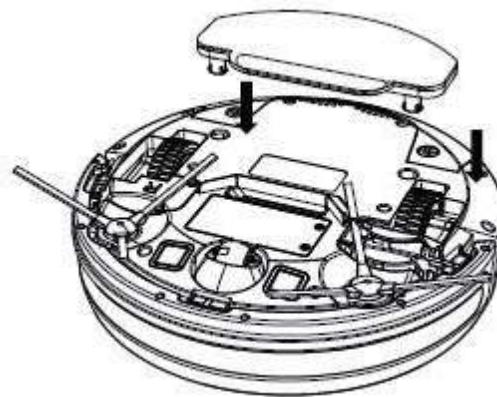
7. Nakon povezivanja na Wi-Fi pristupnu točku vratite se u sučelje aplikacije Tuya i pričekajte rezultat povezivanja robota.

Korištenje proizvoda – postavite držač brisača

A. Postavite krpu a brisanje na držač brisača;



B. Postavite držač brisača na robota;

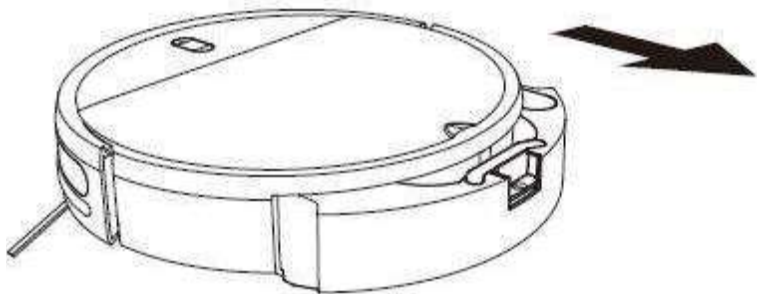


Korištenje proizvoda – spremnik za vodu

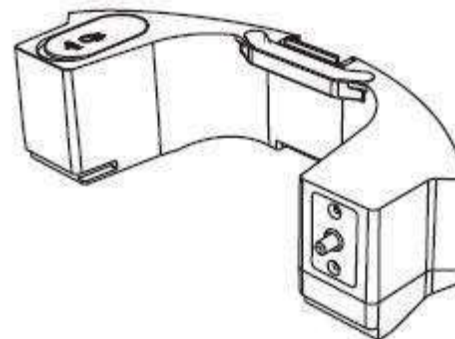
* Nemojte koristiti funkciju pranja poda na sagu.

* Nakon dovršetka pranja poda na vrijeme očistite spremnik za pod i uklonite krpu za pranje.

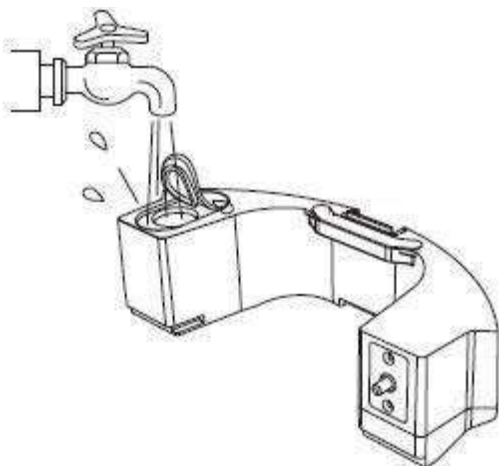
A. Izvadite spremnik za vodu;



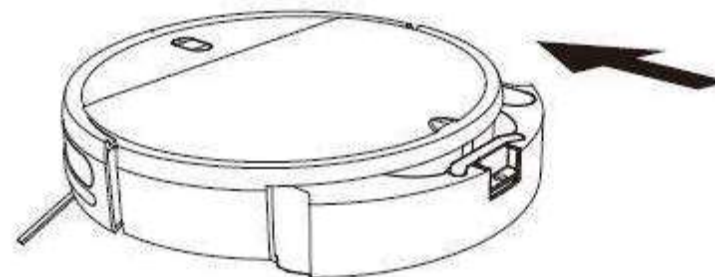
C. Pritisnite gumeni čep;



B. Otvorite čep od silikonskog gela i dodajte vodu;

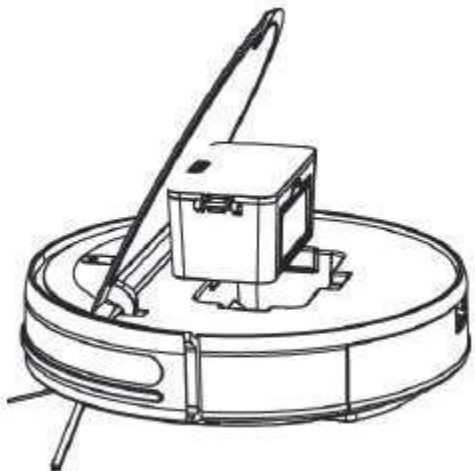


D. Postavite spremnik za vodu na robota.



Održavanje dijelova – kutija za prašinu

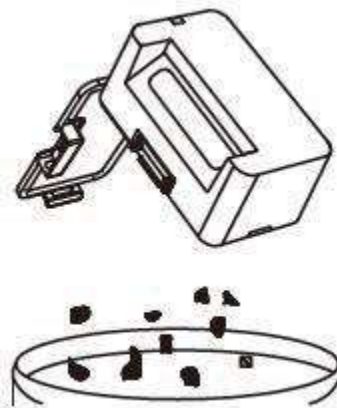
A. Pritisnite gumb na kutiji za prašinu kako biste je uklonili.



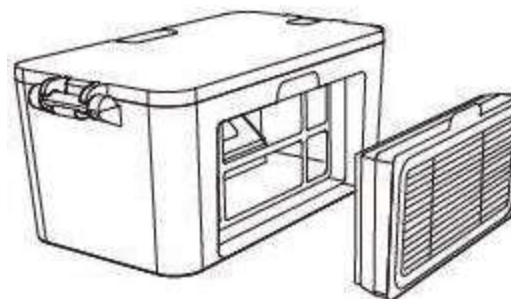
B. Otvorite bočni poklopac kutije za prašinu.



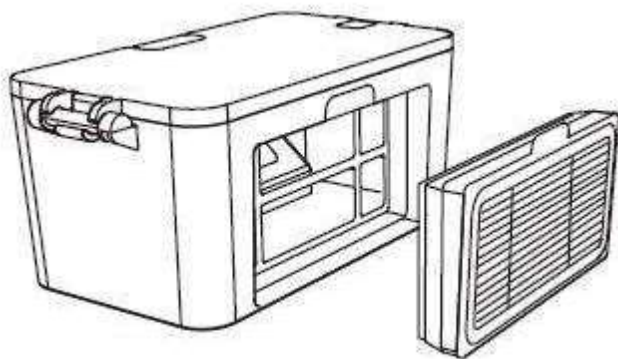
C. Izbacite smeće.



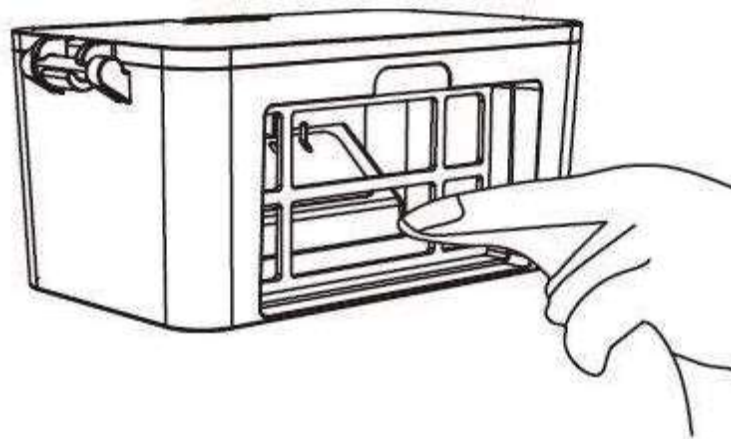
D. Izvadite HEPA filter.



E. Lupite HEPA filtar kako biste uklonili prašinu.



G. Krpom očistite kutiju za prašinu.

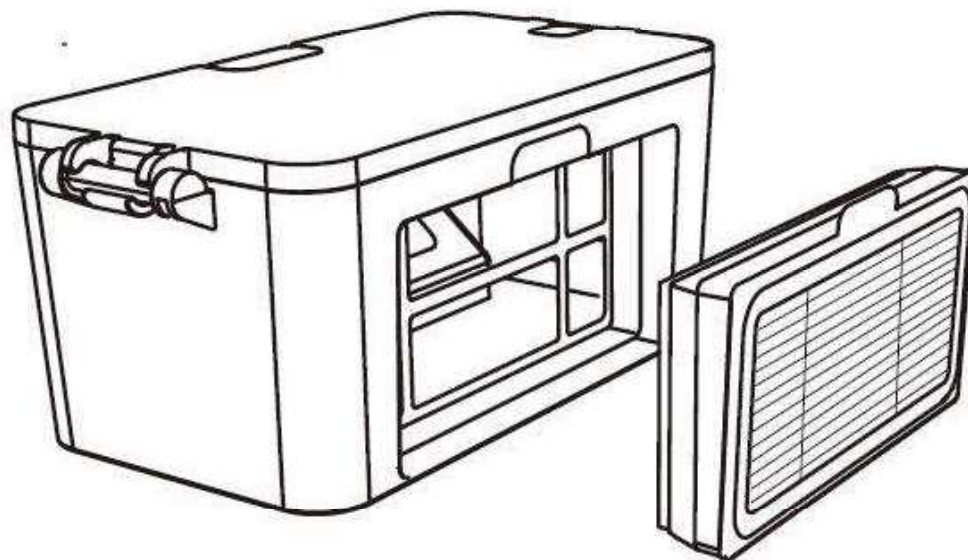
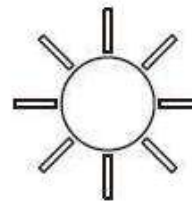


F. Operite HEPA filtar.



H. Osušite kutiju za prašinu i komponente za filtriranje kako biste osigurali da traju do kraja radnog vijeka.

Napomena: Preporučuje se da svakih 15 do 30 dana operete HEPA filter. Maksimalni radni vijek HEPA filtra je tri mjeseca.



I. Vratite HEPA filter natrag u kutiju za prašinu.

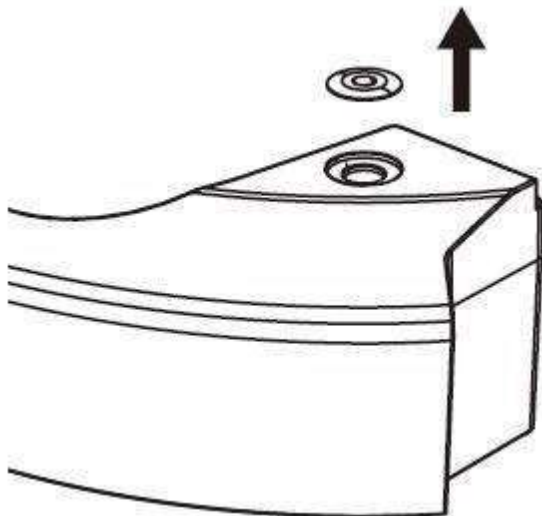
Napomena: 1. Prije postavljanja HEPA filtra provjerite je li suh.

2. HEPA filter nemojte izlagati sunčevoj svjetlosti.

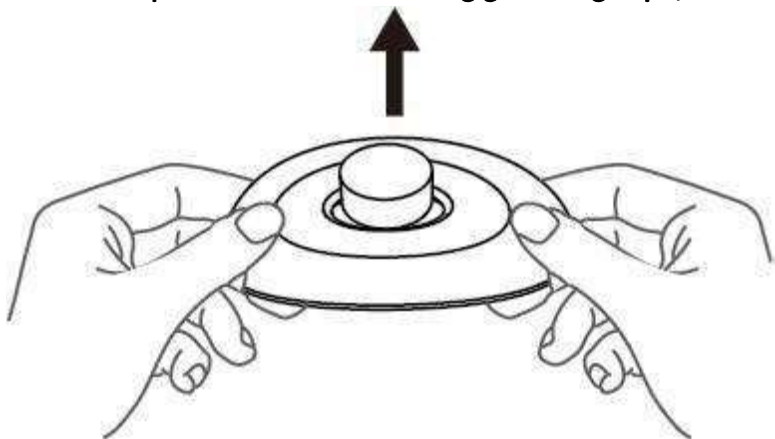
J. Zatvorite poklopac kutije za prašinu i postavite kutiju za prašinu na glavnu jedinicu.

Održavanje dijelova – pamučni filter

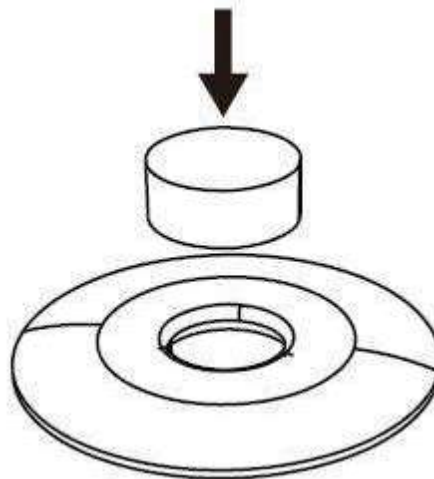
A. Izvadite izlazni gumeni čep;



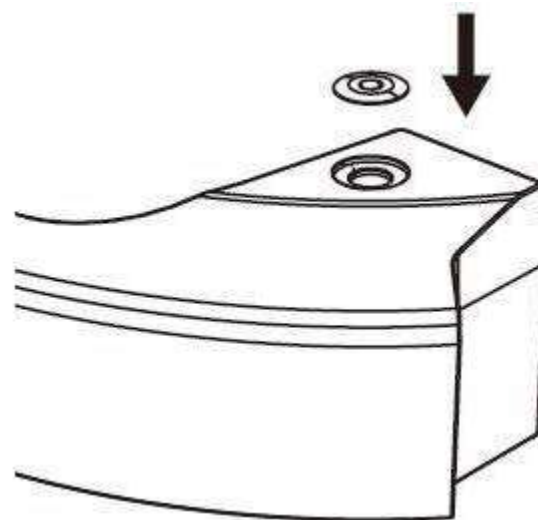
B. Izvadite pamučni filter iz izlaznog gumenog čepa;



C. Postavite novi pamučni filter;



D. Postavite izlazni gumeni čep.

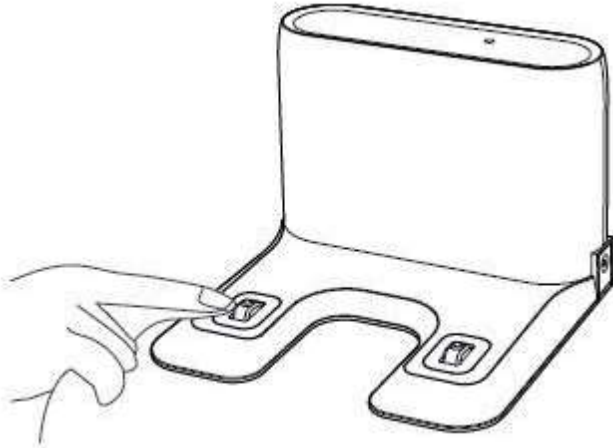


Održavanje dijelova – elektroda za punjenje, donji vizualni senzor, pogonski kotačić i univerzalni kotačić

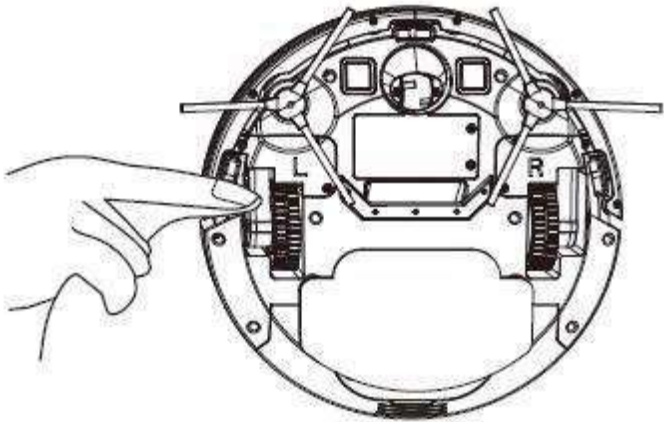
Napomena: Elektroda za punjenje, donji vizualni senzor i branik sadrže osjetljive elektroničke komponente. Za čišćenje dijelova koristite suhu krpu.

Nemojte koristiti mokru krpu kako voda ne bi ušla u dijelove i oštetila ih.

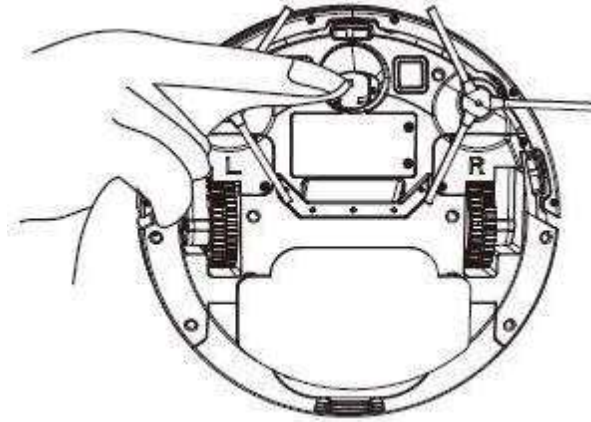
Čišćenje elektrode za punjenje



Čišćenje donjeg vizualnog senzora



Čišćenje pogonskog kotačića i univerzalnog kotačića



- * Ako proizvod ne koristite dulje vrijeme, do kraja napunite proizvod, a zatim ga isključite prije nego što ga uskladištite. Napunite proizvod svaka tri mjeseca kako biste izbjegli prekomjerno pražnjenje baterije.
- * Ako je baterija previše prazna ili se ne koristi dulje vrijeme, proizvod se možda neće moći puniti. Obratite se osoblju poslijeprodajne službe tvrtke radi održavanja. Nemojte rastavljati proizvod.

Svjetlosni indikatori

Robot ima dvije indikatorske lampice, gornja je za indicaciju napajanja, a donja za indicaciju punjenja. Svjetlo dolazi u 3 boje: crvenoj, zelenoj i žutoj. Statusi svjetala uključuju isključena svjetla, stalno uključena svjetla, brzo treptanje i sporo treptanje.

Stavka	Status uređaja	Status svjetla			
		Napajanje		Punjenje	
		Boja	Status	Boja	Status
1	Napajanje uključeno	Zeleno	Stalno uključeno		Isključeno
2	Isključivanje		Isključeno		Isključeno
3	Čišćenje	Zeleno	Isključeno		Isključeno
4	Punjenje	Zeleno	Stalno uključeno	Žuto	Stalno uključeno
5	Niska razina baterije, ponovno napunite	Zeleno	Stalno uključeno	Crveno	Stalno uključeno
6	Tijekom punjenja	Zeleno	Stalno uključeno	Zeleno	Sporo treptanje
7	Punjenje dovršeno	Zeleno	Stalno uključeno	Zeleno	Stalno uključeno
8	WI-FI AP	Zeleno	Brzo treptanje	Zeleno	Brzo treptanje
9	WIFI povezan	Zeleno	Stalno uključeno		Isključeno
10	Upozorenje	Crveno	Brzo treptanje		Isključeno
11	Stanje mirovanja	Zeleno	Stalno uključeno		Isključeno
12	Način spavanja		Isključeno		Isključeno
13	Slaba baterija	Crveno	Brzo treptanje		Isključeno
14	Nije kalibrirano	Crveno	Brzo treptanje	Crveno	Brzo treptanje
15	Kalibrirano	Zeleno	Stalno uključeno		Isključeno

Specifikacije proizvoda

Kategorija	Stavka	Tehnički podaci
Struktura	Promjer	300 mm
	Visina	74 mm
Baterija	Neto težina	2,5 kg
	Kapacitet baterije	14,4 V
	Baterija	Punjiva litijeva baterija od 2500 mAh
Performance	Kapacitet kutije za prašinu	200 ml
	Vrste punjenja	Automatsko i ručno punjenje
	Načini čišćenja	Automatsko čišćenje; čišćenje na mjestu; čišćenje rubova
	Vrijeme punjenja	Oko 300 minuta
Glavni uređaj	Vrijeme čišćenja	Oko 100 minuta
	Nazivna struja (W)	28
	Radni napon (V)	14,4

* Specifikacije proizvoda ovise o stvarnom proizvodu zbog stalnih poboljšanja. Naša tvrtka zadržava pravo izmijeniti proizvod.

Imajte na umu – Svi proizvodi podložni su promjeni bez ikakve obavijesti. Ograđujemo se od pogrešaka i propusta u priručniku.

SVA PRAVA PRIDRŽANA, AUTORSKA PRAVA DENVER A/S



denver.eu



Električna i elektronička oprema i priložene baterije sadrže materijale, komponente i tvari koje mogu biti opasne po vaše zdravlje i okoliš ako se s otpadnim materijalom (odbačena električna i elektronička oprema i baterije) ne postupa na ispravan način.

Električna i elektronička oprema i baterije označene su simbolom prekrižene kante za otpatke, prikazanim gore. Ovaj simbol označava da električnu i elektroničku opremu i baterije ne treba odlagati s drugim kućnim otpadom, već ih treba odlagati odvojeno.

Kao krajnji korisnik, važno je svoje korištene baterije predati u odgovarajući i tome namijenjen objekt. Na taj način osiguravate recikliranje baterija u skladu sa zakonodavstvom i bez štete okolišu.

Svi gradovi imaju uspostavljene sabirne punktove gdje se električna i elektronička oprema i baterije mogu besplatno predati na postajama za reciklažu i drugim sabirnim mjestima ili ih prikupiti od domaćinstava. Dodatne informacije dostupne su u tehničkom odjelu vašeg grada.

Denver A/S ovime izjavljuje da je radijska oprema tipa RVC-110 u skladu s Direktivom 2014/53/EU. Puni tekst EU Izjave o sukladnosti dostupan je na sljedećoj Internetskoj adresi: denver.eu te zatim kliknite na ikonu za pretraživanje u gornjoj traci stranice. Napišite broj modela: RVC-110. Unesite stranicu proizvođača, i CRVENA direktiva će se pojaviti ispod preuzimanja/ostalih preuzimanja.

Radni raspon frekvencije: 2400MHz-2483.5MHz

Max. Izlazna snaga: 19dBm

DENVER A/S

Omega 5A, Soeften

DK-8382 Hinnerup

Danska

www.facebook.com/denver.eu

Nordics

Headquarter

Denver A/S
Omega 5A, Soeften
DK-8382 Hinnerup
Denmark

Phone: **+45 86 22 51 00**
(Push "2" for support)

E-Mail

For technical questions, please write to:
support@denver.eu

For all other questions please write to:
denver@denver.eu

Benelux/France

Denver Benelux BV

Barwoutswaarder 13C+D
3449 HE Woerden
The Netherlands

Phone: **+31 348 420 029**

E-Mail: support-nl@denver.eu

Germany

Denver Germany GmbH Service

Gutenbergstrasse 1
94036 Passau

Phone: **+49 851 379 369 40**

E-Mail

Repair-germany@denver.eu

Fairfixx GmbH

Repair and service
Rudolf-Diesel-Str. 3 TOR 2
53859 Niederkassel

(for TV, E-Mobility/Hoverboards/Balanceboards,
Smartphones & Tablets)

Tel.: **+49 851 379 369 69**

E-Mail: denver@fairfixx.de

Austria

Lurf Premium Service GmbH

Deutschstrasse 1
1230 Wien

Phone: **+43 1 904 3085**

E-Mail: denver@lurfservice.at

Spain/Portugal

Denver AS Spain S.A

C/ Moscú, 1 Pol.Ind.Mas de Tous
46185 La Pobla de Vallbona
Valencia (Spain)

Spain

Phone: +34 960 046 883

Mail: serviciotecnico.denver@denver.eu

Portugal:

Phone: **+35 1255 240 294**

E-Mail: denver.service@satfiel.com

Denver A/S
Omega 5A, Soeften
DK-8382 Hinnerup
Denmark

Denver.eu