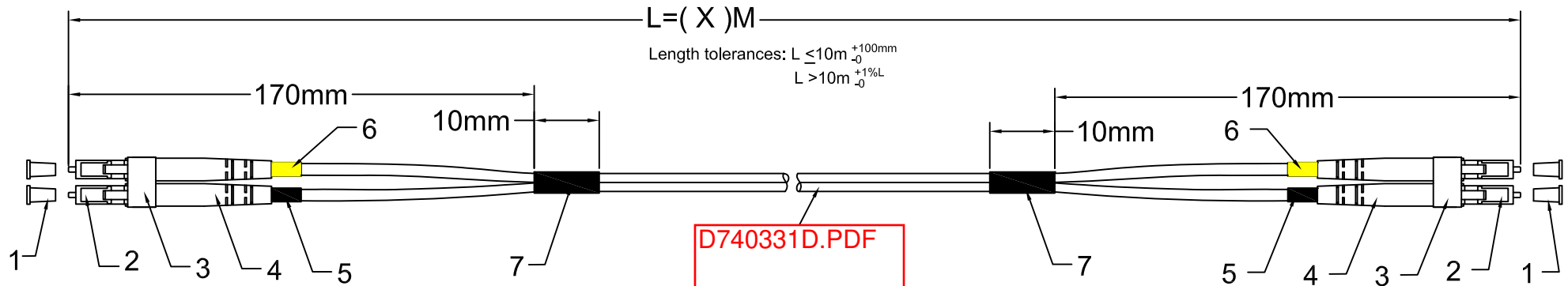


LC - LC Duplex Jumper, I-V(ZN)H 02G 50/125 μ OM3, LSZH Aqua Jacket, x meter



Specifications:

1. Insertion Loss: $\leq 0.2dB @850nm$
2. End surface test is according to OP-03-05001
3. Test standard: GR-326-CORE
4. Test report has to match the serial No.
5. RoHS compliant
6. Fiber cable according to IEC 60793-2
7. LC connector according to IEC 61754-20
8. Flame retardant according to IEC 60332-1
9. Halogen Free according to IEC 60754-1
10. Low smoke according to IEC 61034-1

**RoHS
compliant**

8	Ø2.0mm MM duplex OM3 50/125 μ LSZH Aqua cable	
7	Heat shrink tube, black	2
6	LC shrink tube, yellow	2
5	LC shrink tube, white	2
4	LC 2.0 boot, white	4
3	LC clip, clear	2
2	LC MM 2.0 connector, Beige	4
1	LC dust cover	4
Item	Description	Qty



EFB

LC - LC Duplex Jumper, I-V(ZN)H 02G 50/125 OM3, LSZH Aqua Jacket, x meter

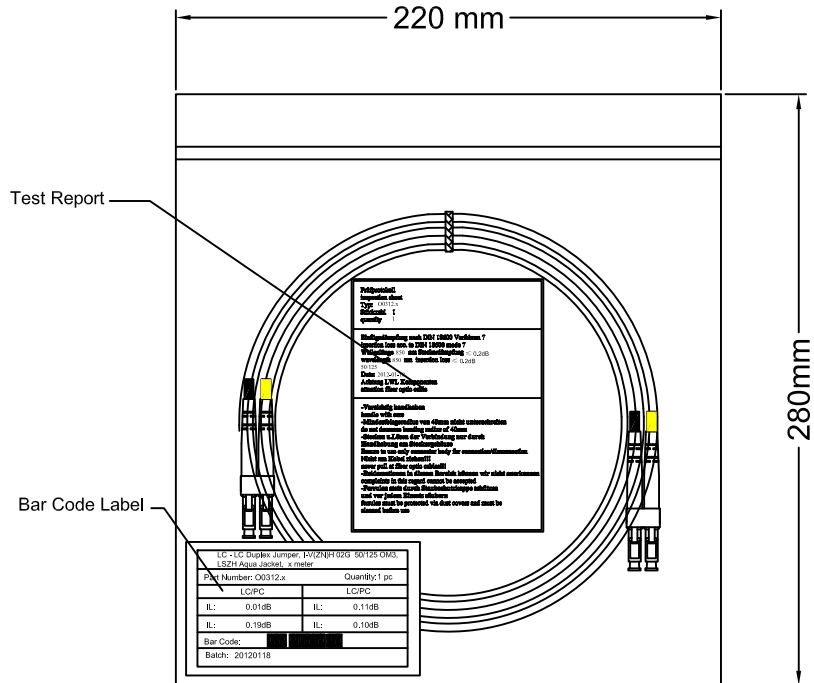
Part No: O0312.X

Drawing No:

Page :1 of 3

Packing:


The corresponding label data for each cable assembly shall be affixed to the package



9# PE Bag(220mm x 280mm)



Prüfprotokoll inspection sheet Typ: O0312.x Stückzahl 1 quantity 1
Einfügedämpfung nach DIN 18600 Verfahren 7 insertion loss acc. to DIN 18600 mode 7 Wellenlänge 850 nm Steckerdämpfung ≤ 0,2dB wavelength 850 nm insertion loss ≤ 0,2dB 50/125 Date: 2012-01-18 Achtung LWL Komponenten attention fiber optic cable
-Vorsichtig handhaben handle with care -Mindestbiegeradius von 40mm nicht unterschreiten do not decrease bending radius of 40mm -Stecken u. Lösen der Verbindung nur durch Handhabung am Steckergehäuse Ensure to use only connector body for connection/disconnection Nicht am Kabel ziehen!!! never pull at fiber optic cables!!! -Reklamationen in diesem Bereich können wir nicht anerkennen complaints in this regard cannot be accepted -Ferrulen stets durch Staubschutzkappe schützen and vor jedem Einsatz säubern ferules must be protected via dust covers and must be cleaned before use

Test Report

LC - LC Duplex Jumper, I-V(ZN)H 02G 50/125 OM3, LSZH Aqua Jacket, x meter	
Part Number: O0312.x	Quantity: 1 pc
LC/PC	LC/PC
IL: 0,01dB	IL: 0,11dB
IL: 0,19dB	IL: 0,10dB
Bar Code:	
Batch: 20120118	

Bar Code Label(100mmx60mm)

RoHS compliant

			
LC - LC Duplex Jumper, I-V(ZN)H 02G 50/125 OM3, LSZH Aqua Jacket, x meter			
Part No: O0312.X			
Drawing No:		Page :2 of 3	

Indoor Cable Series (Duplex)

1. Characteristics

- . Aramid yarn strength member ensures tension resistance and long term stability in transmission
- . Figure 8 structure jacket facilitate embranchment
- . Small outer diameter, lightweight
- . Flame-retardant jacket, halogenfree
- . Low attenuation

2.Applications

- .Installation in conduits and shafts
- .Indoor distribution
- .Jumper and adapter cable
- .Connecting workstations inside buildings(FTTD)

3.Temperature Range

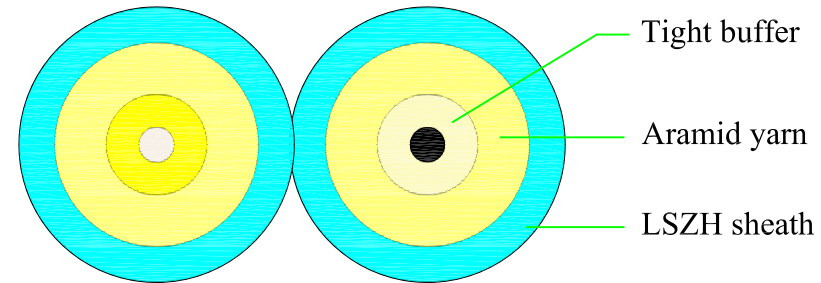
-20°C up to +70°C

4.Fiber Optic Cable Performance

- .Number of fibers: 2
- .Outer diameter: 2.0x4.1 mm
- .Nominal weight: 8.2 kg / km
- .Max. tension: 200 N (short - term)
100 N (long - term)
- .Min. Bending Radius: 20 H (Dynamic)
10 H (Static)
- .Max . Crush Resistance (N/100 mm²):1000
- .Complies with TIA/EIA-568 B.3 & Bellcore GR-409-CORE & OFNR-UL/CSA FT-4
- .Maximum Attenuation: ≤ 2.3dB @850nm
≤ 0.6dB @1300nm
- .OFL Bandwidth: ≥ 1500MHz-km@850nm
≥ 500MHz-km@1300nm
- .10 Gigabit Ethernet SX: 300m@850nm

5.Cable Specification

- .Fiber type: Multimode 50/125µm OM3
- .Aqua jacket , LSZH



**RoHS
compliant**



EFB

LC - LC Duplex Jumper, I-V(ZN)H 02G 50/125 OM3, LSZH Aqua Jacket,
x meter

Part No: O0312.X

Drawing No:

Page :3 of 3