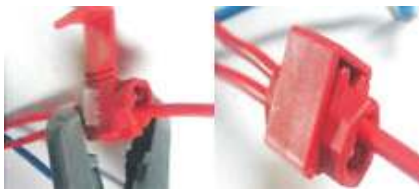
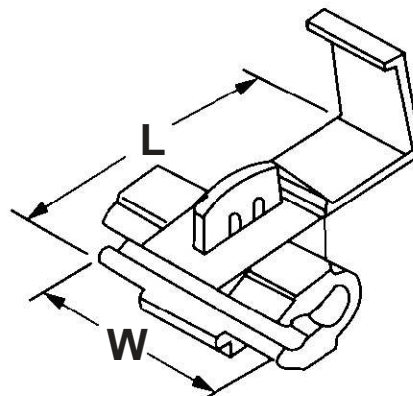


Quick Splice Connector Set



Insulator material: PP
 Terminal material: Brass
 Working Temperature: 75°C max.
 Rating voltage: 600 V/AC max.
 Rating current:
 Red - 9 Amp. max.
 Blue - 15 Amp. max.
 Yellow - 20 Amp. max.



Type	Dimension (L x W)	Wire range	Color	Contents
2010C386	20 x 26 mm	0.5-1.0 mm ² 22-18 AWG	Red	10pcs
2010C387	20 x 27 mm	0.75-2.5 mm ² 18-14 AWG	Blue	10pcs
2010C388	21 x 30.5 mm	4.0-6.0 mm ² 12-10 AWG	Yellow	10pcs