

Register Now!
Enregistrer maintenant !
Jetzt registrieren!
Nu registreren

Registrar ahora
Registra adesso
Regisztráljon most!
Zaregistrujte se nyní!

Zarejestruj się!
Зарегистрироваться!
Registe-se agora!
سجل الآن!

register.kensington.com

Technical Support / Assistance technique / Technischer Support / Technische ondersteuning / Supporto tecnico / Asistencia técnica /
Műszaki támogatás / Technická podpora / Pomoc techniczna / Техническая поддержка / Assistència tècnica / الدعم الفني

Australia	1300 881 931	Hungary	06 20 9430 612	Portugal	800855802
België / Belgique	02 401 2395	Ireland	01 431 1395	Russia	007 495 933 5163
Brasil	14 3235-4003	Italia	02 3604 7030	Schweiz / Suisse	044 580 6667
Canada	1 800 268 3447	México	55 15 00 57 00	Sweden	08 5033 6577
Denmark	80 250966	Nederland	010 713 1882	United Kingdom	0203 364 5390
Deutschland	0692 222 3654	New Zealand	0800 539 26273	United States	1 800 535 4242
España	911 146 735	Norway	80017520	International Toll	+31 53 484 9135
Finland	0800 9 15697	Österreich	0800 677 873		
France	01 7671 0404	Polska	22 570 18 00		

Kensington and the ACCO name and design are registered trademarks of ACCO Brands. SmartFit is a registered trade mark of ACCO Brands. All other registered and unregistered trademarks are the property of their respective owners.

©2016 Kensington Computer Products Group, a division of ACCO Brands. Any unauthorized copying, duplicating, or other reproduction of the contents hereof is prohibited without written consent from Kensington Computer Products Group. All rights reserved. 10/16

 <p>Kensington Computer Products Group A Division of ACCO Brands 1500 Fashion Island Blvd, 3rd Floor San Mateo, CA 94404</p>			
<p>ACCO Brands Europe A Division of ACCO Brands Europe Oxford House, Oxford Road Aylesbury, Buckinghamshire, HP21 8SZ United Kingdom</p>	<p>ACCO Brands Canada Inc 7381 Bramalea Rd Mississauga, ON L5S 1C4 Canada</p>	<p>ACCO Brands Australia - Kensington 2 Coronation Avenue Kings Park, NSW 2148 Australia</p>	<p>Importado por ACCO Mexicana S.A. de C.V. Circuito de la Industria Norte # 6, Corredor Industrial Toluca Lerma, Lerma México Cp. 52004 R.F.C. AME640229-1W3</p>
<p>Acco Brands Chile S.A., Avda. San Josemaría Escrivá de Balaguer Nº5773 Vitacura, C.P. 7640970 Santiago, Chile</p>		<p>Importado e Distribuído por: TILIBRA PRODUTOS DE PAPELARIA LTDA. CNPJ: 44.990.901/0001-43 Rua Aymorés, 6-9 – Bauru/SP – Brasil CEP 17013-900</p>	
<p>www.kensington.com</p>			

K52797

901-8968-00

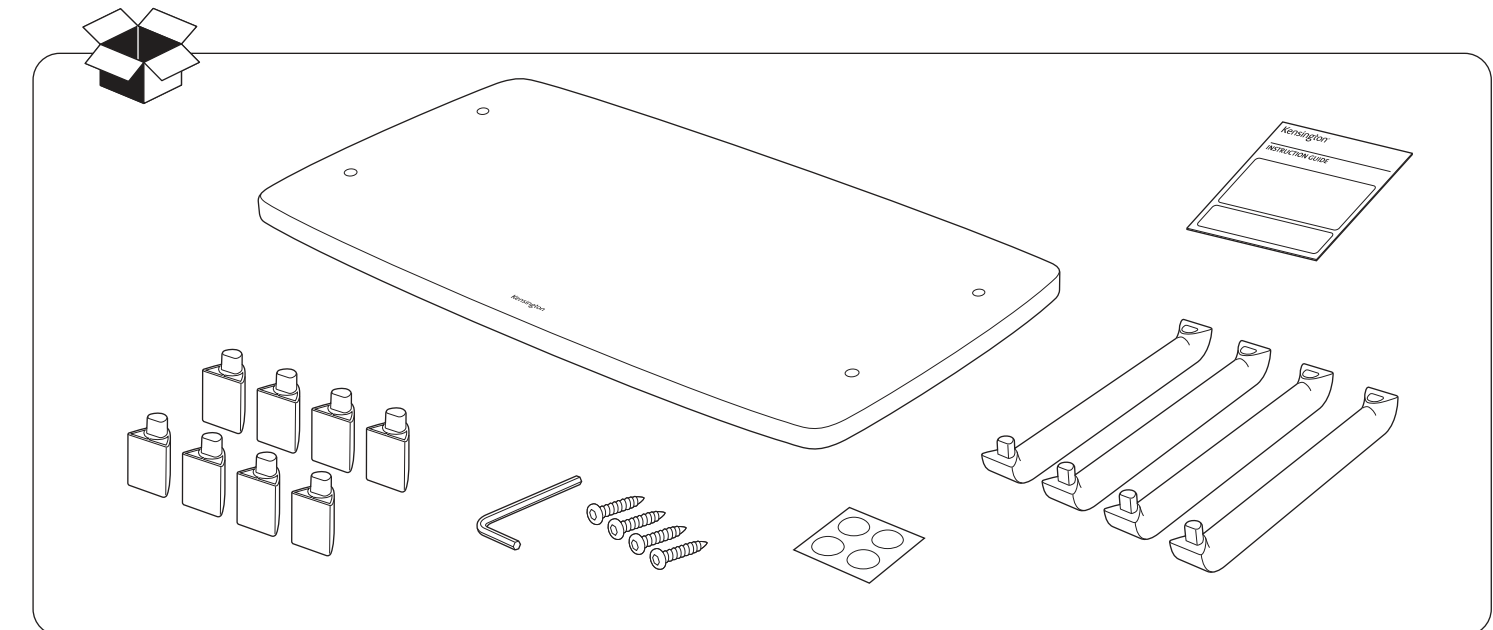
Kensington®

SmartFit® Extra Wide Monitor Stand

QUICK START GUIDE
GUIDE DE DEMARRAGE RAPIDE
KURZANLEITUNG
SNELSTARTGIDS
GUIDA RAPIDA
GUÍA RÁPIDA
GYORSKALAUZ

PŘÍRUČKA ZAČÍNÁME
SZYBKI START
KRATKOE РУКОВОДСТВО
ПОЛЬЗОВАТЕЛЯ
MANUAL DE INÍCIO RÁPIDO

دليل البدء السريع



1

