

REVISION RECORD

REV	ECN	DESCRIPTION	DRFT	DATE
-----	-----	-------------	------	------

NOTES1:

UL Standard

- 1.Rated voltage/current : 300V / 10A
- 2.Torque value : M2.5 , 3.54Lb.in
- 3.Wire range : 28~16AWG

IEC Standard

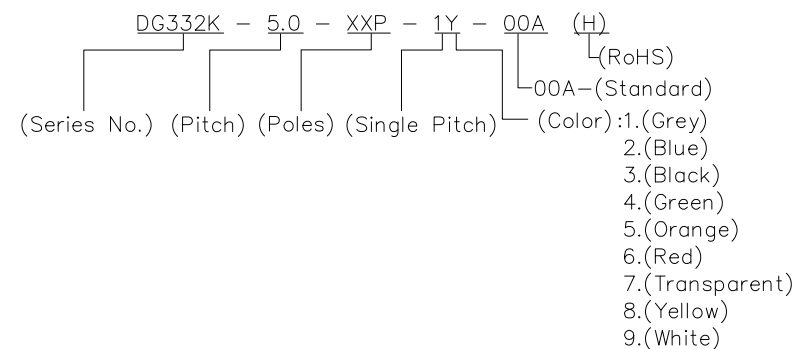
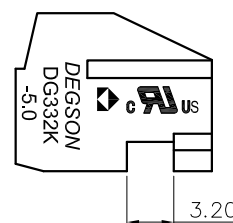
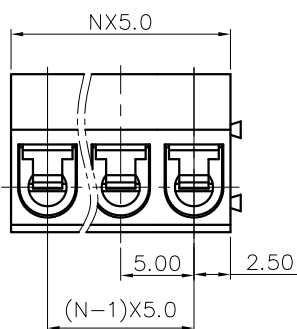
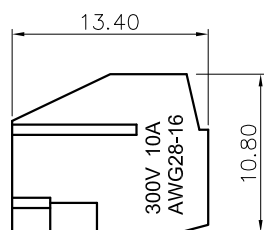
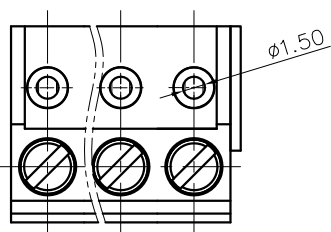
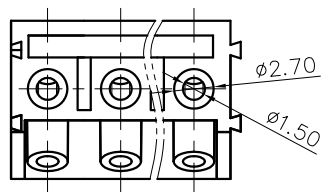
- 1.Rated voltage/current : 250V / 12A
- 2.Torque value : M2.5 , 0.4N·m
- 3.Wire range : 0.2~1.5mm<sup>2</sup>

NOTES2:

- 1.Dimension shall be interpreted per ASME Y14.5-2009
- 2.Pitch : 5.0mm, Poles : N=2~12P
- 3.Stripping length : 5~6mm
- 4.Withstanding voltage : AC2000V/1Min
- 5.Operating temperature: -30°C~+120°C
- 6.Undimensioned tolerances:

Pitch range in mm		Nominal dimension range in mm						-	∩	∇
TO 6	Over 6 TO 10	Over 10 TO 24	TO 30	Over 30 TO 60	Over 60 TO 100	Over 100 TO 150	Over 150	0.1/10		
±0.15	±0.20	±0.30	±0.30	±0.50	±0.70	±1.00	±1.30	±2'		

7.RoHS Compliance



DETACHED LISTS	PART NO.:	/			宁波高松电子有限公司 NINGBO DEGSON ELECTRICAL CO., LTD	
	APPD:	/	NAME: DG332K-5.0-XXP-1Y-00A(H)			
	CHKD:	/	TITLE: CUSTOMER DRAWING			
	DRFT:	/	DRAWING NO.:		REV	DO
THIRD ANGLE PROJECTION		DO NOT SCALE DRAWING MM (INCH)		SHEET	1/1	
				SCALE	1:1	