

Best. Nr. 800 494

### Plastic Components Storage Box 285 x 201 x 23 mm 15 compartments

#### Specification

Material: Polypropylene (PP)

Color: Transparent

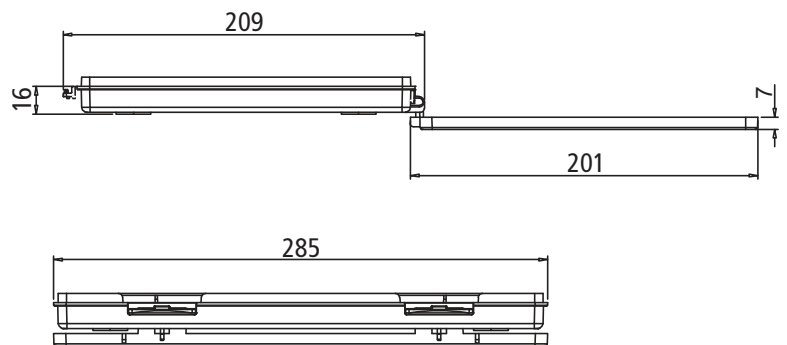
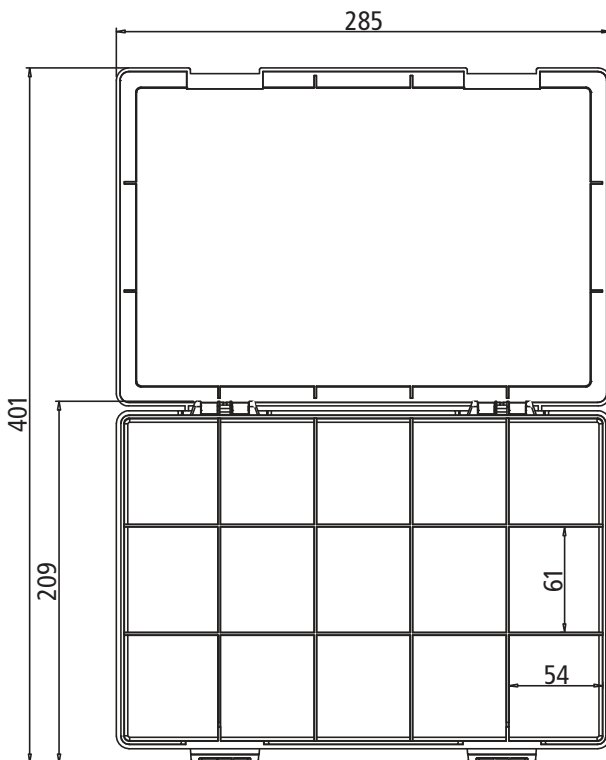
Compartment: 15

Dividers type: Fixed

Overall maximum dimension:  
approx. 290 x 209 x 25 mm

Weight: Approx. 246g

Storage temperature: -20 ~ 70°C



unit: mm  
Tolerance: ±2