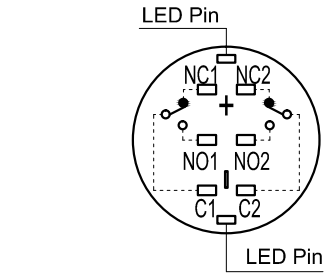
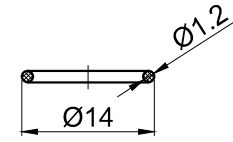
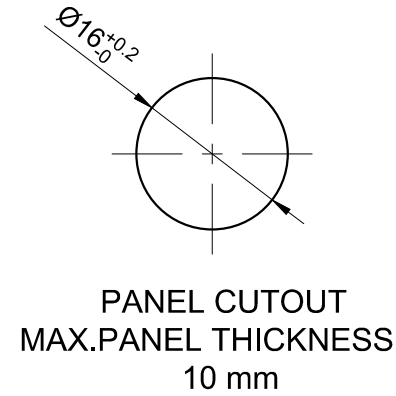
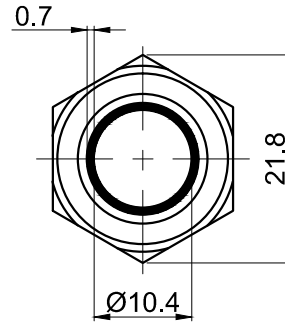


The shaded part is illuminated



Contact Composition

"□"	Contact structure
11	1NO1NC
22	2NO2NC

"■"	Operation mode
No Letter	Momentary
Z	Latching

"△"	Lamp Color
R	Red
G	Green
Y	Yellow
B	Blue
W	White

"▲"	Lamp Voltage
6V	AC/DC 6V
12V	AC/DC 12V
24V	AC/DC 24V
110V	AC/DC 110V
220V	AC/DC 220V

Other voltage can be made to order

"◎"	Crust material
S	Stainless steel
A	Al alloy(black)
N	Nickel Plated Brass

"☆"	IP Class
No Letter	IP40
P	IP65
FP	IP67

Part Number: LAS2GQF-□■E/△/▲/◎/☆

SPECIFICATIONS:

1. Switch Rating: AC250V/0.5A, DC110V/0.1A.
2. Mechanical Life: ≥1,000,000cycles.
3. Electrical Life: ≥50,000cycles.
4. Contact Resistance: ≤50mΩ.
5. Insulation Resistance: ≥1,000MΩ.
6. Dielectric Strength: 1,500V, RMS 50Hz, 1min.
7. Operating Temperature: -25°C~ +55°C(No Freezing).
8. Operating Force: About 1.2~1.8N(1NO1NC), About 1.4~2N(2NO2NC).
9. Operating Travel: About 2.3mm.
10. Torque: About 0.6Nm max.applied to nut.
11. Protection degree: IP40/IP65/IP67;IK09.
12. Terminal Type: Pin Terminal(1.8 x 0.4mm), LED Pin(1.8 x 0.3mm).

MATERIALS:

1. Contact: Silver alloy.
2. Button: ◎.
3. Body: ◎.
4. Base: PA.

BRAND 品牌	ONPOW	红波按钮制造有限公司 ONPOW PUSH BUTTON MANUFACTURE CO.,LTD.	
USED 用途	APPD 审核	CH	2019/09/04
FINISH 处理	CHKD 校对	NCH	2019/09/04
SCALE 比例	UNIT 单位	DR. 制图	ZPD 2019/09/04
DIMENSIONS	TOLERANCE	TITLE 名称	GQ Series Anti-vandal push button
0.00 TO 18.00mm	±0.43mm	DWG NO.	
18.01 TO 30.00mm	±0.52mm	图号	
30.01 TO 50.00mm	±0.62mm	LAS2GQF-E	
50.01 TO 80.00mm	±0.74mm	FILE NAME 档案名称	LAS2GQF带灯.DWG
		SHEET 张	1 / 1
		REV. 更改	1