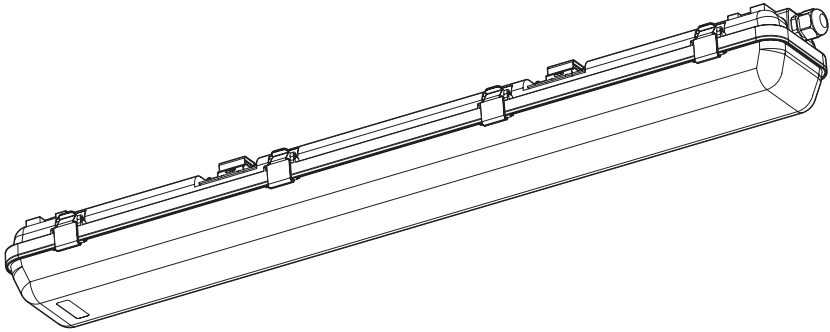


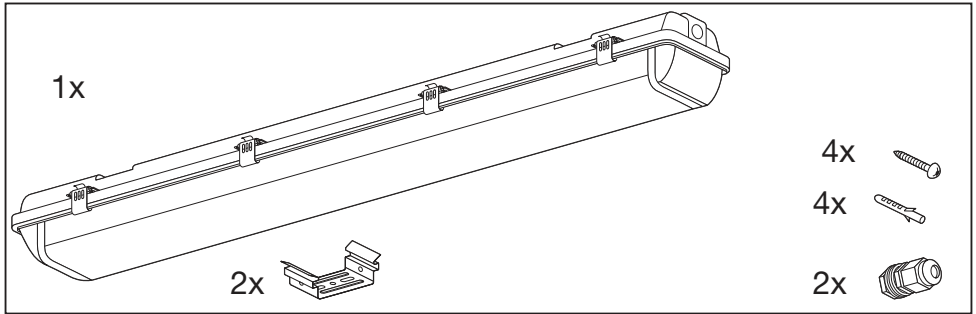
---

**SUBMARINE® THROUGH WIRING**

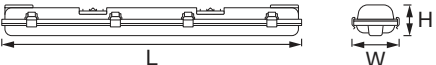

---



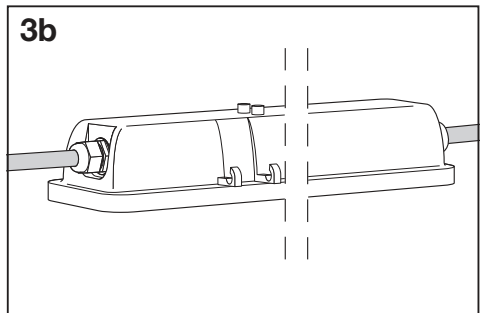
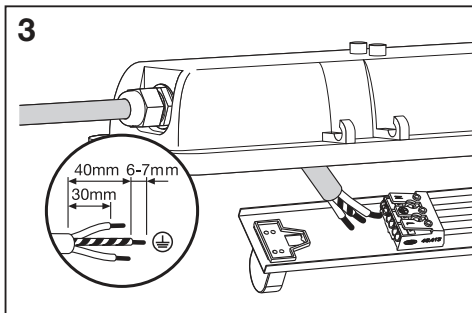
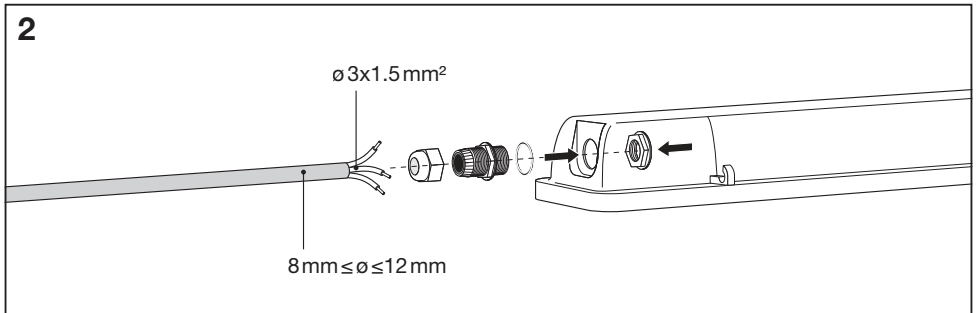
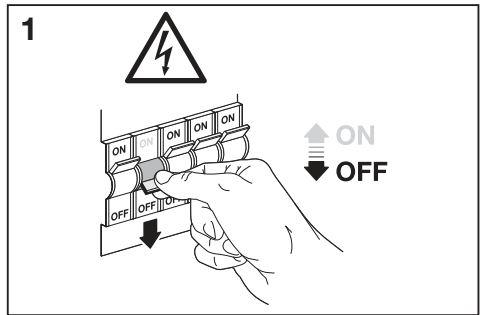
	EAN	W	Lumen module lm	Lumen output lm	K	IP	°C (°C)	V~	mA	Hz	DF	👤
<b>SUBMARINE THRUWIRING120CM 15W 840GR</b>	4058075576438	15	1800	1600	4000	65	-20...+35	220-240	77	50/60	>0.9	1.12 kg
<b>SUBMARINE THRUWIRING150CM 19W 840GR</b>	4058075576452	19	2200	1900	4000	65	-20...+35	220-240	94	50/60	>0.9	1.38 kg



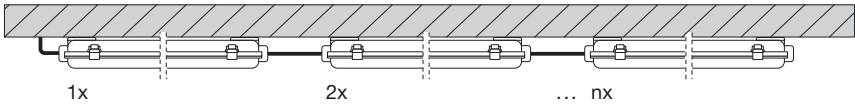
mm



	L	W	H
SUBMARINE THRUWIRING120CM 15W 840GR	1261	66	75
SUBMARINE THRUWIRING150CM 19W 840GR	1561	66	75

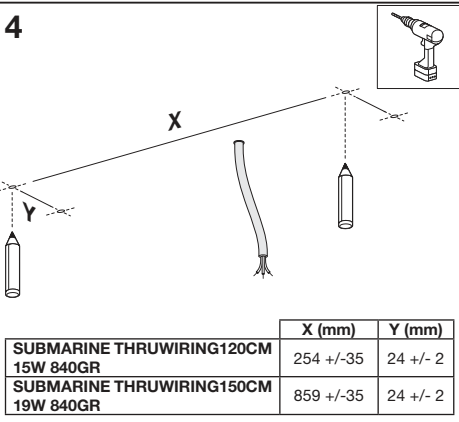


3c

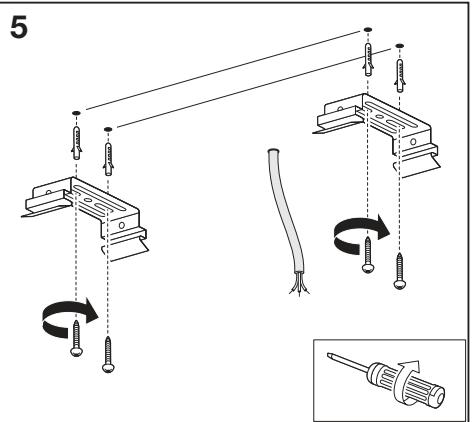


	B10	B16	C10	C16
SUBMARINE THRUWIRING120CM 15W 840GR	90	150	70	110
SUBMARINE THRUWIRING150CM 19W 840GR	70	120	55	85

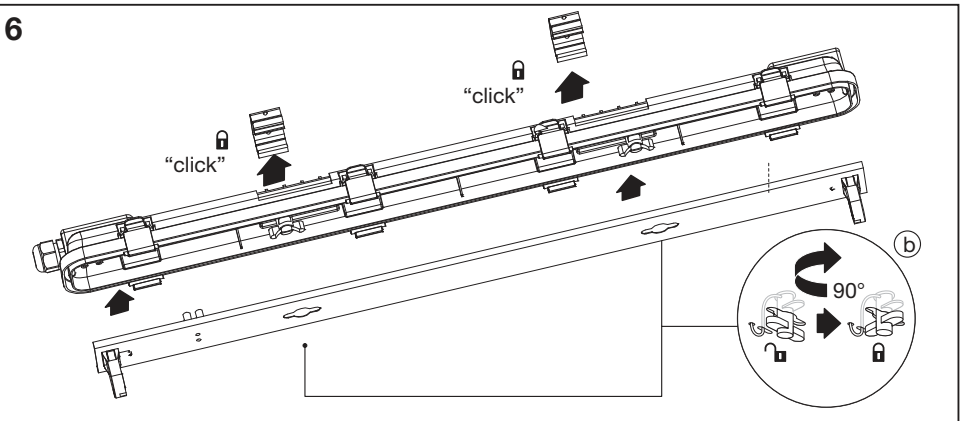
4

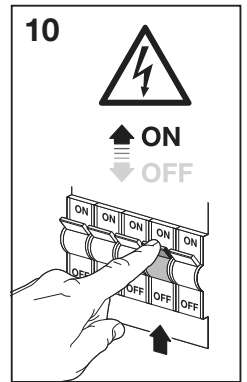
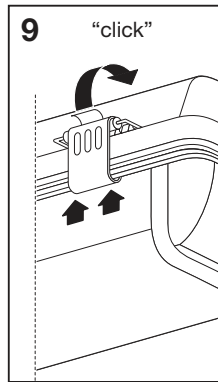
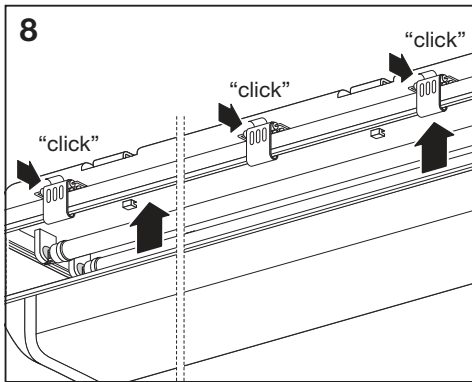
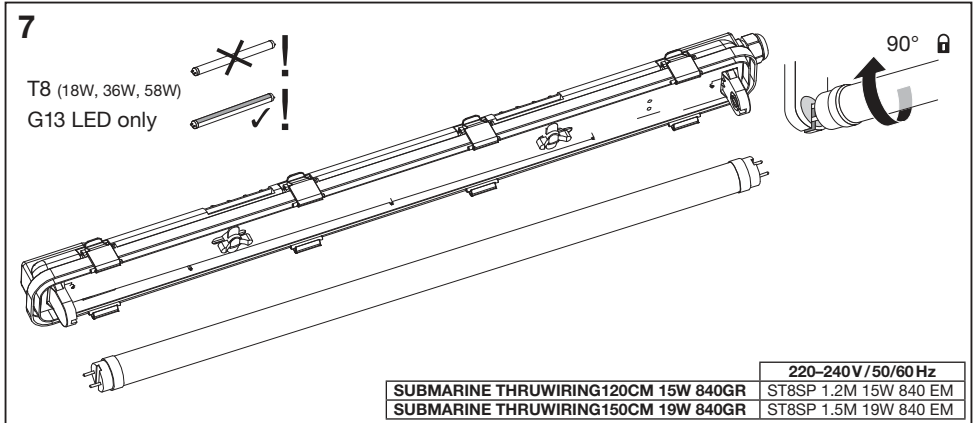


5



6





	EAN	This product contains a light source of energy efficiency class	Contained Light Source
SUBMARINE THRUWIRING120CM 15W 840GR	4058075576438	E	
SUBMARINE THRUWIRING150CM 19W 840GR	4058075576452	E	



C10449057  
G11120858  
08.10.2021



LEDVANCE GmbH  
Steinerne Furt 62  
86167 Augsburg, Germany  
[www.ledvance.com](http://www.ledvance.com)