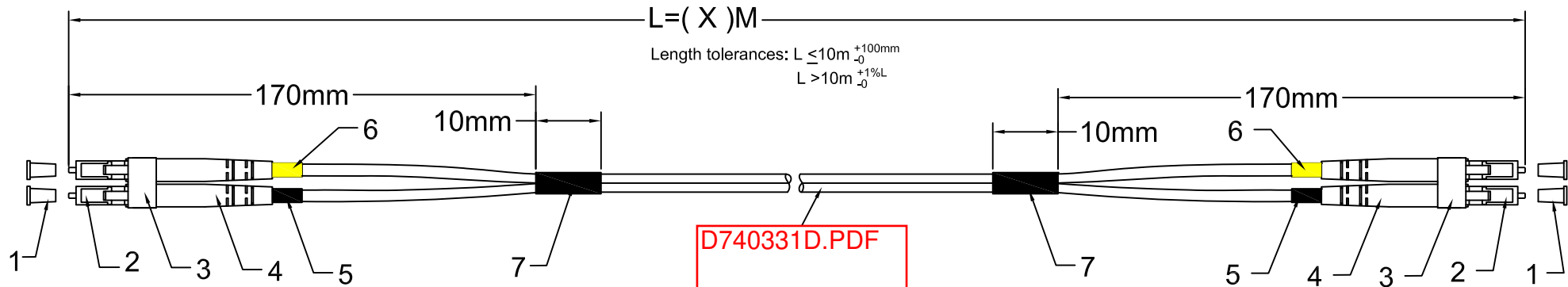


## LC - LC Duplex Jumper, I-V(ZN)H 02G 50/125 $\mu$ OM3, LSZH Aqua Jacket, x meter



### Specifications:

1. Insertion Loss:  $\leq 0.2dB @850nm$
2. End surface test is according to OP-03-05001
3. Test standard: GR-326-CORE
4. Test report has to match the serial No.
5. RoHS compliant
6. Fiber cable according to IEC 60793-2
7. LC connector according to IEC 61754-20
8. Flame retardant according to IEC 60332-1
9. Halogen Free according to IEC 60754-1
10. Low smoke according to IEC 61034-1

**RoHS  
compliant**

8	Ø2.0mm MM duplex OM3 50/125 $\mu$ LSZH Aqua cable	
7	Heat shrink tube, black	2
6	LC shrink tube, yellow	2
5	LC shrink tube, white	2
4	LC 2.0 boot, white	4
3	LC clip, clear	2
2	LC MM 2.0 connector, Beige	4
1	LC dust cover	4
<b>Item</b>	<b>Description</b>	<b>Qty</b>



# EFB

LC - LC Duplex Jumper, I-V(ZN)H 02G 50/125 OM3, LSZH Aqua Jacket, x meter

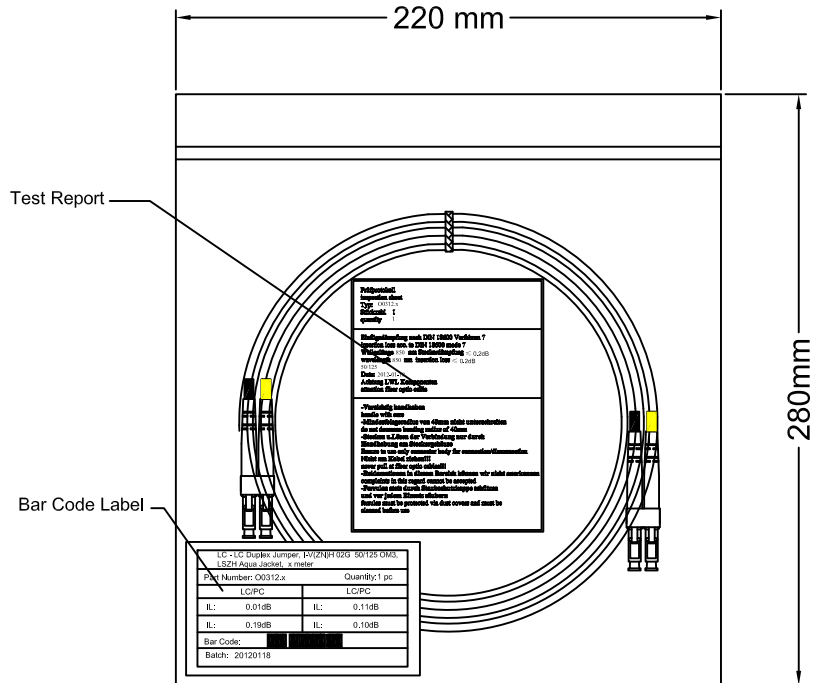
Part No: O0312.X

Drawing No:

Page :1 of 3

# Packing:


The corresponding label data for each cable assembly shall be affixed to the package



9# PE Bag(220mm x 280mm)



<b>Prüfprotokoll</b> <b>inspection sheet</b> <b>Typ:</b> O0312.x <b>Stückzahl</b> 1 <b>quantity</b> 1
<b>Einfügedämpfung nach DIN 18600 Verfahren 7</b> <b>insertion loss acc. to DIN 18600 mode 7</b> <b>Wellenlänge 850 nm Steckerdämpfung ≤ 0,2dB</b> <b>wavelength 850 nm insertion loss ≤ 0,2dB</b> 50/125 <b>Date:</b> 2012-01-18 <b>Achtung LWL Komponenten</b> <b>attention fiber optic cable</b>
<b>-Vorsichtig handhaben</b> <b>handle with care</b> <b>-Mindestbiegeradius von 40mm nicht unterschreiten</b> <b>do not decrease bending radius of 40mm</b> <b>-Stecken u. Lösen der Verbindung nur durch</b> <b>Handhabung am Steckergehäuse</b> <b>Ensure to use only connector body for connection/disconnection</b> <b>Nicht am Kabel ziehen!!!</b> <b>never pull at fiber optic cables!!!</b> <b>-Reklamationen in diesem Bereich können wir nicht anerkennen</b> <b>complaints in this regard cannot be accepted</b> <b>-Ferrulen stets durch Staubschutzkappe schützen</b> <b>and vor jedem Einsatz säubern</b> <b>ferules must be protected via dust covers and must be</b> <b>cleaned before use</b>

Test Report

LC - LC Duplex Jumper, I-V(ZN)H 02G 50/125 OM3, LSZH Aqua Jacket, x meter	
Part Number: O0312.x	Quantity: 1 pc
LC/PC	LC/PC
IL: 0,01dB	IL: 0,11dB
IL: 0,19dB	IL: 0,10dB
Bar Code:	
Batch: 20120118	

Bar Code Label(100mmx60mm)

**RoHS compliant**

			
LC - LC Duplex Jumper, I-V(ZN)H 02G 50/125 OM3, LSZH Aqua Jacket, x meter			
Part No: O0312.X			
Drawing No:		Page :2 of 3	

## Indoor Cable Series ( Duplex)

### 1. Characteristics

- . Aramid yarn strength member ensures tension resistance and long term stability in transmission
- . Figure 8 structure jacket facilitate embranchment
- . Small outer diameter, lightweight
- . Flame-retardant jacket, halogenfree
- . Low attenuation

### 2.Applications

- .Installation in conduits and shafts
- .Indoor distribution
- .Jumper and adapter cable
- .Connecting workstations inside buildings(FTTD)

### 3.Temperature Range

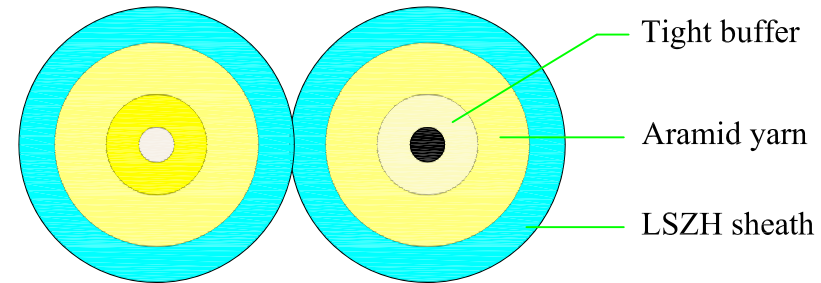
-20°C up to +70°C

### 4.Fiber Optic Cable Performance

- .Number of fibers: 2
- .Outer diameter: 2.0x4.1 mm
- .Nominal weight: 8.2 kg / km
- .Max. tension: 200 N (short - term)  
100 N (long - term)
- .Min. Bending Radius: 20 H (Dynamic)  
10 H (Static)
- .Max . Crush Resistance (N/100 mm<sup>2</sup>):1000
- .Complies with TIA/EIA-568 B.3 & Bellcore GR-409-CORE & OFNR-UL/CSA FT-4
- .Maximum Attenuation: ≤ 2.3dB @850nm  
≤ 0.6dB @1300nm
- .OFL Bandwidth: ≥ 1500MHz-km@850nm  
≥ 500MHz-km@1300nm
- .10 Gigabit Ethernet SX: 300m@850nm

### 5.Cable Specification

- .Fiber type: Multimode 50/125µm OM3
- .Aqua jacket , LSZH



**RoHS  
compliant**



**E F B**

LC - LC Duplex Jumper, I-V(ZN)H 02G 50/125 OM3, LSZH Aqua Jacket,  
x meter

Part No: O0312.X

Drawing No:

Page :3 of 3