



Live Charged.

For tutorial videos, FAQs, manuals, and more information, please visit:

<https://support.anker.com>

Or scan the QR code below:



@anker_official
@anker_jp



@AnkerDeutschland
@AnkerJapan
@Anker



@AnkerOfficial
@Anker_JP



Anker EverFrost Powered Cooler 40 USER MANUAL

English

01-15

Deutsch

16-30

Español

31-45

Français

46-60

Italiano

61-75

Nederlands

76-90

Português

91-105

ةي بآرعل

106-121

עברית

122-138

Attention



Not permitted on aircraft.

Important Safety Instructions

GWP: R1234yf: 4

This appliance is not intended for use by persons (including children) with reduced physical, sensory or mental capabilities, or lack of experience and knowledge, unless they have been given supervision or instruction concerning the use of the appliance by a person responsible for their safety.

Children should be supervised to ensure that they do not play with this appliance.

This appliance can be used by children aged 8 years and above and persons with reduced physical, sensory or mental capabilities or lack of experience and knowledge if they have been given supervision or instruction concerning the use of the appliance safely and understand the hazards involved. Cleaning and user maintenance shall not be done by children without supervision.

Children aged 3 to 8 years are allowed to load and unload **refrigerating appliances**.

Refrigeration appliances can be used by children aged 3 and above and people with reduced physical, sensory or mental capabilities or lack of experience and knowledge if they have been given supervision or instruction concerning the use of the appliance safely and understand the hazards involved.

Children of less than 3 years old should be kept away unless continuously supervised.

The appliance is only to be used with the Power supply unit provided with the appliance.

When connecting to the DC power supply, the appliance must only be supplied at safety extra low voltage corresponding to the marking on the appliance.

If the power cord is damaged, it must be replaced by the manufacturer, service agent, or similarly qualified persons in order to avoid a hazard.

Instructions for appliances incorporating batteries that are intended to be replaced by the user shall include the following:

- Battery type: Rechargeable lithium-ion battery (A17B5)
- Disposal of a battery into a fire or hot oven, or mechanically crushing or cutting off a battery, can result in an explosion.
- CAUTION: Risk of explosion if the battery is replaced by an incorrect type. Do not use non-rechargeable batteries!
- A battery subjected to extremely low air pressure may cause an explosion or leakage of flammable liquid or gas. Under abusive conditions, liquid may be ejected from the battery—avoid contact. If contact accidentally occurs, rinse with water. If liquid gets in your eyes, seek medical help as it may cause irritation or burns.
- The battery must be removed from the appliance before it is scrapped.
- The appliance must be disconnected from the main power supply when removing the battery.
- Do not dispose of the battery in heat or fire. The battery is to be disposed of safely.

When disposing of secondary cells or batteries, keep cells or batteries of different electrochemical systems separate from each other.

WARNING: For the purposes of recharging the battery, only use the detachable supply unit provided with this appliance.

When connected to the DC power, the appliance must only be supplied at the safety voltage specified by the marking on the appliance.



Detachable Supply Unit GM95-145600-D

Disconnect the power supply before cleaning and maintenance.

- Suitable for camping.
- The appliance shall not be exposed to rain.

Do not store explosive substances such as aerosol cans with a flammable propellant in this appliance.

- WARNING: Keep ventilation openings, in the appliance enclosure or in the built-in structure, clear of obstruction.
- WARNING: Do not use mechanical devices or other means to accelerate the defrosting process, other than those recommended by the manufacturer.
- WARNING: Do not damage the refrigerant circuit.
- WARNING: Do not use electrical appliances inside the appliance's food storage compartments, unless they are of the type recommended by the manufacturer.



WARNING: Risk of fire/flammable materials.

WARNING: When positioning the appliance, ensure the power cord is not trapped or damaged.

WARNING: Do not locate multiple portable socket outlets or portable power supplies at the rear of the appliance.

To avoid contamination of food, please read the following instructions:

- Opening the door for long periods can cause a significant increase in the temperature in the compartments of the appliance.
- Clean surfaces regularly that can come in contact with food and accessible drainage systems.
- Clean water tanks if not used for 48 hours. Flush the water system connected to a water supply if water has not been drawn for 5 days.
- Store raw meat and fish in suitable containers in the refrigerator, so that they do not come in contact with other food.
- If the appliance is left empty for long periods, switch it off, defrost, clean, dry, and leave the door open to prevent mold from developing within the appliance.



Declaration of Conformity

This product complies with the radio interference requirements of the European Community. Hereby, Anker Innovations Limited declares that the radio equipment type A17A1 is in compliance with Directive 2014/53/EU. The full text of the EU Declaration of Conformity is available at the following website: <https://www.anker.com>.

Maximum output power: +4 dBm (For EU)

Frequency band: 2.4G band (2.4000GHz - 2.4835GHz)



GB Declaration of Conformity

Hereby, Anker Innovations Limited declares that this product is in compliance with Radio Equipment Regulations 2017. The full text of the GB Declaration of Conformity is available at the following website: <https://www.anker.com>.

The following importer is the responsible party for EU and UK matters.

Anker Technology (UK) Ltd

GNR8, 49 Clarendon Road, Watford, Hertfordshire, WD17 1HP, United Kingdom

Anker Innovations Deutschland GmbH

Georg-Muche-Strasse 3, 80807 Munich, Germany

Bluetooth: The Bluetooth® word mark and logos are registered trademarks owned by the Bluetooth SIG, Inc. and any use of such marks by Anker Innovations Limited is under license. Other trademarks and trade names are those of their respective owners.

Manufacturer:

Anker Innovations Limited

Room 1318-19, Hollywood Plaza, 610 Nathan Road, Mongkok, Kowloon, Hong Kong

This refrigerating appliance is not intended to be used as a built-in appliance.



This symbol indicates that this product shall not be treated as household waste. Instead, it shall be handed over to the applicable collection point for the recycling of electrical and electronic equipment.

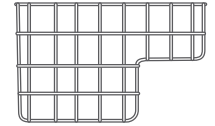
What's in the Box



Anker EverFrost Powered Cooler 40



Anker Battery for Powered Cooler



Storage Basket



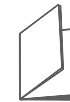
Car Charging Cable



AC Adapter and Charging Cable

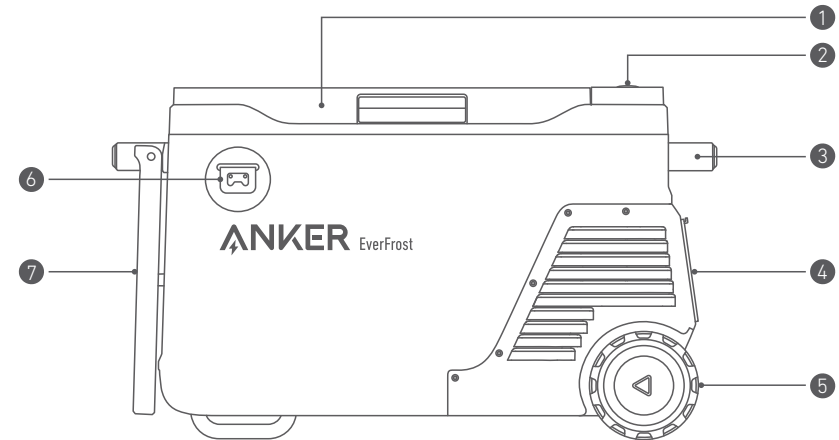


XT-60 Cable



User Manual

Overview

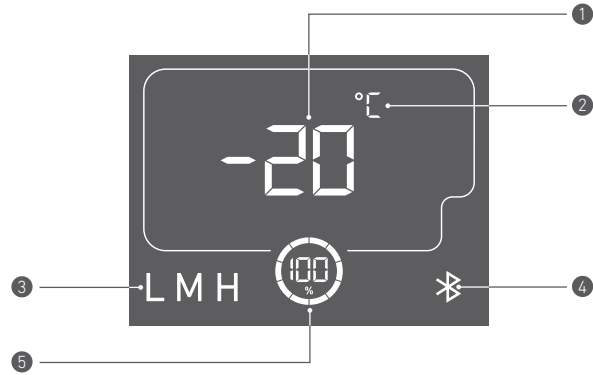


① Cooler Cover	⑤ Wheels
② LCD Screen	⑥ Screwdriver
③ Handle	⑦ Tray Table
④ Battery Cover	



Prop up the tray and set up the kickstand underneath the cooler.

LCD Screen

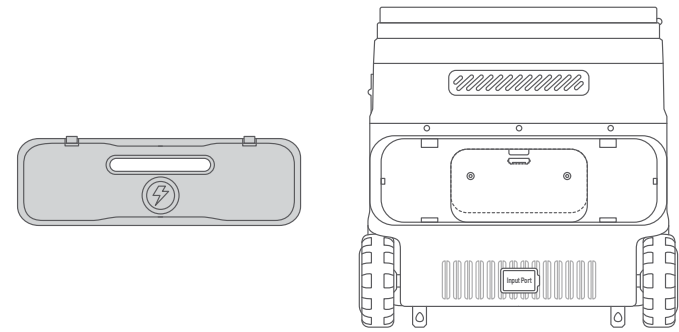


① Temperature	④ Bluetooth
② Temperature Unit	⑤ Remaining Battery in Percentage (if using battery to power)
③ Voltage Protection Level	

Powering Your Cooler

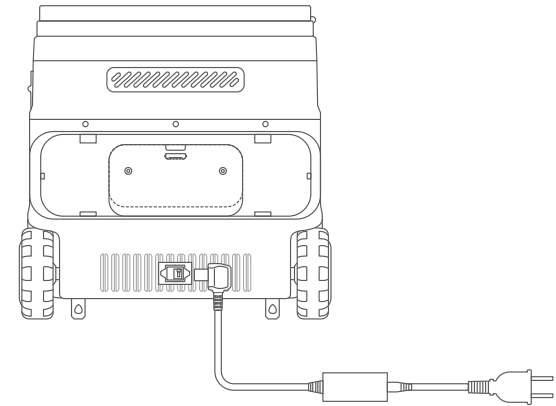
We do not recommend using multiple charging methods at the same time.

Without the Battery



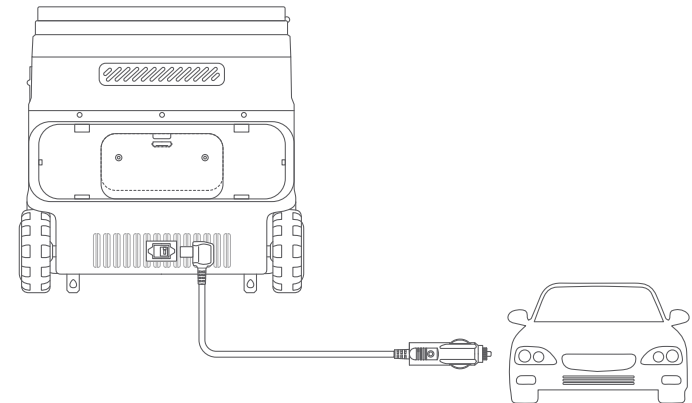
AC Power

Power the cooler by connecting to a wall outlet with the AC charging cable.

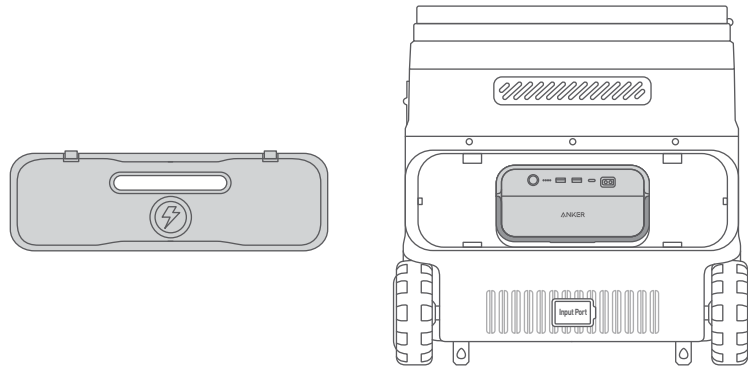


Power via Car

Connect the cooler to a car's output port with the car charging cable.

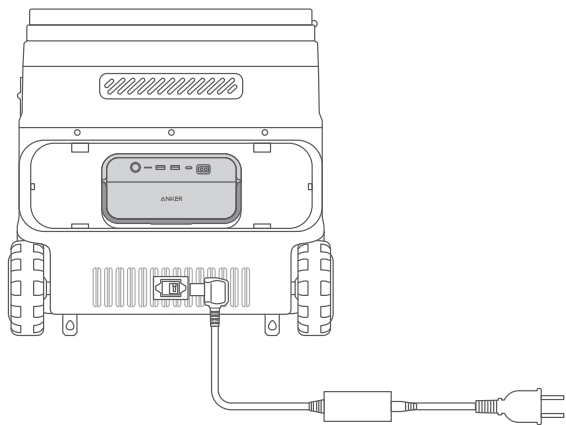


With the Battery



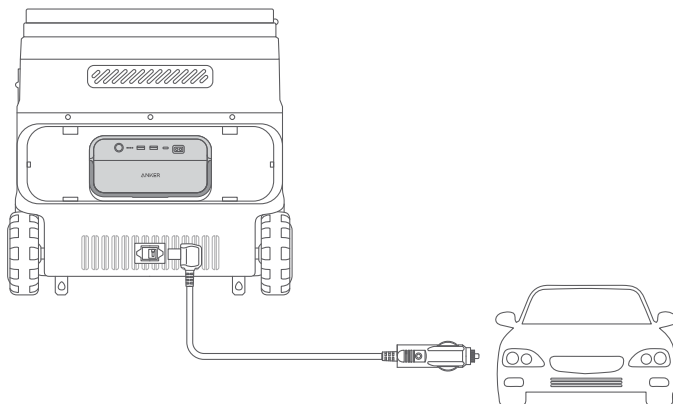
AC Power

Power the cooler by connecting to a wall outlet with the AC charging cable.



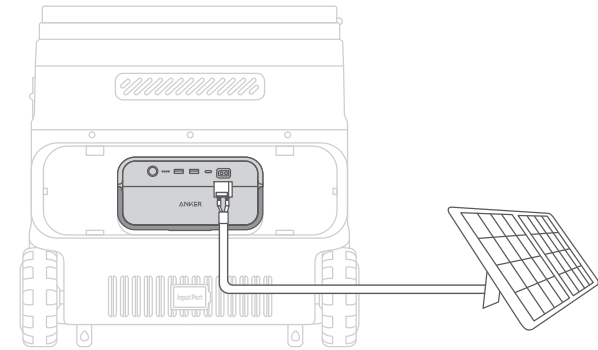
Power via Car

Connect the cooler to a car's output port with the car charging cable.



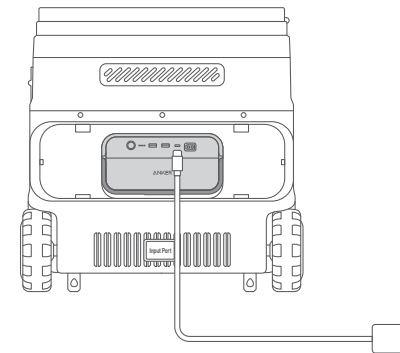
Recharging via Solar Panel

Power the cooler by connecting the battery to a solar panel with an XT-60 to XT-60 cable.



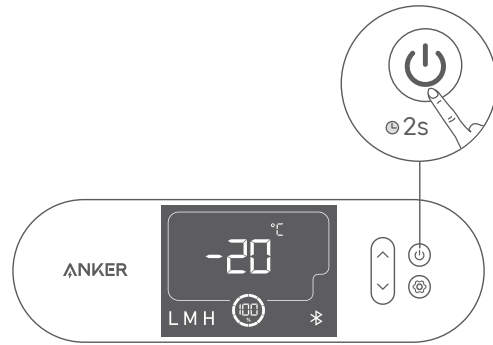
USB-C Recharging

Power the cooler by connecting the battery to a wall outlet with the USB-C cable.

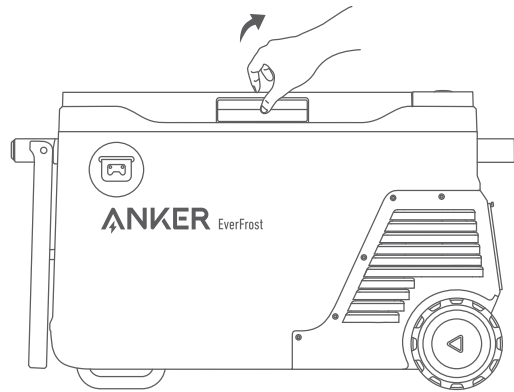


Using Your Cooler

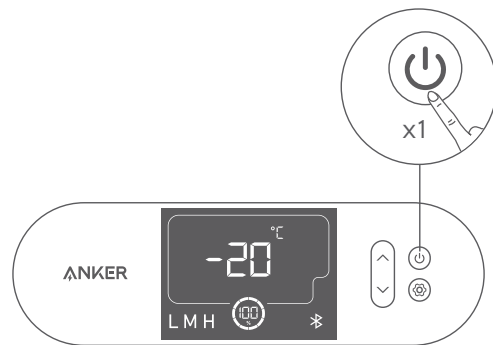
1. Press the power button for two seconds to turn on your cooler. The LCD screen will light up.



2. Push the cover up to open the cooler.

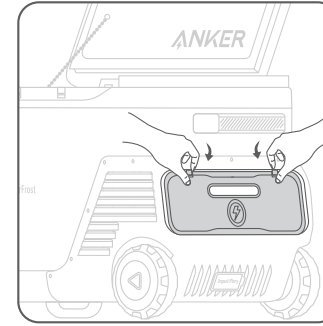


3. Press the power button once to light up the LCD screen.

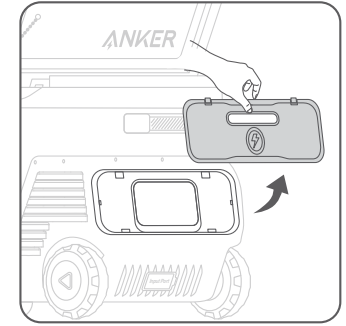


Installing the battery

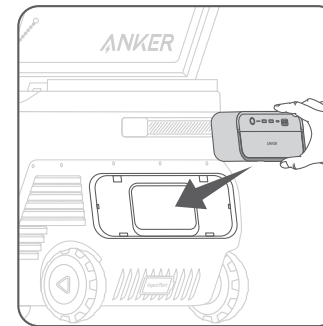
Press the snap-fits to remove the battery cover. Place the battery inside and you will hear a click when the installation is successful. Then, place the battery cover back.



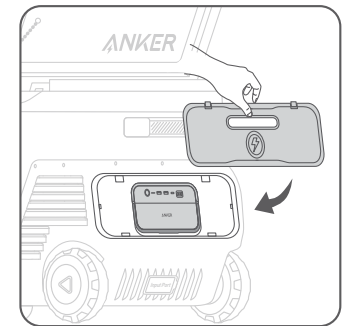
1



2



3

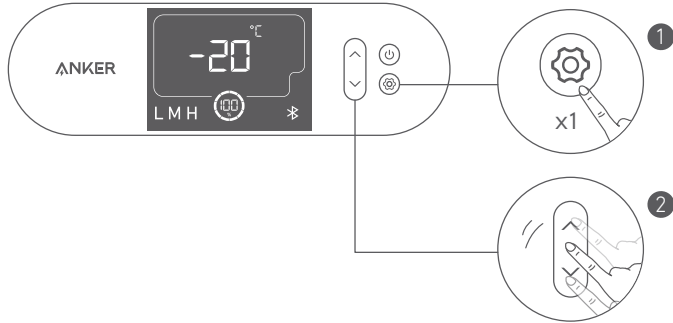


4

 The battery cover will automatically open when lifted up.

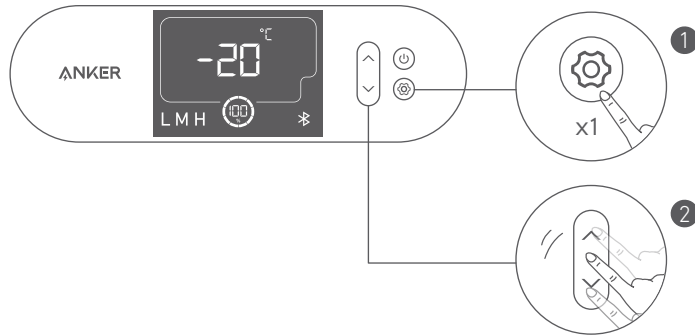
Setting the Temperature

To enter the temperature adjustment mode, press the settings button until the temperature number flashes. Press the up or down buttons to adjust the zone temperature, and confirm your temperature by pressing the settings button again.



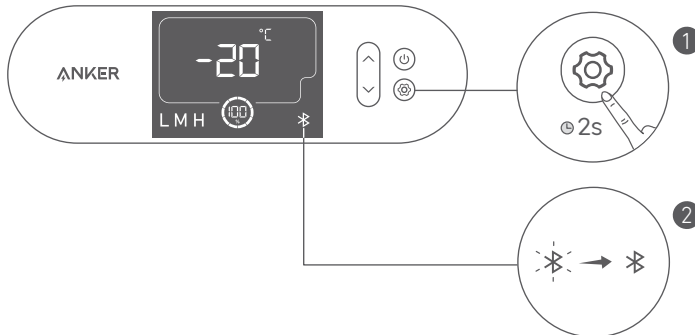
Setting the Temperature Unit

To enter the temperature adjustment mode, press the settings button until the temperature unit icon flashes. Press the up or down buttons to choose between "Celsius/Fahrenheit," and confirm the unit by pressing the settings button again.



Bluetooth

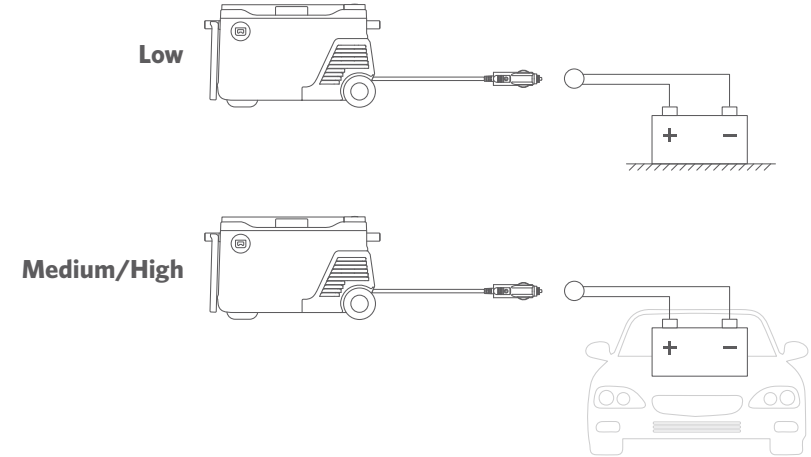
Press the settings button for 2 seconds to turn on Bluetooth. The Bluetooth icon on the screen will flash. It will automatically connect to your phone with Bluetooth on, and the icon will turn steady white.



The Bluetooth function will be turned off after 12 hours without any connection.

Car Battery Protection Grades

To enter the voltage level adjustment mode, press the settings button until the voltage level icon flashes. Press the up or down buttons to choose between "L/M/H," and confirm it by pressing the settings button again. Select "M/H" gear when the product is powered via a car. It's recommended to select "L" gear when powered by an independent power supply.



	12V		24V	
	Operating voltage	Start-up voltage	Operating voltage	Start-up voltage
High	12V	12.5V	24.7V	26.1V
Medium	11.4V	12.2V	24.3V	25.3V
Low	10.4V	11.3V	21.9V	22.9V

When the car's battery voltage is lower than the set value without the battery, your cooler will stop working. When the car's battery voltage is lower than the set value, the cooler switches to its own battery for power supply. Once the car battery is restored, it switches to the car battery's power source.

The Anker App for Smart Control

You can remotely control your powered cooler using the Anker app. Please download the app and its user manual by scanning this QR code.

Connect the device to a network before using the app for the first time. After connecting successfully, you can connect your devices off-grid.



The Bluetooth function will be turned off after 12 hours without any connection.

Specifications

Storage Capacity	43L
Battery Capacity	299Wh
AC Input Voltage	100V-240V, 50Hz/60Hz
AC Input Power	95W Max
DC Input	5.5A(12V)/ 2.5A(24V)
Refrigerant	R1234yf (30g)
Size	73.2 x 43.0 x 48.7cm
Net Weight	21.8kg/48lb
Temperature Range In the Fridge	-20 ~ 20° C / -4~68° F
Operating Temperature Range	0 - 40°C / 32 ~ 104° F

Troubleshooting

- Reminder to Close Doors: The buzzer will send a reminder if the cooler's cover is not closed for more than 180 seconds.
- The cooler will stop working if the tilt angle exceeds 30 degrees. Place it horizontally, and it will resume normal operation in 5 minutes.

FAQ

Q1: How long does the cooler's battery last when fully charged?

The battery capacity of the cooler is 299Wh. When the cooler's temperature is at 25°C (77° F) ambient temperature, it will run for 35.8 hours with 4°C (39.2° F) storage temperature.

Q2: What ambient temperature can the cooler be used normally?

The recommended ambient temperature is 32°F - 104°F (0 - 40°C).

Q3: What should I do when using a solar charger to charge Anker EverFrost Powered Cooler?

The solar input supports an 11-30V solar charger with an XT-60 connector. We recommend using Anker 100W Solar Panel to get the best compatibility.

Anker EverFrost Powered Cooler Warranty Policy

This Anker EverFrost Powered Cooler purchased on AnkerDirect and Anker authorized resellers to come with a limited warranty ("warranty") as set out below. By using an Anker EverFrost Powered Cooler, you agree to be bound by the terms of the Anker limited warranty.

2-year limited warranty for Anker EverFrost Powered Cooler and 3-year limited warranty for the compressor for purchases made on AnkerDirect and Anker authorized resellers. The warranty period starts from the date of purchase.

Anker's limited warranty is restricted to the country of purchase. The limited warranty is void on items taken outside the country they were originally bought in or shipped to directly from an authorized online purchase.

Exclusions and Limitations

Not covered under warranty:

- Products that are damaged or modified.
- Products operated with a damaged cord, plug, or output cable.
- Products that are disassembled.
- Products that are cleaned with harmful chemicals or detergents.
- Non-quality related issues (after 30 days of purchase).
- Products purchased from unauthorized resellers.
- Products without sufficient proof of purchase.
- Products that have been refunded.
- Products with an expired warranty.
- Lost, stolen, or free products.
- Damage from outside sources.
- Repairs through 3rd parties.
- Damage from misuse of products (including, but not limited to falls, use of the product in excess of its output rating, exposure of the product to rain or snow, extremely low air pressure, extreme temperatures).
- Purchases from illegitimate sources.
- Batteries that are damaged when not used for a long time or not properly maintained according to the user manual.

Anker is Not Liable For:

- Loss of data incurred from the use of Anker products.
- Returning personal items sent to Anker.

When returning items with a prepaid shipping label provided by Anker, Anker takes responsibility for any damage or loss incurred in transit. When returning items for non-quality issues, the buyer assumes responsibility for any damage or loss incurred in transit. Anker does not provide refunds for items damaged in transit due to non-quality related warranty claims.

Refund and Warranty Claims

For more details please refer to www.anker.com/anker-portable-power-station-warranty-policy

For warranty claims, you can send an email to:

US/CA/UK/DE/JP market: support@anker.com

MEA market: support.mea@anker.com

CN market: CED-CN@anker.com

Or you can call us at:

US/CA: +1 (800) 988 7973 UK: +44(0)1604 936 200

DE: +49(0)69 9579 7960 JP: +81 03 4455 7823

UAE: +971 8000 320 817 KSA: +966 8008 500 030

Kuwait: +965 2206 9086 Egypt: +20 8000 000 826

AU: +61 3 8331 4800 TR: +90(850)460 1414

RU: +8(800)511 8623 CN: +86 400 0550 036

KR: +82 0216 7070 98 IN: +91 1800 3138 831

Middle East & Africa: +971 4242 8633

Valid Proof of Purchase

Please refer to: <https://us.anker.com/policies/refund-policy>

Shipping Costs Must Be Covered by the Buyer in the Following Situations

Please refer to: <https://us.anker.com/policies/refund-policy>

This page is attached to the Anker warranty page, and Anker reserves the right of final interpretation of the content.

Register Your Anker PowerHouse Today

Why Register?

1. Hassle-Free Warranty: Confirm the 2-year limited warranty for your Anker EverFrost Powered Cooler and 3-year limited warranty for the compressor.
2. Fast Customer Service: Enjoy exclusive customer service and get what you need quickly.
3. Receive the Latest News: Get exclusive first looks at new products and instant updates on official events.



- Scan the QR code below to enter the smart self-service page for more information about your Anker EverFrost.



Achtung



In Flugzeugen nicht erlaubt.

Wichtige Sicherheitshinweise

GWP: R1234yf: 4

Dieses Gerät ist nicht zur Verwendung durch Personen (einschließlich Kinder) mit eingeschränkten körperlichen, sensorischen oder geistigen Fähigkeiten oder mangelnder Erfahrung und Kenntnissen bestimmt, es sei denn, sie werden von einer für ihre Sicherheit verantwortlichen Person beaufsichtigt oder in die Benutzung des Geräts eingewiesen.

Kinder müssen beaufsichtigt werden, um sicherzustellen, dass sie nicht mit diesem Gerät spielen.

Dieses Gerät kann von Kindern ab 8 Jahren und darüber sowie von Personen mit verringerten physischen, sensorischen oder mentalen Fähigkeiten oder Mangel an Erfahrung und Wissen benutzt werden, wenn sie beaufsichtigt oder bezüglich des sicheren Gebrauchs des Geräts unterwiesen wurden und die daraus resultierenden Gefahren verstehen. Die Reinigung und Benutzerwartung sollte nicht von Kindern ohne Aufsicht durchgeführt werden.

Kinder im Alter von 3 bis 8 Jahren dürfen **Kühlgeräte** be- und ausladen.

Kühlgeräte können von Kindern ab 3 Jahren und darüber sowie von Personen mit verringerten physischen, sensorischen oder mentalen Fähigkeiten oder Mangel an Erfahrung und Wissen benutzt werden, wenn sie beaufsichtigt oder bezüglich des sicheren Gebrauchs des Geräts unterwiesen wurden und die daraus resultierenden Gefahren verstehen.

Kinder unter 3 Jahren sollten vom Gerät ferngehalten werden, wenn sie nicht ständig beaufsichtigt werden.

Das Gerät darf nur mit dem mitgelieferten Netzteil betrieben werden.

Wenn das Netzkabel beschädigt ist, muss es vom Hersteller, seinem Kundendienst oder einer ähnlich qualifizierten Person ersetzt werden, um Gefahren zu vermeiden.

Die Anleitungen für Geräte, die Akkus enthalten, die zum Austausch durch den Benutzer vorgesehen sind, müssen Folgendes enthalten

- Akkutyp: Lithium-Ionen-Akku (A17B5)
- Bei der Entsorgung eines Akkus in Feuer oder einem heißen Ofen sowie beim mechanischen Zerquetschen oder Zerschneiden eines Akkus besteht Explosionsgefahr.
- VORSICHT: Bei Austausch des Akkus durch einen ungeeigneten Akkutyp besteht Explosionsgefahr. Verwenden Sie keine nicht-aufladbaren Batterien!
- Die Lagerung oder Nutzung eines Akkus bei extrem niedrigem Luftdruck kann zu einer Explosion oder zum Austreten von brennbaren Flüssigkeiten oder Gasen führen. Unter unsachgemäßen Bedingungen kann Flüssigkeit aus der Batterie auslaufen. Vermeiden Sie den Kontakt. Bei versehentlichem Kontakt mit Wasser ausspülen. Wenn Flüssigkeit in Ihre Augen gelangt, suchen Sie einen Arzt auf, da sie Reizungen oder Verbrennungen verursachen kann.
- Der Akku muss aus dem Gerät genommen werden, bevor es entsorgt wird.
- Dieses Gerät muss vom Stromnetz getrennt werden, wenn der Akku entfernt wird.
- Entsorgen Sie den Akku nicht in Hitze oder Feuer.

Trennen Sie bei der Entsorgung von Sekundärzellen oder Akkus Zellen oder Akkus verschiedener

elektrochemischer Systeme voneinander.

WARNUNG: Verwenden Sie zum Aufladen des Akkus ausschließlich das mit diesem Gerät mitgelieferte abnehmbare Netzteil.

Wenn das Gerät an die Gleichstromversorgung angeschlossen ist, darf es nur mit der durch die Kennzeichnung auf dem Gerät angegebenen Sicherheitsspannung versorgt werden.



Abnehmbares Netzteil

Trennen Sie das Gerät vor der Reinigung und Wartung von der Stromversorgung.

- Geeignet für Camping.
- Setzen Sie das Gerät keinem Regen aus.
- Bewahren Sie keine explosiven Substanzen wie Spraydosen mit entflammbarem Treibgas in diesem Gerät auf.
- **WARNUNG:** Halten Sie die Lüftungsöffnungen im Gerätegehäuse bzw. in der Einbaustruktur frei von Hindernissen.
- **WARNUNG:** Verwenden Sie keine mechanischen Geräte oder anderen Mittel zur Beschleunigung des Auftauprozesses als diejenigen, die von dem Hersteller empfohlen wurden.
- **WARNUNG:** Achten Sie darauf, den Kühlkreislauf nicht zu beschädigen.
- **WARNUNG:** Verwenden Sie in den für Lebensmittel vorgesehenen Aufbewahrungsfächern des Kühlschranks keine elektrischen Geräte, sofern diese nicht über die Typenzulassung des Herstellers verfügen.



WARNUNG: Brandgefahr/brennbare Materialien.

WARNUNG: Achten Sie beim Aufstellen des Geräts darauf, dass das Netzkabel nicht eingeklemmt oder beschädigt wird.

WARNUNG: Platzieren Sie keine Mehrfachsteckdosen oder tragbare Netzteile an der Rückseite des Geräts.

Um eine Kontamination von Lebensmitteln zu vermeiden, lesen Sie bitte die folgenden Anweisungen:

- Ein längeres Öffnen der Tür kann zu einem erheblichen Temperaturanstieg in den Fächern des Geräts führen.
- Reinigen Sie regelmäßig Oberflächen, die mit Lebensmitteln in Berührung kommen können, und zugängliche Entwässerungssysteme.
- Reinigen Sie den Wassertank, wenn er 48 Stunden lang nicht in Gebrauch war. Spülen Sie das an eine Wasserversorgung angeschlossene Wassersystem, wenn 5 Tage lang kein Wasser entnommen wurde.
- Lagern Sie rohes Fleisch und rohen Fisch in geeigneten Behältern im Kühlschrank, damit sie nicht mit anderen Lebensmitteln in Berührung kommen.
- Wenn das Gerät längere Zeit leer steht, schalten Sie es aus, tauen Sie es ab, reinigen Sie es, trocknen Sie es und lassen Sie die Tür offen, um Schimmelbildung im Gerät zu vermeiden.



Konformitätserklärung

Dieses Produkt erfüllt die Anforderungen der Europäischen Gemeinschaft an Funkstörungen. Anker Innovations Limited erklärt hiermit, dass Produkttyp A17A1 die Funkanlagenrichtlinie 2014/53/EU erfüllt. Der vollständige Text der EU-Konformitätserklärung ist unter der folgenden Website verfügbar: <https://www.anker.com>.

Maximale Ausgangsleistung: +4 dBm (für EU)

Frequenzband: 2,4 G-Band (2,4000 GHz - 2,4835 GHz)



GB-Konformitätserklärung

Anker Innovations Limited erklärt hiermit, dass dieses Produkt die Funkanlagenrichtlinie 2017 erfüllt. Der vollständige Text der GB-Konformitätserklärung ist auf der folgenden Website verfügbar: <https://www.anker.com>.

Der folgende Importeur ist verantwortlich für EU- und UK-Belange.

Anker Technology (UK) Ltd

GNR8, 49 Clarendon Road, Watford, Hertfordshire, WD17 1HP, United Kingdom

Anker Innovations Deutschland GmbH

Georg-Muche-Strasse 3, 80807 Munich, Germany

Bluetooth: Die Bluetooth®-Wortmarke und -Logos sind eingetragene Marken der Bluetooth SIG, Inc. und jede Verwendung dieser Marken durch Anker Innovations Limited erfolgt unter Lizenz. Andere Marken und Markennamen sind Eigentum ihrer jeweiligen Inhaber.

Hersteller:

Anker Innovations Limited

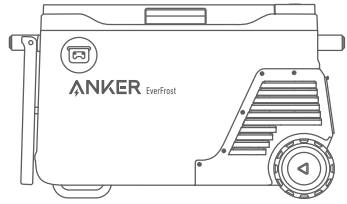
Room 1318-19, Hollywood Plaza, 610 Nathan Road, Mongkok, Kowloon, Hong Kong

Dieses Kühlgerät ist nicht als Einbaugerät vorgesehen.



Dieses Symbol bedeutet, dass das Produkt nicht als Hausmüll entsorgt werden darf. Stattdessen ist es an der jeweiligen Sammelstelle für das Recycling von Elektro- und Elektronikgeräten abzugeben.

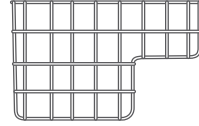
Lieferumfang



Anker EverFrost Powered Cooler 40



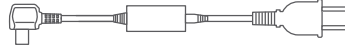
Anker-Akku für Kühlbox mit Stromanschluss



Ablagekorb



Auto-Ladekabel



Netzteil und Ladekabel

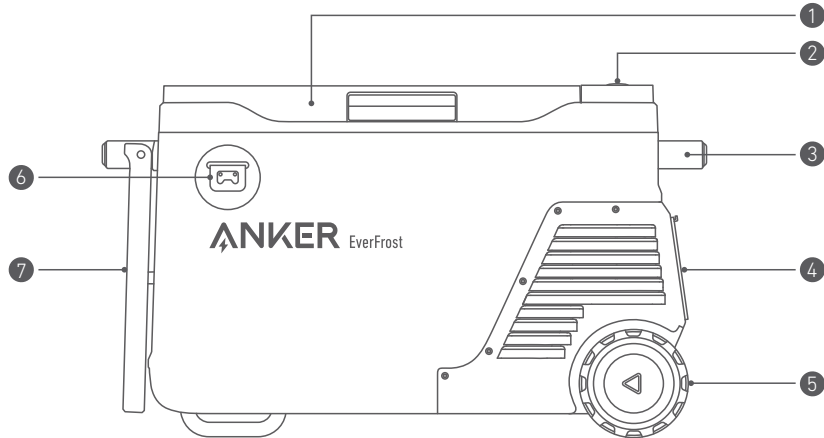


XT-60-Kabel



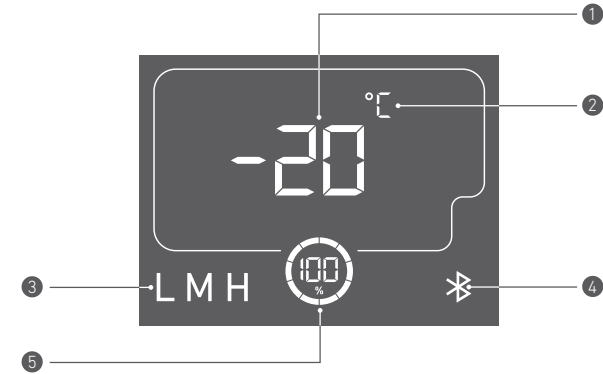
Benutzerhandbuch

Overview



1 Kühlboxabdeckung	5 Räder
2 LCD-Bildschirm	6 Schraubendreher
3 Griff	7 Tabletttisch
4 Batteriefachabdeckung	

LCD-Bildschirm



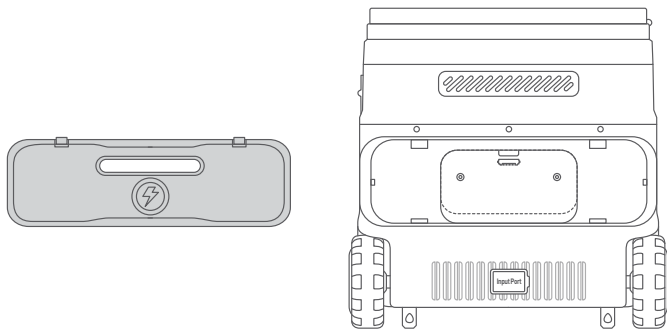
1 Temperatur	4 Bluetooth
2 Temperature Unit	5 Verbleibende Akkuleistung in Prozent (bei Verwendung eines Akkus zur Stromversorgung)
3 Schutzpegel	

Stützen Sie das Tablett ab und stellen Sie den Ständer unter der Kühlbox auf.

Stromversorgung der Kühlbox

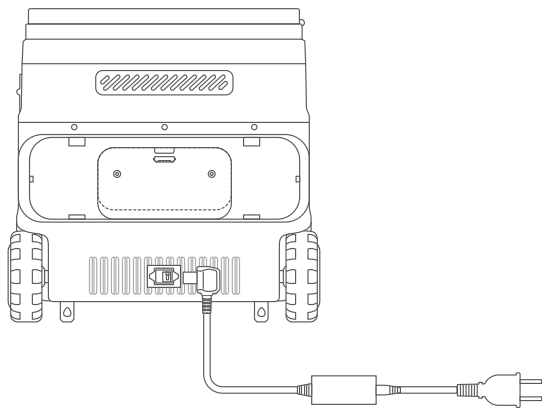
Wir raten davon ab, mehrere Lademethoden gleichzeitig zu verwenden.

Ohne Akku



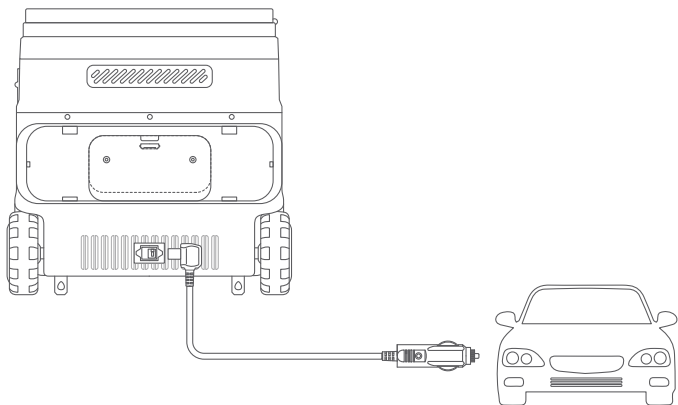
Wechselstrom

Versorgen Sie die Kühlbox mit Strom, indem Sie sie mit dem AC-Ladekabel an eine Steckdose anschließen.

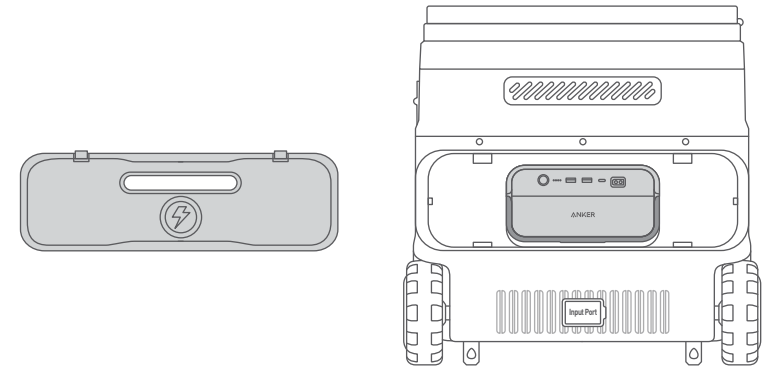


Stromversorgung über ein Auto

Schließen Sie die Kühlbox mit dem Autoladekabel an den Ausgangsanschluss im Auto an.

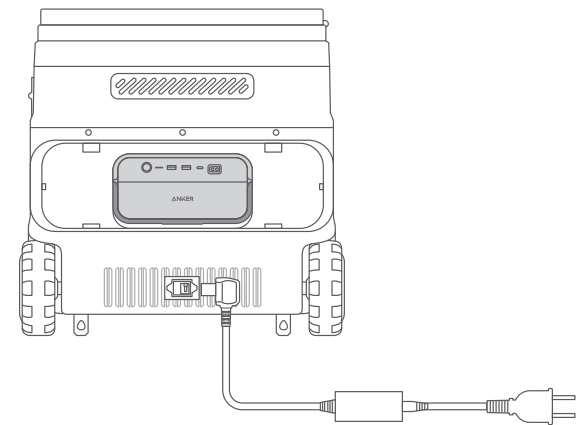


Mit Akku



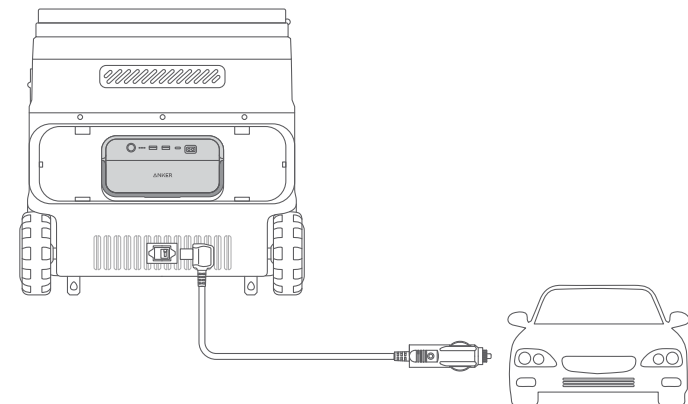
Wechselstrom

Versorgen Sie die Kühlbox mit Strom, indem Sie sie mit dem AC-Ladekabel an eine Steckdose anschließen.



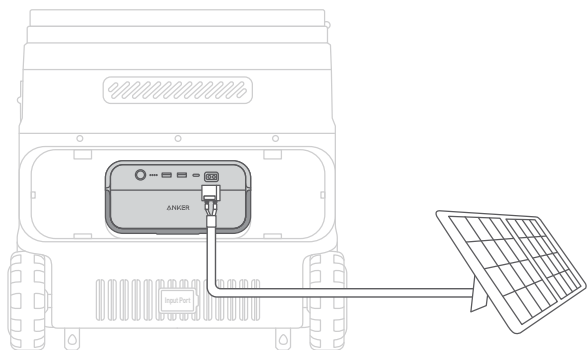
Stromversorgung über ein Auto

Schließen Sie die Kühlbox mit dem Autoladekabel an den Ausgangsanschluss im Auto an.



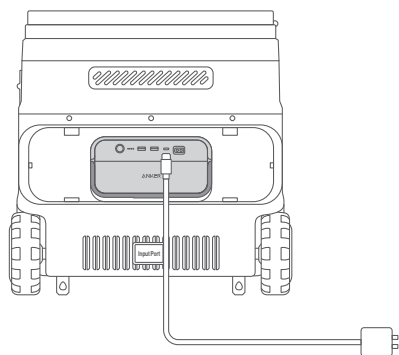
Aufladen über Solarmodul

Versorgen Sie die Kühlbox mit Strom, indem Sie den Akku mit einem XT-60 auf XT-60 Kabel an ein Solarmodul anschließen.



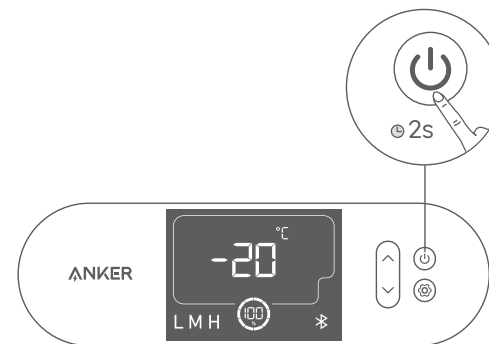
Aufladen über USB-C

Versorgen Sie die Kühlbox mit Strom, indem Sie den Akku mit dem USB-C-Kabel an eine Steckdose anschließen.

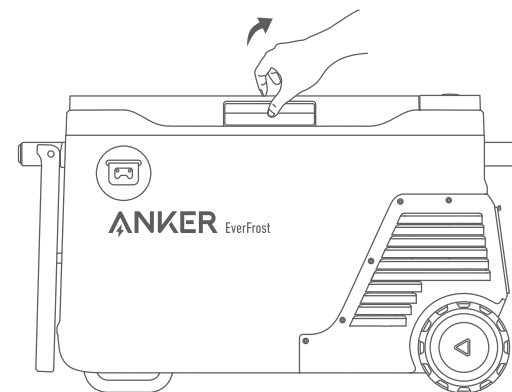


Verwenden Ihrer Kühlbox

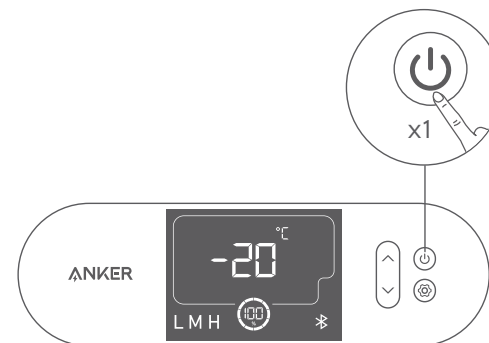
1. Halten Sie zum Einschalten der Kühlbox die Ein-/Aus-Taste zwei Sekunden lang gedrückt. Der LCD-Bildschirm leuchtet auf.



2. Schieben Sie die Abdeckung nach oben, um die Kühlbox zu öffnen.

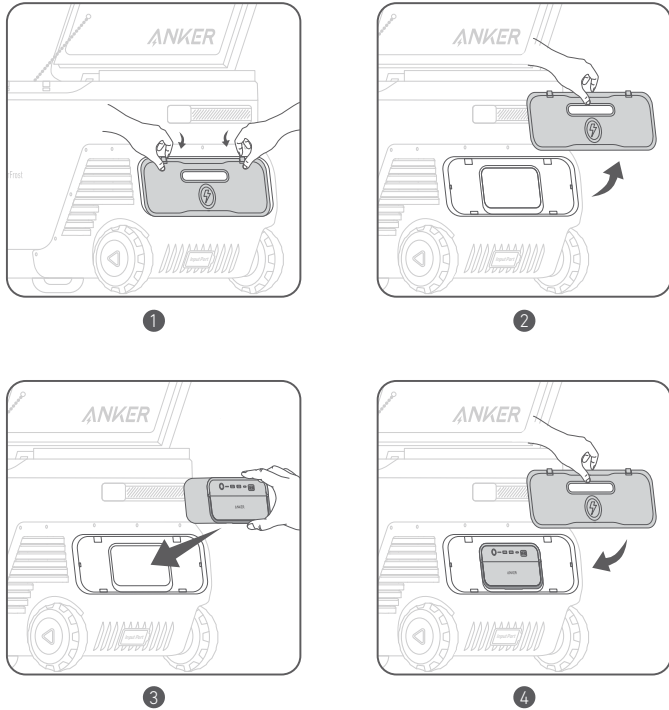


3. Drücken Sie die Ein-/Aus-Taste einmal, um den LCD-Bildschirm einzuschalten.



Einlegen des Akkus

Drücken Sie auf die Schnappverschlüsse, um die Batteriefachabdeckung zu entfernen. Legen Sie den Akku ein. Sie hören ein Klicken, wenn der Vorgang erfolgreich war. Bringen Sie dann die Batteriefachabdeckung wieder an.

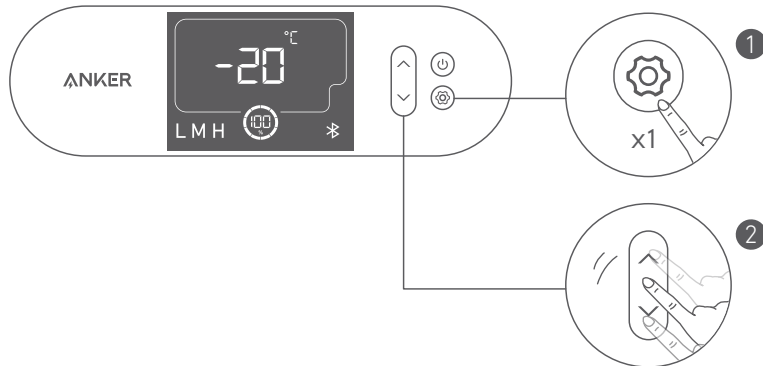


 Die Batteriefachabdeckung öffnet sich automatisch, wenn sie angehoben wird.

Einstellen der Temperatur

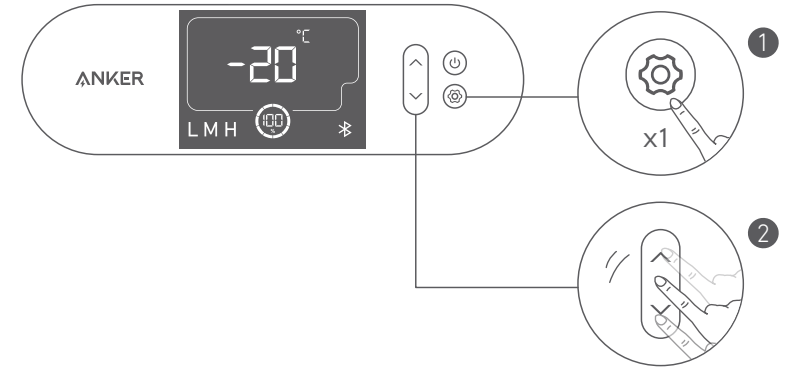
Um in den Temperaturanpassungsmodus zu gelangen, drücken Sie die Einstellungstaste, bis der Temperaturwert blinkt.

Drücken Sie die Aufwärts- oder Abwärtstaste, um die Temperatur der Zone einzustellen, und bestätigen Sie die gewünschte Temperatur durch erneutes Drücken der Einstellungstaste.



Einstellen der Temperatureinheit

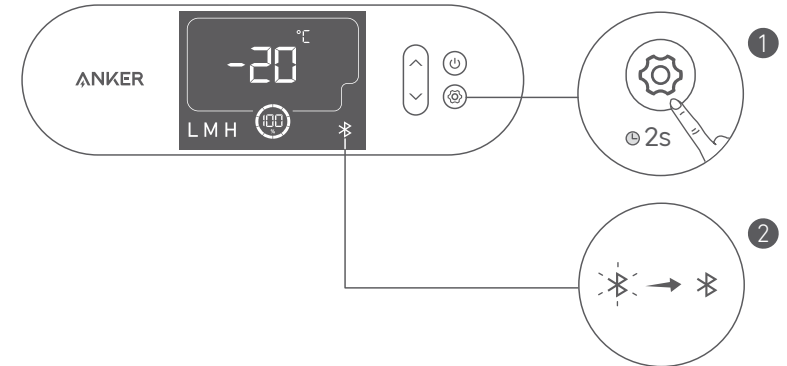
Um in den Temperaturanpassungsmodus zu gelangen, drücken Sie die Einstellungstaste, bis die Temperatureinheit blinkt. Drücken Sie die Aufwärts- oder Abwärtstaste, um zwischen „Celsius/Fahrenheit“ zu wählen, und bestätigen Sie die gewünschte Einheit durch erneutes Drücken der Einstellungstaste.



Bluetooth

Halten Sie zum Aktivieren von Bluetooth die Einstellungstaste 2 Sekunden lang gedrückt. Das Bluetooth-Symbol auf dem Bildschirm blinkt.

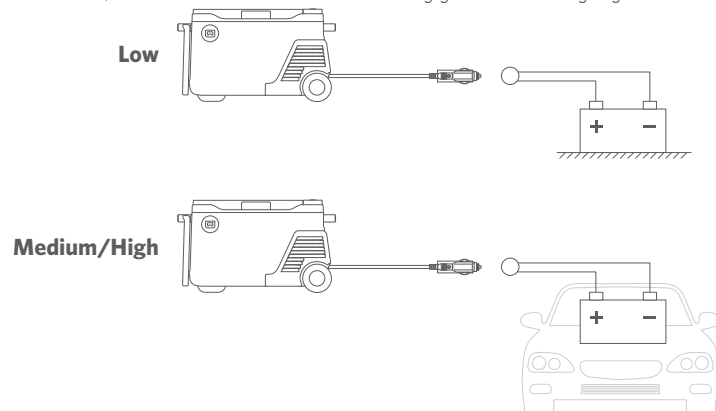
Es wird automatisch eine Verbindung zu Ihrem Telefon mit aktiviertem Bluetooth hergestellt und das Symbol leuchtet dauerhaft weiß.



 Die Bluetooth-Funktion schaltet sich nach 12 Stunden ohne Verbindung ab.

Schutzgrade für Autobatterien

Um in den Modus zur Einstellung des Spannungspegels zu gelangen, drücken Sie die Einstellungstaste, bis das Symbol für den Spannungspegel blinkt. Drücken Sie die Aufwärts- oder Abwärtstaste, um zwischen „L/M/H“ zu wählen, und bestätigen Sie dies durch erneutes Drücken der Einstellungstaste. Wählen Sie die Getriebeart „M/H“, wenn das Produkt über ein Auto betrieben wird. Es wird empfohlen, die Getriebeart „L“ zu wählen, wenn das Gerät über eine unabhängige Stromversorgung betrieben wird.



	12 V		24 V	
	Betriebsspannung	Startspannung	Betriebsspannung	Startspannung
Hoch	12 V	12,5 V	24,7 V	26,1 V
Mittel	11,4 V	12,2 V	24,3 V	25,3 V
Niedrig	10,4 V	11,3 V	21,9 V	22,9 V

Wenn die Spannung der Autobatterie unter den eingestellten Wert ohne Batterie sinkt, schaltet sich die Kühlbox ab.

Wenn die Spannung der Autobatterie unter dem eingestellten Wert liegt, schaltet die Kühlbox auf ihre eigene Batterie zur Stromversorgung um. Sobald die Autobatterie wiederhergestellt ist, schaltet sie auf die Autobatterie als Stromquelle um.

Die Anker-App zur intelligenten Steuerung

Mit der Anker-App können Sie Ihre Kühlbox mit Stromanschluss aus der Ferne steuern. Laden Sie die App und ihre Bedienungsanleitung herunter, indem Sie diesen QR-Code scannen.

Verbinden Sie das Gerät mit einem Netzwerk, bevor Sie die App zum ersten Mal verwenden. Nach erfolgreicher Verbindung können Sie Ihre Geräte netzunabhängig verbinden.



Technische Daten

Lagerkapazität	43 L
Akkukapazität	299 Wh
AC-Eingangsspannung	100V-240V, 50Hz/60Hz
AC-Eingangsleistung	95W Max
DC-Eingang	5,5A(12V)/ 2,5A(24V)
Kühlmittel	R1234yf (30g)
Abmessungen	73,2 x 43,0 x 48,7cm
Nettogewicht	21,8kg/48lb
Temperaturbereich im Kühlschrank	-20 ~ 20° C
Betriebsstemperaturbereich	0 - 40°C

Fehlerbehebung

- Erinnerung an das Schließen der Türen: Der Summer sendet eine Erinnerung, wenn der Deckel der Kühlbox länger als 180 Sekunden nicht geschlossen ist.
- Die Kühlbox funktioniert nicht mehr, wenn der Neigungswinkel mehr als 30 Grad beträgt. Stellen Sie sie waagrecht auf und sie nimmt innerhalb von 5 Minuten den normalen Betrieb wieder auf.

FAQ

F1: Wie lange hält der Akku der Kühlbox bei vollständiger Aufladung?

Die Akkukapazität der Kühlbox beträgt 299 Wh. Wenn die Umgebungstemperatur der Kühlbox 25 °C beträgt, läuft sie 35,8 Stunden lang bei einer Lagertemperatur von 4 °C.

F2: Bei welcher Umgebungstemperatur kann die Kühlbox normalerweise genutzt werden?

Die empfohlene Umgebungstemperatur liegt zwischen 0 und 40 °C.

F3: Was kann ich tun, wenn ich ein Solarladegerät zum Laden der Anker EverFrost Powered Cooler verwende?

Der Solareingang unterstützt ein 11-V- bis 30-V-Solarladegerät mit einer XT-60-Buchse. Wir empfehlen die Verwendung des Anker 100-W-Solarmoduls, um die beste Kompatibilität sicherzustellen.

Anker EverFrost Powered Cooler Garantierichtlinie

Für diese Anker EverFrost Powered Cooler die auf AnkerDirect und über autorisierte Anker Wiederverkäufer gekauft wurde, gilt eine eingeschränkte Garantie („Garantie“), wie unten dargelegt. Durch die Verwendung einer Anker EverFrost Powered Cooler stimmen Sie zu, an die Bedingungen der eingeschränkten Garantie von Anker gebunden zu sein.

Wir gewähren eine eingeschränkte Garantie von 2 Jahren für die Anker EverFrost Powered Cooler und von 3 Jahren für den Kompressor für Käufe, die auf AnkerDirect und über autorisierte Anker Wiederverkäufer getätigt wurden. Die Garantiezeit beginnt ab dem Kaufdatum.

Die eingeschränkte Garantie von Anker ist auf das Kaufland beschränkt. Die eingeschränkte Garantie gilt nicht für Artikel, die aus dem Land, in dem sie ursprünglich gekauft oder in das sie direkt von einem autorisierten Online-Kauf versandt wurden, ausgeführt werden.

Ausschlüsse und Beschränkungen

Nicht von der Garantie abgedeckt:

- Beschädigte oder modifizierte Produkte.
- Mit einem beschädigten Kabel, Stecker oder Ausgangskabel betriebene Produkte.
- Demontierte Produkte.
- Mit schädlichen Chemikalien oder Reinigungsmitteln gereinigte Produkte.
- Nicht qualitätsbezogene Probleme (nach 30 Tagen nach dem Kauf).
- Von nicht autorisierten Wiederverkäufern gekaufte Produkte.
- Produkte ohne ausreichenden Kaufnachweis.
- Produkte, die erstattet wurden.
- Produkte mit abgelaufener Garantie.
- Verlorene, gestohlene oder kostenlose Produkte.
- Schäden durch externe Quellen.
- Reparaturen durch Dritte.
- Schäden durch den Missbrauch von Produkten (einschließlich, aber nicht beschränkt auf Stürze, Verwendung des Produkts über seine Nennleistung hinaus, Aussetzen des Produkts von Regen oder Schnee, extrem niedrigem Luftdruck, extremen Temperaturen).
- Käufe aus unrechtmäßigen Quellen.
- Beschädigte Akkus, die über einen längeren Zeitraum nicht verwendet oder nicht entsprechend der Bedienungsanleitung gewartet wurden.

Anker übernimmt keine Haftung für:

- Datenverluste, die durch die Verwendung von Anker-Produkten entstehen.
- Rücksendung von persönlichen Objekten, die an Anker gesendet wurden.

Bei der Rücksendung von Artikeln mit einem von Anker zur Verfügung gestellten, vorausbezahlten Versandetikett übernimmt Anker die Verantwortung für jegliche Schäden oder Verluste, die während des Transports entstehen. Bei der Rücksendung von Artikeln mit nicht qualitätsbezogenen Problemen übernimmt der Käufer die Verantwortung für eventuelle Schäden oder Verluste während des Transports. Anker bietet keine Rückerstattung für Artikel, die während des Transports aufgrund von nicht qualitätsbezogenen Garantieansprüchen beschädigt wurden.

Rückerstattung und Garantieansprüche

Weitere Informationen finden Sie unter www.anker.com/anker-portable-power-station-warranty-policy

Senden Sie eine E-Mail mit Ihren Garantieansprüchen an:

USA/Kanada/GB/DE/Japan: support@anker.com

Nahost und Afrika: support.mea@anker.com

China: CED-CN@anker.com

Sie können uns auch anrufen:

USA/Kanada: +1 (800) 988 7973

DE: +49(0)69 9579 7960

Vereinigte Arabische Emirate: +971 8000 320 817

Kuwait: +965 2206 9086

Australien: +61 3 8331 4800

Russland: +8(800)511 8623

Südkorea: +82 0216 7070 98

Nahost und Afrika: +971 4242 8633

UK: +44(0)1604 936 200

Japan: +81 03 4455 7823

Königreich Saudi-Arabien: +966 8008 500 030

Ägypten: +20 8000 000 826

Türkei: +90(850)460 1414

China: +86 400 0550 036

Indien: +91 1800 3138 831

Gültiger Kaufnachweis

Weitere Informationen finden Sie unter: <https://us.anker.com/policies/refund-policy>

Die Versandkosten müssen in den folgenden Situationen vom Käufer getragen werden

Weitere Informationen finden Sie unter: <https://us.anker.com/policies/refund-policy>

Diese Seite ist an die Garantieseite von Anker angehängt und Anker behält sich das Recht auf letztliche Interpretation des Inhalts vor.

Registrieren Sie Ihre Anker EverFrost noch heute

Warum registrieren?

1. Problemlose Garantie: Bestätigen Sie die 2-Jahres-Garantie für Ihre Anker EverFrost Powered Cooler und die 3-Jahres-Garantie für den Kompressor.
2. Schneller Kundendienst: Genießen Sie exklusiven Kundenservice und erhalten Sie schnell, was Sie brauchen.
3. Erhalten Sie die neuesten Nachrichten: Erhalten Sie exklusive erste Blicke auf neue Produkte und sofortige Updates zu offiziellen Veranstaltungen.



- Scannen Sie den nachstehenden QR-Code, um die intelligente Selbstbedienungsseite für weitere Informationen über Ihre Anker EverFrost aufzurufen.



Atención



No se permite usar en aviones.

Instrucciones de seguridad importantes

GWP: R1234yf: 4

Este aparato no lo pueden utilizar personas (niños incluidos) con capacidades físicas, sensoriales o mentales reducidas, o con falta de experiencia y conocimientos, a menos que se les vigile o reciban instrucciones sobre el uso del aparato de una persona responsable de su seguridad.

Los niños deben estar bajo vigilancia para evitar que jueguen con el aparato.

Este aparato lo pueden utilizar niños a partir de 8 años y personas con capacidades físicas, sensoriales o mentales reducidas, o con falta de experiencia y conocimientos, si han recibido supervisión o instrucciones sobre el uso seguro del aparato y comprenden los peligros que comporta. Los niños no deben realizar la limpieza ni el mantenimiento sin supervisión.

Los niños de 3 a 8 años pueden cargar y descargar **aparatos de refrigeración**.

Los aparatos de refrigeración lo pueden utilizar niños a partir de 3 años y personas con capacidades físicas, sensoriales o mentales reducidas, o con falta de experiencia y conocimientos, si han recibido supervisión o instrucciones sobre el uso seguro del aparato y comprenden los peligros que comporta.

Los niños menores de 3 años deben estar alejados de estos a menos que se los vigile en todo momento.

El aparato solo se debe utilizar con la unidad de alimentación incluida con el aparato.

Si el cable de corriente está dañado, lo deberá reemplazar el fabricante, el responsable del servicio técnico o una persona igualmente cualificada para evitar posibles peligros.

Las instrucciones de aparatos que incorporen baterías o pilas que el usuario tenga que reemplazar deberán incluir lo siguiente:

- Tipo de batería: batería de iones de litio recargable (A17B5)
- Si tira la batería al fuego o la pone en un horno caliente, así como si la aplasta o la corta por medios mecánicos, podría provocar una explosión.
- PRECAUCIÓN: Puede existir riesgo de explosión si la batería se sustituye por otra de tipo incorrecto. No utilice baterías que no sean recargables.
- Si la batería se somete a una presión de aire extremadamente baja, podría causar una explosión o fugas de líquidos o gases inflamables. Si se usa de forma indebida, el líquido podría salirse de la batería y debe evitar tocarlo. Si se produce contacto por accidente, lave la zona con agua. Si le entra líquido en los ojos, busque ayuda médica ya que puede causar irritación o quemaduras.
- La batería debe sacarse del aparato antes de tirarlo o desecharlo.
- El aparato debe estar desconectado de la red eléctrica al retirar la batería.
- No arroje la batería al calor o al fuego.

Al desechar pilas secundarias o baterías que tengan diferentes componentes electroquímicos, procure ponerlas separadas unas de otras.

ADVERTENCIA: Para recargar la batería, utilice únicamente la unidad de alimentación extraíble que viene incluida con el aparato.

Al conectarlo a una toma de corriente de CC, el aparato solo debe alimentarse con el valor de tensión de seguridad indicado en el etiquetado del aparato.



Unidad de alimentación extraíble

Desenchufe la fuente de alimentación antes de realizar las tareas de limpieza y mantenimiento.

- Es apto para acampar.
- El aparato no debe exponerse a la lluvia.

No guarde sustancias explosivas, como latas de aerosol con combustible inflamable, en este aparato.

- ADVERTENCIA: Deje abiertos y sin obstrucciones los conductos de ventilación de la carcasa del aparato o de la estructura integrada.
- ADVERTENCIA: No utilice dispositivos mecánicos u otros medios para acelerar el proceso de descongelación que sean distintos a los recomendados por el fabricante.
- ADVERTENCIA: No dañe el circuito de refrigeración.
- ADVERTENCIA: No utilice aparatos eléctricos dentro de los compartimentos de almacenamiento de alimentos del aparato, a menos que sean del tipo recomendado por el fabricante.



ADVERTENCIA: Riesgo de incendio/materiales inflamables.

ADVERTENCIA: Al colocar el aparato, asegúrese de que el cable de corriente no quede atrapado ni presente daños.

ADVERTENCIA: No coloque varias tomas de corriente o fuentes de alimentación portátiles en la parte de atrás del aparato.

Para evitar que los alimentos se contaminen, lea las siguientes instrucciones:

- Si deja mucho tiempo abierta la puerta, esto podría dar lugar a un aumento significativo de la temperatura en los compartimentos del aparato.
- Limpie frecuentemente las superficies que puedan entrar en contacto con los alimentos y los sistemas de drenaje accesibles.
- Limpie los depósitos de agua si no se utilizan durante 48 horas. Descargue el sistema de agua conectado al suministro si no se ha sacado agua durante 5 días.
- Conserve la carne y el pescado crudos en recipientes adecuados en la nevera para que no entren en contacto con otros alimentos.
- Si el aparato se ha dejado vacío durante mucho tiempo, apáguelo, descongélelo, límpielo, séquelo y deje la puerta abierta para evitar que se forme moho en el interior.



Declaración de conformidad

Este producto cumple con la normativa en materia de radiointerferencias de la Comunidad Europea. Por la presente, Anker Innovations Limited declara que el equipamiento de radio tipo A17A1 cumple con la directiva 2014/53/UE. El texto completo de la declaración de conformidad de la UE está disponible en el siguiente sitio web: <https://www.anker.com>.

Potencia de salida máxima: +4 dBm (para la UE)

Banda de frecuencia: Banda de 2,4 G (2,4000 GHz - 2,4835 GHz)



Declaración de conformidad de Reino Unido

Por la presente, Anker Innovations Limited declara que el producto cumple con las regulaciones en materia de equipos de radio de 2017. El texto completo de la declaración de conformidad de Reino Unido está disponible en el siguiente sitio web: <https://www.anker.com>.

La siguiente empresa importadora es la parte responsable en el ámbito de la UE y Reino Unido.

Anker Technology (UK) Ltd

GNR8, 49 Clarendon Road, Watford, Hertfordshire, WD17 1HP, United Kingdom

Anker Innovations Deutschland GmbH

Georg-Muche-Strasse 3, 80807 Munich, Germany

Bluetooth: La marca denominativa y los logotipos de Bluetooth® son marcas comerciales registradas propiedad de Bluetooth SIG, Inc. y cualquier uso de dichas marcas por parte de Anker Innovations Limited está cubierto mediante licencia. El resto de marcas y nombres comerciales son de sus respectivos propietarios.

Fabricante:

Anker Innovations Limited

Room 1318-19, Hollywood Plaza, 610 Nathan Road, Mongkok, Kowloon, Hong Kong

Este aparato de refrigeración no está diseñado para usarse como aparato encastrable.



Este símbolo indica que el producto no puede desecharse junto con los residuos domésticos. En su lugar, debe llevarse a un punto de recogida adecuado para el reciclaje de aparatos eléctricos y electrónicos.

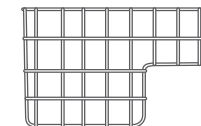
Contenido de la caja



Anker EverFrost Powered Cooler 40



Batería Anker para nevera eléctrica



Cesta de almacenamiento



Cable de carga para coche



Cargador y cable de carga

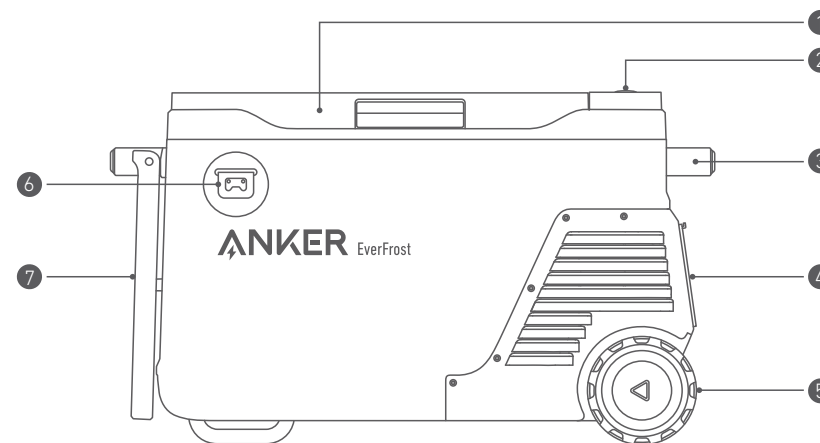


Cable XT-60



Manual de usuario

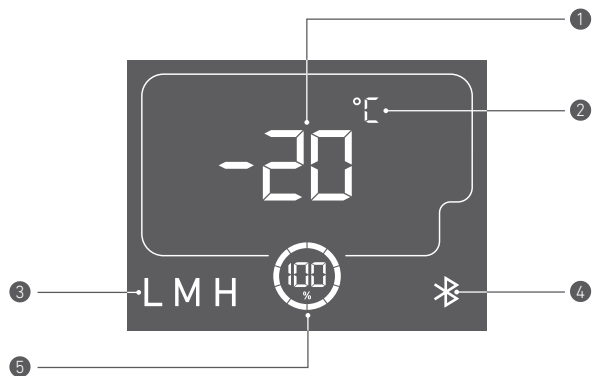
Vista general



1 Tapa/puerta de la nevera	5 Ruedas
2 Pantalla LCD	6 Destornillador
3 Asa	7 Mesa-bandeja
4 Tapa de la batería	

Apoye la bandeja y coloque la pata de soporte debajo de la nevera.

Pantalla LCD

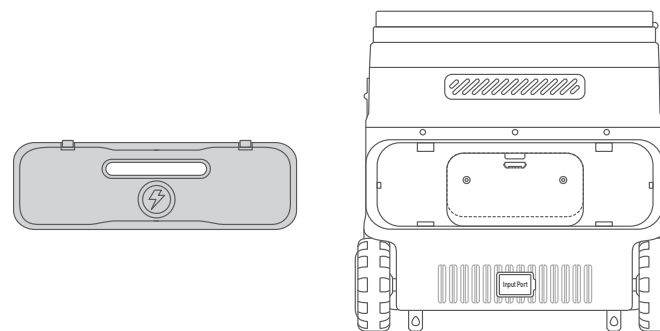


1 Temperatura	4 Bluetooth
2 Unidad de temperatura	5 Nivel de batería restante en porcentaje (si se usa la batería como fuente de alimentación)
3 Nivel de protección de tensión	

Cómo dar corriente a la nevera

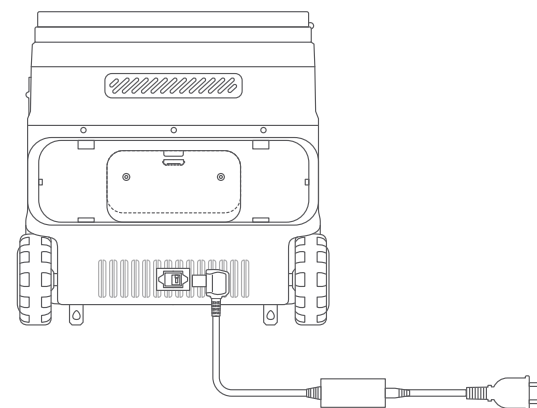
No le recomendamos utilizar métodos distintos a la vez para cargarla.

Sin la batería



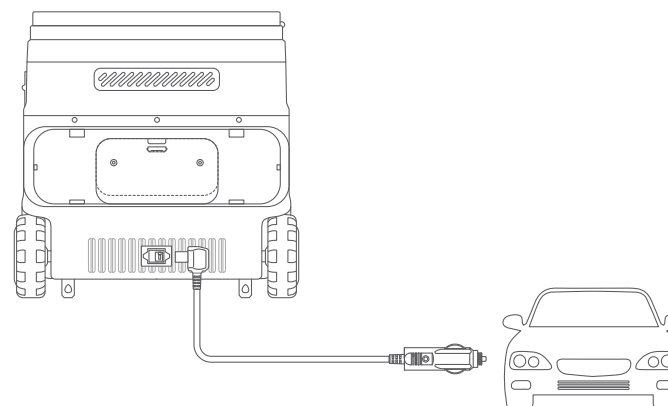
Toma de corriente de CA

Enchufe la nevera a una toma de corriente con el cable de carga de CA.

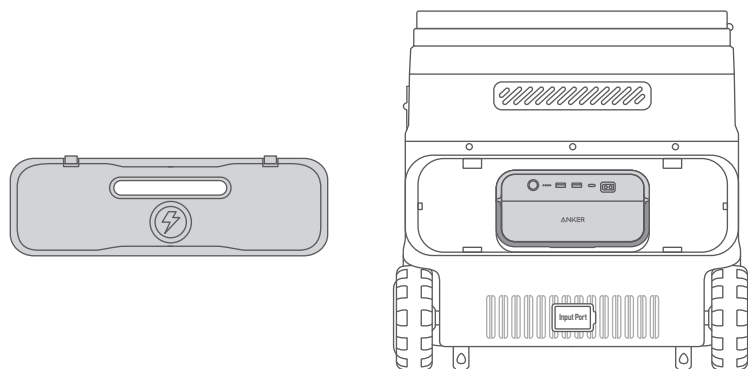


Toma de coche

Conecte la nevera a la toma de salida de coche con el cable de carga para coche.

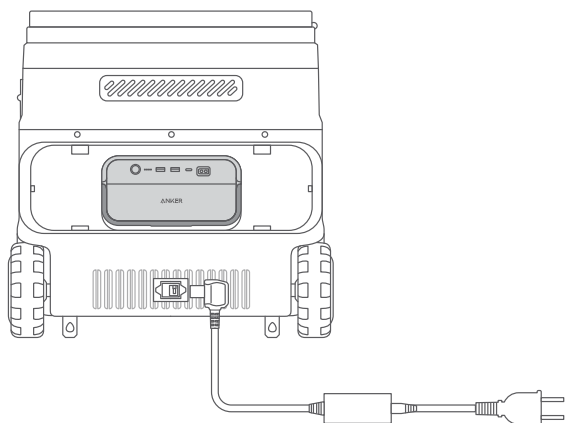


Con la batería



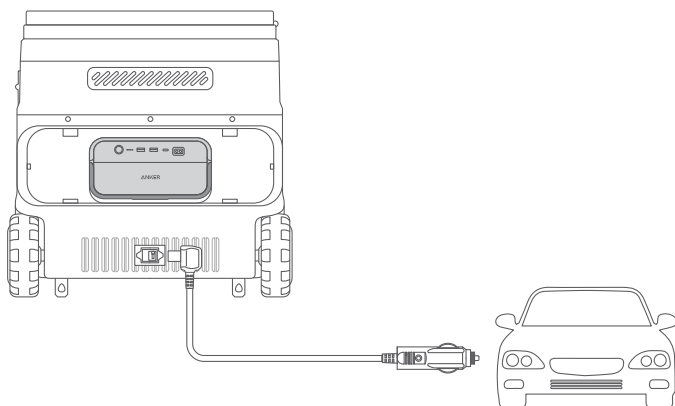
Toma de corriente de CA

Enchufe la nevera a una toma de corriente con el cable de carga de CA.



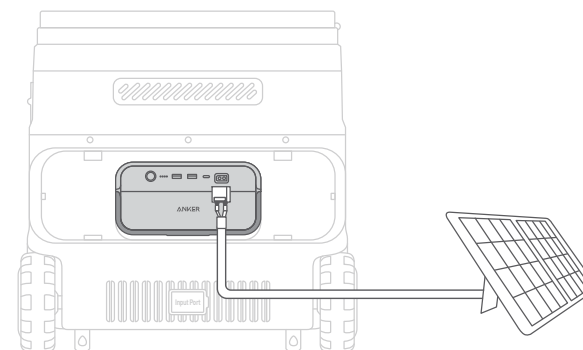
Toma de coche

Conecte la nevera a la toma de salida de coche con el cable de carga para coche.



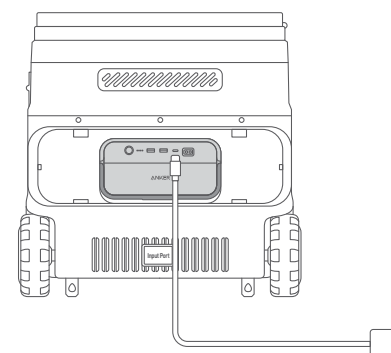
Recarga con el panel solar

Encienda la nevera conectando la batería a un panel solar con un cable de XT-60 a XT-60.



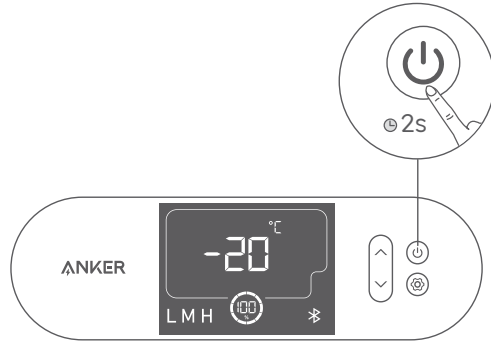
Recarga por USB-C

Enchufe la nevera a una toma de corriente con el cable USB-C.

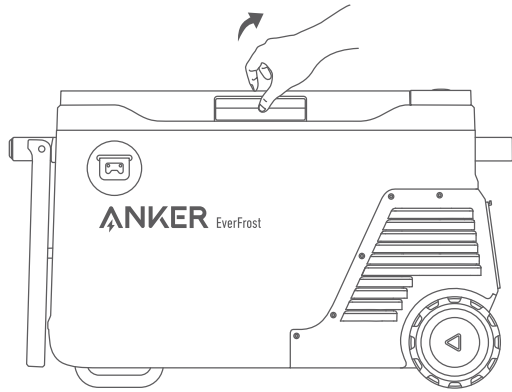


Modo de uso de la nevera

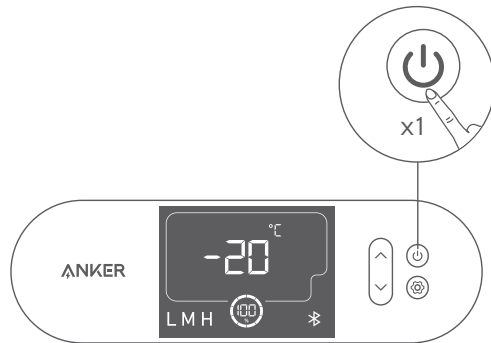
1. Deje pulsado el botón de encendido durante dos segundos para encender la nevera. La pantalla LCD se encenderá e iluminará.



2. Levante la tapa para abrir la nevera.

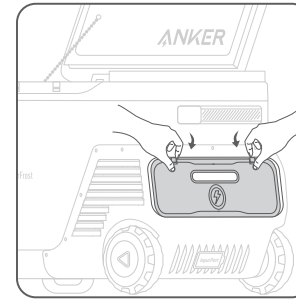


3. Pulse el botón de encendido una vez para encender la pantalla LCD.

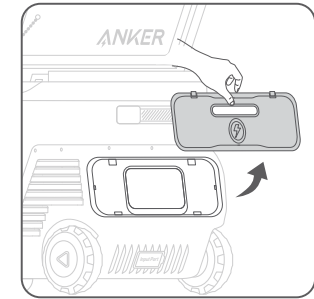


Colocación de la batería

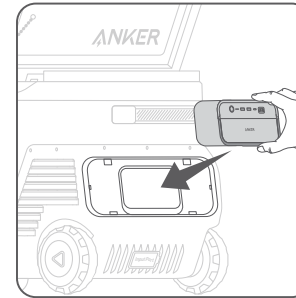
Presione los cierres a presión para quitar la tapa de la batería. Coloque la batería dentro y oirá un clic cuando se coloque correctamente. Una vez hecho esto, vuelva a poner la tapa de la batería.



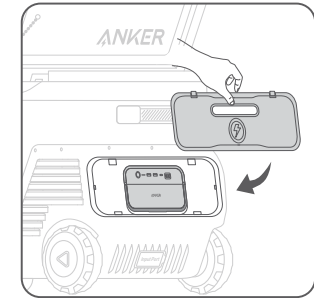
1



2



3



4

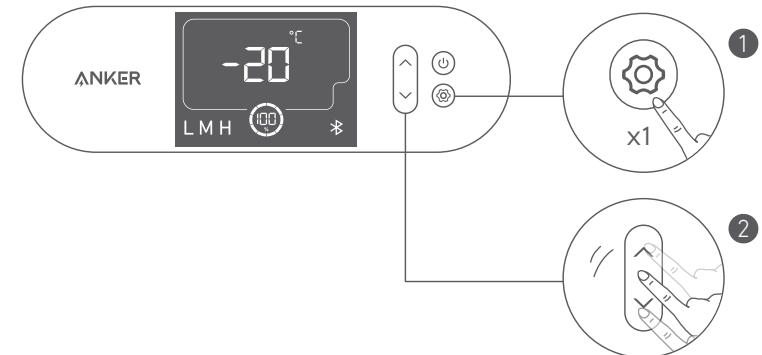


La tapa de la batería se abrirá automáticamente cuando se levante.

Ajuste de la temperatura

Para acceder al modo de ajuste de temperatura, pulse el botón de configuración hasta que el número de temperatura parpadee.

Pulse los botones con las flechas hacia arriba o hacia abajo para ajustar la temperatura de cada zona y pulse de nuevo el botón de configuración para confirmar la temperatura.

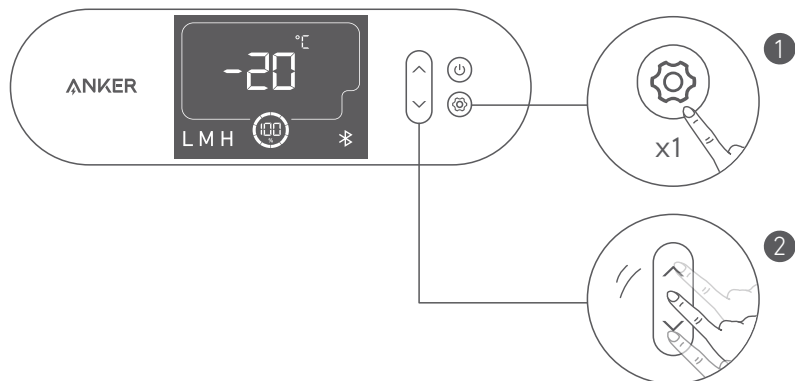


1

2

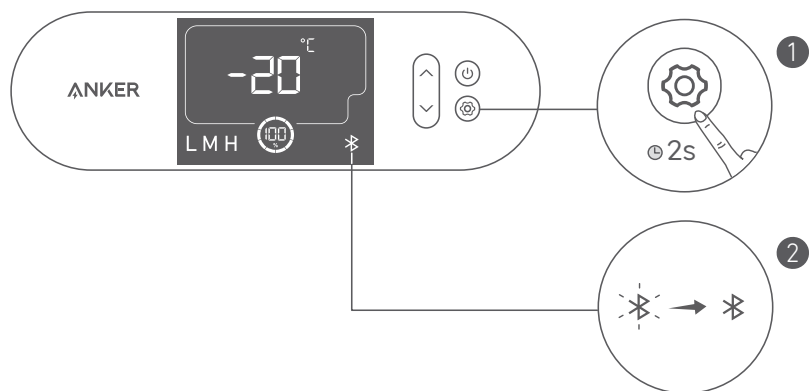
Ajuste de la unidad de temperatura

Para acceder al modo de ajuste de temperatura, pulse el botón de configuración hasta que el icono de la unidad de temperatura parpadee. Pulse los botones con las flechas hacia arriba o hacia abajo para elegir entre "Celsius/Fahrenheit" y pulse de nuevo el botón de configuración para confirmar la unidad de temperatura.



Bluetooth

Deje pulsado el botón de configuración durante 2 segundos para activar el Bluetooth. El icono de Bluetooth parpadeará en la pantalla. La nevera se conectará automáticamente a su teléfono con el Bluetooth activado y el icono se volverá blanco fijo.

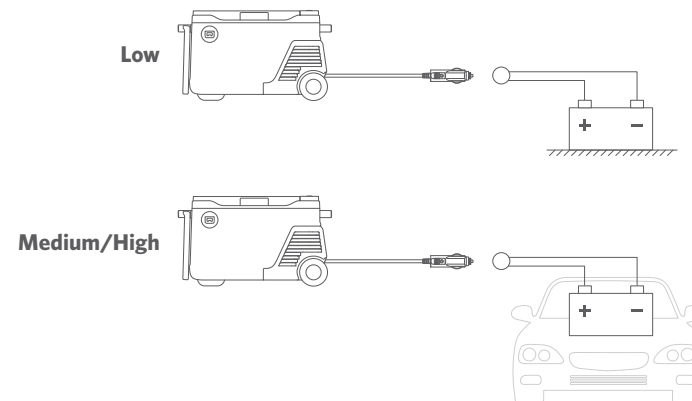


La función de Bluetooth se apagará después de 12 horas sin estar activa.

Clases de protección de batería de coche

Para acceder al modo de ajuste de nivel de tensión, pulse el botón de configuración hasta que el icono del nivel de tensión parpadee. Pulse los botones con las flechas hacia arriba o hacia abajo para elegir entre "L/M/H" y pulse de nuevo el botón de configuración para confirmar la opción elegida.

Seleccione la opción "M/H" cuando el producto se vaya a encender o cargar con la toma de un coche. Se recomienda seleccionar la opción "L" cuando el producto se alimente con una fuente de alimentación independiente.



	12 V		24 V	
	Tensión de funcionamiento	Tensión de arranque	Tensión de funcionamiento	Tensión de arranque
Alta	12 V	12,5 V	24,7 V	26,1 V
Media	11,4 V	12,2 V	24,3 V	25,3 V
Baja	10,4 V	11,3 V	21,9 V	22,9 V

Cuando la potencia de tensión de la batería del coche sea inferior al valor establecido sin la batería, la nevera dejará de funcionar.

Cuando la potencia de tensión de la batería del coche sea inferior al valor establecido, la nevera pasará a alimentarse con su propia batería. Cuando se restablezca la batería del coche, la nevera pasará a recibir energía de la fuente de alimentación de la batería del coche.

Aplicación Anker para activar el Control inteligente

Puede controlar a distancia la nevera eléctrica con la aplicación Anker. Descargue la aplicación y el manual de usuario escaneando este código QR.

Conecte el dispositivo a una red antes de usar la aplicación por primera vez. Tras acceder, puede conectar sus dispositivos sin tener corriente.



Especificaciones

Capacidad de almacenamiento	43 L
Capacidad	299 Wh
Tensión de entrada de CA	100V-240V, 50Hz/60Hz
Potencia de entrada de CA	95W Max
Entrada de CC	5,5A(12V)/ 2,5A(24V)
Refrigerante	R1234yf (30g)
Dimensiones	73,2 x 43,0 x 48,7cm
Peso neto	21,8kg/48lb
Rango de temperatura en la nevera	-20 ~ 20° C / -4~68° F
Rango de temperatura de funcionamiento	0 - 40°C / 32 ~ 104° F

Solución de problemas

- Recordatorio para cerrar la puerta: El indicador acústico emitirá un aviso si la tapa de la nevera no se cierra pasados más de 180 segundos.
- La nevera dejará de funcionar si el ángulo de inclinación supera los 30 grados. Colóquela horizontalmente y volverá a funcionar de forma normal en 5 minutos.

Preguntas más frecuentes

P1: ¿Cuánto tiempo dura la batería de la nevera cuando está totalmente cargada?

La capacidad de la batería de la nevera es de 299 Wh. Si la nevera tiene una temperatura ambiente de 25 °C (77 °F), funcionará durante 35,8 horas con una temperatura de almacenamiento de 4 °C (39,2 °F).

P2: A qué temperatura ambiente se puede usar normalmente la nevera?

La temperatura ambiente recomendada es de 0 a 40 °C (32 °F - 104 °F).

P3: Qué hay que hacer al usar un cargador solar para la nevera Anker EverFrost Powered Cooler?

La toma de entrada de energía solar admite un cargador solar de 11-30 V con un conector XT-60. Se recomienda usar el panel solar Anker de 100 W para garantizar la mejor compatibilidad.

Política de la garantía de Anker EverFrost Powered Cooler

La nevera Anker EverFrost Powered Cooler que se compre en AnkerDirect y a distribuidores de Anker autorizados incluye una garantía limitada ("garantía") que se describe más adelante. Al usar una Anker EverFrost Powered Cooler, acepta que se le apliquen las condiciones de la garantía limitada de Anker.

Garantía limitada de 2 años de Anker EverFrost Powered Cooler y garantía limitada de 3 años del compresor por compras realizadas en AnkerDirect y a distribuidores autorizados de Anker. El período de garantía comienza a partir de la fecha de compra.

La garantía limitada de Anker está restringida al país de compra. La garantía limitada se considerará nula en los artículos que se lleven fuera del país en que se compraron originalmente o al que se hayan enviado directamente tras comprarlos en línea a un distribuidor autorizado.

Exclusiones y limitaciones

La garantía no cubre lo siguiente:

- Productos dañados o modificados.
- Productos que se hayan utilizado con un cable, enchufe o cable de salida dañados.
- Productos que se hayan desmontado.
- Productos que se hayan limpiado con agentes químicos o detergentes nocivos.

- Problemas no relacionados con la calidad (después de 30 días de la compra).
- Productos comprados a distribuidores no autorizados.
- Productos sin el debido justificante de compra.
- Productos que se hayan devuelto y reembolsado.
- Productos con la garantía vencida.
- Productos perdidos, robados o gratuitos.
- Daños derivados de fuentes externas.
- Reparaciones realizadas por terceros.
- Daños derivados del mal uso de los productos (incluidos, entre otros, caídas, uso del producto por encima de su tensión nominal de salida, exposición del producto a la lluvia o la nieve, presión de aire extremadamente baja, temperaturas extremas, etc.).
- Productos comprados en medios no legítimos.
- Baterías que se hayan dañado por no usarlas durante largo tiempo o porque no se les ha hecho el mantenimiento adecuado según lo indicado en el manual del usuario.

Anker no se hace responsable de lo siguiente:

- Pérdida de datos derivados del uso de productos de Anker.
- Devolución de artículos personales enviados a Anker.

Cuando se devuelven artículos con una etiqueta de envío con franqueo pagado facilitada por Anker, esta asume la responsabilidad por cualquier daño o pérdida que se produzca durante el transporte. Si se devuelven artículos por problemas relacionados con la calidad, el comprador asumirá la responsabilidad por cualquier daño o pérdida derivados del transporte. Anker no ofrece reembolsos por artículos dañados durante el transporte que procedan de reclamaciones de garantía no relacionadas con problemas de calidad.

Reembolsos y reclamaciones de la garantía

Para ver más detalles, consulte www.anker.com/anker-portable-power-station-warranty-policy

Para solicitar reclamaciones de la garantía, puede enviar un correo electrónico a:

Región de EE. UU./Canadá/Reino Unido/Alemania/Japón: support@anker.com

Región MEA (Oriente Medio): support.mea@anker.com

Región de China: CED-CN@anker.com

O puede llamarnos al:

EE. UU./Canadá: +1 (800) 988 7973

Alemania: +49(0)69 9579 7960

Emiratos Árabes Unidos: +971 8000 320 817

Kuwait: +965 2206 9086

Australia: +61 3 8331 4800

Rusia: +8(800)511 8623

Corea: +82 0216 7070 98

Oriente Medio y África: +971 4242 8633

Reino Unido: +44(0)1604 936 200

Japón: +81 03 4455 7823

Arabia Saudita: +966 8008 500 030

Egipto: +20 8000 000 826

Turquía: +90(850)460 1414

China: +86 400 0550 036

India: +91 1800 3138 831

Comprobante de compra válido

Consulte más detalles en: <https://us.anker.com/policies/refund-policy>

Los gastos de envío los debe abonar el comprador en las siguientes situaciones

Consulte más detalles en: <https://us.anker.com/policies/refund-policy>

Esta página viene adjunta a la página de la garantía de Anker y esta se reservará el derecho de interpretación final del contenido.

Registre su Anker EverFrost hoy mismo

Qué ventajas tiene el registro?

1. Garantía sin preocupaciones: Confirme la garantía limitada de 2 años de su Anker EverFrost Powered Cooler y la garantía limitada de 3 años del compresor.
2. Rápido servicio de atención al cliente: Disfrute de un servicio al cliente exclusivo que le resolverá lo que necesite rápidamente.
3. Entérese de las últimas novedades: Vea los primeros adelantos exclusivos de nuevos productos y conozca al momento los nuevos cambios en eventos oficiales.



- Escanee el siguiente código QR para acceder a la página de autoservicio inteligente para obtener más información sobre su Anker EverFrost.



Attention



Non autorisé à bord des avions.

Consignes de sécurité importantes

Pour réduire le risque de blessure, les utilisateurs doivent lire le manuel d'instructions.

AVERTISSEMENT : Lire tous les avertissements et instructions de sécurité. Le non-respect des avertissements et des instructions peut entraîner un choc électrique, un incendie et/ou des blessures graves.

Cet appareil n'est pas destiné à être utilisé par des personnes (y compris des enfants) dont les capacités physiques, sensorielles ou mentales sont réduites, ou qui manquent d'expérience et de connaissances, à moins qu'elles n'aient reçu une surveillance ou des instructions concernant l'utilisation de l'appareil par une personne responsable de leur sécurité.

Les enfants doivent être surveillés afin de s'assurer qu'ils ne jouent pas avec l'appareil.

Si le cordon d'alimentation est endommagé, il doit être remplacé par le fabricant, un agent de service ou une personne qualifiée afin d'éviter tout danger.

Les instructions pour les appareils incorporant des batteries qui sont destinées à être remplacées par l'utilisateur doivent comprendre les éléments suivants :

- Type de batterie : Batterie rechargeable au lithium-ion (A17B5)
- Jeter une batterie dans le feu ou dans un four chaud, l'écraser ou la découper mécaniquement peut entraîner une explosion.
- **ATTENTION :** Risque d'explosion si la batterie est remplacée par un type incorrect. Ne pas utiliser de piles non rechargeables !
- Une batterie soumise à une pression d'air extrêmement basse peut entraîner une explosion ou une fuite de liquide ou de gaz inflammable. Dans des conditions abusives, du liquide peut être éjecté de la batterie ; éviter tout contact. En cas de contact accidentel, rincer à l'eau. Si le liquide entre en contact avec vos yeux, consulter un médecin car il peut provoquer une irritation ou des brûlures.
- La batterie doit être retirée de l'appareil avant sa mise au rebut.
- L'appareil doit être débranché de l'alimentation secteur lors du retrait de la batterie.
- Ne pas jeter la batterie dans une source de chaleur ou dans le feu.
- Lors de la mise au rebut de piles ou de batteries secondaires, garder les piles ou les batteries de systèmes électrochimiques différents séparées les unes des autres.

AVERTISSEMENT : Pour recharger la batterie, utiliser uniquement le bloc d'alimentation amovible fourni avec l'appareil.

Lors du raccordement à l'alimentation CC, l'appareil ne doit être alimenté qu'à une très basse tension de sécurité correspondant au marquage sur l'appareil.



Bloc d'alimentation amovible

- Convient pour le camping.

- L'appareil ne doit pas être exposé à la pluie.

Ne pas stocker de substances explosives telles que des bombes aérosols avec un propulseur inflammable dans cet appareil.

AVERTISSEMENT : Lors du positionnement de l'appareil, s'assurer que le cordon d'alimentation n'est pas coincé ou endommagé.

AVERTISSEMENT : Ne pas placer de prises de courant multiples ou d'alimentations portables à l'arrière de l'appareil.

Une mise en garde contre le piégeage des enfants doit être incluse soit dans les instructions d'utilisation, soit dans un manuel d'utilisation et d'entretien fourni avec chaque réfrigérateur et doit inclure le texte suivant ou un texte équivalent :

AVERTISSEMENT : Risque de piégeage des enfants.

Avant de jeter votre ancien réfrigérateur ou congélateur :

- Retirer les portes.
- Laisser les étagères en place pour que les enfants ne puissent pas grimper facilement à l'intérieur.

Empêcher le démarrage involontaire. S'assurer que l'interrupteur est éteint avant de se connecter à la batterie, de la ramasser ou de transporter l'appareil. Le fait de porter l'appareil avec le doigt sur l'interrupteur ou d'alimenter l'appareil avec l'interrupteur allumé peut entraîner des accidents.

Déconnecter la batterie de l'appareil avant d'effectuer des réglages, de changer d'accessoires ou de ranger l'appareil. Ces mesures de sécurité préventives réduisent le risque de démarrage accidentel de l'appareil.

Recharger uniquement avec le chargeur spécifié par le fabricant. Un chargeur adapté à un type de batterie peut engendrer un risque d'incendie lorsqu'il est utilisé avec un autre type de batterie.

N'utiliser l'appareil qu'avec des blocs-piles spécialement conçus. L'utilisation de tout autre bloc-piles peut entraîner un risque de blessure et d'incendie.

Lorsque la batterie n'est pas utilisée, la tenir à l'écart d'autres objets métalliques, comme des trombones, des pièces de monnaie, des clés, des clous, des vis ou d'autres petits objets métalliques, qui peuvent connecter un terminal à un autre. Des risques de brûlures ou d'incendie peuvent survenir si les bornes sont court-circuitées.

Dans des conditions abusives, du liquide peut être éjecté de la batterie ; éviter tout contact. En cas de contact accidentel, rincer à l'eau. Si du liquide entre dans vos yeux, demander une aide médicale.

Le liquide éjecté de la batterie peut provoquer une irritation ou des brûlures.

Ne pas utiliser une batterie ou un appareil endommagé ou modifié car ils peuvent présenter un comportement imprévisible entraînant une explosion ou un risque de blessure.

Ne pas exposer un bloc-piles ou un appareil au feu ou à une température excessive. L'exposition au feu ou à une température supérieure à 130 °C peut provoquer une explosion.

Suivre toutes les instructions de charge et ne pas charger la batterie ou l'appareil en dehors de la plage de températures spécifiée dans les instructions. Une charge incorrecte ou à une température en dehors de la plage spécifiée peut endommager la batterie et augmenter le risque d'incendie.

Faire effectuer l'entretien par un réparateur qualifié utilisant uniquement des pièces de rechange identiques. Cela permettra de garantir la sécurité du produit.

Ne pas modifier ou ne pas tenter de réparer l'appareil ou la batterie, sauf si cela est indiqué dans les instructions d'utilisation et d'entretien.

La batterie doit être utilisée avec l'adaptateur Anker (GM95-145600-D) pour le chargement.

Ne pas exposer le chargeur à la pluie, à l'humidité ou à la neige.

Pour réduire le risque d'endommager la fiche et le cordon de l'allume-cigare, tirer sur la fiche plutôt que sur le cordon lorsque vous débranchez le chargeur.

S'assurer que le cordon est placé de façon à ce qu'il ne soit pas piétiné, qu'on ne trébuche pas dessus ou qu'il ne soit pas soumis à des dommages ou à des contraintes.

Ne pas utiliser le chargeur avec un cordon ou un connecteur d'allume-cigare endommagé, le remplacer immédiatement.

Ne pas utiliser le chargeur s'il a reçu un coup violent, s'il est tombé ou s'il a été endommagé de quelque manière que ce soit.

Ne pas démonter le chargeur. Le confier à un réparateur qualifié si un entretien ou une réparation est nécessaire. Un remontage incorrect peut entraîner un risque de choc électrique ou d'incendie.

Pour réduire le risque de choc électrique, débrancher le chargeur avant d'effectuer toute opération d'entretien ou de nettoyage. La désactivation des commandes ne réduira pas ce risque.

Veuillez noter que l'appareil doit être correctement assemblé conformément aux instructions d'assemblage avant d'être utilisé.

Expliquer et décrire l'emplacement, la fonction et le fonctionnement de chaque commande de l'appareil, y compris tous les dispositifs actionnés par l'utilisateur destinés à réduire les risques d'incendie, d'électrocution ou de blessures aux personnes. Veuillez être mis en garde contre la falsification de tels appareils.



Ce symbole indique que ce produit ne doit pas être traité comme un déchet ménager. Au lieu de cela, il doit être remis au point de collecte applicable pour le recyclage des équipements électriques et électroniques.



Bluetooth: La marque verbale et les logos Bluetooth® sont des marques déposées appartenant à Bluetooth SIG, Inc. et toute utilisation de ces marques par Anker Innovations Limited se fait sous licence. Les autres marques et noms commerciaux sont ceux de leurs détenteurs respectifs.

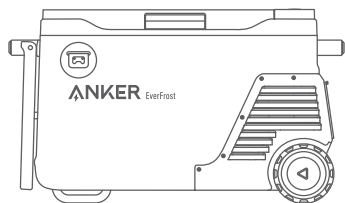
Fabricant :

Anker Innovations Limited

Room 1318-19, Hollywood Plaza, 610 Nathan Road, Mongkok, Kowloon, Hong Kong

Cet appareil de réfrigération n'est pas destiné à être utilisé comme un appareil encastré.

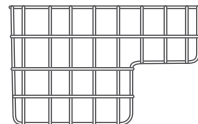
Contenu de la boîte



Anker EverFrost Powered Cooler 40



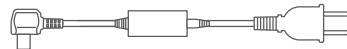
Batterie Anker pour refroidisseur motorisé



Panier de rangement



Câble de charge pour véhicule



Adaptateur CA et câble de charge

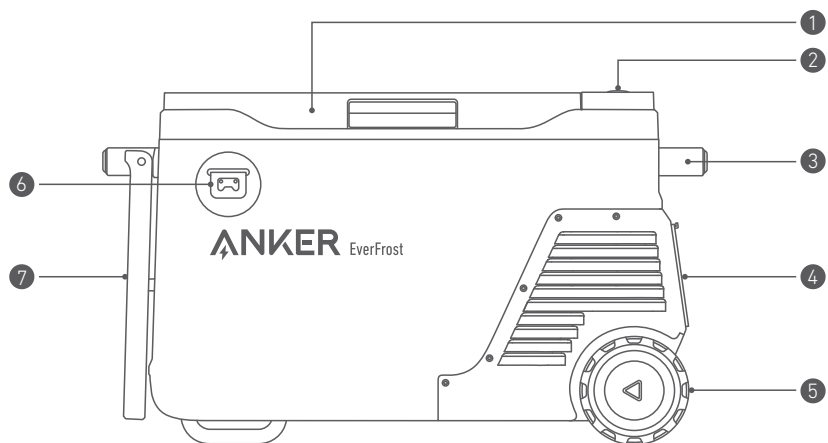


Câble XT-60



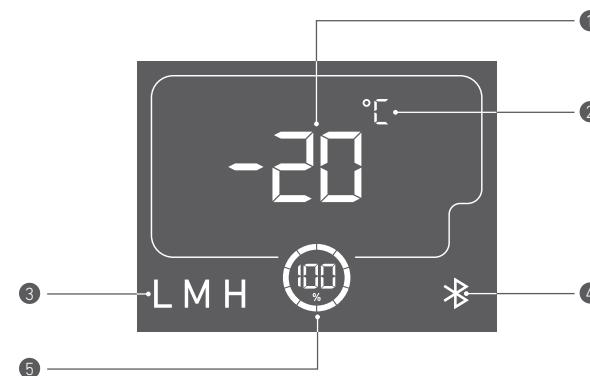
Manuel d'utilisation

Aperçu



① Couverture de glacière	⑤ Roues
② Écran LCD	⑥ Tournevis
③ Poignée	⑦ Table à plateaux
④ Couverture de batterie	

Écran LCD



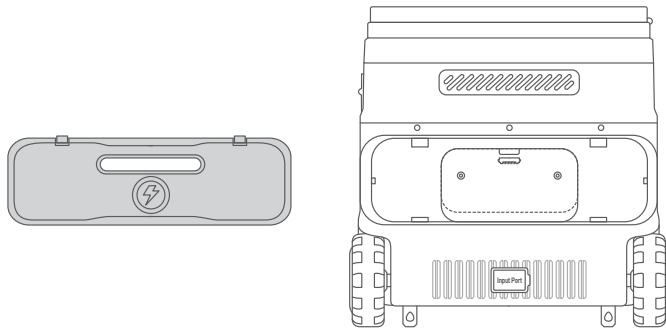
① Température	④ Bluetooth
② Unité de température	⑤ Pourcentage de batterie restante (en cas d'utilisation de la batterie pour l'alimentation)
③ Niveau de protection contre la surtension	

Placez le plateau et installez la béquille sous la glacière.

Alimentation de votre glacière

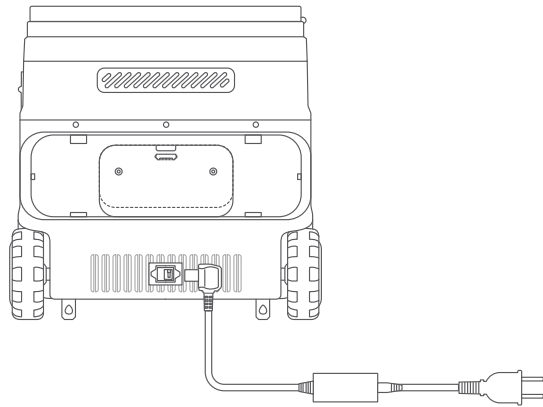
Il est déconseillé d'utiliser plusieurs méthodes de charge en même temps.

Sans la batterie



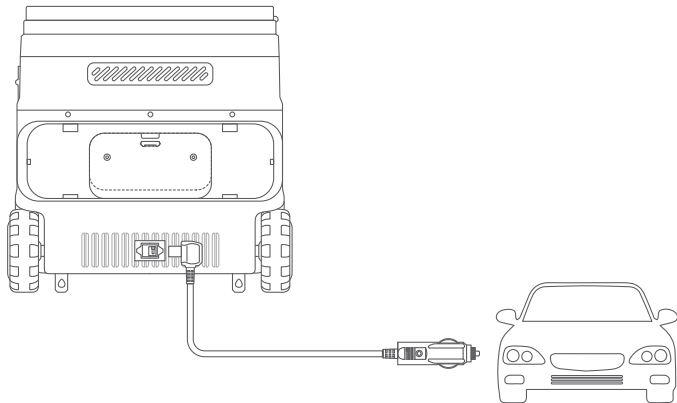
Alimentation CA

Alimentez la glacière en la connectant à une prise murale à l'aide du câble de charge CA.

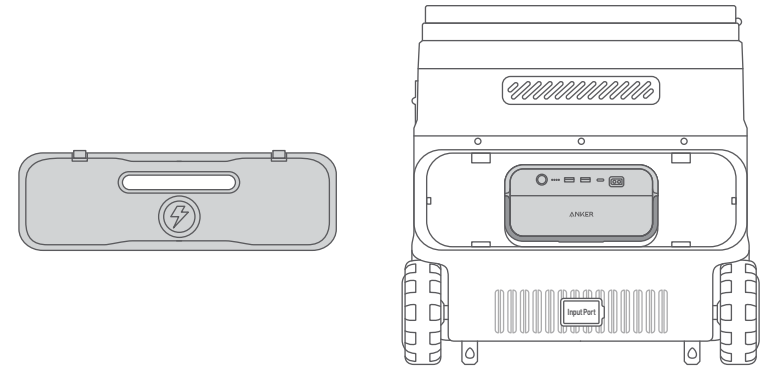


Alimentation par voiture

Connectez la glacière au port de sortie d'une voiture à l'aide du câble de charge pour voiture.

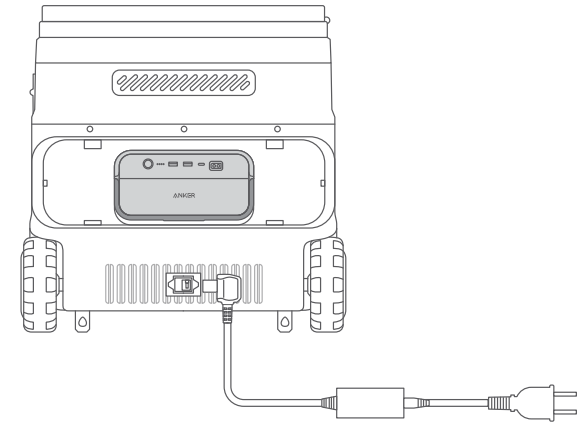


Avec la batterie



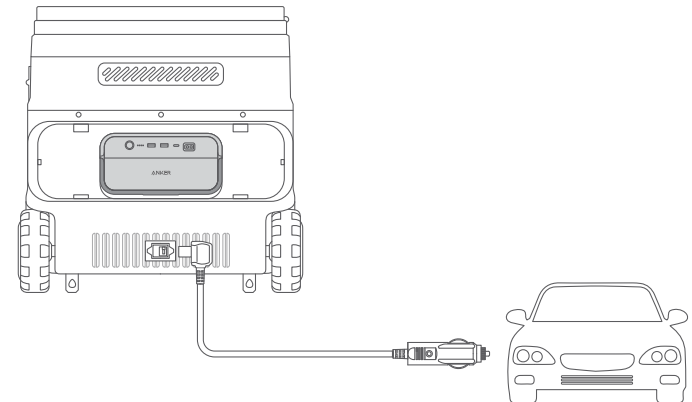
Alimentation CA

Alimentez la glacière en la connectant à une prise murale à l'aide du câble de charge CA.



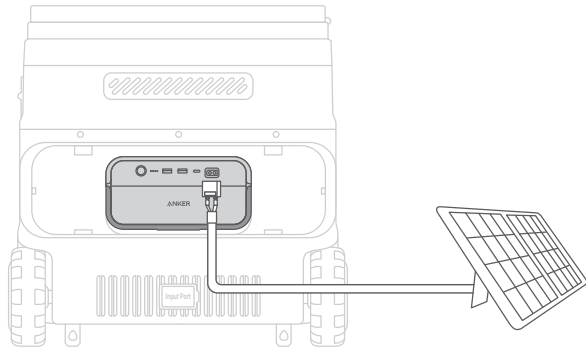
Alimentation par voiture

Connectez la glacière au port de sortie d'une voiture à l'aide du câble de charge pour voiture.



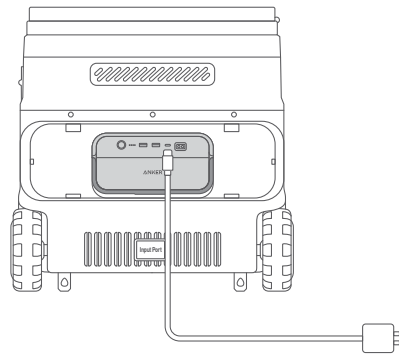
Recharge par panneau solaire

Alimentez la glacière en connectant la batterie à un panneau solaire à l'aide d'un câble XT-60 à XT-60.



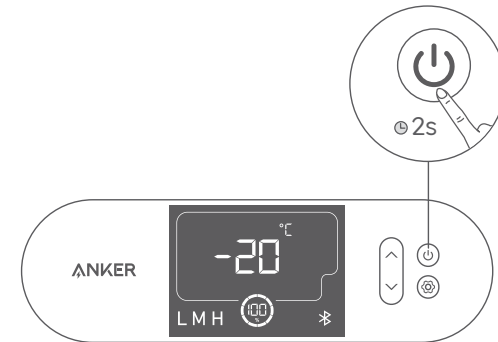
Recharge par USB-C

Alimentez la glacière en connectant la batterie à une prise murale à l'aide du câble USB-C.

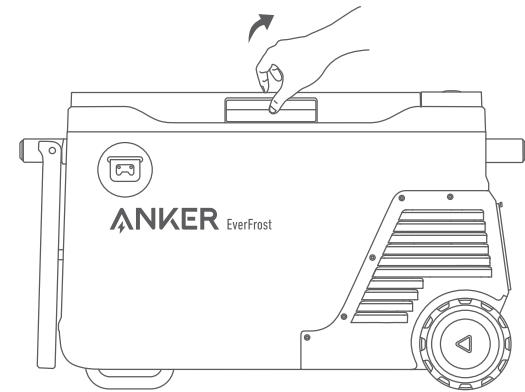


Utilisation de votre glacière

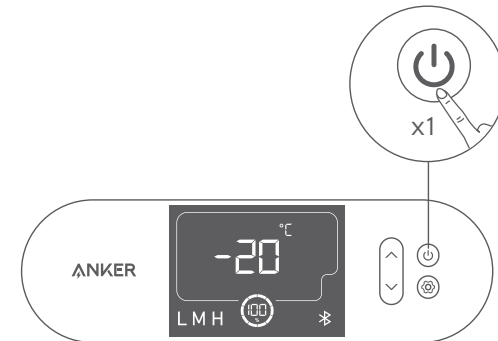
1. Appuyez sur le bouton d'alimentation pendant deux secondes pour allumer votre glacière. L'écran LCD s'allume.



2. Poussez le couvercle vers le haut pour ouvrir la glacière.

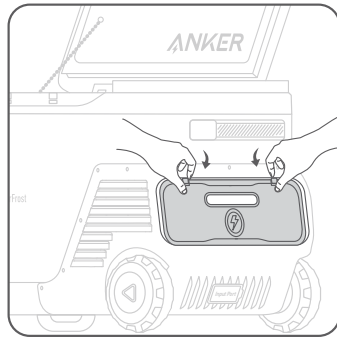


3. Appuyez une fois sur le bouton d'alimentation pour allumer l'écran LCD.

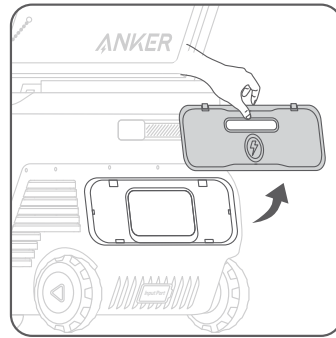


Installation de la batterie

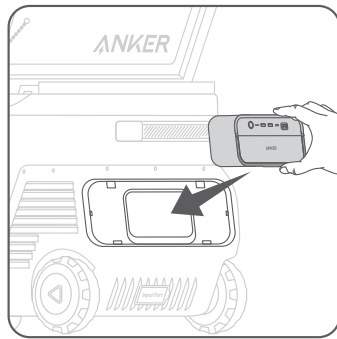
Appuyez sur les boutons-pression pour retirer le couvercle de la batterie. Placez la batterie à l'intérieur et vous entendrez un clic lorsque l'installation est réussie. Remettez ensuite le couvercle de la batterie en place.



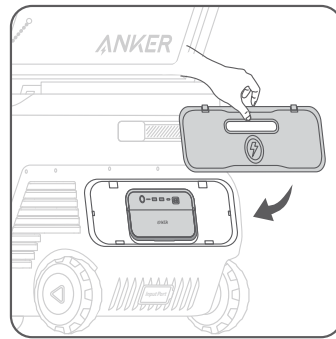
1




2



3



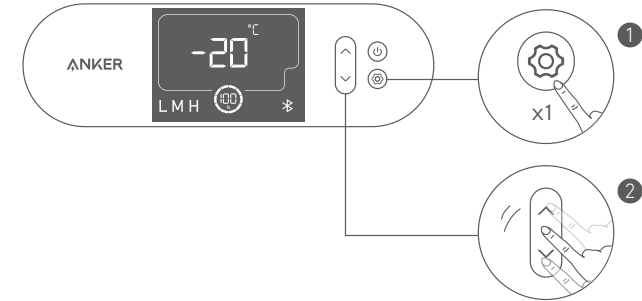
4

 Le couvercle de la batterie s'ouvre automatiquement lorsqu'on le soulève.

Réglage de la température

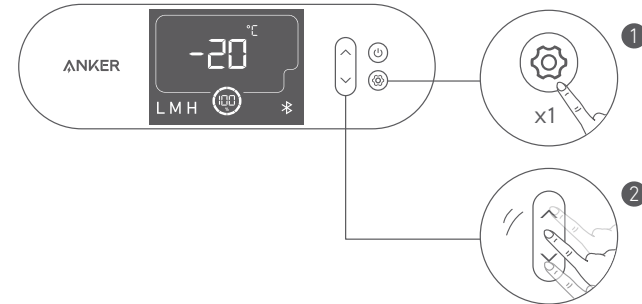
Pour passer en mode de réglage de la température, appuyez sur le bouton de réglage jusqu'à ce que le chiffre de la température clignote.

Appuyez sur les boutons haut ou bas pour régler la température de la zone, et confirmez votre température en appuyant à nouveau sur le bouton de réglage.



Réglage de l'unité de température

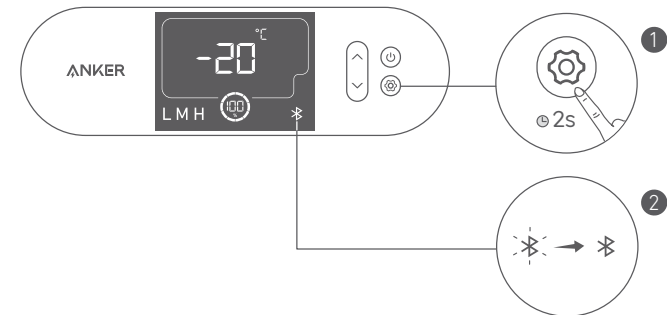
Pour passer en mode de réglage de la température, appuyez sur le bouton de réglage jusqu'à ce que l'icône de l'unité de température clignote. Appuyez sur le bouton haut ou bas pour choisir entre Celsius et Fahrenheit et confirmez l'unité en appuyant à nouveau sur le bouton de réglage.



Bluetooth

Appuyez sur le bouton des paramètres pendant 2 secondes pour activer le Bluetooth. L'icône Bluetooth sur l'écran clignote.

Il se connectera automatiquement à votre téléphone avec le Bluetooth activé, et l'icône deviendra blanche fixe.

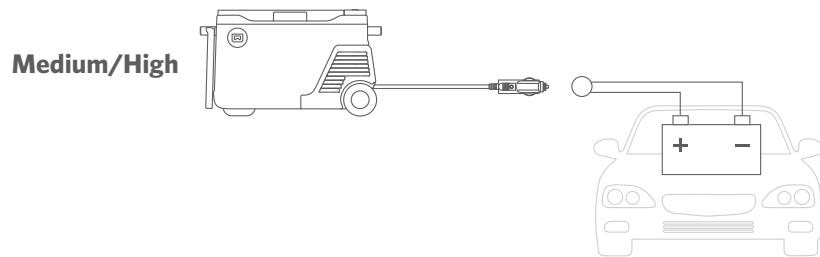
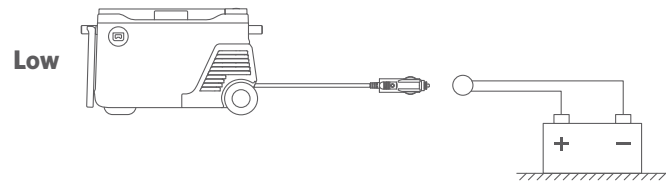


 La fonction Bluetooth s'éteint après 12 heures en l'absence de connexion.

Degrés de protection de batterie de voiture

Pour passer en mode de réglage du niveau de tension, appuyez sur le bouton de réglage jusqu'à ce que l'icône du niveau de tension clignote. Appuyez sur le bouton haut ou bas pour choisir entre L/M/H et confirmez la sélection en appuyant à nouveau sur le bouton de réglage.

Sélectionnez la vitesse M/H lorsque le produit est alimenté par une voiture. Il est recommandé de sélectionner la vitesse L lorsque le produit est alimenté par une source d'énergie indépendante.



	12 V		24 V	
	Tension de fonctionnement	Tension de démarrage	Tension de fonctionnement	Tension de démarrage
Élevée	12 V	12,5 V	24,7 V	26,1 V
Moyenne	11,4 V	12,2 V	24,3 V	25,3 V
Faible	10,4 V	11,3 V	21,9 V	22,9 V

Lorsque la tension de la batterie de la voiture est inférieure à la valeur définie sans la batterie, votre glacière s'arrête de fonctionner.

Lorsque la tension de la batterie de la voiture est inférieure à la valeur définie, la glacière s'alimente sur sa propre batterie. Une fois la batterie de la voiture rétablie, elle passe à la source d'alimentation de la batterie de la voiture.

Application Anker pour un contrôle intelligent

Vous pouvez contrôler à distance votre glacière électrique à l'aide de l'application Anker. Veuillez télécharger l'application et son manuel d'utilisation en scannant ce code QR.

Connectez l'appareil à un réseau avant d'utiliser l'application pour la première fois. Une fois la connexion réussie, vous pouvez connecter vos appareils hors réseau.



Spécifications

Capacité de stockage	43 L
Capacité de la batterie	299 Wh
Tension d'entrée CA	100V-240V, 50Hz/60Hz
Puissance d'entrée CA	95W Max
Entrée CC	5,5A(12V)/ 2,5A(24V)
Réfrigérant	R1234yf (30g)
Taille	73,2 x 43,0 x 48,7cm
Poids net	21,8kg/48lb
Plage de température dans le réfrigérateur	-20 ~ 20° C / -4~68° F
Plage de températures de fonctionnement	0 - 40°C / 32 ~ 104° F

Dépannage

- Rappel à la fermeture des portes : Le buzzer envoie un rappel si le couvercle de la glacière n'est pas fermé pendant plus de 180 secondes.
- La glacière s'arrête de fonctionner si l'angle d'inclinaison dépasse 30 degrés. Placez-la à l'horizontale, et elle reprendra son fonctionnement normal en 5 minutes.

FAQ

Q1: Quelle est la durée de vie de la batterie de la glacière lorsqu'elle est complètement chargée ?

La capacité de la batterie de la glacière est de 299 Wh. Lorsque la température de la glacière est de 25 °C (77 °F), elle fonctionne pendant 35,8 heures avec une température de stockage de 4 °C (39,2 °F).

Q2: À quelle température ambiante la glacière peut-elle être utilisée normalement ?

La température ambiante recommandée est de 0 à 40 °C.

Q3: Que dois-je faire lorsque j'utilise un chargeur solaire pour charger la Anker EverFrost Powered Cooler ?

L'entrée solaire prend en charge un chargeur solaire 11-30 V avec un connecteur XT-60. Nous recommandons d'utiliser le panneau solaire Anker 100 W pour obtenir la meilleure compatibilité.

Anker EverFrost Powered Cooler Politique de garantie

Cette Anker EverFrost Powered Cooler achetée sur AnkerDirect et les revendeurs agréés Anker bénéficie d'une garantie limitée (« garantie ») telle que définie ci-dessous. En utilisant une Anker EverFrost Powered Cooler, vous acceptez d'être lié par les termes de la garantie limitée Anker.

Garantie limitée de 2 ans pour la Anker EverFrost Powered Cooler et garantie limitée de 3 ans pour le compresseur pour les achats effectués auprès des revendeurs agréés AnkerDirect et Anker. La période de garantie commence à partir de la date d'achat.

La garantie limitée Anker est restreinte au pays d'achat. La garantie limitée est nulle et non avenue pour les articles emportés en dehors du pays où ils ont été achetés à l'origine ou expédiés directement à partir d'un achat en ligne autorisé.

Exclusions et limitations

Non couvert par la garantie :

- Produits endommagés ou modifiés.
- Produits utilisés avec un cordon, une fiche ou un câble de sortie endommagé.
- Produits démontés.
- Produits nettoyés avec des produits chimiques ou des détergents nocifs.
- Problèmes non liés à la qualité (après 30 jours d'achat).
- Produits achetés auprès de revendeurs non autorisés.
- Produits sans preuve d'achat suffisante.
- Produits qui ont été remboursés.
- Produits avec une garantie expirée.
- Produits perdus, volés ou gratuits.
- Dommages provenant de sources extérieures.
- Réparations par des tiers.
- Dommages résultant d'une mauvaise utilisation des produits (y compris, mais sans s'y limiter, les chutes, l'utilisation du produit au-delà de sa puissance nominale, l'exposition du produit à la pluie ou à la neige, une pression atmosphérique extrêmement faible, des températures extrêmes).
- Achats auprès de sources illégitimes.
- Les batteries qui sont endommagées lorsqu'elles ne sont pas utilisées pendant une longue période ou ne sont pas correctement entretenues conformément au manuel d'utilisation.

Anker n'est pas responsable de :

- Perte de données résultant de l'utilisation des produits Anker.
- Renvoi des articles personnels envoyés à Anker.

En cas de retour d'articles avec une étiquette d'expédition prépayée fournie par Anker, Anker assume la responsabilité de tout dommage ou perte encouru pendant le transport. En cas de retour d'articles pour des raisons de non-qualité, l'acheteur assume la responsabilité de tout dommage ou de toute perte subis pendant le transport. Anker ne rembourse pas les articles endommagés pendant le transport en raison de demandes de garantie non liées à la qualité.

Demandes de remboursement et de garantie

Pour plus de détails, veuillez vous référer à www.anker.com/anker-portable-power-station-warranty-policy

Pour les demandes de garantie, vous pouvez envoyer un e-mail à :

Marché US/CA/UK/DE/JP : support@anker.com

Marché MEA : support.mea@anker.com

Marché CN : CED-CN@anker.com

Où vous pouvez nous appeler aux numéros suivants :

US/CA : +1 (800) 988 7973	UK : +44(0)1604 936 200
DE : +49(0)69 9579 7960	JP : +81 03 4455 7823
UAE : +971 8000 320 817	KSA : +966 8008 500 030
Koweït : +965 2206 9086	Égypte : +20 8000 000 826
AU : +61 3 8331 4800	TR : +90(850)460 1414
RU : +8(800)511 8623	CN : +86 400 0550 036
KR : +82 0216 7070 98	IN : +91 1800 3138 831
Moyen-Orient et Afrique : +971 4242 8633	

Preuve d'achat valide

Veuillez vous référer au site : <https://us.anker.com/policies/refund-policy>

Les frais d'expédition doivent être pris en charge par l'acheteur dans les situations suivantes

Veuillez vous référer au site : <https://us.anker.com/policies/refund-policy>

Cette page est jointe à la page de garantie Anker, et Anker se réserve le droit d'interprétation finale du contenu.

Enregistrez votre Anker EverFrost dès aujourd'hui

Pourquoi s'enregistrer ?

1. Garantie sans tracas : Confirmez la garantie limitée de 2 ans pour votre Anker EverFrost Powered Cooler et la garantie limitée de 3 ans pour le compresseur.

2. Service client rapide : Bénéficiez d'un service client exclusif et obtenez rapidement ce dont vous avez besoin.

3. Recevez les dernières nouvelles : Obtenez des aperçus exclusifs des nouveaux produits et des mises à jour instantanées sur les événements officiels.



- Scannez le code QR ci-dessous pour accéder à la page de libre-service intelligent pour plus d'informations sur votre Anker EverFrost.



Attenzione



Non consentito sugli aerei.

Istruzioni importanti sulla sicurezza

GWP: R1234yf: 4

L'apparecchio non deve essere utilizzato da persone (compresi i bambini) con ridotte capacità fisiche, sensoriali o mentali o prive di esperienze e conoscenze in materia, se non supervisionati o istruiti sull'uso dell'apparecchio da una persona responsabile della loro sicurezza.

I bambini devono essere sorvegliati per garantire che non giochino con l'apparecchio.

Questo apparecchio può essere utilizzato da bambini di almeno 8 anni e da persone con ridotte capacità fisiche, sensoriali o mentali o prive di esperienze e conoscenze in materia, se supervisionati o istruiti sull'uso sicuro dell'apparecchio e se ne comprendono i pericoli implicati. La pulizia e la manutenzione non devono essere eseguite da bambini senza supervisione.

I bambini dai 3 agli 8 anni possono caricare e scaricare **apparecchi di refrigerazione**.

Gli apparecchi di refrigerazione possono essere utilizzati da bambini di almeno 3 anni e da persone con ridotte capacità fisiche, sensoriali o mentali o prive di esperienze e conoscenze in materia, se supervisionati o istruiti sull'uso sicuro dell'apparecchio e se ne comprendono i pericoli implicati.

I bambini di età inferiore ai 3 anni devono essere tenuti lontani a meno che non siano continuamente sorvegliati.

L'apparecchio deve essere utilizzato esclusivamente con l'unità di alimentazione fornita con l'apparecchio.

Se il cavo di alimentazione è danneggiato, deve essere sostituito dal produttore, da un suo agente di assistenza o da personale qualificato per evitare rischi.

Le istruzioni per gli apparecchi dotati di batterie che devono essere sostituite dall'utente devono includere quanto segue:

- Tipo di batteria: batteria ricaricabile agli ioni di litio (A17B5)
- Lo smaltimento di una batteria nel fuoco o in un forno caldo oppure la frantumazione o il taglio meccanico di una batteria, sono tutte azioni che possono provocare un'esplosione.
- **ATTENZIONE:** rischio di esplosione se la batteria viene sostituita con una di tipo non corretto. Non utilizzare batterie non ricaricabili!
- Una batteria soggetta a pressione dell'aria estremamente bassa può provocare un'esplosione o la fuoriuscita di liquidi o gas infiammabili. In caso di uso improprio, potrebbe fuoriuscire del liquido dalla batteria; evitare il contatto. In caso di contatto accidentale, sciacquare con acqua. Se il liquido entra in contatto con gli occhi, consultare un medico in quanto potrebbe causare irritazione o ustioni.
- Prima dello smaltimento dell'apparecchio, è necessario rimuovere la batteria.
- Quando si rimuove la batteria, è necessario che l'apparecchio sia scollegato dalla rete elettrica.
- Non smaltire la batteria esponendola a calore o fiamme.

Quando si smaltiscono le celle o le batterie secondarie, tenere separati gli elementi di sistemi elettrochimici diversi.

AVVERTENZA: per ricaricare la batteria, utilizzare esclusivamente l'unità di alimentazione rimovibile fornita con l'apparecchio.

Quando è collegato all'alimentazione CC, l'apparecchio deve essere alimentato solo alla tensione di sicurezza specificata sull'apparecchio.



Unità di alimentazione rimovibile

Scollegare l'alimentazione prima di eseguire le operazioni di pulizia e manutenzione.

- Adatto per il campeggio.
- L'apparecchio non deve essere esposto alla pioggia.
- Non conservare sostanze esplosive come bombolette spray con un propellente infiammabile in questo apparecchio.
- **AVVERTENZA:** Accertarsi che le aperture di ventilazione, nella scocca dell'apparecchio o nella struttura integrata, siano libere da ostruzioni.
- **AVVERTENZA:** non utilizzare dispositivi meccanici o altri mezzi per accelerare il processo di sbrinamento, se non quelli consigliati dal produttore.
- **AVVERTENZA:** non danneggiare il circuito refrigerante.
- **AVVERTENZA:** non utilizzare apparecchi elettrici all'interno dei vani per la conservazione degli alimenti dell'apparecchio, a meno che non siano del tipo consigliato dal produttore.



AVVERTENZA: rischio di incendio/materiali infiammabili.

AVVERTENZA: quando si posiziona l'apparecchio, assicurarsi che il cavo di alimentazione non sia schiacciato o danneggiato.

AVVERTENZA: non posizionare più prese mobili o alimentatori portatili sul retro dell'apparecchio.

Per evitare la contaminazione degli alimenti, leggere le seguenti istruzioni:

- L'apertura prolungata dello sportello può causare un notevole aumento della temperatura nei vani dell'apparecchio.
- Pulire regolarmente le superfici che possono entrare in contatto con alimenti e sistemi di drenaggio accessibili.
- Pulire i serbatoi dell'acqua se non vengono utilizzati per 48 ore. Svuotare l'impianto idrico collegato a una rete idrica se l'acqua non è stata utilizzata per 5 giorni.
- Conservare carne e pesce crudi in contenitori adeguati nel frigorifero, in modo che non entrino in contatto con altri alimenti.
- Se l'apparecchio viene lasciato vuoto per lunghi periodi di tempo, spegnerlo, sbrinarlo, pulirlo, asciugarlo e lasciare aperto lo sportello per evitare la formazione di muffa all'interno dell'apparecchio.



Dichiarazione di conformità

Questo prodotto è conforme ai requisiti della Comunità europea relativi alle interferenze radio. Con la presente, Anker Innovations Limited dichiara che l'apparecchiatura radio di tipo A17A1 è conforme alla normativa 2014/53/EU. Il testo completo della Dichiarazione di Conformità UE è disponibile sul seguente sito Web: <https://www.anker.com>.

Potenza massima in uscita: +4 dBm (per UE)

Banda di frequenza: Banda 2,4 G (2,4000 GHz - 2,4835 GHz)



Dichiarazione di conformità per il Regno Unito

Con la presente, Anker Innovations Limited dichiara che il prodotto è conforme alla normativa sulle apparecchiature radio del 2017. Il testo completo della dichiarazione di conformità del Regno Unito è disponibile sul seguente sito Web: <https://www.anker.com>.

Il seguente importatore è la parte responsabile per le questioni pertinenti all'UE e al Regno Unito.

Anker Technology (Regno Unito) Ltd

GNR8, 49 Clarendon Road, Watford, Hertfordshire, WD17 1HP, United Kingdom

Anker Innovations Deutschland GmbH

Georg-Muche-Strasse 3, 80807 Munich, Germany

Bluetooth: Il marchio denominativo e i loghi Bluetooth® sono marchi registrati di proprietà di Bluetooth SIG, Inc. e qualsiasi uso di tali marchi da parte di Anker Innovations Limited è in licenza. Gli altri marchi e nomi commerciali sono proprietà dei rispettivi titolari.

Produttore:

Anker Innovations Limited

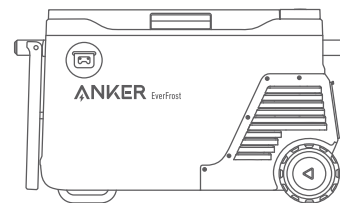
Room 1318-19, Hollywood Plaza, 610 Nathan Road, Mongkok, Kowloon, Hong Kong

Questo apparecchio di refrigerazione non è destinato a essere utilizzato come apparecchio da incasso.



Questo simbolo indica che il presente prodotto non deve essere trattato come rifiuto domestico. Dovrà invece essere consegnato al punto di raccolta applicabile per il riciclaggio di apparecchiature elettriche ed elettroniche.

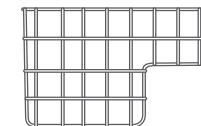
Contenuto della confezione



Anker EverFrost Powered Cooler 40



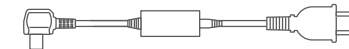
Batteria Anker per frigorifero alimentato



Cestino di immagazzinaggio



Cavo di ricarica per auto



Adattatore CA e cavo di ricarica

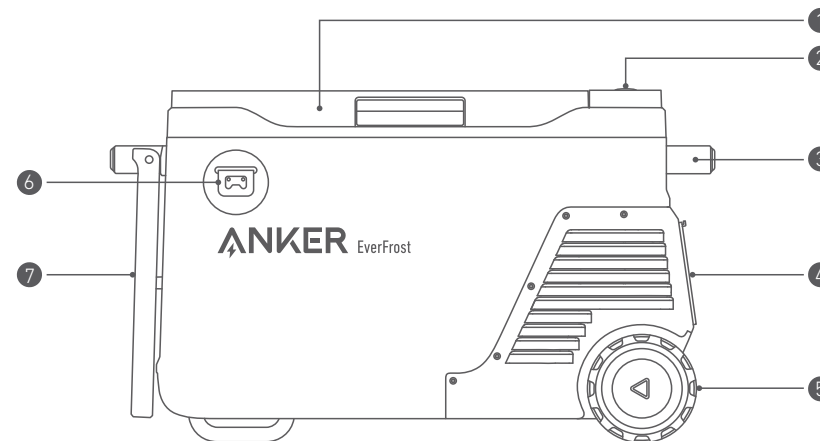


Cavo XT-60



Manuale d'uso

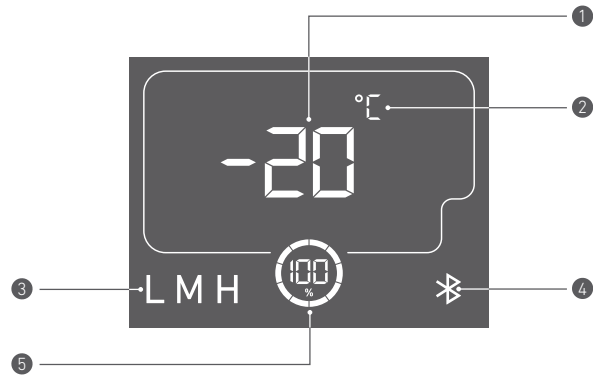
Panoramica



① Coperchio del frigorifero	⑤ Ruote
② Schermo LCD	⑥ Cacciavite
③ Maniglia	⑦ Vassoio
④ Coperchio della batteria	

Puntellare il vassoio e preparare il cavalletto sotto il frigorifero.

Schermo LCD

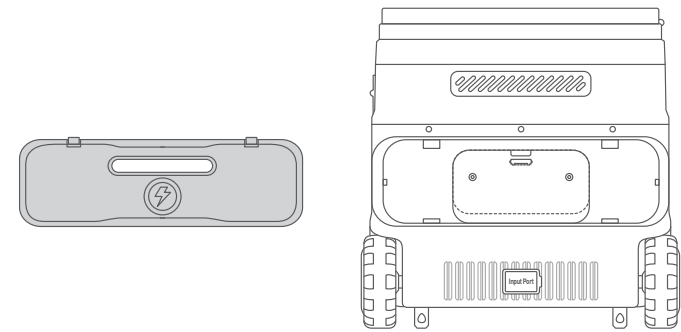


1 Temperatura	4 Bluetooth
2 Unità temperatura	5 Batteria residua in percentuale (se si utilizza la batteria per l'alimentazione)
3 Livello di protezione da tensione	

Alimentazione del frigorifero

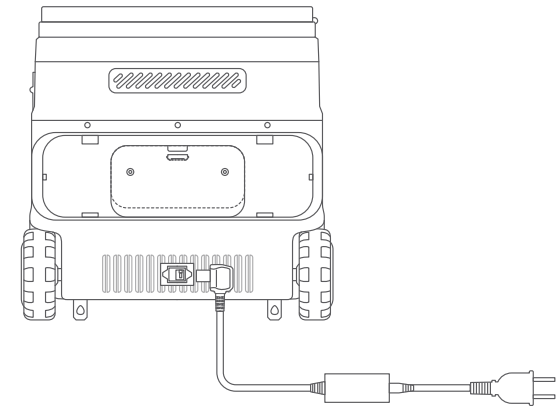
Si sconsiglia di utilizzare più metodi di ricarica contemporaneamente.

Senza la batteria



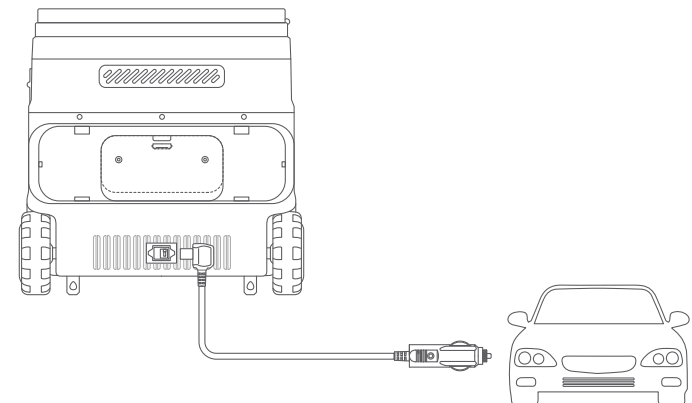
Alimentazione CA

Alimentare il frigorifero collegandolo a una presa a muro con il cavo di ricarica CA.

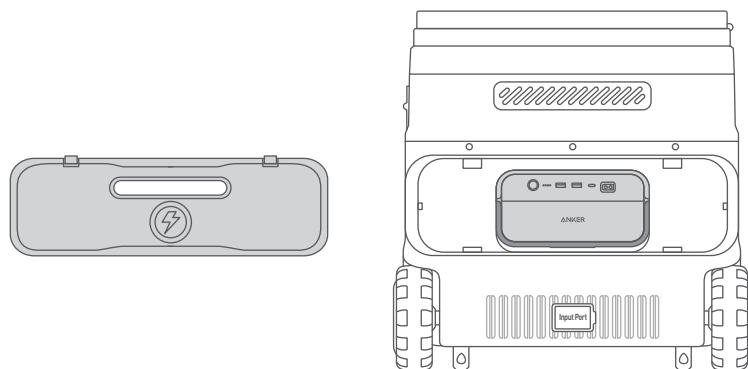


Alimentazione tramite auto

Collegare il frigorifero alla porta di uscita di un'auto con il cavo di ricarica per auto.

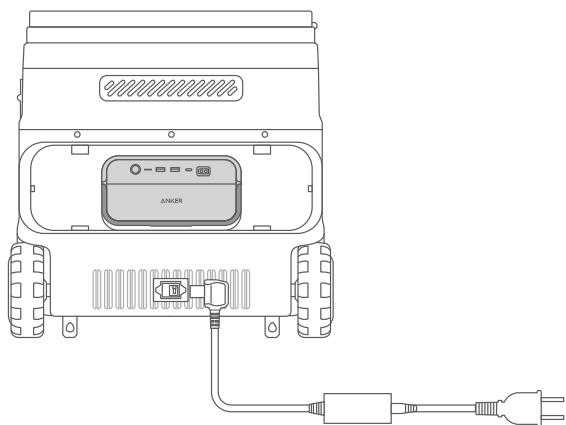


Con la batteria



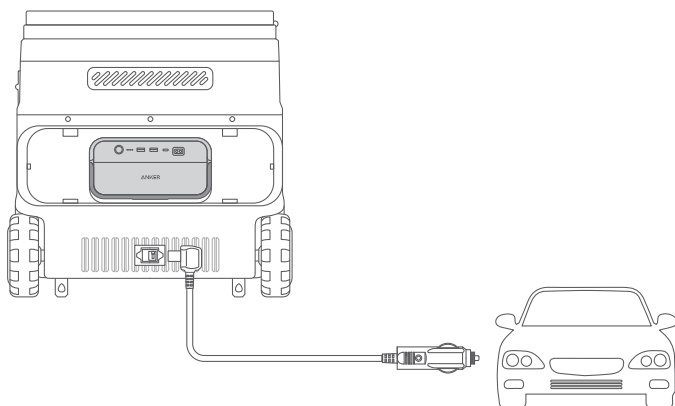
Alimentazione CA

Alimentare il frigorifero collegandolo a una presa a muro con il cavo di ricarica CA.



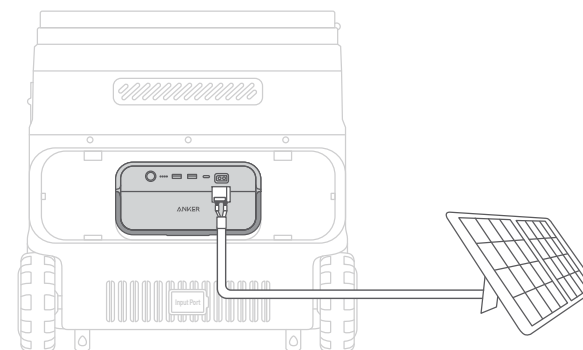
Alimentazione tramite auto

Collegare il frigorifero alla porta di uscita di un'auto con il cavo di ricarica per auto.



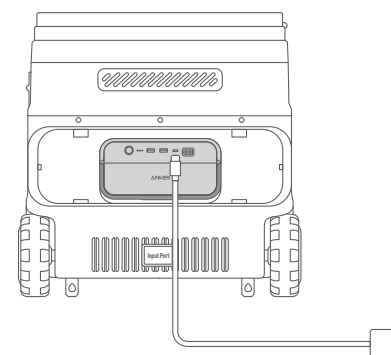
Ricarica tramite pannello solare

Alimentare il frigorifero collegando la batteria a un pannello solare con un cavo da XT-60 a XT-60.



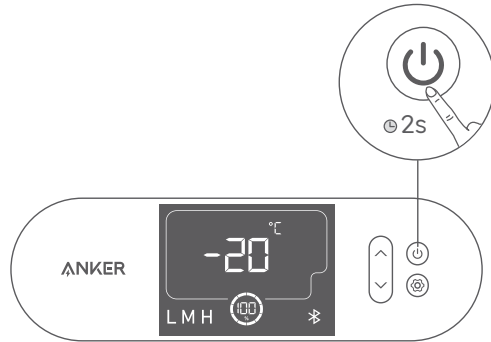
Ricarica USB-C

Alimentare il frigorifero collegando la batteria a una presa a muro con il cavo USB-C.

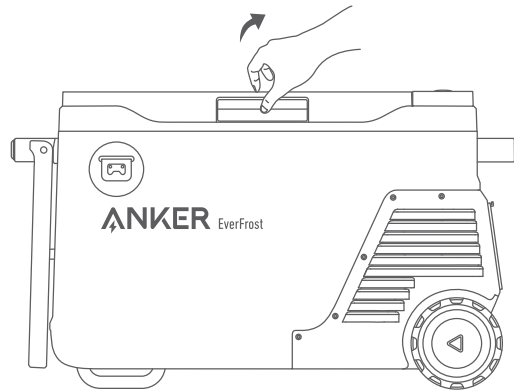


Utilizzo del frigorifero

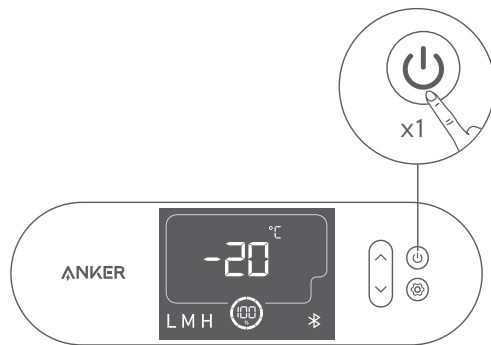
1. Tenere premuto il pulsante di accensione per due secondi per accendere il frigorifero. Lo schermo LCD si illuminerà.



2. Spingere il coperchio verso l'alto per aprire il frigorifero.

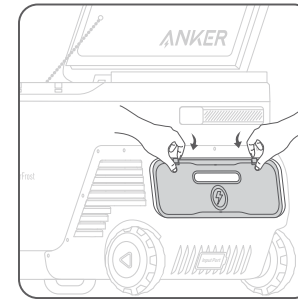


3. Premere una volta il pulsante di accensione per illuminare lo schermo LCD.

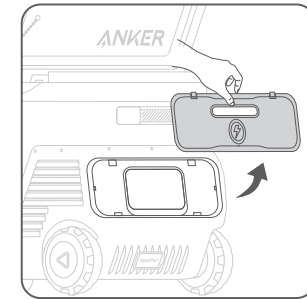


Installazione della batteria

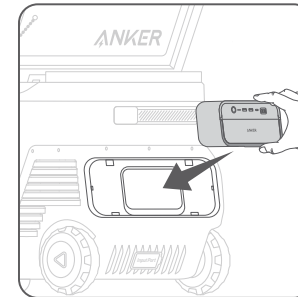
Premere gli innesti a scatto per rimuovere il coperchio della batteria. Inserire la batteria all'interno. Quando l'installazione sarà andata a buon fine, si sentirà un clic. A questo punto, riposizionare il coperchio della batteria.



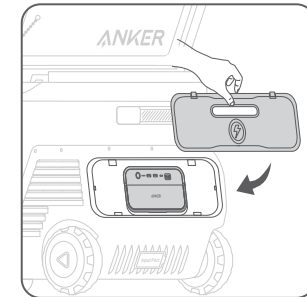
1




2



3



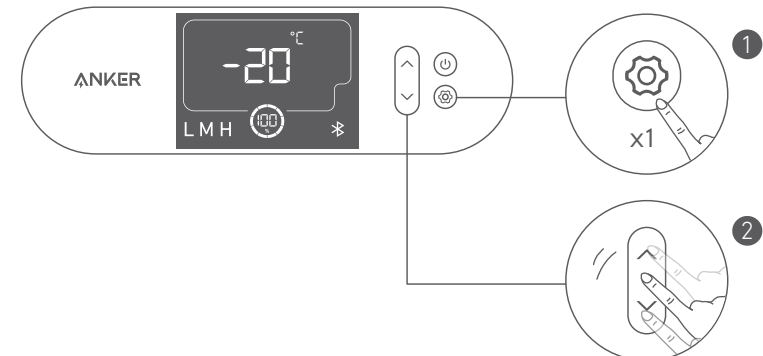
4

 Il coperchio della batteria si aprirà automaticamente quando viene sollevato.

Impostazione della temperatura

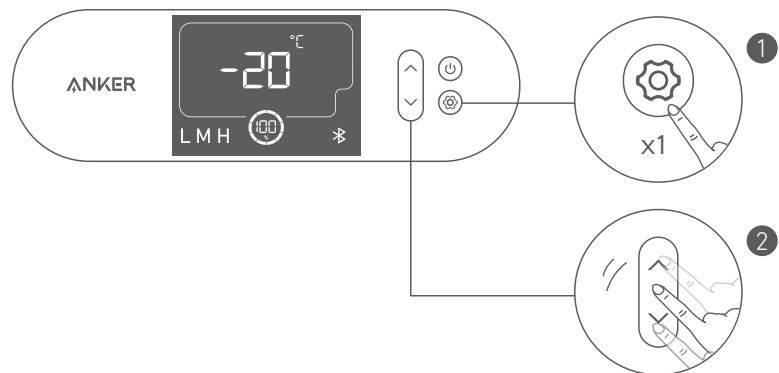
Per accedere alla modalità di regolazione della temperatura, premere il pulsante delle impostazioni finché il numero della temperatura non lampeggia.

Premere il pulsante verso l'alto o verso il basso per regolare la temperatura della zona e confermare la temperatura scelta premendo nuovamente il pulsante delle impostazioni.



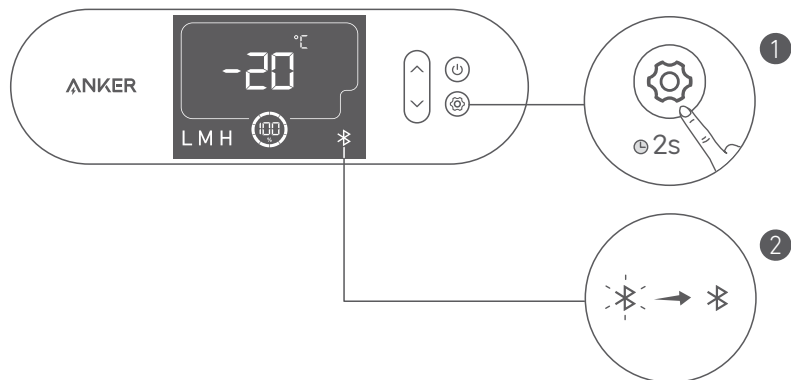
Impostazione dell'unità della temperatura

Per accedere alla modalità di regolazione della temperatura, premere il pulsante delle impostazioni finché l'icona dell'unità della temperatura non lampeggia. Premere il pulsante verso l'alto o verso il basso per scegliere tra "Celsius" e "Fahrenheit" e confermare l'unità scelta premendo nuovamente il pulsante delle impostazioni.



Bluetooth

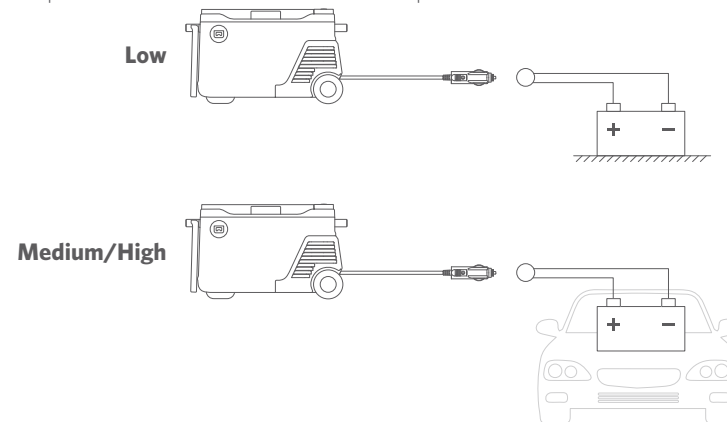
Tenere premuto il pulsante delle impostazioni per 2 secondi per accendere il Bluetooth. L'icona Bluetooth sullo schermo lampeggerà. Verrà stabilita automaticamente una connessione al telefono con il Bluetooth attivo e l'icona diventerà bianca fissa.



La funzione Bluetooth verrà disattivata dopo 12 ore senza alcuna connessione.

Livelli di protezione della batteria dell'auto

Per accedere alla modalità di regolazione del livello di tensione, premere il pulsante delle impostazioni finché l'icona del livello di tensione non lampeggia. Premere il pulsante verso l'alto o verso il basso per scegliere tra "L", "M" e "H" e confermare il livello scelto premendo nuovamente il pulsante delle impostazioni. Selezionare l'impostazione "M" o "H" quando il prodotto è alimentato da un'auto. Si consiglia di selezionare l'impostazione "L" quando è alimentato da un alimentatore indipendente.



	12 V		24 V	
	Tensione di esercizio	Tensione di avviamento	Tensione di esercizio	Tensione di avviamento
Alta	12 V	12,5 V	24,7 V	26,1 V
Media	11,4 V	12,2 V	24,3 V	25,3 V
Bassa	10,4 V	11,3 V	21,9 V	22,9 V

Quando la tensione della batteria dell'auto è inferiore al valore impostato senza batteria, il frigorifero smetterà di funzionare.

Quando la tensione della batteria dell'auto è inferiore al valore impostato, il frigorifero utilizzerà l'alimentazione fornita dalla propria batteria. Una volta ripristinata la batteria dell'auto, la batteria dell'auto verrà nuovamente utilizzata come fonte di alimentazione.

L'app Anker per il controllo intelligente

È possibile controllare a distanza il frigorifero alimentato utilizzando l'app Anker. Scaricare l'app e il manuale utente dell'app scansionando questo codice QR.

Collegare il dispositivo a una rete prima di usare l'app per la prima volta. Dopo una corretta connessione, collegare i dispositivi fuori rete.



Specifiche

Capacità	43 L
Capacità della batteria	299Wh
Tensione di ingresso CA	100V-240V, 50Hz/60Hz
Potenza in ingresso CA	95W Max
Ingresso CC	5,5A(12V)/ 2,5A(24V)
Refrigerante	R1234yf (30g)
Dimensioni	73,2 x 43,0 x 48,7cm
Peso netto	21,8kg/48lb
Intervallo di temperatura nel frigorifero	-20 ~ 20° C / -4~68° F
Intervallo di temperatura di esercizio	0 - 40°C / 32 ~ 104° F

Risoluzione dei problemi

- Promemoria per chiudere gli sportelli: il segnalatore acustico invierà un promemoria se il coperchio del frigorifero non viene chiuso per più di 180 secondi.
- Il frigorifero smetterà di funzionare se l'angolo di inclinazione supera i 30 gradi. Posizionarlo in orizzontale; in 5 minuti riprenderà il normale funzionamento.

Domande frequenti

D1: Quanto dura la batteria del frigorifero quando è completamente carica?

La capacità della batteria del frigorifero è di 299 Wh. Quando la temperatura del frigorifero è alla temperatura ambiente di 25 °C, funzionerà per 35.8 ore con una temperatura di conservazione di 4 °C.

D2: A quale temperatura ambiente può essere utilizzato normalmente il frigorifero?

La temperatura ambiente consigliata è di 0 - 40 °C.

D3: Cosa devo fare quando uso un caricatore solare per Anker EverFrost Powered Cooler?

L'ingresso solare supporta un caricatore solare da 11-30 V con un connettore XT-60. Si consiglia di utilizzare il pannello solare Anker da 100 W per ottenere la massima compatibilità.

Condizioni di garanzia di Anker EverFrost Powered Cooler

Questo Anker EverFrost Powered Cooler acquistato su AnkerDirect e presso i rivenditori autorizzati Anker è coperto da garanzia limitata ("garanzia") come indicato di seguito. L'uso di un Anker EverFrost Powered Cooler implica l'accettazione dei vincoli stabiliti nei termini della garanzia limitata.

Garanzia limitata di 2 anni per Anker EverFrost Powered Cooler e garanzia limitata di 3 anni per il compressore per gli acquisti effettuati su AnkerDirect e presso i rivenditori autorizzati Anker. Il periodo di garanzia decorre dalla data di acquisto.

La garanzia limitata Anker è riservata al paese di acquisto. La garanzia limitata non è valida per gli articoli trasportati al di fuori del paese in cui sono stati inizialmente acquistati o spediti direttamente da un sito di acquisti online autorizzato.

Esclusioni e limitazioni

Non coperti da garanzia:

- Prodotti danneggiati o modificati.
- Prodotti utilizzati con un cavo di alimentazione, una spina o un cavo di uscita danneggiato.
- Prodotti smontati.
- Prodotti puliti con agenti chimici o detergenti nocivi.
- Problemi non correlati alla qualità (dopo 30 giorni dall'acquisto).
- Prodotti acquistati da rivenditori non autorizzati.
- Prodotti privi di prova d'acquisto sufficiente.
- Prodotti rimborsati.
- Prodotti con garanzia scaduta.
- Prodotti smarriti, rubati o gratuiti.
- Danni causati da fonti esterne.
- Riparazioni tramite terze parti.
- Danni causati dall'uso improprio dei prodotti (tra cui, a titolo esemplificativo, cadute, uso del prodotto al di sopra della sua potenza nominale, esposizione del prodotto a pioggia o neve, pressione dell'aria estremamente bassa, temperature estreme).
- Acquisti da fonti illegittime.
- Batterie che hanno riportato danni a seguito di un mancato utilizzo prolungato o di una manutenzione non corretta in base a quanto indicato nel manuale utente.

Anker non è responsabile per:

- Perdita di dati derivante dall'uso dei prodotti Anker.
- Restituzione di oggetti personali inviati ad Anker.

Quando si restituiscono articoli con un'etichetta di spedizione prepagata fornita da Anker, Anker si assume la responsabilità di eventuali danni o perdite subiti durante il trasporto. In caso di restituzione di articoli per problemi non correlati alla qualità, l'acquirente si assume la responsabilità di eventuali danni o perdite subiti durante il trasporto. Anker non fornisce rimborsi per gli articoli danneggiati durante il trasporto a causa di richieste di garanzia non correlate alla qualità.

Richieste di rimborso e garanzia

Per maggiori dettagli, visitare la pagina Web www.anker.com/anker-portable-power-station-warranty-policy

Per le richieste di garanzia, è possibile inviare un'e-mail ai seguenti indirizzi:

Mercato USA/CA/Regno Unito/DE/JP: support@anker.com

Mercato MEA: support.mea@anker.com

Mercato CN: CEd-CN@anker.com

Oppure è possibile chiamarci ai seguenti numeri:

USA/CA: +1(800)988 7973

DE: +49(0)69 9579 7960

Emirati Arabi Uniti: +971 8000 320 817

Kuwait: +965 2206 9086

AU: +61 3 8331 4800

RU: +8(800)511 8623

KR: +82 0216 7070 98

Medio Oriente e Africa: +971 4242 8633

Regno Unito: +44(0)1604 936 200

JP: +81 03 4455 7823

KSA: +966 8008 500 030

Egitto: +20 8000 000 826

TR: +90(850)460 1414

CN: +86 400 0550 036

IN: +91 1800 3138 831

Prova d'acquisto valida

Visitare la pagina Web: <https://us.anker.com/policies/refund-policy>

Le spese di spedizione devono essere coperte dall'acquirente nelle seguenti situazioni

Visitare la pagina Web: <https://us.anker.com/policies/refund-policy>

Questa pagina è allegata alla pagina di garanzia Anker e Anker si riserva il diritto dell'interpretazione finale dei contenuti.

Registra subito il tuo Anker EverFrost

Perché registrarsi?

1. Garanzia senza problemi: Conferma la garanzia limitata di 2 anni per il tuo Anker EverFrost Powered Cooler e la garanzia limitata di 3 anni per il compressore.
2. Rapida assistenza clienti: goditi un servizio clienti esclusivo e ottieni rapidamente ciò di cui hai bisogno.
3. Ricevi le ultime notizie: ottieni anteprime esclusive sui nuovi prodotti e aggiornamenti istantanei sugli eventi ufficiali.



- Per ulteriori informazioni su Anker EverFrost, scansiona il codice QR qui sotto per accedere alla pagina self-service intelligente.



Let op



Niet toegestaan in vliegtuigen.

Belangrijke veiligheidsinstructies

GWP: R1234yf: 4

Dit apparaat is niet bedoeld voor gebruik door personen (inclusief kinderen) met verminderde fysieke, zintuiglijke of mentale vermogens of gebrek aan ervaring en kennis, tenzij ze onder toezicht staan of instructies hebben gekregen over het gebruik van het apparaat door iemand die verantwoordelijk is voor hun veiligheid.

Kinderen moeten onder toezicht staan om te zorgen dat ze niet met dit apparaat spelen.

Dit apparaat kan worden gebruikt door kinderen van acht jaar en ouder en personen met verminderde fysieke, zintuiglijke of mentale vermogens of gebrek aan ervaring en kennis, mits ze onder toezicht staan of instructies hebben gekregen over het veilige gebruik van het apparaat en de erbij betrokken gevaren begrijpen. Zonder toezicht mogen kinderen het apparaat niet schoonmaken en onderhouden.

Kinderen van drie tot en met acht jaar mogen koelapparaten in- en uitladen.

Koelapparaten kunnen worden gebruikt door kinderen van drie jaar en ouder en personen met verminderde fysieke, zintuiglijke of mentale vermogens of gebrek aan ervaring en kennis, mits ze onder toezicht staan of instructies hebben gekregen over het veilige gebruik van het apparaat en de erbij betrokken gevaren begrijpen.

Houd kinderen jonger dan drie jaar uit de buurt van het apparaat, tenzij ze voortdurend onder toezicht staan.

Het apparaat mag alleen met de meegeleverde voedingseenheid worden gebruikt.

Als het snoer is beschadigd, moet het worden vervangen door de fabrikant, zijn onderhoudsmonteur of vergelijkbaar gekwalificeerde personen om gevaar te voorkomen.

De volgende instructies gelden voor apparaten met accu's die door de gebruiker kunnen worden vervangen:

- Soort accu: oplaadbare lithium-ionaccu (A17B5)
- Als u een accu in vuur of een hete oven gooit, mechanisch plet of snijdt, kan dat leiden tot een explosie.
- LET OP: explosiegevaar als de accu door een accu van een verkeerd type wordt vervangen. Gebruik geen niet-oplaadbare accu's!
- Als een accu wordt blootgesteld aan extreem lage luchtdruk, kan dit leiden tot een explosie of lekkage van brandbare vloeistof of gas. Onder verkeerde omstandigheden kan er vloeistof uit de accu lekken; raak dit niet aan. Als u in contact komt met vloeistof uit de accu, moet u het lichaamsdeel met water afspoelen. De vloeistof kan irritatie en brandwonden veroorzaken, dus zoek medische hulp als er vloeistof in uw ogen komt.
- De accu moet worden verwijderd voordat dit apparaat wordt afgedankt.
- Als de accu wordt verwijderd, moet het apparaat van het elektriciteitsnet zijn ontkoppeld.
- Gooi de accu niet weg in hitte of vuur.

Houd bij het weggooiën van secundaire cellen of accu's, de cellen of accu's met verschillende elektrochemische systemen gescheiden.

WAARSCHUWING: Gebruik voor het opladen van de accu alleen de afneembare voedingseenheid die met dit apparaat wordt meegeleverd.

Als het apparaat op gelijkstroom is aangesloten, mag het alleen worden gebruikt met het veilige voltage dat op het apparaat is aangegeven.



Afneembare voedingseenheid

Koppel de voeding voor reiniging en onderhoud los.

- Geschikt voor kamperen.
- Het apparaat mag niet worden blootgesteld aan regen.
- Bewaar geen explosieve stoffen zoals spuitbussen met brandbaar drijfgas in dit apparaat.
- **WAARSCHUWING:** houd ventilatieopeningen, zowel in de behuizing als intern, vrij van obstakels.
- **WAARSCHUWING:** probeer het ontdooiproces niet met mechanische hulpmiddelen of andere manieren te versnellen, behalve op manieren die door de fabrikant worden aanbevolen.
- **WAARSCHUWING:** beschadig het koelmiddelcircuit niet.
- **WAARSCHUWING:** gebruik geen elektrische apparaten in de koelruimten van het apparaat, behalve soorten apparaten die door de fabrikant worden aanbevolen.



WAARSCHUWING: risico op brand / onvlambare materialen.

WAARSCHUWING: als u het apparaat plaatst, moet u zorgen dat het snoer niet bekneld of beschadigd raakt.

WAARSCHUWING: plaats geen stekkerdozen of draagbare voedingen achter het apparaat.

Lees de volgende instructies om besmetting van voedsel te voorkomen:

- Als de deur lang geopend blijft, kan de temperatuur in de koelruimten van het apparaat aanzienlijk stijgen.
- Maak oppervlakken die in contact met voedsel kunnen komen en toegankelijke afvoersystemen regelmatig schoon.
- Maak waterreservoirs schoon als ze 48 uur niet zijn gebruikt. Spoel het watersysteem dat op een waterleiding is aangesloten door als er vijf dagen geen water is getapt.
- Bewaar rauw vlees en vis in geschikte bakjes in de koelkast, zodat ze niet in contact met ander voedsel komen.
- Als het apparaat lang leeg blijft staan, moet u het uitschakelen, ontdooien, schoonmaken, drogen en de deur open laten staan, zodat het apparaat van binnen niet beschimmelt.



Verklaring van conformiteit

Dit product voldoet aan de EU-vereisten met betrekking tot radio-interferentie. Hierbij verklaart Anker Innovations Limited dat dit radioproducttype A17A1 voldoet aan de bepalingen van de EU-richtlijn 2014/53/EU. De volledige tekst van de conformiteitsverklaring voor de EU is beschikbaar op de volgende website: <https://www.anker.com>.

Maximaal uitgangsvermogen: +4 dBm (voor de EU)

Frequentieband: 2,4G-band (2,4000 GHz – 2,4835 GHz)



Conformiteitsverklaring voor het VK

Hierbij verklaart Anker Innovations Limited dat dit product voldoet aan de bepalingen van de Radio Equipment Regulations 2017. De volledige tekst van de verklaring van conformiteit voor het VK vindt u op: <https://www.anker.com>.

De volgende importeur is de verantwoordelijke partij voor EU- en VK-zaken:

Anker Technology (UK) Ltd

GNR8, 49 Clarendon Road, Watford, Hertfordshire, WD17 1HP, United Kingdom

Anker Innovations Deutschland GmbH

Georg-Muche-Strasse 3, 80807 Munich, Germany

Bluetooth:

Het woordmerk en de logo's van Bluetooth® zijn gedeponeerde handelsmerken van Bluetooth SIG, Inc. en elk gebruik van dergelijke merken door Anker Innovations Limited gebeurt onder licentie. Andere handelsmerken en handelsnamen zijn eigendom van de desbetreffende eigenaren.

Fabrikant:

Anker Innovations Limited

Room 1318-19, Hollywood Plaza, 610 Nathan Road, Mongkok, Kowloon, Hong Kong

Dit koelapparaat is niet bedoeld voor gebruik als inbouwapparaat.



Dit symbool geeft aan dat dit product niet als huishoudelijk afval mag worden behandeld. In plaats daarvan moet het worden ingeleverd bij het daarvoor bestemde inzamelpunt voor de recycling van elektrische en elektronische apparatuur.

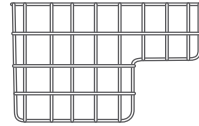
Wat zit er in de doos?



Anker EverFrost Powered Cooler 40



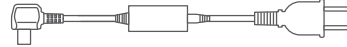
Anker-accu voor elektrische koelbox



Oplader en oplaadkabel



Auto-oplaadkabel



AC-adapter en oplaadkabel

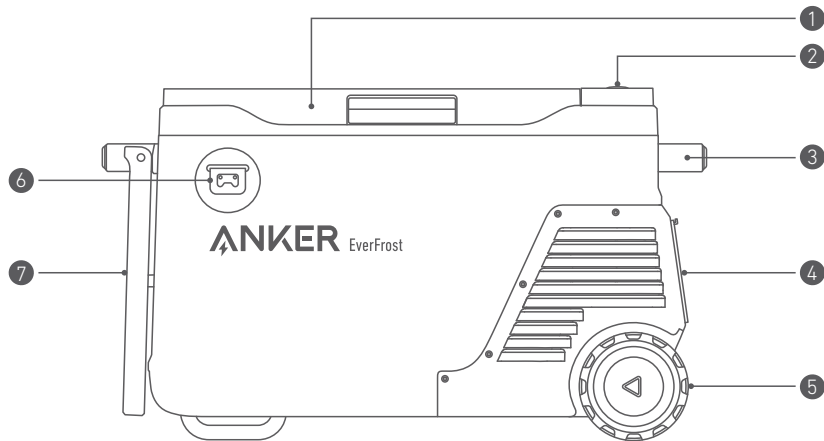


XT-60-kabel



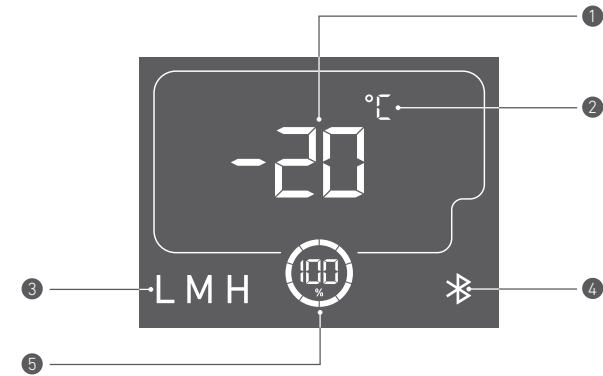
Handleiding

Overzicht



1 Deksel	5 Wielen
2 Lcd-scherm	6 Schroevendraaier
3 Handvat	7 Opklaptafeltje
4 Accuklepje	

Lcd-scherm



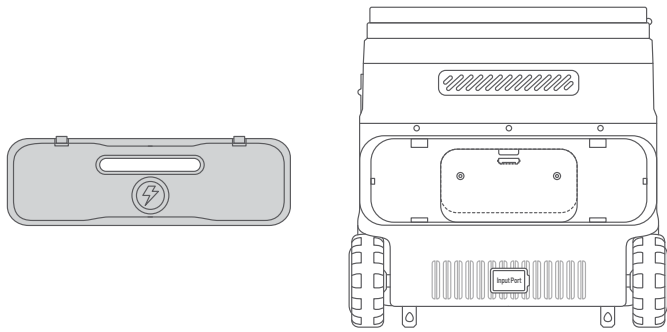
1 Temperatuur	4 Bluetooth
2 Temperatuureenheid	5 Resterend accupercentage (als de accuvoeding wordt gebruikt)
3 Spanningsbeveiligingsniveau	

U kunt het tafeltje met de standaard onder de koelbox ondersteunen.

Voeding voor uw koelbox

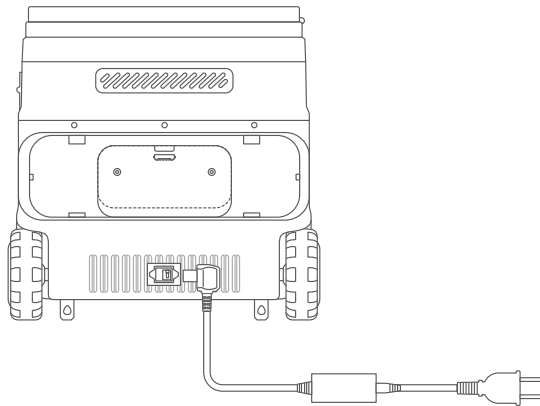
We raden af om meerdere oplaadmethode tegelijk te gebruiken.

Zonder de accu:



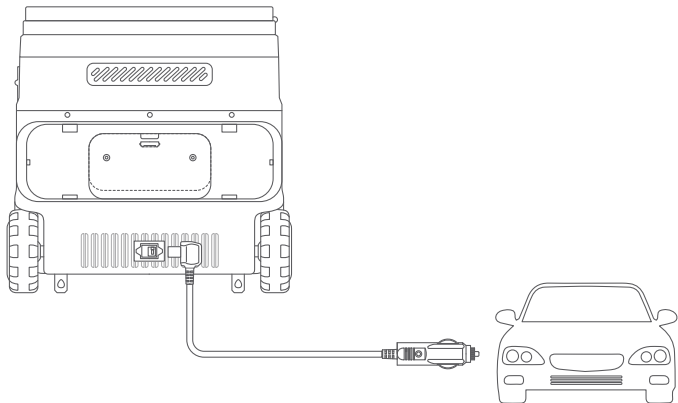
Opladen met netstroom

U kunt de koelbox met de AC-oplaadkabel op een wandcontactdoos aansluiten..

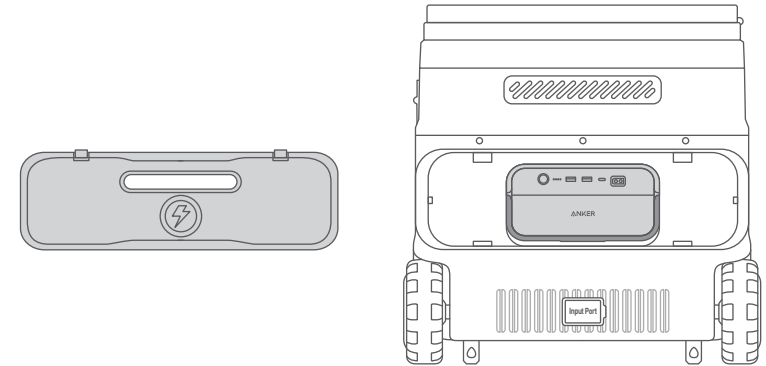


Opladen met autostrroom

U kunt de koelbox met de auto-oplaadkabel op het autostopcontact aansluiten.

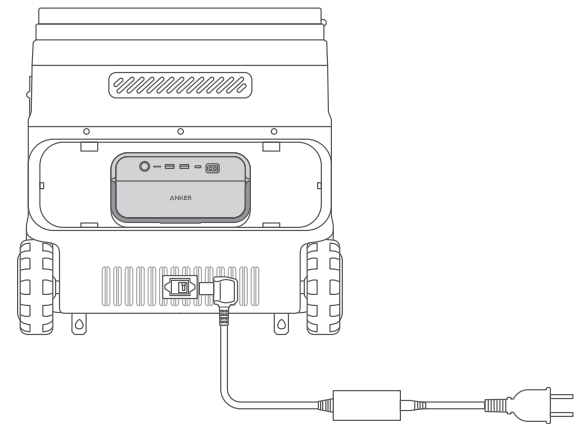


Met de accu



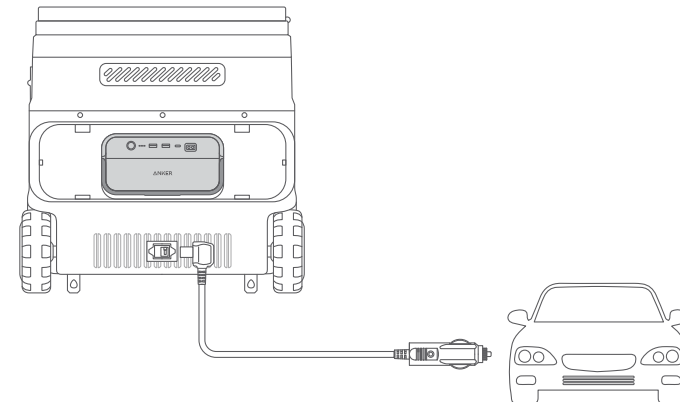
Opladen met netstroom

U kunt de koelbox met de AC-oplaadkabel op een wandcontactdoos aansluiten.



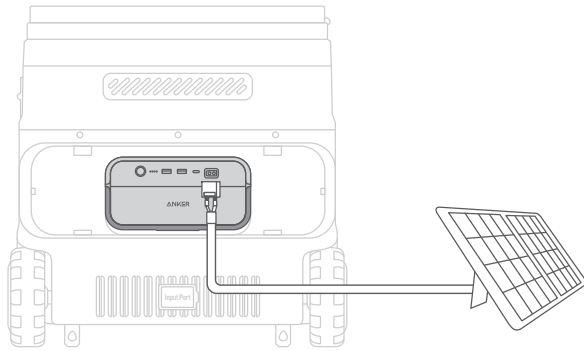
Opladen met autostrroom

U kunt de koelbox met de auto-oplaadkabel op het autostopcontact aansluiten.



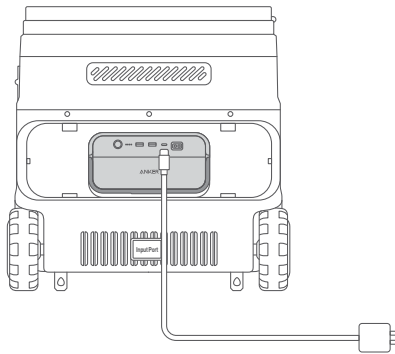
Opladen met zonne-energie

U kunt de koelbox met een XT-60-kabel op een zonnepaneel aansluiten.



Opladen met USB-C

U kunt de koelbox met de USB-C-kabel op de accu aansluiten.

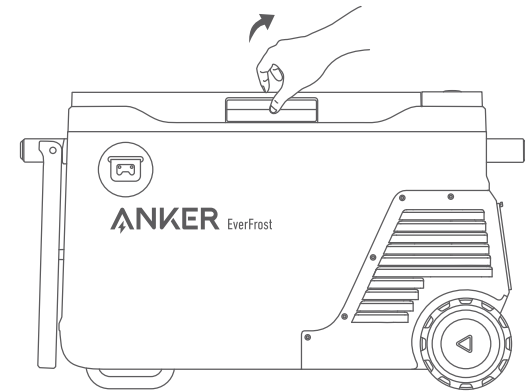


Uw koelbox gebruiken

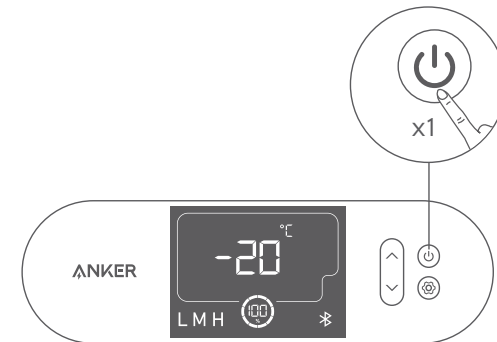
1. Houd de aan-uitknop twee seconden ingedrukt om uw koelbox aan te zetten. Het lcd-scherm gaat aan.



2. Duw het deksel omhoog om de koelbox te openen.

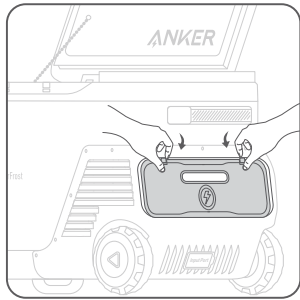


3. Druk de aan-uitknop in om het lcd-scherm aan te zetten.

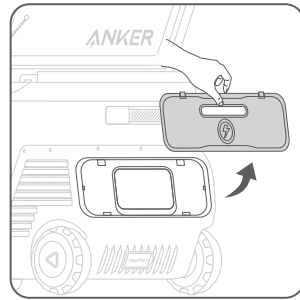


De accu plaatsen

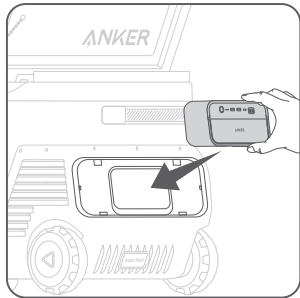
Druk op de kliksluitingen om het acculepje te verwijderen. Plaats de accu; als u een klik hoort, zit hij op zijn plaats. Vervolgens plaatst u het acculepje terug.



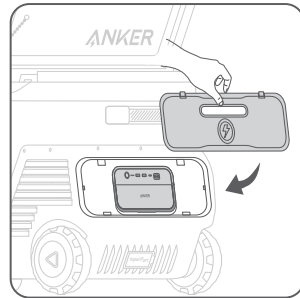
1



2



3

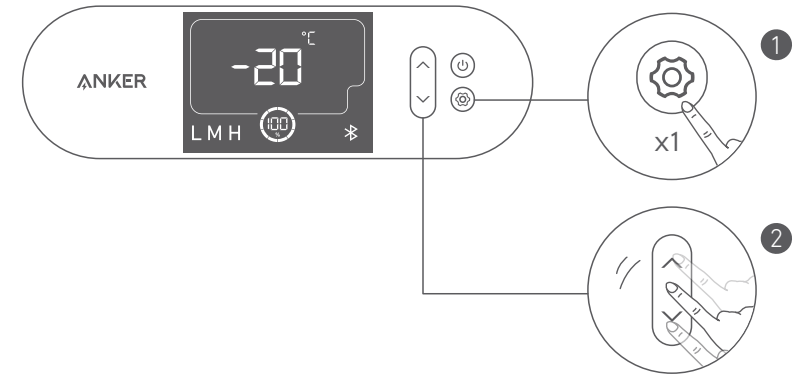


4

 Als het acculepje wordt opgetild, gaat het automatisch open.

De temperatuur instellen

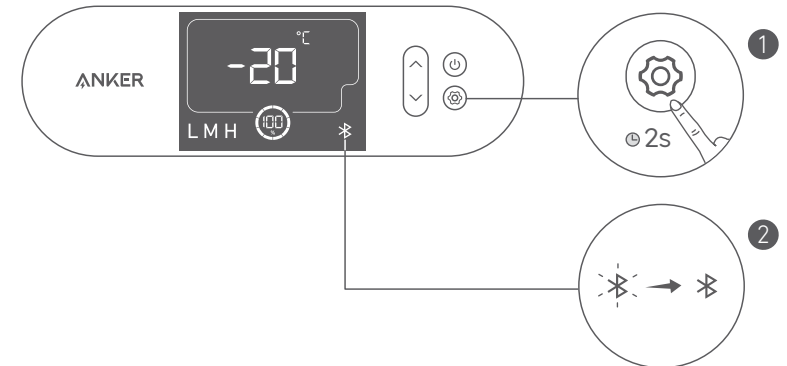
Druk op de instellingenknop om tussen Fahrenheit en Celsius te wisselen. Druk op de knoppen omhoog en omlaag om de temperatuur in te stellen en bevestig de instelling door nogmaals op de knop te drukken.



Bluetooth

Houd de instellingenknop twee seconden ingedrukt om bluetooth aan te zetten. Het bluetoothpictogram op het scherm knippert.

De koelbox maakt automatisch verbinding met uw telefoon, waarna het pictogram wit gaat branden.

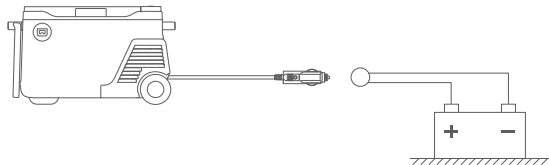


 Na twaalf uur zonder een verbinding wordt de bluetoothfunctie uitgezet.

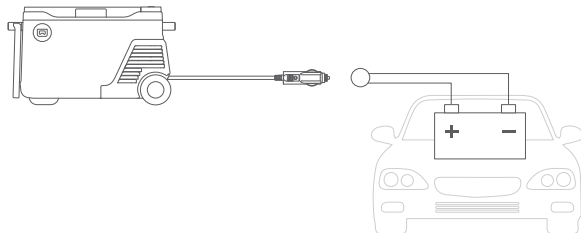
Autoaccubescherming

Als u de koelbox via een auto van stroom voorziet, kunt u op de instellingenknop drukken om de minimale accuspanning van de auto in te stellen. Druk op de knoppen omhoog en omlaag om het minimumniveau in te stellen.

Low



Medium/High



	12 V		24 V	
	Bedrijfsspanning	Opstartspanning	Bedrijfsspanning	Opstartspanning
Hoog	12 V	12,5 V	24,7 V	26,1 V
Gemiddeld	11,4 V	12,2 V	24,3 V	25,3 V
Laag	10,4 V	11,3 V	21,9 V	22,9 V

Als de autoaccuspanning zakt tot onder het ingestelde niveau, gaat uw koelbox uit.

Als de accuspanning van de auto lager is dan de ingestelde waarde, schakelt de koelbox over op zijn eigen accu. Zodra de spanning is hersteld, wordt de autoaccu weer als voeding gebruikt.

Slimme bediening met de Anker-app

U kunt uw koelbox met de Anker-app op afstand bedienen. Scan deze QR-code om de app en de bijbehorende handleiding te downloaden.

Verbind het apparaat met een netwerk voordat u de app voor het eerst gebruikt. Nadat de verbinding is gemaakt, kunt u zonder netwerk met uw apparaten verbinding maken.



Specificaties

Capaciteit	299Wh
AC-invoer	100V-240V, 50Hz/60Hz
AC-ingangsvermogen	95W Max
DC-invoer	5,5A(12V)/ 2,5A(24V)
Afmetingen	73,2 x 43,0 x 48,7cm
Nettogewicht	21,8kg/48lb
Temperatuurbereik in de koelbox	-20 ~ 20° C / -4~68° F
Bedrijfstemperatuurbereik	0 - 40°C / 32 ~ 104° F

Problemen oplossen

- Deurherinnering: als het deksel van de koelbox langer dan 180 seconden niet is gesloten, klinkt er een geluid.
- Als de koelbox meer dan 30° wordt gekanteld, gaat hij uit. Als u hem horizontaal zet, gaat hij na vijf minuten weer normaal werken.

Veelgestelde vragen

V1: Hoe lang gaat een volledig opgeladen accu mee?

De accu van de koelbox heeft een capaciteit van 299 Wh. Als de temperatuur van de koelbox 25 °C is, kan hij 35,8 uur werken (4°C).

V2: Bij welke omgevingstemperatuur kan de koelbox normaal worden gebruikt?

De aanbevolen omgevingstemperatuur is 0 – 40 °C.

V3: Hoe gebruik ik een zonnepaneel om de Anker EverFrost Powered Cooler op te laden?

De zonne-ingang ondersteunt een 11-30V-zonnepaneel met een XT-60-stekker. Voor de beste compatibiliteit raden we aan om het Anker 100W-zonnepaneel te gebruiken.

Garantiebeleid voor de Anker EverFrost Powered Cooler

Deze Anker EverFrost Powered Cooler, aangeschaft bij AnkerDirect of door Anker geautoriseerde wederverkopers, wordt geleverd met de hieronder beschreven beperkte garantie ('garantie'). Als u een Anker EverFrost Powered Cooler gebruikt, gaat u akkoord met de voorwaarden van Anker's beperkte garantie.

Twee jaar beperkte garantie voor de Anker EverFrost Powered Cooler en drie jaar beperkte garantie voor de compressor voor aankopen bij AnkerDirect of door Anker geautoriseerde wederverkopers. De garantieperiode begint op de aankoopdatum.

Anker's beperkte garantie is beperkt tot het land van aankoop. De beperkte garantie is niet van toepassing op artikelen die worden verplaatst naar een ander land dan het land van aankoop of die rechtstreeks via de geautoriseerde verkoper worden verstuurd naar een ander land.

Uitsluitingen en beperkingen

Niet onder de garantie vallen:

- Beschadigde of gewijzigde producten.
- Producten die met een beschadigd snoer, stekker of uitvoerkabel zijn gebruikt.
- Gedemonteerde producten.
- Met schadelijke chemicaliën of schoonmaakmiddelen schoongemaakte producten.
- Problemen die niet aan kwaliteit zijn gerelateerd (vanaf dertig dagen na aankoop).
- Bij niet-geautoriseerde wederverkopers aangeschafte producten.
- Producten zonder voldoende aankoopbewijs.
- Producten die zijn terugbetaald.
- Producten waarvan de garantie is verlopen.
- Verloren, gestolen en gratis producten.
- Door externe bronnen beschadigde producten.
- Door derden gerepareerde producten.
- Schade door verkeerd gebruik van producten (waaronder maar niet uitsluitend vallen, het product gebruiken met een te hoog uitgangsvermogen of blootgesteld aan regen of sneeuw, extreem lage luchtdruk of extreme temperaturen).
- Aankopen bij illegale bronnen.
- Accu's die zijn beschadigd als ze lange tijd niet zijn gebruikt of niet volgens de gebruikershandleiding zijn onderhouden.

Anker is niet aansprakelijk voor:

- Gegevensverlies als gevolg van het gebruik van Anker-producten.
- Het retourneren van persoonlijke voorwerpen die naar Anker zijn gestuurd.

Als artikelen worden geretourneerd met een vooraf betaald en door Anker verstrekt verzendetiket, neemt Anker de verantwoordelijkheid voor schade en verlies tijdens het transport op zich. Als artikelen niet vanwege kwaliteitsproblemen worden geretourneerd, neemt de koper verantwoordelijkheid voor schade en verlies tijdens het transport op zich. Anker biedt geen restitutie voor artikelen die tijdens transport worden beschadigd als de garantieaanspraak niet aan kwaliteit is gerelateerd.

Restitutie en garantieaanspraken

Ga voor meer informatie naar www.anker.com/anker-portable-power-station-warranty-policy

Voor garantieaanspraken kunt u een e-mail sturen naar:

VS/CA/VK/DE/JP: support@anker.com

Midden-Oosten en Afrika: support.mea@anker.com

China: CED-CN@anker.com

U kunt ons ook bellen op:

USA/CA: +1 (800) 988 7973

DE: +49(0)69 9579 7960

Emirati Arabi Uniti: +971 8000 320 817

Kuwait: +965 2206 9086

AU: +61 3 8331 4800

RU: +8(800)511 8623

KR: +82 0216 7070 98

Medio Oriente e Africa: +971 4242 8633

Regno Unito: +44(0)1604 936 200

JP: +81 03 4455 7823

KSA: +966 8008 500 030

Egitto: +20 8000 000 826

TR: +90(850)460 1414

CN: +86 400 0550 036

IN: +91 1800 3138 831

Geldig aankoopbewijs

Zie: <https://us.anker.com/policies/refund-policy>

In de volgende situaties is de koper verantwoordelijk voor de verzendkosten

Zie: <https://us.anker.com/policies/refund-policy>

Deze pagina is gekoppeld aan de Anker-garantiepagina en Anker behoudt zich het recht voor om de inhoud definitief te interpreteren.

Registreer uw Anker EverFrost nu

Waarom registreren?

1. Probleemloze garantie: bevestig de beperkte garantie van twee jaar voor uw Anker EverFrost Powered Cooler en de beperkte garantie van drie jaar voor de compressor.
2. Snelle klantenservice: profiteer van exclusieve klantenservice en krijg snel alles wat u nodig hebt.
3. Ontvang het laatste nieuws: zie als eerste de nieuwste producten en krijg meteen nieuws over officiële evenementen.



- Scan de volgende QR-code voor de slimme zelfbedieningspagina met meer informatie over uw Anker EverFrost.



Atenção



Transporte em aviões não permitido.

Instruções de segurança importantes

GWP: R1234yf: 4

Este aparelho não se destina a ser utilizado por pessoas (incluindo crianças) com capacidades físicas, sensoriais ou mentais reduzidas, ou com falta de experiência e conhecimentos, a menos que recebam instruções relativas à utilização do aparelho ou sejam supervisionadas por uma pessoa responsável pela sua segurança.

As crianças devem ser supervisionadas para garantir que não brincam com este aparelho.

Este aparelho pode ser utilizado por crianças a partir dos 8 anos de idade e por pessoas com capacidades físicas, sensoriais ou mentais reduzidas ou com falta de experiência e conhecimentos caso sejam supervisionadas ou recebam instruções relativas à utilização do aparelho em segurança e compreendam os perigos envolvidos. As operações de limpeza e manutenção a realizar pelo utilizador não devem ser feitas por crianças sem supervisão.

As crianças dos 3 aos 8 anos de idade podem carregar e descarregar aparelhos de refrigeração.

Os aparelhos de refrigeração podem ser utilizados por crianças a partir dos 3 anos de idade e pessoas com capacidades físicas, sensoriais ou mentais reduzidas ou com falta de experiência e conhecimentos caso sejam supervisionadas ou recebam instruções relativas à utilização do aparelho em segurança e compreendam os perigos envolvidos.

As crianças com menos de 3 anos de idade devem ser mantidas afastadas do aparelho, a menos que sejam continuamente supervisionadas.

O aparelho só deve ser utilizado com a unidade de alimentação fornecida.

Se o cabo de alimentação sofrer danos, deve ser substituído pelo fabricante, técnico de assistência ou pessoas com qualificações semelhantes para evitar possíveis perigos.

As instruções para aparelhos que incluem baterias destinadas a serem substituídas pelo utilizador devem incluir o seguinte:

- Tipo de bateria: bateria de íões de lítio recarregável (A17B5)
- A eliminação de uma bateria através de fogo ou num forno quente, ou por esmagamento mecânico ou corte, pode resultar numa explosão.
- **ATENÇÃO:** risco de explosão se a bateria for substituída por uma bateria de tipo incorreto. Não utilize baterias não recarregáveis!
- Uma bateria sujeita a uma pressão de ar extremamente baixa pode resultar numa explosão ou na fuga de líquido ou gás inflamável. Em condições de utilização abusiva, o líquido pode ser projetados para fora da bateria. Evite o contacto. Em caso de contacto accidental, lave com água. Se o líquido entrar em contacto com os olhos, procure ajuda médica porque pode causar irritação ou queimaduras.
- A bateria deve ser removida do aparelho antes de ser destruído.
- O aparelho deve ser desligado da fonte de alimentação principal aquando da remoção da bateria.
- Não elimine a bateria ao utilizar calor ou fogo.

Ao eliminar células ou baterias secundárias, mantenha as células ou as baterias de diferentes

sistemas eletroquímicos separadas entre si.

AVISO: para efeitos de recarregamento da bateria, utilize apenas a unidade de alimentação amovível fornecida com este aparelho.

Quando ligado à corrente contínua, o aparelho só deve receber a tensão de segurança especificada na respetiva marcação.



Unidade de alimentação amovível

Desligue a fonte de alimentação antes das operações de limpeza e manutenção.

- Adequado para acampar.
- O aparelho não deve ser exposto à chuva.
- Não armazene substâncias explosivas, como latas de aerossóis com gás inflamável, neste aparelho.
- **AVISO:** mantenha as aberturas de ventilação da caixa ou estrutura incorporada do aparelho desobstruídas.
- **AVISO:** Não utilize dispositivos mecânicos ou outros meios para acelerar o processo de descongelação, exceto os recomendados pelo fabricante.
- **AVISO:** não danifique o circuito de refrigeração.
- **AVISO:** não utilize aparelhos elétricos dentro dos compartimentos de armazenamento de alimentos do aparelho, a menos que sejam do tipo recomendado pelo fabricante.



AVISO: risco de incêndio/materiais inflamáveis.

AVISO: ao posicionar o aparelho, certifique-se de que o cabo de alimentação não fica preso nem é danificado.

AVISO: não coloque várias tomadas portáteis ou fontes de alimentação portáteis atrás do aparelho.

Para evitar a contaminação dos alimentos, leia as seguintes instruções:

- Manter a porta aberta por longos períodos pode causar um aumento significativo da temperatura nos compartimentos do aparelho.
- Limpe regularmente as superfícies que possam entrar em contacto com alimentos e sistemas de drenagem acessíveis.
- Limpe os depósitos de água se não forem utilizados durante 48 horas. Enxague o sistema de água ligado ao abastecimento de água se a água não tiver sido retirada durante 5 dias.
- Armazene carne e peixe crus em recipientes adequados no frigorífico para que não entrem em contacto com outros alimentos.
- Se o aparelho permanecer vazio durante longos períodos, desligue-o, descongele-o, limpe-o, seque-o e deixe a porta aberta para evitar o aparecimento de bolor no seu interior.



Declaração de conformidade

Este produto cumpre as normas de interferências de rádio da Comunidade Europeia. A Anker Innovations Limited declara por este meio que o tipo de equipamento de rádio A17A1 está em conformidade com a Diretiva 2014/53/UE. O texto completo da Declaração de conformidade da UE está disponível no seguinte site: <https://www.anker.com>.

Potência de saída máxima: +4 dBm (para UE)

Banda de frequência: banda 2,4 G (2,4000 GHz - 2,4835 GHz)



Declaração de conformidade da Grã-Bretanha

A Anker Innovations Limited declara por este meio que este produto está em conformidade com os Regulamentos de equipamento de rádio de 2017. O texto completo da Declaração de Conformidade da Grã-Bretanha está disponível no seguinte site: <https://www.anker.com>.

O importador seguinte é a entidade responsável para questões no âmbito da UE e do Reino Unido.

Anker Technology (UK) Ltd

GNR8, 49 Clarendon Road, Watford, Hertfordshire, WD17 1HP, United Kingdom

Anker Innovations Deutschland GmbH

Georg-Muche-Strasse 3, 80807 Munich, Germany

Bluetooth:

a marca nominativa e os logótipos Bluetooth® são marcas registadas propriedade da Bluetooth SIG, Inc. e qualquer utilização de tais marcas pela Anker Innovations Limited é realizada sob licença. Outras marcas registadas e marcas comerciais são dos respetivos proprietários.

Fabricante:

Anker Innovations Limited

Room 1318-19, Hollywood Plaza, 610 Nathan Road, Mongkok, Kowloon, Hong Kong

Este aparelho de refrigeração não se destina a ser utilizado como aparelho incorporado.



Este símbolo indica que este produto não deve ser tratado como lixo doméstico. Em alternativa, deve ser entregue no ponto de recolha aplicável para reciclagem de equipamento elétrico e eletrónico.

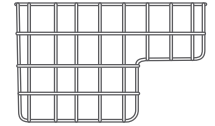
Conteúdo da embalagem



Anker EverFrost Powered Cooler 40



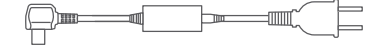
Bateria Anker para refrigerador elétrico



Carregador e cabo de carregamento



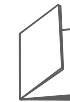
Cabo de carregamento para carro



Adaptador AC e cabo de carregamento

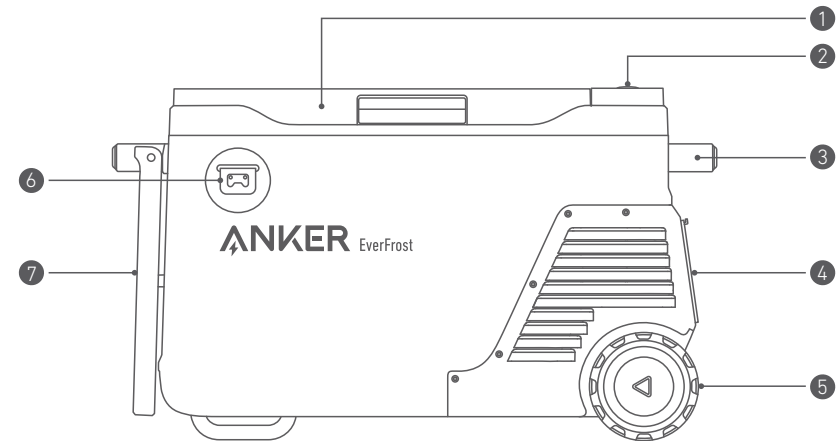


Cabo XT-60



Manual do utilizador

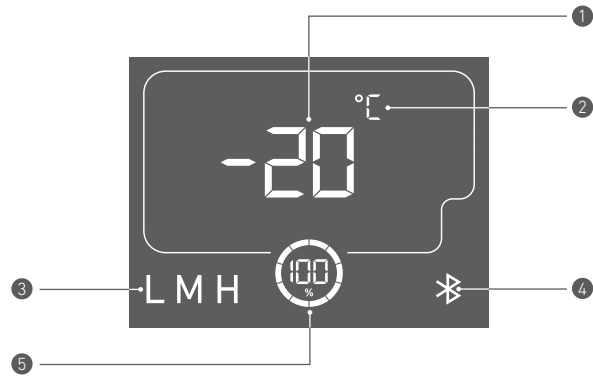
Visão geral



1 Cobertura do refrigerador	5 Rodas
2 Ecrã LCD	6 Chave de fendas
3 Pega	7 Mesa/tabuleiro
4 Tampa da bateria	

Apoe o tabuleiro e coloque o suporte por baixo do refrigerador.

Ecrã LCD

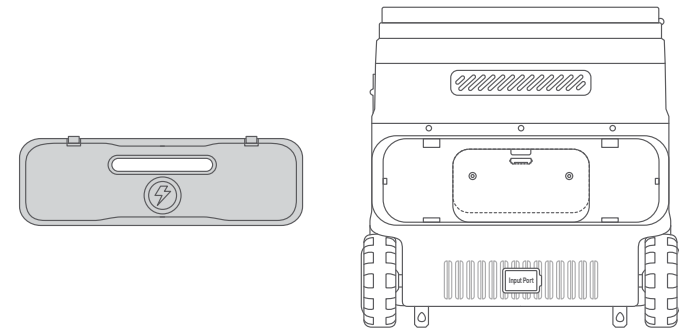


1 Temperatura	4 Bluetooth
2 Unidade de temperatura	5 Percentagem de bateria restante (se utilizar a bateria como fonte de alimentação)
3 Nível de proteção de tensão	

Fonte de alimentação do refrigerador

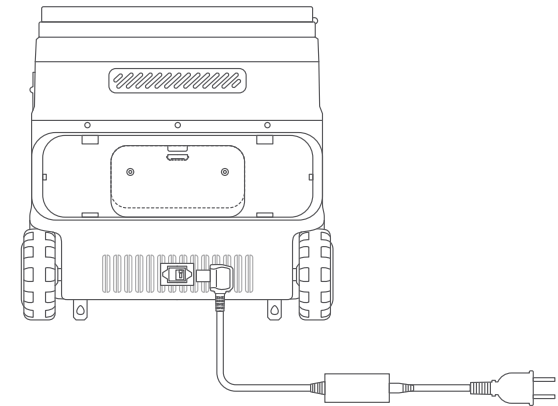
Não recomendamos a utilização de vários métodos de carregamento ao mesmo tempo.

Sem a bateria:



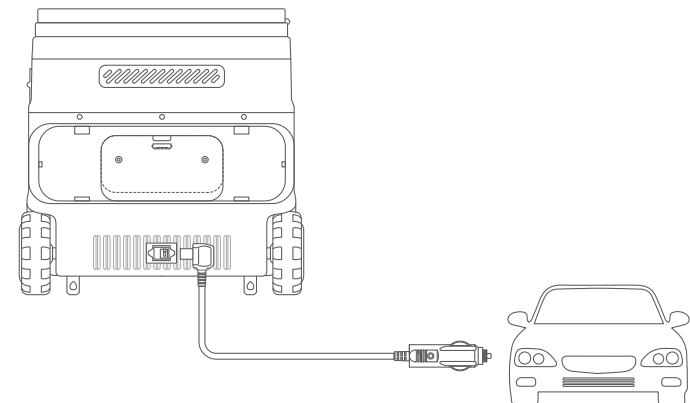
Corrente CA

Ligue o cabo de carregamento CA do refrigerador a uma tomada de parede..

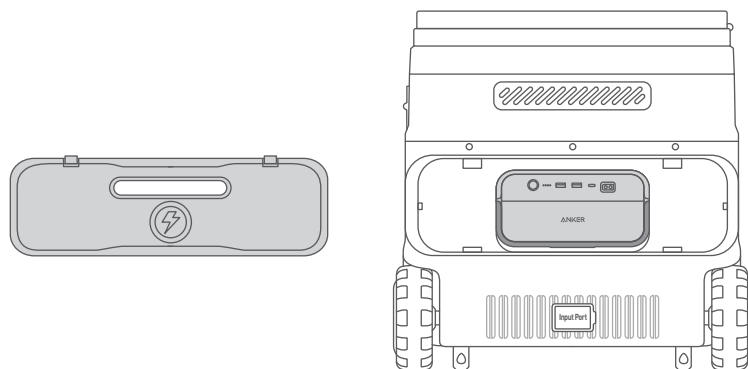


Ligado ao carro

Ligue o refrigerador à porta de saída de um carro com o cabo de carregamento para carro.

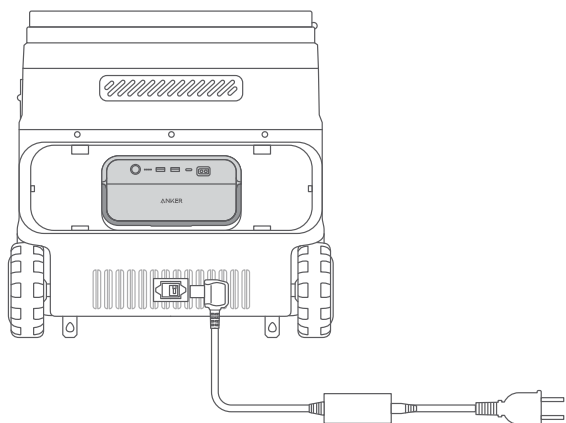


Com a bateria



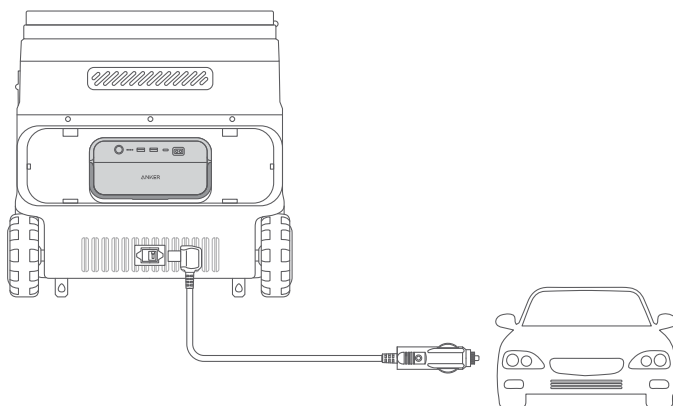
Corrente CA

Ligue o cabo de carregamento CA do refrigerador a uma tomada de parede.



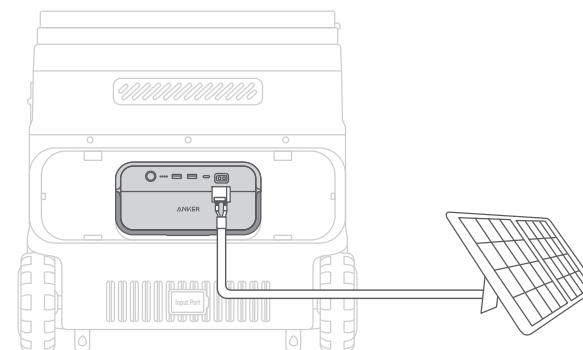
Ligado ao carro

Ligue o refrigerador à porta de saída de um carro com o cabo de carregamento para carro.



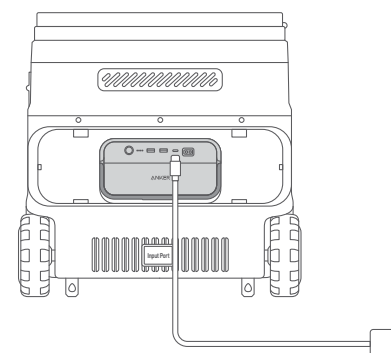
Recarregamento através do painel solar

Ligue a bateria do refrigerador a um painel solar com um cabo XT-60 a XT-60.



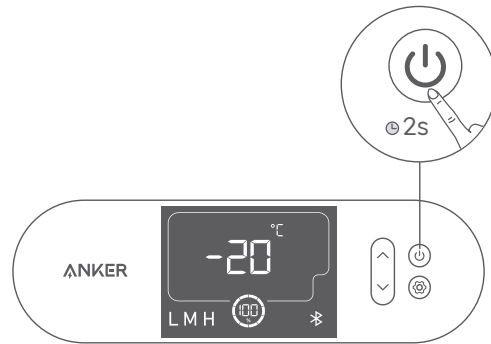
Recarregamento USB-C

Ligue a bateria do refrigerador a uma tomada de parede com o cabo USB-C.

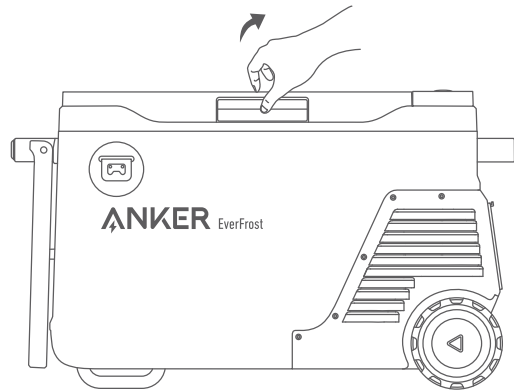


Utilizar o refrigerador

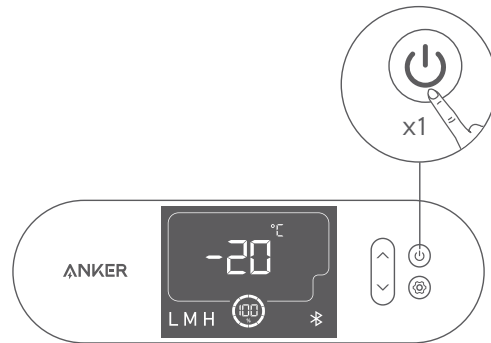
1. Prima sem soltar o botão de ligar/desligar durante dois segundos para ligar o refrigerador. O ecrã LCD acende-se.



2. Levante a tampa para abrir o refrigerador.

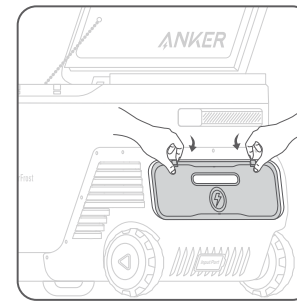


3. Prima o botão de ligar/desligar uma vez para iluminar o ecrã LCD.

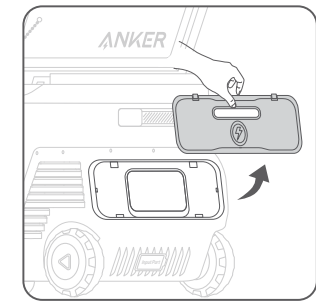


Instalar a bateria

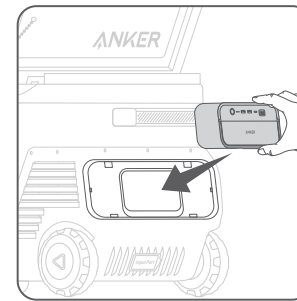
Pressione os fechos de encaixe para remover a tampa da bateria. Coloque a bateria no interior e irá ouvir um clique quando ficar posicionada corretamente. Em seguida, volte a colocar a tampa da bateria.



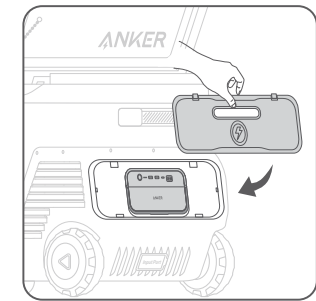
1



2



3



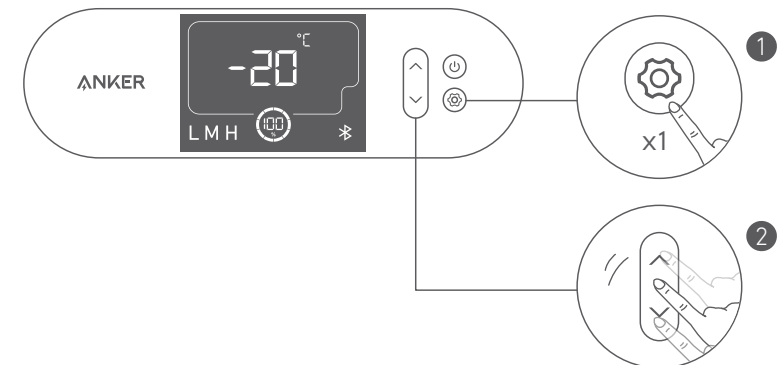
4

A tampa da bateria abre-se automaticamente quando é levantada.

Definir a temperatura

Para aceder ao modo de ajuste da temperatura, prima o botão de definições até o número da temperatura piscar.

Prima os botões para cima ou para baixo para ajustar a temperatura da zona e confirme a temperatura premindo novamente o botão de definições.

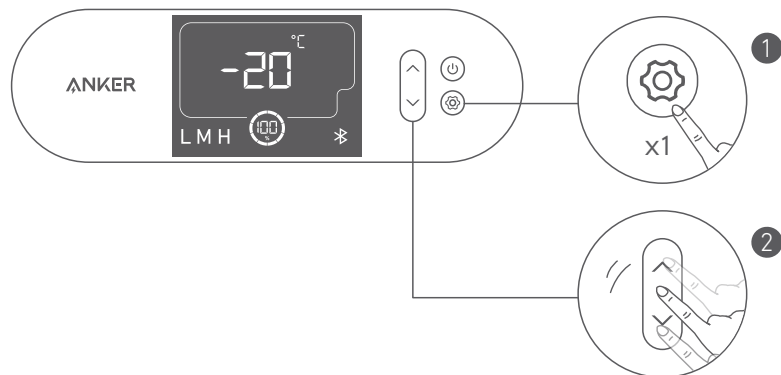


1

2

Definir a unidade da temperatura

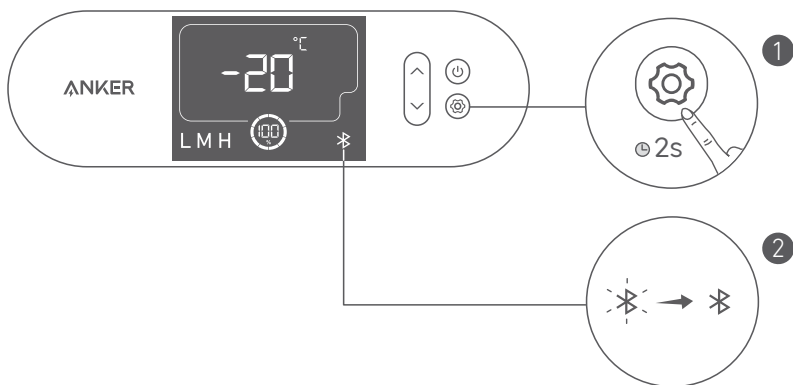
Para aceder ao modo de ajuste da temperatura, prima o botão de definições até a unidade da temperatura piscar. Prima os botões para cima ou para baixo para escolher entre "Celsius/Fahrenheit" e confirme a unidade premindo novamente o botão de definições.



Bluetooth

Prima o botão de ligar/desligar durante 2 segundos para ligar o Bluetooth. O ícone de Bluetooth no ecrã irá piscar.

Irá ligar-se automaticamente ao seu telemóvel com Bluetooth ativado e o ícone fica branco sem piscar.

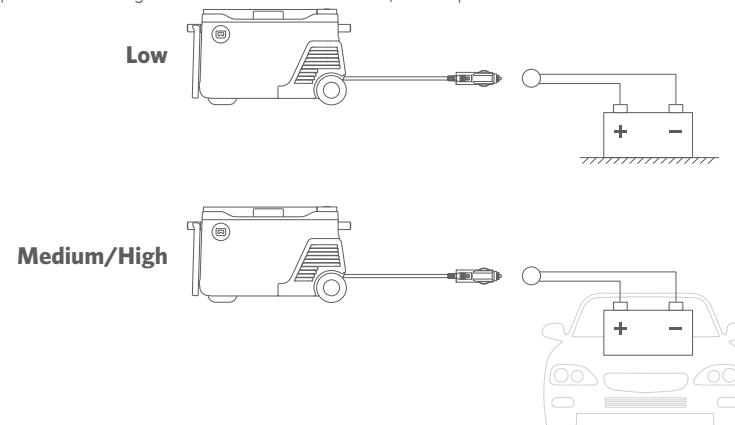


A função Bluetooth é desativada após 12 horas sem qualquer ligação.

Graus de proteção da bateria do carro

Para aceder ao modo de ajuste do nível de tensão, prima o botão de definições até o ícone de nível de tensão piscar. Prima os botões para cima ou para baixo para escolher entre "L/M/H" e confirme premindo novamente o botão de definições.

Selecione a roda dentada "M/H" quando o produto estiver ligado a um carro. Recomendamos a seleção da roda dentada "L" quando estiver ligado a uma fonte de alimentação independente.



	12 V		24 V	
	Tensão de funcionamento	Tensão de arranque	Tensão de funcionamento	Tensão de arranque
Alta	12 V	12,5 V	24,7 V	26,1 V
Média	11,4 V	12,2 V	24,3 V	25,3 V
Baixa	10,4 V	11,3 V	21,9 V	22,9 V

Quando a tensão da bateria do carro for inferior ao valor definido sem a bateria, o refrigerador deixa de funcionar. Quando a tensão da bateria do carro é inferior ao valor definido, o refrigerador muda para a bateria incorporada como fonte de alimentação. Assim que o nível de bateria do carro for reposto, muda para a bateria do carro como fonte de alimentação.

Aplicação Anker para controlo inteligente

Pode controlar remotamente o refrigerador elétrico através da aplicação Anker. Transfira a aplicação e o respetivo manual do utilizador através da leitura deste código QR.

Ligue o dispositivo a uma rede antes de utilizar a aplicação pela primeira vez. Depois de efetuar a ligação com sucesso, pode ligar os seus dispositivos fora da rede.



Especificações

Capacidade de armazenamento	43L
Capacidade da bateria	299Wh
Tensão de entrada CA	100V-240V, 50Hz/60Hz
Potência de entrada CA	95W Max
Entrada CC	5,5A(12V)/ 2,5A(24V)
Refrigerante	R1234yf (30g)
Tamanho	73,2 x 43,0 x 48,7cm
Peso líquido	21,8kg/48lb
Intervalo de temperatura do refrigerador	-20 ~ 20° C / -4~68° F
Intervalo de temperatura de funcionamento	0 - 40°C / 32 ~ 104° F

Resolução de problemas

- Lembrete para fechar portas: a campanha irá enviar um lembrete se a tampa do refrigerador permanecer aberta durante mais de 180 segundos.
- O refrigerador deixará de funcionar se o ângulo de inclinação exceder os 30 graus. Coloque-o na horizontal e irá retomar o funcionamento normal decorridos 5 minutos.

Perguntas mais frequentes

P1: Quanto tempo dura a bateria do refrigerador quando está completamente carregada?

A capacidade da bateria do refrigerador é de 299 Wh. Quando o refrigerador tem uma temperatura ambiente de 25 °C, funciona durante 35,8 horas com uma temperatura de armazenamento de 4 °C.

P2: A que temperatura ambiente o refrigerador pode ser utilizado normalmente?

A temperatura ambiente recomendada é de 0 a 40 °C.

P3: O que devo fazer quando utilizo um carregador solar para carregar o Anker EverFrost Powered Cooler?

A entrada solar suporta um carregador solar de 11 - 30 V com um conector XT-60. Recomendamos a utilização do Painel Solar Anker 100 W para obter a melhor compatibilidade.

Política de garantia do Anker EverFrost Powered Cooler

Este Anker EverFrost Powered Cooler comprado na AnkerDirect e em revendedores autorizados da Anker é fornecido com uma garantia limitada ("garantia") como especificado abaixo. Ao utilizar um Anker EverFrost Powered Cooler, aceita cumprir os termos da garantia limitada da Anker.

2 anos de garantia limitada para o Anker EverFrost Powered Cooler e 3 anos de garantia limitada para o compressor para compras efetuadas na AnkerDirect e em revendedores autorizados da Anker. O período da garantia tem início a partir da data de compra.

A garantia limitada da Anker é restrita ao país de compra. A garantia limitada é nula para artigos levados para fora do país de compra original ou enviados diretamente a partir de uma compra online autorizada.

Exclusões e limitações

Não abrangido pela garantia:

- Produtos danificados ou modificados.
- Produtos utilizados com um cabo, uma ficha ou um cabo de saída danificado.
- Produtos desmontados.
- Produtos limpos com químicos ou detergentes abrasivos.
- Problemas não relacionados com a qualidade (30 dias após a compra).
- Produtos comprados a revendedores não autorizados.
- Produtos sem prova de compra suficiente.
- Produtos que tenham sido reembolsados.
- Produtos com uma garantia expirada.
- Produtos perdidos, roubados ou gratuitos.
- Danos resultantes de causas externas.
- Reparações através de terceiros.
- Danos resultantes da má utilização dos produtos (incluindo, entre outros, utilização do produto com uma potência no nominal excessiva, exposição do produto à chuva ou neve, pressão de ar extremamente baixa e temperaturas extremas).
- Compras efetuadas através de origens ilegítimas.
- Baterias danificadas por não serem utilizadas durante um longo período ou não serem objeto de manutenção adequada de acordo com o manual do utilizador.

A Anker não é responsável por:

- Perda de dados resultantes da utilização de produtos Anker.
- Devolução de artigos pessoais enviados para a Anker.

Ao devolver artigos com uma etiqueta de envio pré-paga fornecida pela Anker, a Anker assume a responsabilidade por quaisquer danos ou perdas incorridos em trânsito. Ao devolver artigos por problemas não relacionados com a qualidade, o comprador assume a responsabilidade por quaisquer danos ou perdas incorridos em trânsito. A Anker não concede reembolsos para artigos danificados em trânsito devido a reclamações de garantia não relacionadas com a qualidade.

Reembolso e reclamações de garantia

Para obter mais detalhes, consulte www.anker.com/anker-portable-power-station-warranty-policy

Para reclamações de garantia, pode enviar um e-mail para:

Mercado dos Estados Unidos/Canadá/Reino Unido/Alemanha/Japão: support@anker.com

Mercado do Médio Oriente e África: support.mea@anker.com

Mercado da China: CED-CN@anker.com

Ou pode telefonar-nos para:

USA/CA: +1 (800) 988 7973

DE: +49(0)69 9579 7960

Emirati Arabi Uniti: +971 8000 320 817

Kuwait: +965 2206 9086

AU: +61 3 8331 4800

RU: +8(800)511 8623

KR: +82 0216 7070 98

Médio Oriente e África: +971 4242 8633

Regno Unito: +44(0)1604 936 200

JP: +81 03 4455 7823

KSA: +966 8008 500 030

Egitto: +20 8000 000 826

TR: +90(850)460 1414

CN: +86 400 0550 036

IN: +91 1800 3138 831

Prova de compra válida

Consulte: <https://us.anker.com/policies/refund-policy>

Os custos de envio devem ser assumidos pelo Comprador nas seguintes situações

Consulte: <https://us.anker.com/policies/refund-policy>

Esta página está anexada à página da garantia da Anker e a Anker reserva-se o direito de interpretação final do conteúdo.

Registe o seu Anker EverFrost hoje mesmo

Por que razão deve efetuar o registo?

1. Garantia sem complicações: confirme os 2 anos de garantia limitada para o seu Anker EverFrost Powered Cooler e os 3 anos de garantia limitada para o compressor.
2. Serviço de apoio ao cliente rápido: beneficie de apoio ao cliente exclusivo e obtenha rapidamente o que precisa.
3. Receba as notícias mais recentes: saiba em primeira mão o que os novos produtos têm para oferecer e receba informações atualizadas instantâneas sobre eventos oficiais.



- Leia o código QR abaixo para aceder à página self-service inteligente para obter mais informações sobre o Anker EverFrost.



تنبيه



غير مسموح به على متن الطائرات.

تعليمات مهمة للسلامة

GWP: R1234yf: 4

إن هذا الجهاز غير مخصص للاستخدام من قبل الأشخاص (بما في ذلك الأطفال) ذوي القدرات البدنية أو الحسية أو الذهنية المحدودة أو الذين تنقصهم الخبرة والمعرفة ما لم يتم الإشراف عليهم أو إرشادهم بخصوص استخدام هذا الجهاز بطريقة آمنة وفهمهم للمخاطر التي قد تتجم عنه.

ينبغي الإشراف على الأطفال لضمان عدم عبثهم بالجهاز.

يستطيع الأطفال بعمر 8 سنوات فأكثر والأشخاص ذوو القدرات البدنية أو الحسية أو الذهنية المحدودة أو الذين تنقصهم الخبرة والمعرفة استخدام الجهاز بشرط الإشراف عليهم أو إرشادهم بخصوص استخدام هذا الجهاز بطريقة آمنة وفهمهم للمخاطر التي قد تتجم عنه. تتطلب قيام الأطفال بأعمال التنظيف والصيانة إشراف شخص راشد.

يستطيع الأطفال الذين تتراوح أعمارهم بين 3 و8 سنوات بتحميل وتفريغ أجهزة التبريد.

يستطيع الأطفال بعمر 3 سنوات فأكثر والأشخاص ذوو القدرات البدنية أو الحسية أو الذهنية المحدودة أو الذين تنقصهم الخبرة والمعرفة استخدام أجهزة التبريد بشرط الإشراف عليهم أو إرشادهم بخصوص استخدام هذا الجهاز بطريقة آمنة وفهمهم للمخاطر التي قد تتجم عنه.

يجب إبعاد الأطفال الذين تقل أعمارهم عن 3 سنوات ما لم يتم توفير الإشراف المستمر عليهم.

يتم استخدام الجهاز فقط مع وحدة الإمداد بالطاقة المرفقة معه.

في حالة تلف سلك الطاقة، يجب استبداله من قبل الشركة المصنعة أو وكيل الخدمة التابع لها أو الأشخاص المؤهلين بشكل مشابه لتجنب أي مخاطر.

يجب أن تتضمن التعليمات الخاصة بالأجهزة التي تشتمل على بطاريات التي من المقرر أن يستبدلها المستخدم بنفسه ما يلي:

- نوع البطارية: بطارية ليثيوم أيون قابلة لإعادة الشحن (A17B5)
- قد يؤدي التخلص من البطارية في النار أو في فرن ساخن، أو سحقها أو قطعها بطرق ميكانيكية إلى حدوث انفجار.
- تنبيه: إذا تم استبدال البطارية بنوع غير صحيح فهناك خطر حدوث انفجار. لا تستخدم بطاريات غير قابلة لإعادة الشحن!
- قد يؤدي تعرض البطارية لضغط هواء منخفض للغاية إلى حدوث انفجار أو تسرب سائل أو غاز قابل للاشتعال. في ظل ظروف سيئة، قد يخرج سائل من البطارية—فبتجنب ملامسته. في حالة حدوث تلامس عرضي، اشطفه بالمياه. في حالة دخول السائل في عينيك، فسارع في طلب المساعدة الطبية لأنه قد يسبب تهيجًا أو حروقًا.
- يجب إزالة البطارية من الجهاز قبل التخلص منها.
- يجب فصل هذا الجهاز من مصدر الطاقة الرئيسي عند إزالة البطارية.
- لا تتخلص من البطارية بإلقائها في الحرارة أو النار.
- عند التخلص من الخلايا الثانوية أو البطاريات، احتفظ بالخلايا أو البطاريات التي لها أنظمة كهروكيميائية مختلفة بشكل منفصل عن بعضها.
- تحذير: لأغراض إعادة شحن البطارية، لا تستخدم سوى وحدة إمداد الطاقة القابلة للفك المرفقة مع هذا الجهاز.
- عند التوصيل بدخل التيار المستمر، يجب أن يتم إمداد الجهاز فقط بجهد الأمان المحدد بواسطة العلامة الموجودة على الجهاز.



وحدة إمداد الطاقة القابلة للفك

افصل التيار الكهربائي قبل التنظيف والصيانة

• مناسب للتخميم.

• يجب حماية الجهاز من التعرض للمطر.

لا تخزن المواد القابلة للانفجار مثل علب الأيروسول التي تحتوي على مادة دافعة قابلة للاشتعال داخل هذا الجهاز.

• تحذير: يجب التأكد من خلو فتحات التهوية في حاوية الجهاز أو في الهيكل المدمج من العوائق والحرص على عدم انسدادها.

• تحذير: لا تستخدم الأجهزة الميكانيكية أو غيرها من الوسائل لتسريع عملية إزالة الجليد، بخلاف تلك الموصى بها من قبل الشركة المصنعة.

• تحذير: احرص على عدم تعرض دائرة التبريد للتلوث.

• تحذير: لا تستخدم الأجهزة الكهربائية داخل حجيرات تخزين الطعام بالجهاز إلا التي أوصت بها الشركة المصنعة.



تحذير: خطر نشوب حريق/مواد قابلة للاشتعال.

تحذير: عند وضع الجهاز، تأكد أن سلك الطاقة غير محاصر أو تالف.

تحذير: لا تضع العديد من المقابس المحمولة أو مصادر طاقة محمولة في الجزء الخلفي من الجهاز.

لتجنب تلوث الطعام يرجى قراءة التعليمات التالية:

• قد يؤدي فتح الباب لفترات طويلة إلى ارتفاع درجة حرارة حجيرات الجهاز بدرجة كبيرة.

• نظف بانتظام الأسطح التي يمكن أن تلامس الطعام وأنظمة الصرف التي يمكن الوصول إليها.

• نظف خزانات المياه في حالة عدم استخدامها لمدة 48 ساعة. اغسل نظام المياه المتصل بإمدادات المياه، في حالة عدم سحب المياه لمدة 5 أيام.

• خزن اللحوم والأسماك النيئة في أوعية مناسبة في الثلاجة، حتى لا تتلامس مع الأطعمة الأخرى.

• في حالة ترك الجهاز فارغاً لفترات طويلة، قم بإيقاف تشغيله، وإذابة الجليد ونظفه وجففه وارك الباب مفتوحاً لمنع تكوّن العفن داخل الجهاز.



إعلان المطابقة

يتوافق هذا المنتج مع متطلبات التداخل اللاسلكي في الاتحاد الأوروبي. تعلن شركة Anker Innovations Limited بموجب هذا المستند أن جهاز اللاسلكي من نوع A17A1 متوافق مع توجيه EU/2014/53. النص الكامل لإعلان المطابقة للاتحاد الأوروبي متاح على الموقع التالي على الإنترنت: <https://www.anker.com>.

طاقة الخرج القصوى: +4 ديسيبل ميلي واط (في الاتحاد الأوروبي)

نطاق التردد: نطاق 2,4 جيجا (2,4000 جيجاهرتز - 2,4835 جيجاهرتز)



إعلان المطابقة في بريطانيا

بموجب هذا، تعلن شركة Anker Innovations Limited أن المنتج يتوافق مع لوائح المعدات اللاسلكية لعام 2017. يتوفر النص الكامل لإعلان المطابقة في بريطانيا على الموقع الإلكتروني التالي:

<https://www.anker.com>

المستورد التالي هو الطرف المسؤول عن شؤون الاتحاد الأوروبي والمملكة المتحدة.

Anker Technology (UK) Ltd

GNR8, 49 Clarendon Road, Watford, Hertfordshire, WD17 1HP, United Kingdom

Anker Innovations Deutschland GmbH

Georg-Muche-Strasse 3, 80807 Munich, Germany

:Bluetooth

تُعد علامة Bluetooth® وشعاراتها علامات تجارية مسجلة لمملكة لشركة Bluetooth SIG, Inc. وأي استخدام لهذه العلامات من قبل Anker Innovations Limited يتم بموجب ترخيص. العلامات التجارية والأسماء التجارية الأخرى هي ملك لأصحابها المعنيين.

الشركة المصنعة:

Anker Innovations Limited

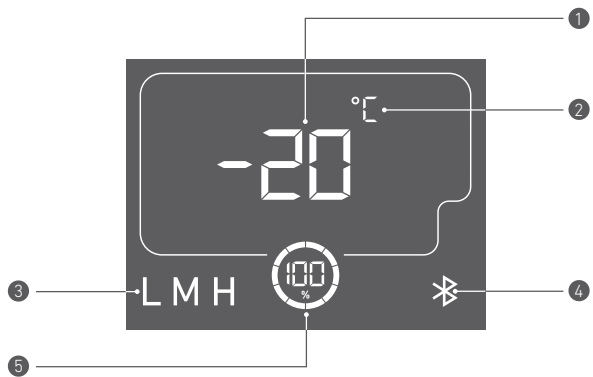
Room 1318-19, Hollywood Plaza, 610 Nathan Road, Mongkok, Kowloon, Hong Kong

جهاز التبريد هذا غير مخصص للاستخدام كجهاز مدمج.



يشير هذا الرمز إلى أنه لا يجب التعامل مع هذا المنتج على أنه نفايات منزلية. وبدلاً من ذلك، يجب تسليمه إلى نقطة التجميع المناسبة لإعادة تدوير المعدات الكهربائية والإلكترونية.

شاشة LCD



Bluetooth 4	1 درجة الحرارة
5 البطارية المتبقية بالنسبة المنوية (في حالة استخدام البطارية للتشغيل)	2 وحدة درجة الحرارة
	3 مستوى الحماية من الجهد

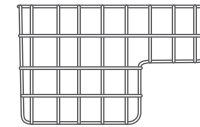
ماذا يوجد في العبوة



Anker EverFrost Powered Cooler 40



بطارية Anker لمبرد يعمل بالطاقة



شاحن وكابل شحن



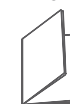
كابل شحن للسيارة



محول التيار المتردد وكابل الشحن

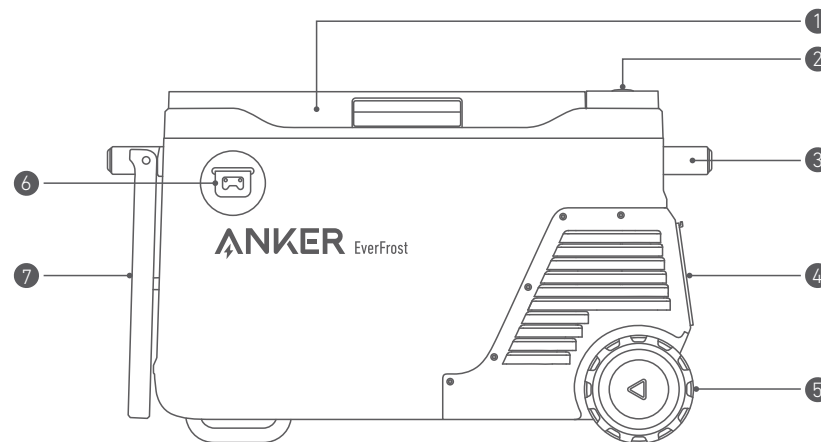


كابل XT-60



دليل المستخدم

نظرة عامة

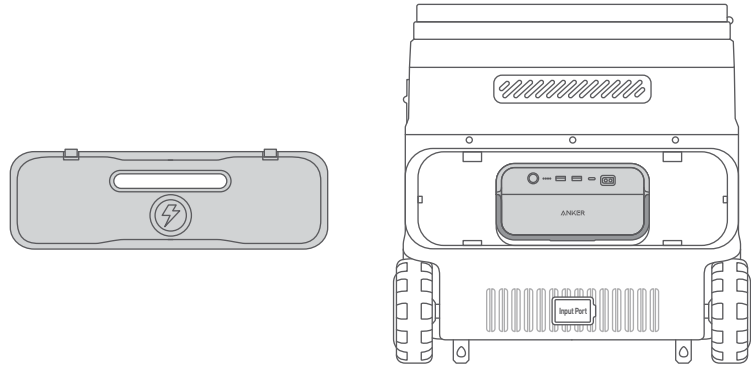


5 العجلات	1 غطاء المبرد
6 مفك البراغي	2 شاشة LCD
7 طاولة صينية	3 مقبض
	4 غطاء البطارية

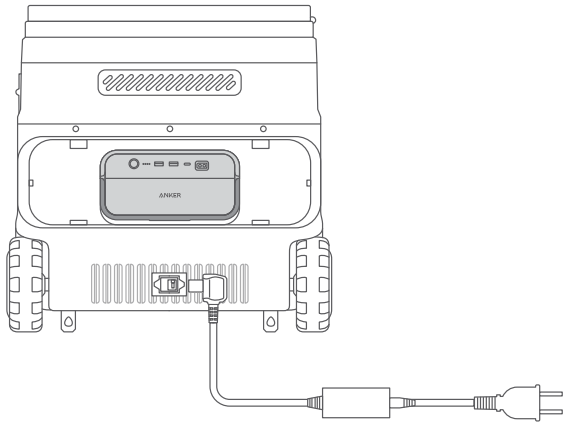
ادعم الصينية عن طريق تثبيت المسند أسفل المبرد.



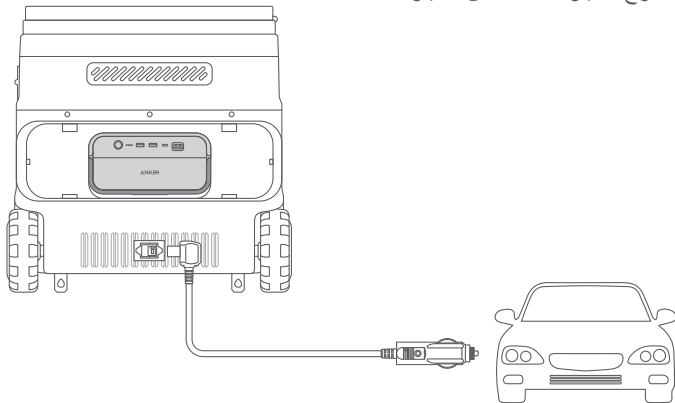
طاقة التيار المتردد



طاقة التيار المتردد
شغل المبرد عن طريق توصيله بمقبس الحائط باستخدام كابل شحن التيار المتردد.



التشغيل عبر السيارة
وصل المبرد بمنفذ خرج السيارة بكابل شحن السيارة.

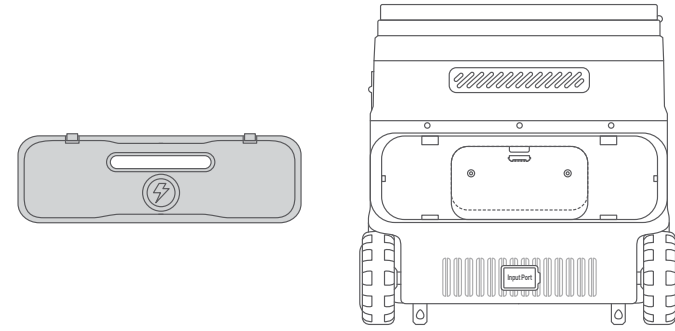


إعادة الشحن عن طريق الألواح الشمسية

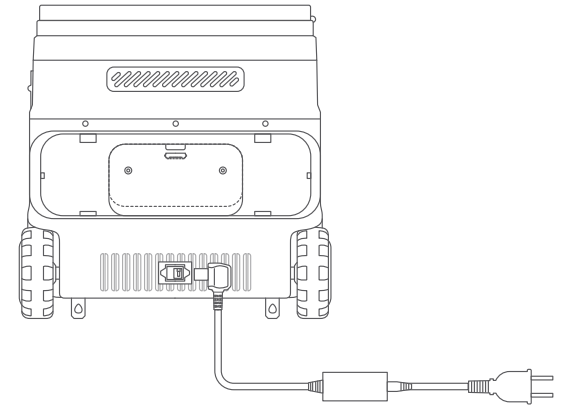
تشغيل المبرد الخاص بك

لا نوصي باستخدام طرق شحن متعددة في نفس الوقت.

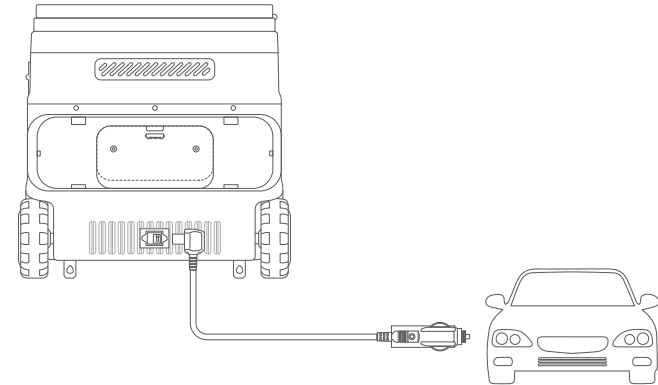
بدون البطارية:



طاقة التيار المتردد
شغل المبرد عن طريق توصيله بمقبس الحائط باستخدام كابل شحن التيار المتردد.

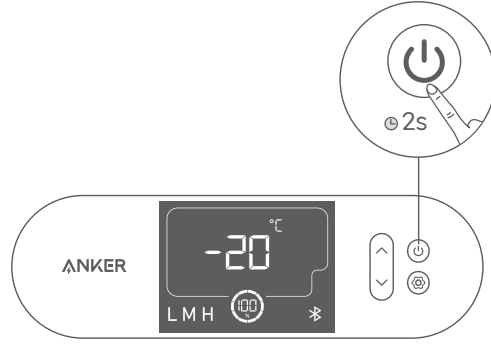


التشغيل عبر السيارة
وصل المبرد بمنفذ خرج السيارة بكابل شحن السيارة.

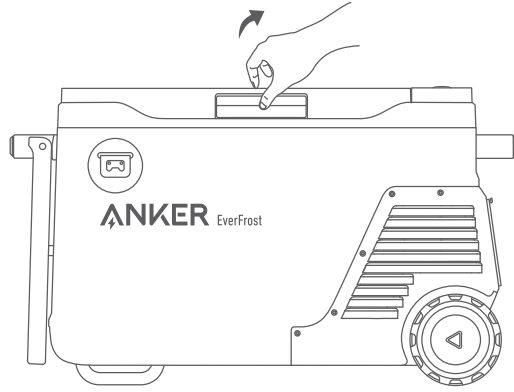


استخدام المبرد الخاص بك

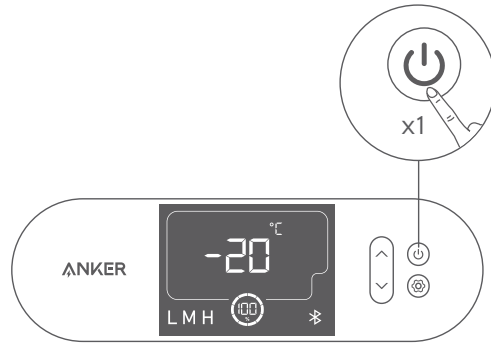
1. اضغط على زر الطاقة لمدة ثانيتين لتشغيل المبرد. ستضيء شاشة LCD.



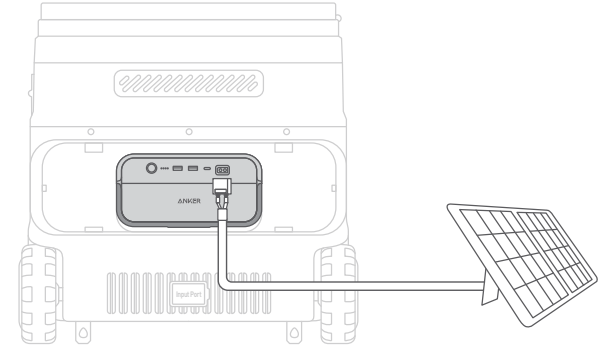
2. ادفع الغطاء لأعلى لفتح المبرد.



3. اضغط على زر الطاقة لمرة واحدة لإضاءة شاشة LCD.

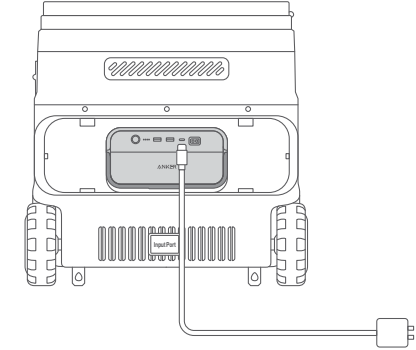


شغل المبرد عن طريق توصيل البطارية بلوحة شمسية باستخدام كابل XT-60 إلى XT-60.



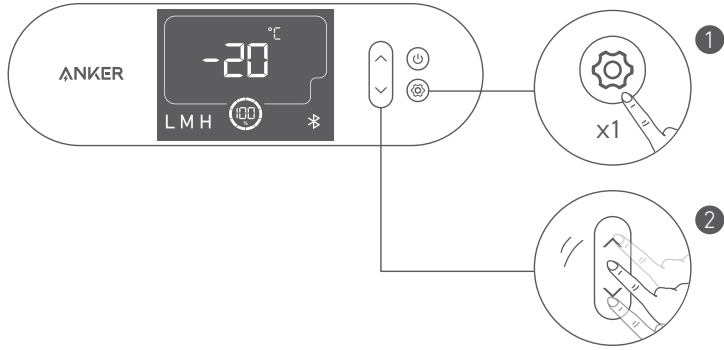
إعادة الشحن عبر USB-C

شغل المبرد عن طريق توصيل البطارية بمقبس الحائط باستخدام كابل USB-C.

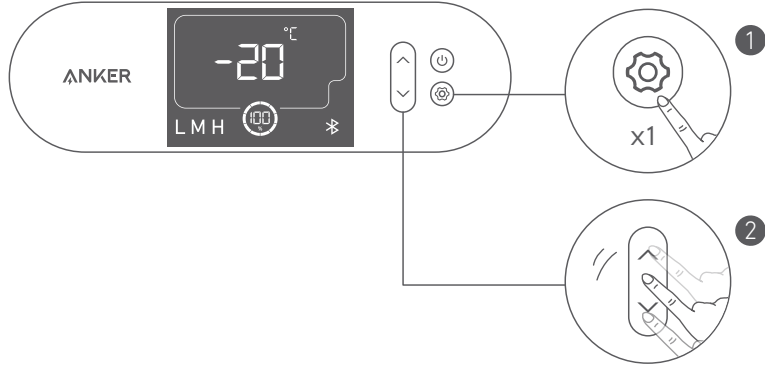


ضبط درجة الحرارة

للدخول إلى وضع ضبط درجة الحرارة، اضغط على زر الإعدادات حتى يومض رقم درجة الحرارة. اضغط على الزر لأعلى أو لأسفل لضبط درجة حرارة النطاق، وأكد درجة الحرارة بالضغط على زر الإعدادات مرة أخرى.

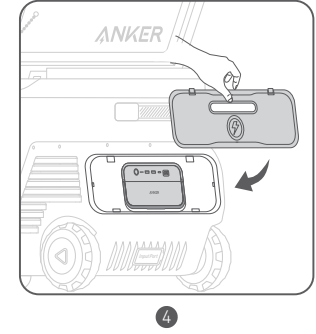
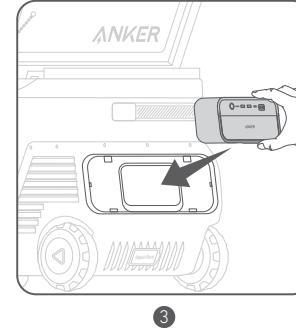
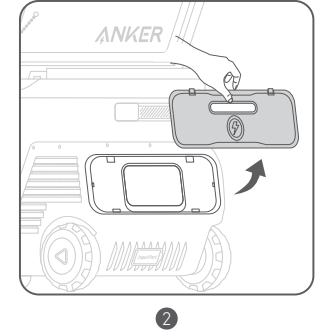
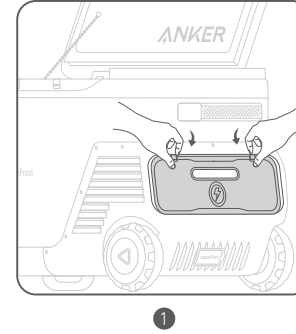


للدخول إلى وضع ضبط درجة الحرارة، اضغط على زر الإعدادات حتى يومض رمز وحدة درجة الحرارة. اضغط على الزر "الأعلى" أو "الأسفل" للاختيار بين "درجة مئوية/درجة فهرنهايت"، ولتأكيد الاختيار بالضغط على زر الإعدادات مرة أخرى.



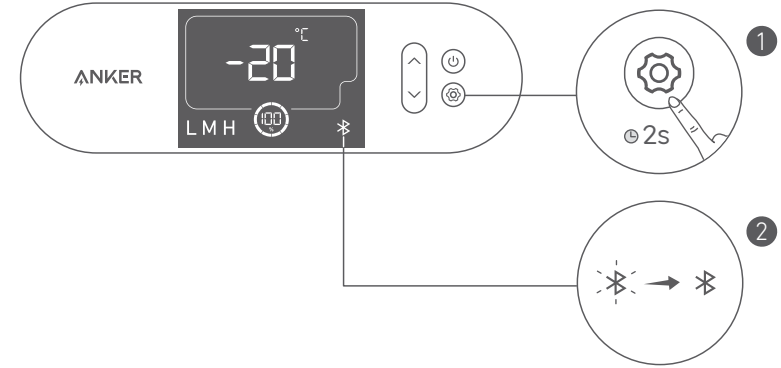
تركيب البطارية

اضغط على أداة الإطباق لإزالة غطاء البطارية. ضع البطارية بالداخل وستسمع نقرة عند نجاح التثبيت. بعد ذلك قم بتغطية البطارية باستخدام الغطاء.



سيفتح غطاء البطارية تلقائيًا عند رفعه. 💡

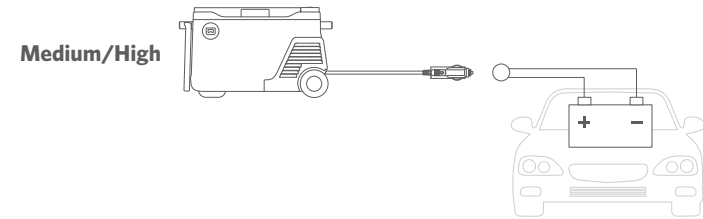
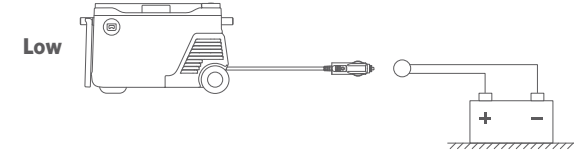
اضغط على زر الإعدادات لمدة ثابنتين لتشغيل Bluetooth. سيُومض رمز الـ Bluetooth على الشاشة. سيتم توصيله تلقائيًا بهاتفك مع تشغيل Bluetooth، وسيضيء الرمز باللون الأبيض الثابت.



سيُتوقف تشغيل وظيفة Bluetooth بعد مرور 12 ساعة دون اتصال.

درجات حماية بطارية السيارة

للدخول إلى وضع ضبط مستوى الجهد، اضغط على زر الإعدادات حتى تومض أيقونة مستوى الجهد. اضغط على الزر "لأعلى" أو "لأسفل" للاختيار بين "منخفض/متوسط/عالٍ"، وأكد ذلك بالضغط على زر الإعدادات مرة أخرى. حدد ترس "متوسط/عالٍ" عندما يتم تشغيل المنتج عبر سيارة. يوصى بتحديد ترس "منخفض" عند تشغيله بواسطة مصدر طاقة مستقل.



24 فولت		12 فولت		
جهد بدء التشغيل	جهد التشغيل	جهد بدء التشغيل	جهد التشغيل	
26.1 فولت	24.7 فولت	12.5 فولت	12 فولت	مرتفع
25.3 فولت	24.3 فولت	12.2 فولت	11.4 فولت	متوسط
22.9 فولت	21.9 فولت	11.3 فولت	10.4 فولت	منخفض

تطبيق Anker للتحكم الذكي

يمكنك التحكم عن بعد في المبرد الذي يعمل بالطاقة باستخدام تطبيق Anker. يرجى تنزيل التطبيق ودليل المستخدم للتطبيق عن طريق مسح رمز الاستجابة السريعة هذا باستخدام كاميرا الهاتف. وصل الجهاز بشبكة قبل استخدام التطبيق لأول مرة. بعد الاتصال بنجاح، يمكنك توصيل أجهزتك خارج الشبكة.



المواصفات

سعة التخزين	43 لتر
السعة	299 واط/ساعة
جهد دخل التيار المتردد	100V-240V, 50Hz/60Hz
طاقة دخل التيار المتردد	95 واط كحد أقصى
دخل التيار المستمر	(5.5A(12V)/ 2.5A(24V)
التبريد	R1234fy (40 جرام)
الحجم	73.2 x 43.0 x 48.7cm
الوزن الصافي	21.8kg/48lb
نطاق درجة الحرارة في الثلاجة	من -4 درجات فهرنهايت حتى 68 درجة فهرنهايت / من -20 درجة مئوية حتى 20 درجة مئوية
درجة حرارة التشغيل	من 32 درجات فهرنهايت حتى 104 درجة فهرنهايت / من 0 درجة مئوية حتى 40 درجة مئوية

استكشاف الأخطاء وإصلاحها

- تذكير بإغلاق الأبواب: سوف يرسل الجرس تذكيرًا إذا لم يتم إغلاق غطاء المبرد لمدة أكثر من 180 ثانية.

- سيتوقف المبرد عن العمل إذا تجاوزت زاوية الميل 30 درجة. اضبط وضعه بشكل أفقي، وسيستأنف التشغيل العادي في غضون 5 دقائق.

الأسئلة الشائعة

س 1: ما المدة التي تدومها بطارية المبرد عندما تكون مشحونة بالكامل؟

سعة بطارية المبرد 299 واط/ساعة. عندما تكون درجة الحرارة المحيطة للمبرد 25 درجة مئوية (77 درجة فهرنهايت)، سوف يعمل لمدة 35.8 ساعة بدرجة حرارة تخزين 4 درجات مئوية (39.2 درجة فهرنهايت).

س 2: ما درجة الحرارة المحيطة المطلوبة لاستخدام المبرد فيها بشكل طبيعي؟

- درجة الحرارة المحيطة الموصى بها هي من 32 درجة فهرنهايت إلى 104 درجة فهرنهايت (من 0 إلى 40 درجة مئوية).

س 3: ما الذي يجب عليّ مراعاته عند استخدام شاحن الطاقة الشمسية لشحن Anker EverFrost Powered Cooler؟

يُدمج دخل الطاقة الشمسية شاحن للطاقة الشمسية بجهد من 11 إلى 30 فولت مع موصل XT-60. نوصي باستخدام لوحة شمسية Anker بقوة 100 واط للحصول على أفضل توافق.

سياسة الضمان Anker EverFrost Powered Cooler

هذا المبرد Anker EverFrost Powered Cooler الذي يتم شراؤه من الموزعين المعتمدين من AnkerDirect وAnker تأتي بضمان محدود (يُشار إليه فيما بعد بكلمة "الضمان") على النحو المبين أدناه. باستخدام المبرد Anker EverFrost Powered Cooler، فإنك توافق على الالتزام بشروط ضمان Anker المحدود.

نقدم ضماناً محدوداً لمدة عامين للمبرد Anker EverFrost Powered Cooler وضماناً محدوداً لمدة 3 سنوات للمُكثِّف لمشتريات التي تتم عبر الموزعين المعتمدين من AnkerDirect وAnker. تبدأ فترة الضمان من تاريخ الشراء.

يقتصر ضمان Anker المحدود على بلد الشراء. يعتبر الضمان المحدود باطلاً على العناصر التي تم أخذها خارج البلد والتي تم شراؤها أو شحنها مباشرة من عملية شراء عبر الإنترنت مصرح بها.

الاستثناءات والقيود

لا يغطي الضمان ما يلي:

- المنتجات التالفة أو المعدلة.
- المنتجات التي استُخدم سلك أو قابس أو كابل خرج تالف لتشغيلها.
- المنتجات المفككة.
- المنتجات التي استُخدم المواد الكيميائية أو المنظفات الصارئة في تنظيفها.
- المشكلات غير المتعلقة بالجودة (بعد 30 يوماً من الشراء).
- المنتجات المشتراة من الموزعين غير المعتمدين.
- المنتجات التي بدون إثبات شراء.
- المنتجات التي تم استرداد قيمتها.
- المنتجات التي انتهت مدة ضمانها.
- المنتجات المفقودة أو المسروقة أو المجانية.
- الضرر الناتج عن مصادر خارجية.
- إذا تم الاستعانة بجهات خارجية لتنفيذ أي إصلاحات.
- الضرر الناتج عن سوء استخدام المنتجات (بما في ذلك، على سبيل المثال لا الحصر، السقوط، واستخدام المنتج بما يزيد عن معدل إنتاجه، وتعرض المنتج للمطر أو الثلج، وضغط الهواء المنخفض للغاية، ودرجات الحرارة المرتفعة عن الحد).
- المشتريات من مصادر غير مشروعة.
- البطاريات التي تتعرض للتلف بسبب عدم استخدامها لفترة طويلة أو عدم صيانتها بشكل صحيح وفقاً لدليل المستخدم.

لن تتحمل Anker أي مسؤولية في الحالات الآتية:

- فقدان البيانات الناتجة عن استخدام منتجات Anker.
- إرجاع الأغراض الشخصية المرسله إلى Anker.

عند إرجاع المنتجات التي تحمل ملصق الشحن المدفوع مسبقاً المقدم من Anker، تتحمل Anker المسؤولية عن أي ضرر أو خسارة يتم تكبدها أثناء النقل. عند إرجاع العناصر لمشكلات غير الجودة، يتحمل المشتري المسؤولية عن أي ضرر أو خسارة يتم تكبدها أثناء النقل. لا تقدم Anker استرداد الأموال للمنتجات التالفة أثناء النقل، لأنها ستكون مطالبات ضمان غير متعلقة بالجودة.

مطالبات استرداد الأموال والضمان

لمزيد من التفاصيل يرجى الرجوع إلى www.anker.com/anker-portable-power-station-warranty-policy

بالنسبة لمطالبات الضمان، يمكنك إرسال بريد إلكتروني إلى:

سوق الولايات المتحدة/كندا/المملكة المتحدة/ألمانيا/اليابان: support@anker.com

سوق الشرق الأوسط وأفريقيا: support.me@anker.com

سوق الصين: CED-CN@anker.com

أو يمكنك الاتصال بنا على:

الولايات المتحدة/كندا: +1 (800) 988 7973 المملكة المتحدة: +44(0)1604 936 200

ألمانيا: +49(0)69 9579 7960 اليابان: +81 03 4455 7823

الإمارات العربية المتحدة: +971 8000 320 817 السعودية: +966 030 500 8008

الكويت: +965 2206 9086 مصر: +20 826 000 8000

أستراليا: +61 3 8331 4800 تركيا: +90(850)460 1414

روسيا: +8(800)511 8623 الصين: +86 400 0550 036

كوريا: +82 0216 7070 98 الهند: +91 831 3138 1800

الشرق الأوسط وأفريقيا: +971 4242 8633

إثبات شراء ساري المفعول

يرجى الرجوع إلى: <https://us.anker.com/policies/refund-policy>

يجب أن يتحمل المشتري تكاليف الشحن في الحالات التالية

يرجى الرجوع إلى: <https://us.anker.com/policies/refund-policy>

هذه الصفحة مرفقة بصفحة ضمان Anker، وتحفظ Anker بالحق في التفسير النهائي للمحتوى.

لماذا يجب عليك التسجيل؟

1. ضمان خالٍ من المتاعب: قم بتأكيد الضمان المخصص لـ Anker EverFrost Powered Cooler المحدود لمدة عامين والضممان المحدود لمدة 3 سنوات للمُكْتَف.
2. خدمة عملاء سريعة: استمتع بخدمة عملاء حصرية واحصل على ما يلزمك بسرعة.
3. تلقي آخر الأخبار: كن أول من يعرف الأخبار الحصرية عن المنتجات الجديدة والتحديثات الفورية للأحداث الرسمية.



امسح رمز الاستجابة السريعة أدناه باستخدام كاميرا الهاتف لدخول صفحة الخدمة الذاتية الذكية للحصول على المزيد من المعلومات حول Anker EverFrost الخاص بك.



הערה חשובה



השימוש אסור בכלי טיס.

הוראות בטיחות חשובות

GWP: R1234yf: 4

אין לאפשר לאנשים (כולל ילדים) בעלי מוגבלויות פיזיות, חושיות או מנטליות או חסרי ניסיון וידע להשתמש במכשיר זה ללא השגחה או הדרכה מתאימה בנוגע לשימוש בטוח מטעם האחראי על ביטוחתם.

יש לפקח על ילדים שמשתמשים במכשיר כדי לוודא שאינם משחקים אתו.

ילדים מגיל 8 ומעלה, אנשים בעלי מוגבלויות פיזיות, חושיות או מנטליות או חסרי ניסיון וידע יכולים להשתמש במכשיר – כל עוד משגיחים עליהם, מדריכים אותם כיצד להשתמש במכשיר בבטחה וכל עוד הם מבינים את הסכנות הכרוכות בשימוש בו. אסור לילדים לבצע פעולות ניקוי ותחזוקה ללא השגחה.

ילדים בגילאי 3 עד 8 רשאים לטעון ולפרוק מכשירי קירור.

ילדים מגיל 3 ומעלה, אנשים בעלי מוגבלויות פיזיות, חושיות או מנטליות או חסרי ניסיון וידע יכולים להשתמש במכשירי הקירור – כל עוד משגיחים עליהם, מדריכים אותם כיצד להשתמש במכשיר בבטחה וכל עוד הם מבינים את הסכנות הכרוכות בשימוש בו.

יש להרחיק ילדים מתחת לגיל 3, אלא אם הם נמצאים בפקוח.

ניתן להשתמש במכשיר אך ורק עם יחידת ספק הכוח המצורפת.

אם נגרם נזק לכבל החשמל, יש להחליפו אצל היצרן, סוכן השירות או אנשי מקצוע מוסמכים על מנת למנוע סכנה.

הוראות עבור מכשירים הכוללים סוללות המיועדות להחלפה על-ידי המשתמש יכללו את הפרטים הבאים:

- סוג הסוללה: סוללת ליתיום-יון נטענת (A17B5)

- השלכה של סוללה לאש או לתנור חם, ריסוק מכני של סוללה או חיתוך של סוללה, עלולים לגרום להתפוצצות.

- זהירות: סכנת התפוצצות אם מחליפים את הסוללה בסוג שגוי. אין להשתמש בסוללות שאינן נטענות!

- חשיפה של סוללה ללחץ אוויר נמוך במיוחד עלולה לגרום להתפוצצות או לדליפה של נוזל או גז דליק. בנסיבות שבהן נזק למכשיר, נוזל עלול לדלוף מהסוללה – יש להימנע ממגע בו. אם במקרה באים במגע עם הנוזל, יש לשטוף את האזור במים. אם הנוזל בא במגע עם העיניים, יש לפנות לקבלת טיפול רפואי מכיוון שהדבר עלול לגרום לגירויים או לכוויות.

- יש להוציא את הסוללה מהמכשיר לפני השלכתו.

- יש לנתק את המכשיר מהחשמל בעת הוצאת הסוללה.

- אין להשליך את המוצר לאש או למקום חם.

כאשר משליכים סוללות או תאים משניים, יש לשמור אותם במערכות אלקטרו-כימיות נפרדות זה מזה.

אזהרה: למטרות טעינה מחדש של הסוללה, יש להשתמש אך ורק ביחידת ספק הכוח הנתיקה המצורפת למכשיר.

כאשר המכשיר מחובר למתח DC, יש לספק למכשיר רק את מתח הבטיחות המצוין על סימון המכשיר.



- יחידת ספק כוח נתיקה
- יש לנתק את אספקת החשמל לפני ביצוע פעולות ניקוי ותחזוקה.
- מתאים לקמפינג.
- אין לחשוף את המכשיר לגשם.
- אין לאחסן חומרים נפיצים כגון פחיות אירוסול עם חומר דליק במכשיר זה.

- אזהרה: יש לשמור על פתחי אוורור פתוחים או סביב המכשיר או במתחם בו הוא נמצא.
- אזהרה: אין להשתמש במכשירים מכניים או באמצעים אחרים כדי להאיץ את תהליך ההפשרה, מלבד אלו המומלצים על-ידי היצרן.
- אזהרה: אין לפגוע במעגל הקירור.
- אזהרה: אין להשתמש במכשירים חשמליים בתוך תאי אחסון המזון של המכשיר, אלא אם הם מהסוג המומלץ על-ידי היצרן.



- אזהרה: סכנת שריפה/חומרים דליקים.
- אזהרה: בעת מיקום המכשיר, ודא שכבל החשמל אינו נלכד ואינו פגום.
- אזהרה: אין למקם שקעים ניידים מרובים או ספקי כוח ניידים בחלקו האחורי של המכשיר.
- למניעת זיהום המזון, יש לקרוא את ההוראות הבאות:
- פתיחת הדלת לפרק זמן ממושך עלולה לגרום לעלייה משמעותית בטמפרטורה בתאי המכשיר.
- יש לנקות בקביעות את המשטחים שיכולים לבוא במגע עם מזון ומערכות ניקוז נגישות.
- יש לנקות את מיכלי מים אם לא נעשה בהם שימוש במשך 48 שעות. יש לשטוף את מערכת המים המחוברת לאספקת מים אם לא נשאבו מים במשך חמישה ימים.
- יש לאחסן בשר ודגים נאים בכלים מתאימים במקרר, כדי שלא יבואו במגע עם מזון אחר.
- אם המכשיר נותר ריק לתקופות ארוכות, יש לכבות אותו, להפשיר, לנקות, ולייבש אותו ולהשאר את הדלת פתוחה כדי למנוע התפתחות של עובש בתוך המכשיר.



למנוע סכנה.

הוראות עבור מכשירים הכוללים סוללות המיועדות להחלפה על-ידי המשתמש יכללו את הפרטים הבאים:

- סוג הסוללה: סוללת ליתיום-יון נטענת (A17B5)
- השלכה של סוללה לאש או לתנור חם, ריסוק מכני של סוללה או חיתוך של סוללה, עלולים לגרום להתפוצצות.

- זהירות: סכנת התפוצצות אם מחליפים את הסוללה בסוג שגוי. אין להשתמש בסוללות שאינן נטענות!
- חשיפה של סוללה ללחץ אוויר נמוך במיוחד עלולה לגרום להתפוצצות או לדליפה של נוזל או גז דליק. בנסיבות שבהן נזק למכשיר, נוזל עלול לדלוף מהסוללה – יש להימנע ממגע בו. אם במקרה באים במגע עם הנוזל, יש לשטוף את האזור במים. אם הנוזל בא במגע עם העיניים, יש לפנות לקבלת טיפול רפואי מכיוון שהדבר עלול לגרום לגירויים או לכוויות.
- יש להוציא את הסוללה מהמכשיר לפני השלכתו.
- יש לנתק את המכשיר מהחשמל בעת הוצאת הסוללה.
- אין להשליך את המוצר לאש או למקום חם.
- כאשר משליכים סוללות או תאים משניים, יש לשמור אותם במערכות אלקטרו-כימיות נפרדות זה מזה.

אזהרה: למטרות טעינה מחדש של הסוללה, יש להשתמש אך ורק ביחידת ספק הכוח הנתיקה המצורפת למכשיר.

כאשר המכשיר מחובר למתח DC, יש לספק למכשיר רק את מתח הבטיחות הנמוך ביותר המצוין על סימון המכשיר.



יחידת ספק כוח נתיקה

יש לנתק את אספקת החשמל לפני ביצוע פעולות ניקוי ותחזוקה.

- מתאים לקמפינג.

- אין לחשוף את המכשיר לגשם.

אין לאחסן חומרים נפיצים כגון פחיות אירוסול עם חומר דליק במכשיר זה.

אזהרה: בעת מיקום המכשיר, ודא שכבל החשמל אינו נלכד ואינו פגום.

אזהרה: אין למקם שקעים ניידים מרובים או ספקי כוח ניידים בחלקו האחורי של המכשיר.

להורדת הסיכון לפציעה, על המשתמשים לקרוא את מדריך ההוראות.

אזהרה: יש לקרוא את כל אזהרות הבטיחות וההוראות. אי ציות לאזהרות ולהנחיות עלול לגרום להתחשמלות, להתלקחות ו/או לפציעה חמורה.

אין לאפשר לאנשים (כולל ילדים) בעלי מוגבלויות פיזיות, חושיות או מנטליות או חסרי ניסיון וידע להשתמש במכשיר זה ללא השגחה או הדרכה מתאימה בנוגע לשימוש בטוח מטעם האחראי על ביטוחתם.

יש לפקק על ילדים כדי לוודא שאינם משחקים עם המכשיר.

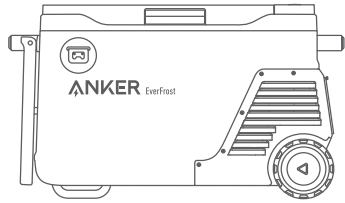
אם נגרם נזק לכבל החשמל, יש להחליפו אצל היצרן, סוכן השירות או אנשי מקצוע מוסמכים על מנת למנוע סכנה.

הוראות עבור מכשירים הכוללים סוללות המיועדות להחלפה על-ידי המשתמש יכללו את הפרטים

הצהרת תאימות

מוצר זה תואם לדרישות הקהילה האירופית בדבר הפרעות רדיו. חברת Anker Innovations Limited מצהירה בזאת כי ציוד הרדיו מסוג A17A1 תואם להנחיה 2014/53/EU. הטקסט המלא של הצהרת התאימות של האיחוד האירופי זמין באתר האינטרנט הבא: <https://www.anker.com>.

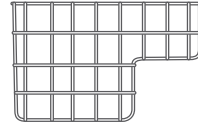
תכולת האריזה



Anker EverFrost Powered Cooler 40



סוללת Anker עבור מכשיר קירור מופעל



סלסלת אחסון



כבל לטעינה לרכב



מתען וכבל הטענה

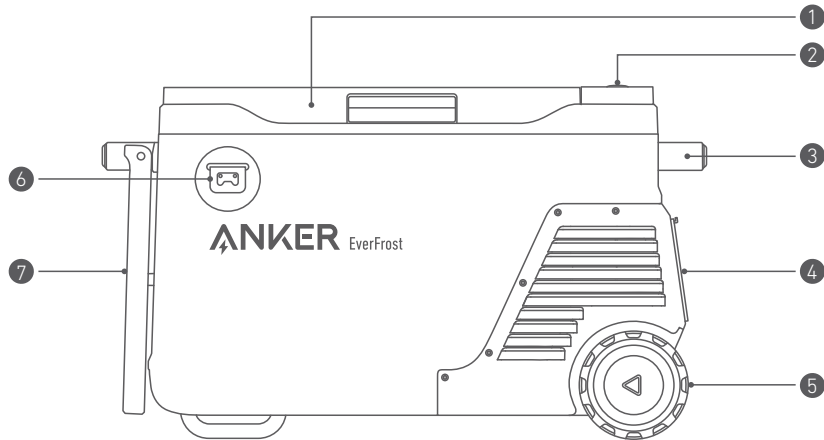


כבל XT-60



מדריך למשתמש

סקירה כללית



1	מכסה מכשיר קירור	5	גלגלים
2	מסך LCD	6	מברג
3	ידית	7	שולחן מתקפל
4	מכסה סוללה		

פתח את המגש ואת הרגל המתקפלת מתחת למכשיר הקירור.

הספק מתח מוצא מקסימלי: 4+ dBm (עבור האיחוד האירופי)

תחום תדרים: תדר 2.4G (2.4835GHz-2.4000GHz)



הצהרת תאימות – בריטניה

חברת Anker Innovations Limited מצהירה בזאת שהמוצר תואם לתקנות ציוד רדיו 2017. הטקסט המלא של הצהרת התאימות של בריטניה זמין באתר האינטרנט הבא: <https://www.anker.com>.

היבואן הבא הוא הצד האחראי בנושאים הקשורים לאיחוד האירופי ובריטניה.

Anker Technology (UK) Ltd

GNR8, 49 Clarendon Road, Watford, Hertfordshire, WD17 1HP, United Kingdom

Anker Innovations Deutschland GmbH

Georg-Muche-Strasse 3, 80807 Munich, Germany

:Bluetooth

סמל המילה וסמלי הלוגו של Bluetooth® הם סימנים מסחריים רשומים בבעלות Bluetooth SIG, Inc, וכל שימוש שהוא בסימנים אלה על-ידי Anker Innovations Limited נעשה ברישיון. סימנים מסחריים ושמות מסחריים אחרים שייכים לבעליהם, בהתאמה.

יצרן:

Anker Innovations Limited

Room 1318-19, Hollywood Plaza, 610 Nathan Road, Mongkok, Kowloon, Hong Kong

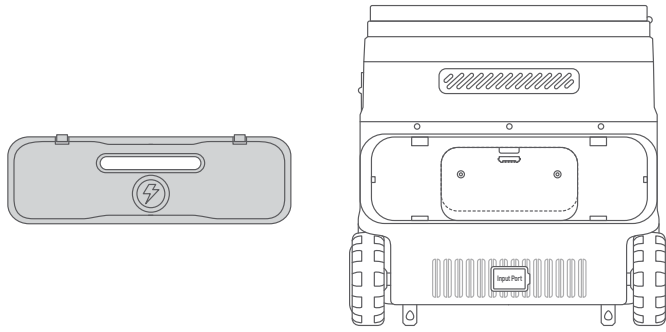


סמל זה מציינ כי אין להתייחס למוצר כאל פסולת ביתית רגילה. במקום זאת, יש להעבירו לנקודת האיסוף המתאימה לצורך מיחזור של ציור חשמלי או אלקטרוני.

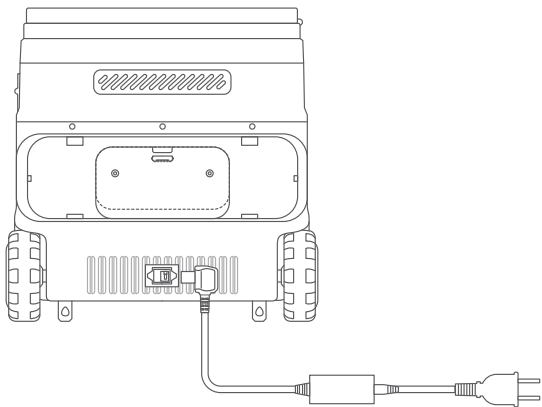
הפעלת מכשיר הקירור

אנו לא ממליצים להשתמש במספר שיטות טעינה בו זמנית.

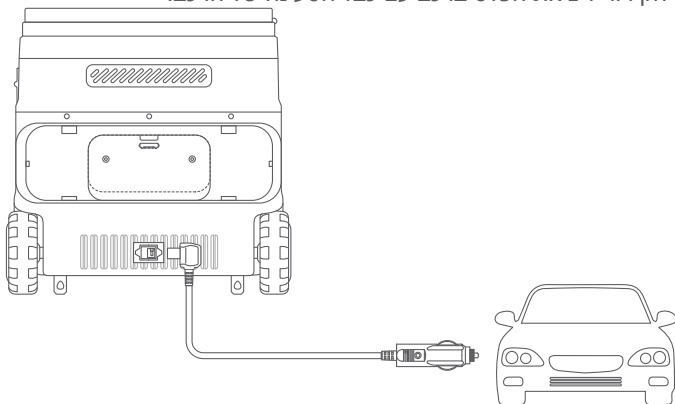
ללא הסוללה:



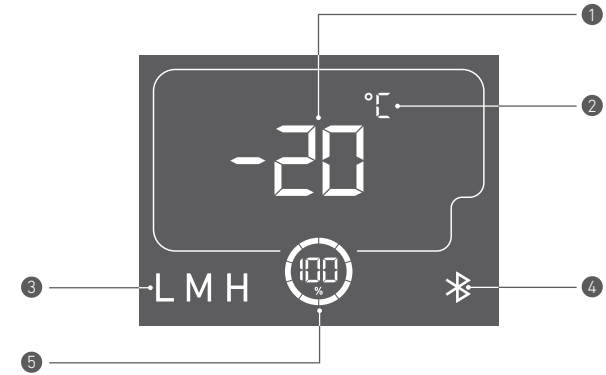
זרם חשמל AC
חבר את מכשיר הקירור לשקע בקיר עם כבל טעינת AC כדי להפעילו.



הפעלה באמצעות הרכב
חבר את מכשיר הקירור ליציאת הפלט ברכב עם כבל הטעינה של הרכב.



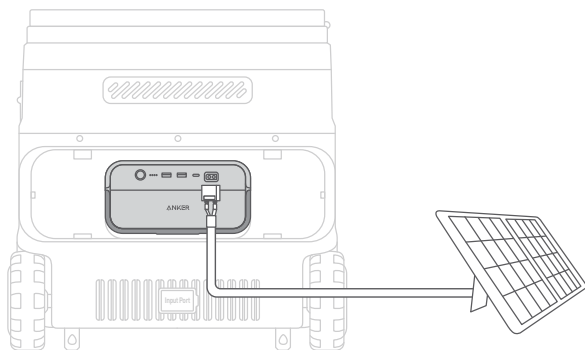
באמצעות סוללה



1	טמפרטורה
2	יחידת הטמפרטורה
3	רמת הגנה מפני מתח
4	Bluetooth
5	יתרת המתח בסוללה באחוזים (אם הסוללה משמשת להפעלה)

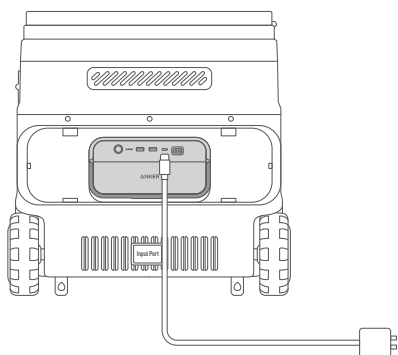
טעינה מחדש באמצעות לוח סולרי

הפעל את מכשיר הקירור על-ידי חיבור הסוללה ללוח סולרי עם כבל XT-60 ל-XT-60.

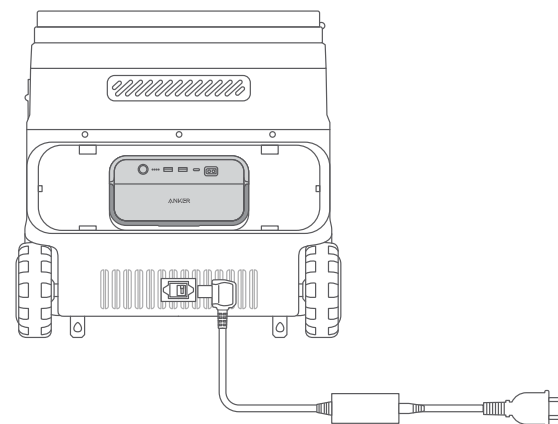
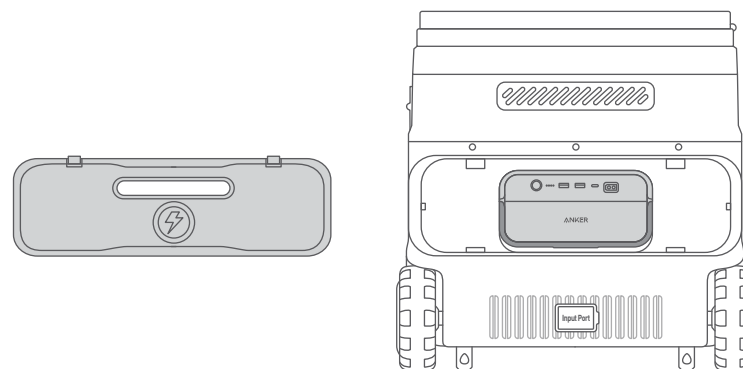


טעינה מחדש עם USB-C

הפעל את מכשיר הקירור על-ידי חיבור הסוללה לשקע קיר עם כבל USB-C.

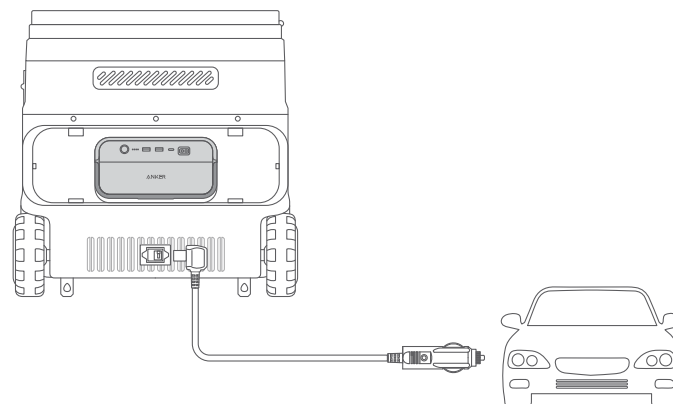


חבר את מכשיר הקירור לשקע בקיר עם כבל טעינת AC כדי להפעילו.



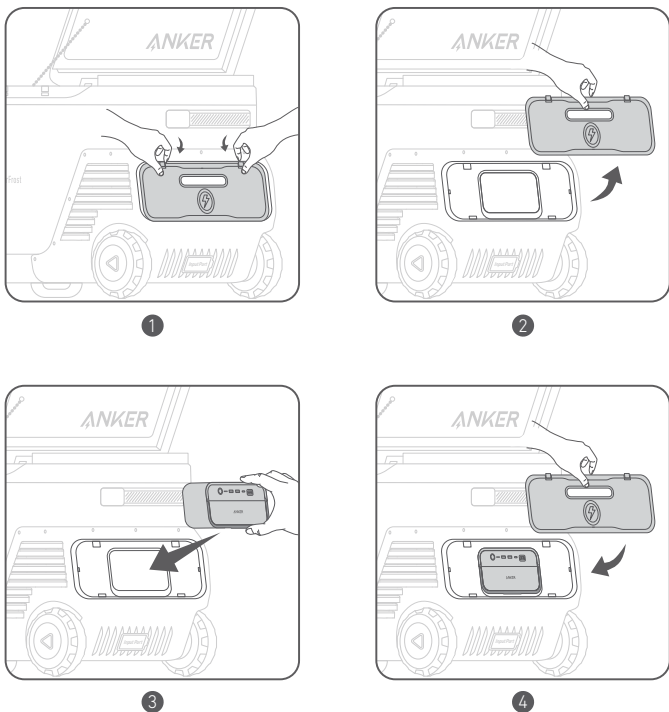
הפעלה באמצעות הרכב


חבר את מכשיר הקירור ליציאת הפלט ברכב עם כבל הטעינה של הרכב.



התקנת הסוללה

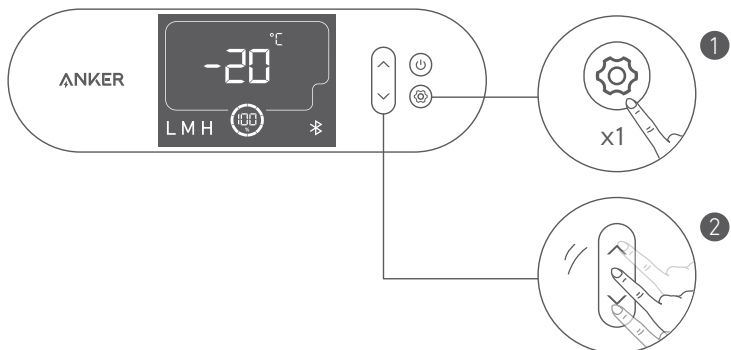
לחץ על התפסים כדי להסיר את מכסה הסוללה. מקם את הסוללה בפנים עד שתשמע צליל נקישה לאחר התקנה מוצלחת של הסוללה. לאחר מכן, החזר את כיסוי הסוללה למקומו.



מכסה הסוללה ייפתח אוטומטית עם הרמתו. 

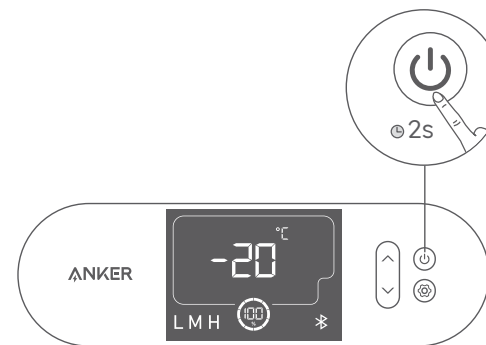
הגדרת הטמפרטורה

כדי להיכנס למצב התאמת הטמפרטורה, לחץ על לחצן ההגדרות עד שמספר הטמפרטורה יבהב. לחץ על הלחצנים למעלה או למטה כדי לכוון את אזור הטמפרטורה, ואשר את הטמפרטורה הרצויה על-ידי לחיצה נוספת על לחצן ההגדרות.

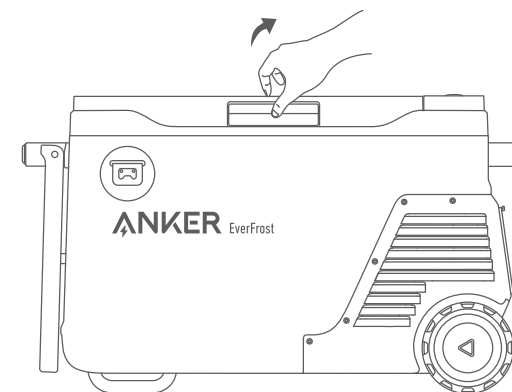


שימוש במכשיר הקירור

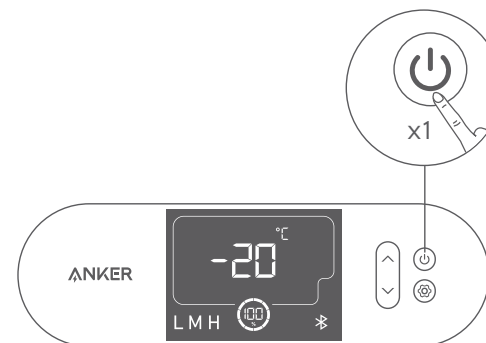
1. יש ללחוץ במשך 2 שניות על לחצן ההפעלה כדי להפעיל את מכשיר הקירור. מסך ה-LCD יידלק.



2. דחוף את המכסה כלפי מעלה כדי לפתוח את מכשיר הקירור.



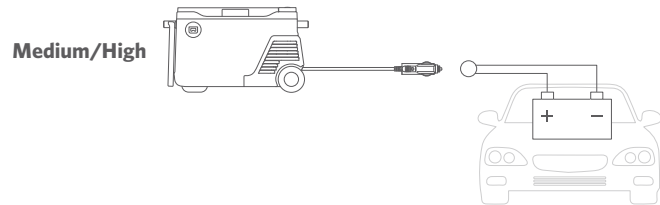
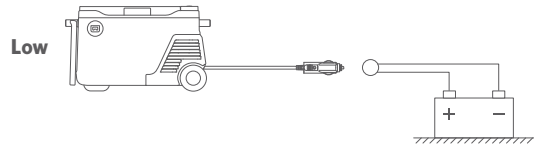
3. לחץ על לחצן ההפעלה פעם אחת כדי להדליק את מסך ה-LCD.



דרגות הגנה על מצבר הרכב

כדי להיכנס למצב התאמה של רמת המתח, לחץ על לחצן ההגדרות עד שהסמל של רמת המתח יהבהב. לחץ על הלחצנים למעלה או למטה כדי לבחור בין "L/M/H", ואשר על-ידי לחיצה נוספת על לחצן ההגדרות.

בחר הילוך "M/H" כאשר המוצר מופעל באמצעות מכונית. מומלץ לבחור בהילוך "L" כאשר הוא מופעל על ידי ספק כוח עצמאי.



24V		12V		
מתח הפעלה	מתח לשימוש	מתח הפעלה	מתח לשימוש	
26.1V	24.7V	12.5V	12V	גבוה
25.3V	24.3V	12.2V	11.4V	בינוני
22.9V	21.9V	11.3V	10.4V	נמוך

אפליקציית Anker של Smart Control

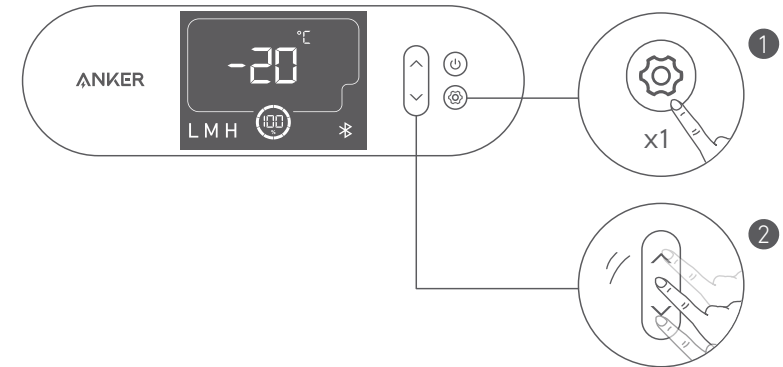
ניתן לשלוט מרחוק במכשיר הקירור המופעל באמצעות אפליקציית Anker. ניתן להוריד את האפליקציה ואת המדריך למשתמש על-ידי סריקה של קוד QR זה.

חבר את המכשיר לרשת לפני השימוש באפליקציה בפעם הראשונה. אחרי השלמת ההתחברות בהצלחה, תוכל לחבר את המכשירים שלך ללא חיבור לרשת.



הגדרת יחידת הטמפרטורה

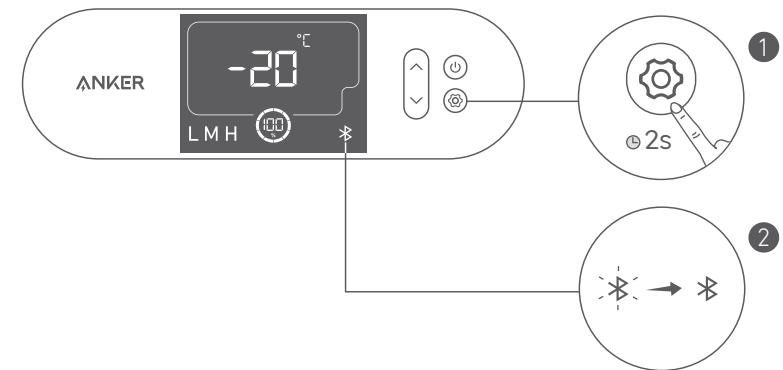
כדי להיכנס למצב התאמת הטמפרטורה, לחץ על לחצן ההגדרות עד שהסמל של יחידת הטמפרטורה יהבהב. לחץ על הלחצנים למעלה או למטה כדי לבחור בין "צ'לזיוס/פרנהייט", ואשר את היחידה על-ידי לחיצה נוספת על לחצן ההגדרות.



Bluetooth

כדי להפעיל את ה-Bluetooth, יש ללחוץ על לחצן ההגדרות למשך 2 שניות. סמל ה-Bluetooth של המסך יהבהב.

הוא יתחבר באופן אוטומטי לטלפון עם Bluetooth מופעל, והסמל יאיר באור לבן יציב.



פונקציית ה-Bluetooth תכבה לאחר 12 שעות אם לא יהיה חיבור. 💡

נפח אחסון	43L
קיבולת סוללה	299Wh
מתח קלט AC	100V-240V, 50Hz/60Hz
הספק קלט AC	95W לכל היותר
קלט DC	(5.5A(12V)/ 2.5A(24V)
קירור	R1234yf(40 גרם)
גודל	73.2 x 43.0 x 48.7cm
משקל נטו	48 ליברות / 21.8 ק"ג
טווח טמפרטורה במקרר	20°C - 20°C
טווח טמפרטורת הפעלה	0 - 40°C

פתרון בעיות

- תזכורת לסגירת דלתות: הזמזם ישמיע תזכורת אם מכסה מכשיר הקירור אינו סגור במשך יותר מ-180 שניות.

- מכשיר הקירור יפסיק לפעול אם זווית ההטיה תהיה גדולה מ-30 מעלות. מקם אותו בצורה אופקית והוא יחזור לפעול כרגיל תוך 5 דקות.

שאלות נפוצות

ש' 1: לכמה זמן מספיקה סוללת מכשיר הקירור כשהיא טעונה במלואה?

קיבולת הסוללה של מכשיר הקירור היא 299Wh. כאשר טמפרטורת הסביבה של מכשיר הקירור היא 25°C (77°F), הוא יפעל במשך 35.8 שעות עם טמפרטורת אחסון של 4°C (39.2°F).

ש' 2: באיזו טמפרטורת סביבה ניתן להשתמש במכשיר הקירור בדרך כלל?

- טמפרטורת הסביבה המומלצת היא 32°F - 104°F (- 40°C - 0°C).

ש' 3: מה עלי לעשות במהלך שימוש במטען הסולרי כדי להטעין את Anker EverFrost Powered Cooler?

הקלט הסולרי תומך במטען סולרי 11-30V עם מחבר XT-60. אנו ממליצים להשתמש בלוח סולרי 100W של Anker לתאימות מיטבית.

מדיניות אחריות של Anker EverFrost Powered Cooler

هذا المبرد Anker EverFrost Powered Cooler الذي يتم شراؤه من الموزعين المعتمدين من AnkerDirect Cooler זה שנרכש דרך מפיצים מורשים של AnkerDirect ודרך Anker מגיע עם אחריות מוגבלת (להלן "אחריות") כפי שמוגדר להלן. בשימוש ב-Anker EverFrost Powered Cooler, אתה מסכים להיות מחויב לתנאי האחריות המוגבלת של Anker.

אחריות מוגבלת לשנתיים על Anker EverFrost Powered Cooler ואחריות מוגבלת ל-3 שנים על המדחס לרכישות שבוצעו דרך משווקים מורשים של AnkerDirect ו-Anker. תקופת האחריות מתחילה מתאריך הרכישה.

האחריות המוגבלת של Anker מוגבלת למדינה שבה המוצר נרכש. האחריות המוגבלת מבוטלת לגבי פריטים שהוצאו מחוץ למדינה שבה נרכשו במקור או שנשלחו אליה ישירות ברכישה מקוונת מורשית.

החרגות והגבלות

האחריות לא מכסה:

- מוצרים פגומים או שעברו התאמות.
- השימוש במוצרים התבצע עם כבל או תקע חשמל פגום, או עם כבל פלט פגום.
- מוצרים מפורקים.
- מוצרים שנוקו בחומרים כימיים או בחומרי ניקוי שעלולים להזיק להם.
- בעיות שאינן קשורות לאיכות (לאחר 30 יום מהרכישה).
- מוצרים שנרכשו ממפיצים לא מורשים.
- מוצרים ללא הוכחה מספקת לרכישה.
- מוצרים שהתקבל עבורם החזר כספי.
- מוצרים שתוקף האחריות שלהם פג.
- מוצרים שאבדו, נגנבו או התקבלו בחינם.
- נזק ממקורות חיצוניים.
- תיקונים שנעשו על-ידי צד שלישי.
- נזק שנגרם כתוצאה משימוש לרעה במוצרים (לרבות, בין היתר, נפילות, שימוש במוצר מעבר להספק המתח הנקוב, חשיפה של המוצר לגשם או לשלג, לחץ אוויר נמוך במיוחד, טמפרטורות קיצוניות).
- רכישות ממקורות לא חוקיים.
- סוללות שניזוקו כאשר אינן בשימוש במשך זמן רב או לא מתוחזקות כראוי בהתאם למדריך למשתמש.

Anker לא נושאת באחריות על:

- אובדן נתונים שנגרמו מהשימוש במוצרי Anker.
- החזרת חפצים אישיים שנשלחו אל Anker.

בהחזרת פריטים עם תווית משלוח בתשלום מראש שסופקה על-ידי Anker, חברת Anker לוקחת אחריות על כל נזק או אובדן שייגרמו במהלך ההובלה. בעת החזרת פריטים בשל בעיות שלא קשורות לאיכות, הקונה אחראי לכל נזק או הפסד שייגרמו במהלך ההובלה. Anker אינה מספקת החזרים עבור פריטים שניזוקו במעבר עקב תביעות אחריות שאינן קשורות לאיכות.

רשום את ה-Anker EverFrost שלך

למה להירשם?

1. אחריות ללא טרחה: אישור האחריות המוגבלת לשנתיים על Anker EverFrost Powered Cooler והאחריות המוגבלת לשלוש שנים על המדחס.
2. שירות לקוחות מהיר: ליהנות משירות לקוחות בלעדי ולקבל את כל מה שצריך במהירות.
3. קבלת החדשות האחרונות: קבל הצצה ראשונה בלעדית למוצרים חדשים ועדכונים מיידיים על אירועים רשמיים.



יש לסרוק את קוד ה-QR למטה כדי להיכנס לדף השירות העצמי החכם לקבלת מידע נוסף על Anker EverFrost שלך.



תביעות החזר ואחריות

לקבלת מידע נוסף, ניתן לבקר בכתובת www.anker.com/anker-portable-power-station-warranty-policy

לצורך תביעת אחריות, ניתן לשלוח דוא"ל לכתובת:

שוק בארה"ב/ב/קנדה/יפן/גרמניה/בריטניה: support@anker.com

שוק המזרח התיכון ואפריקה: support.mea@anker.com

שוק סין: CED-CN@anker.com

אפשר גם להתקשר אלינו:

ארה"ב/קנדה: 1+ (800) 988 7973 בריטניה: 44+(0) 1604 936 200

גרמניה: 49+(0)69 9579 7960 יפן: 81+ 03 4455 7823

איחוד האמירויות הערביות: 971+ 8000 320 817 ערב הסעודית: 966+ 8008 500 030

כווית: 965+ 2206 9086 מצרים: 20+ 8000 000 826

אוסטרליה: 61+ 3 8331 4800 טורקיה: 90+(850)460 1414

רוסיה: 8+(800)511 8623 סין: 86+ 400 0550 036

קוריאה: 82+ 0216 7070 98 הודו: 91+ 1800 3138 831

המזרח התיכון ואפריקה: 971+ 4242 8633

הוכחת רכישה תקפה

יש לעיין בכתובת: <https://us.anker.com/policies/refund-policy>

עלויות המשלוח יכוסו על-ידי הקונה במצבים הבאים

יש לעיין בכתובת: <https://us.anker.com/policies/refund-policy>

דף זה מצורף לדף האחריות של Anker, ו-Anker שומרת לעצמה את זכות הפרשנות הסופית של התוכן.

Customer service

DE: Kundenservice
IT: Servizio Clienti
NL: Klantenservice

ES: Atención al Cliente
PT: Serviço de Apoio ao Client

AR: خدمة العملاء
HE: שירות לקוחות



EN: 2-Year Limited Warranty*
ES: Garantía limitada de 2 años*
IT: Garanzia limitata di 2 anni*

DE: 2 Jahre eingeschränkte Garantie*
PT: 2 anos de garantia limitada
NL: Twee jaar beperkte garantie

AR: ضمان محدود لمدة 2 سنوات
HE: אחריות מוגבלת לשנתיים

***EN:** Please note that your rights under applicable law governing the sale of consumer goods remain unaffected by the warranties given in this Limited Warranty.

DE: Die gesetzlichen Gewährleistungspflichten bleiben von der beschränkten Herstellergarantie unberührt.

ES: Tenga en cuenta que los derechos que le conceden las leyes aplicables que rigen la venta de bienes de consumo no se ven afectados por las garantías que proporciona esta garantía limitada.

IT: Si prega di notare che i diritti del cliente ai sensi della legge applicabile in materia di vendita di beni di consumo non sono influenzati dalle garanzie concesse dalla presente Garanzia limitata.



EN: Lifetime technical support
ES: Asistencia técnica permanente
IT: Supporto tecnico per l'intero ciclo di vita

DE: Technischer Support für die Produktlebensdauer
PT: Suporte técnico vitalício
NL: Levenslange technische ondersteuning

AR: دعم فني مدى الحياة
HE: תמיכה טכנית לכל החיים



support@anker.com
support.me@anker.com (For Middle East and Africa Only)



(US/CA) +1 (800)988 7973
(DE) +49 (0) 69 9579 7960
(UAE) +971 8000320817
(Kuwait) +965 22069086
(AU) +61 3 8331 4800
(RU) +8 (800) 511-86-23
(日本) 03 4455 7823
(India) +91 18003138831

(UK) +44 (0) 1604 936200
(Middle East & Africa) +971 42428633
(KSA) +966 8008500030
(Egypt) +20 8000000826
(TR) +90 0850 460 14 14
(中国) +86 400 0550 036
(한국) +82 02-1670-7098