

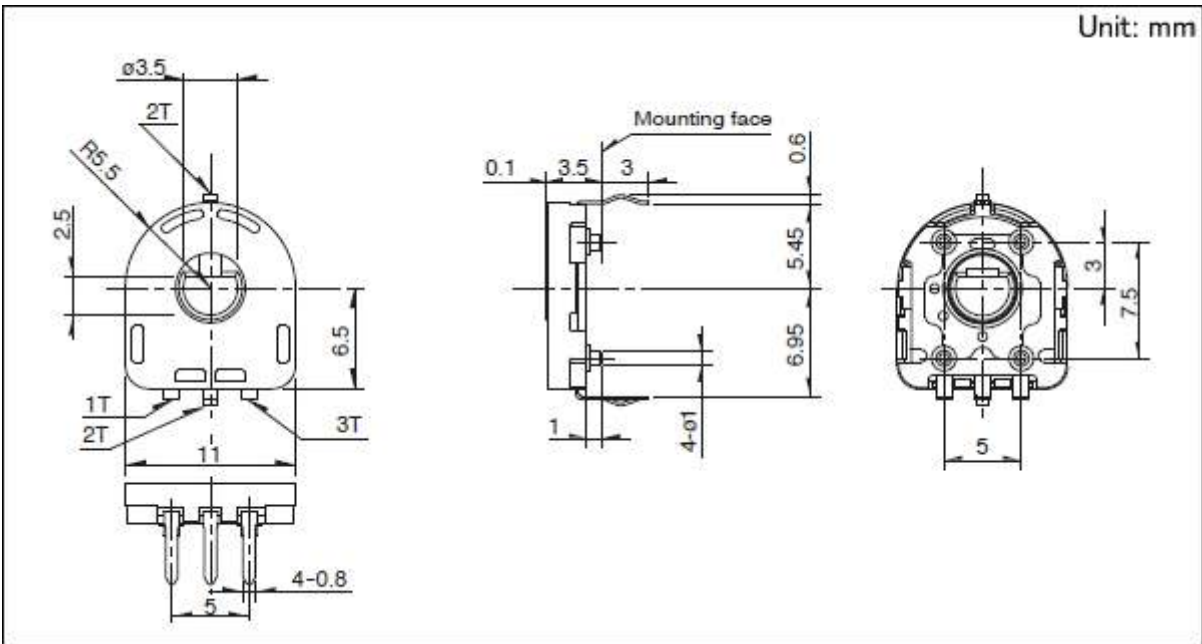
## Rotary Type RDC50 Series

|                             |                            |                       |
|-----------------------------|----------------------------|-----------------------|
| Part number                 | <b>RDC501015A</b>          |                       |
| Mounting method             | Horizontal type            |                       |
| Total resistance            | 10kΩ                       |                       |
| Effective electrical angle  | 333.3°                     |                       |
| Linearity guarantee range   | 320°                       |                       |
| Linearity                   | ±2%                        |                       |
| Hollow shaft variation      | φ3.5 dia                   |                       |
| Operating life              | 1,000,000 cycles           |                       |
| Operating temperature range | -40°C to +120°C            |                       |
| Mechanical performance      | Rotational torque          | 2mN·m max.            |
| Electrical performance      | Total resistance tolerance | ±30%                  |
|                             | Rated voltage              | 5V DC                 |
| Environmental test          | Cold                       | -40°C 168h            |
|                             | Dry heat                   | 120°C 168h            |
|                             | Damp heat                  | 60°C, 90 to 95%RH 96h |
| Minimum order unit (pcs.)   | Japan                      | 1,500                 |
|                             | Export                     | 3,000                 |

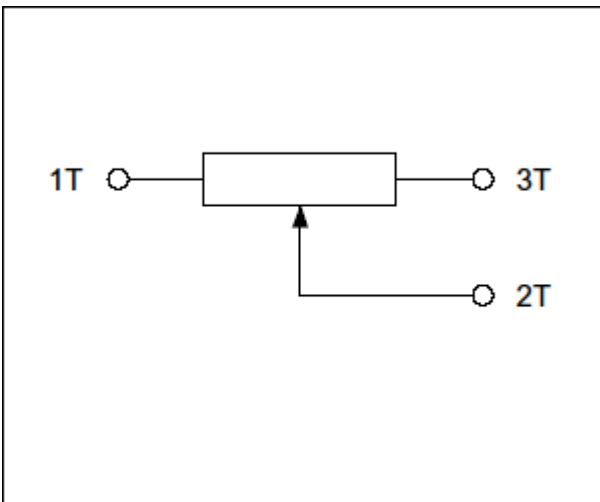
### Photo



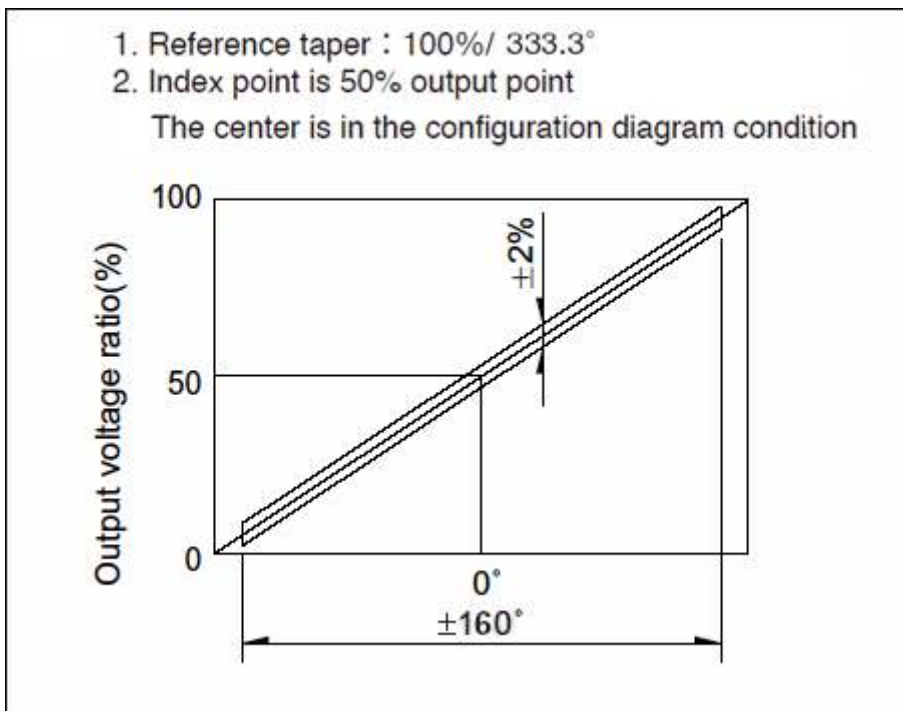
### Dimensions



### Circuit Diagram



### Linearity



## Packing Specifications

### Tray

|                           |                |       |
|---------------------------|----------------|-------|
| Number of packages (pcs.) | 1 case / Japan | 1,500 |
|---------------------------|----------------|-------|

|  |                         |       |
|--|-------------------------|-------|
|  | 1 case / export packing | 3,000 |
|--|-------------------------|-------|

|                                  |             |
|----------------------------------|-------------|
| Export package measurements (mm) | 526×370×191 |
|----------------------------------|-------------|

## Soldering Conditions

### Reference for Dip Soldering

|            |                               |              |
|------------|-------------------------------|--------------|
| Preheating | Soldering surface temperature | 100 to 150°C |
|------------|-------------------------------|--------------|

|  |              |             |
|--|--------------|-------------|
|  | Heating time | 1 min. max. |
|--|--------------|-------------|

|               |                       |         |
|---------------|-----------------------|---------|
| Dip soldering | Soldering temperature | 260±5°C |
|---------------|-----------------------|---------|

|  |                |       |
|--|----------------|-------|
|  | Soldering time | 10±1s |
|--|----------------|-------|

|                |  |        |
|----------------|--|--------|
| No. of solders |  | 1 time |
|----------------|--|--------|

### Reference for Hand Soldering

|                 |  |         |
|-----------------|--|---------|
| Tip temperature |  | 350±5°C |
|-----------------|--|---------|

|                |  |           |
|----------------|--|-----------|
| Soldering time |  | 3(+1, 0)s |
|----------------|--|-----------|

Notes are common to this series/models.

1. This site catalog shows only outline specifications. When using the products, please obtain formal specifications for supply.
2. Place your purchase order in N minimum package units (N: integer).
3. For reflow type, 1-reel is the minimum packing unit. Please see taping specifications.
4. Ask us for the export packaging unit.
5. Products other than those listed in above products are also available. Please contact us for details.
6. This products can be used in vehicles.

Although these products are designed to perform over a wide operating temperature range, please ensure that you receive and read the formal delivery specifications before use.