



Meaningful Innovation.

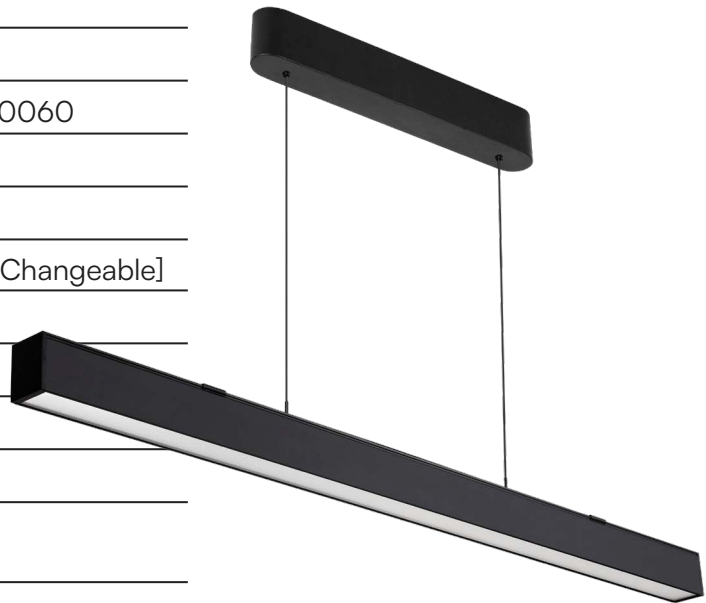
WEEE Number: 80133970

INSTRUCTION MANUAL

LED LINEAR HANGING LIGHT ADJUSTABLE HEIGHT

TECHNICAL DATA

MODEL	VT-7-44
SKU	10468, 10469, 20060
LUMENS	3400 Lm
WATTS	40W
LED COLOUR	3000K-6400K [Changeable]
BEAM ANGLE	100°
CRI	>80
PF	>0.9
LIFE SPAN	30,000 Hours
LINKABLE CONNECTION	Upto 10
IP RATING	IP20
BODY TYPE	PS+Aluminium
WIRE LENGTG	1.5 Meter Wire
OPERATION TEMPERATURE	-20°C to +40°C
INPUT POWER	AC: 200-240V, 50/60Hz
DIMENSION	1210x55x15.8mm



EASY TOGGLE SWITCH



3000K 4000K 6400K

05 YEAR
WARRANTY*

INTRODUCTION & WARRANTY

Thank you for selecting and buying V-TAC product. V-TAC will serve you the best. Please read these instructions carefully before starting the installation and keep this manual handy for future reference. If you have any another query, please contact our dealer or local vendor from whom you have purchased the product. They are trained and ready to serve you at the best. The warranty is valid for 5 years from the date of purchase. The warranty does not apply to damage caused by incorrect installation or abnormal wear and tear. The company gives no warranty against damage to any surface due to incorrect removal and installation of the product. The products are suitable for 10-12 Hours Daily operation. Usage of product for 24 Hours a day would void the warranty. This product is warranted for manufacturing defects only.



MULTI-LANGUAGE MANUAL QR CODE

Please scan the QR code to access the manual in multiple languages.

In case of any query/issue with the product, please reach out to us at: support@v-tac.eu
For More products range, inquiry please contact our distributor or nearest dealers.
V-TAC EUROPE LTD. Bulgaria, Plovdiv 4000, bul.L.Karavelow 9B

WARNING

1. Please make sure to turn off the power before starting the installation.
2. Installation should be done by certified electrician.
3. If the external flexible cable or cord of this luminaire is damaged, it shall be exclusively replaced by the manufacturer or his service agent or a similar qualified person in order to avoid a hazard.
4. Proper grounding should be ensured throughout the installation.
5. For Indoor use only



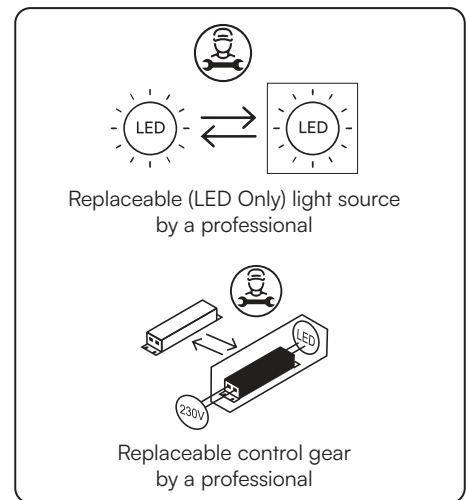
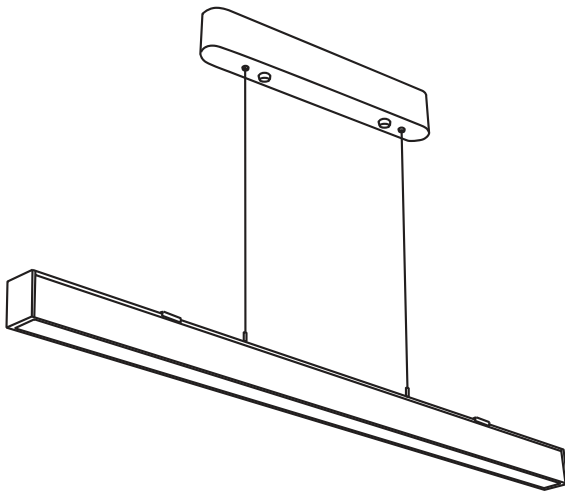
This marking indicates that this product should not be disposed of with other household wastes.



Caution, Risk of electric shock

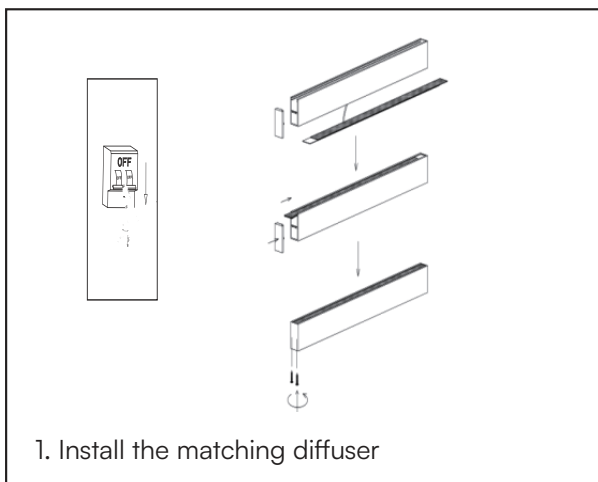
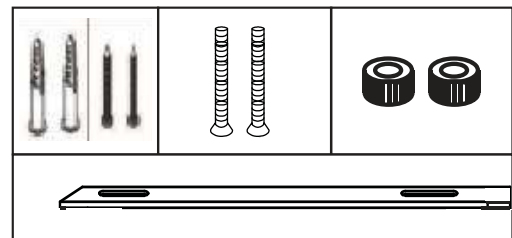
INSTALLATION DIAGRAM

- Switch off the power before starting the installation.
- Drill a hole of 6mm diameter on the ceiling push the plastic fitting into the hole
- Tightly firm locked 4 to 2
- Put 7 bottom plate and insert the lamp body, keep the suspension cables in a vertical direction.
- Hang the lamp using the hanging wire.

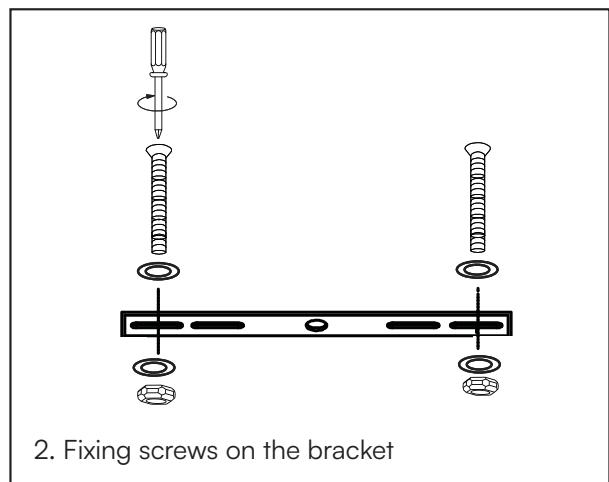


Replaceable (LED Only) light source
by a professional

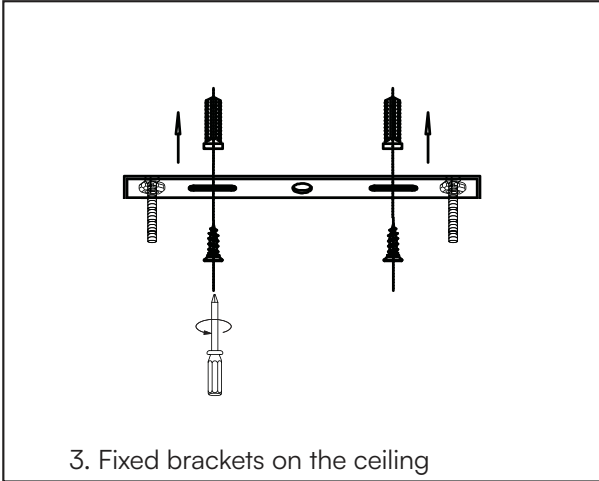
Replaceable control gear
by a professional



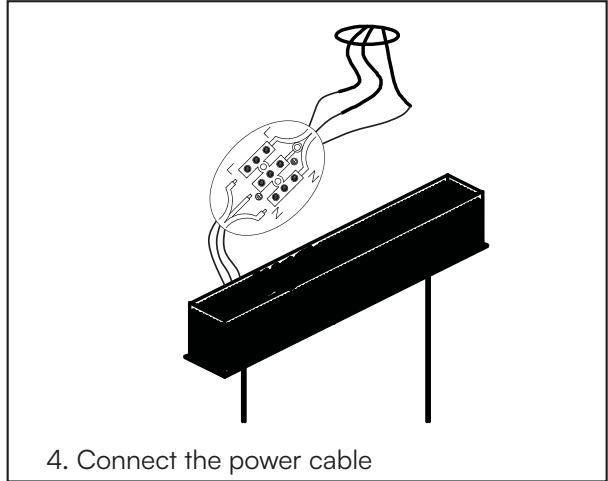
1. Install the matching diffuser



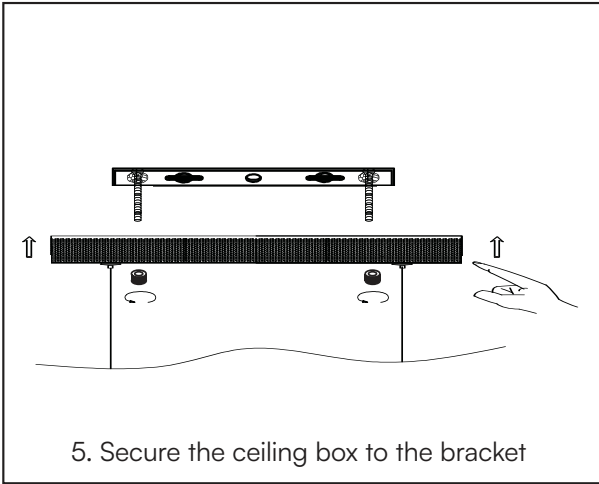
2. Fixing screws on the bracket



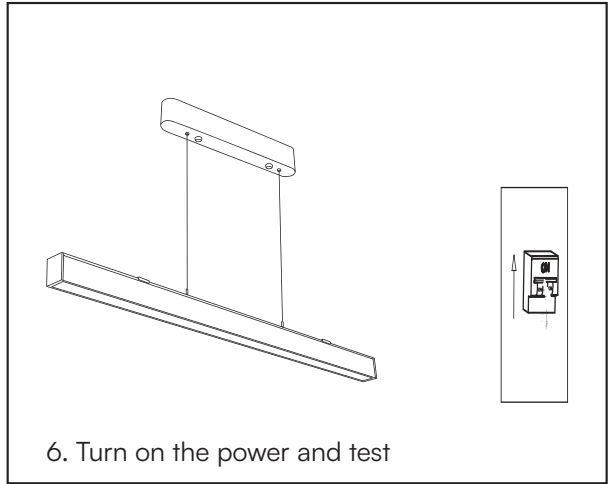
3. Fixed brackets on the ceiling



4. Connect the power cable



5. Secure the ceiling box to the bracket



6. Turn on the power and test

RoHS



UK
CA

