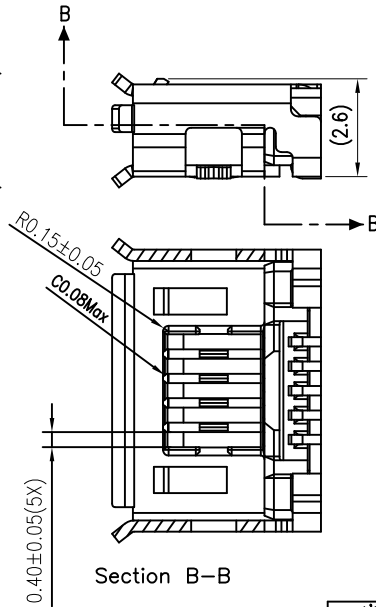
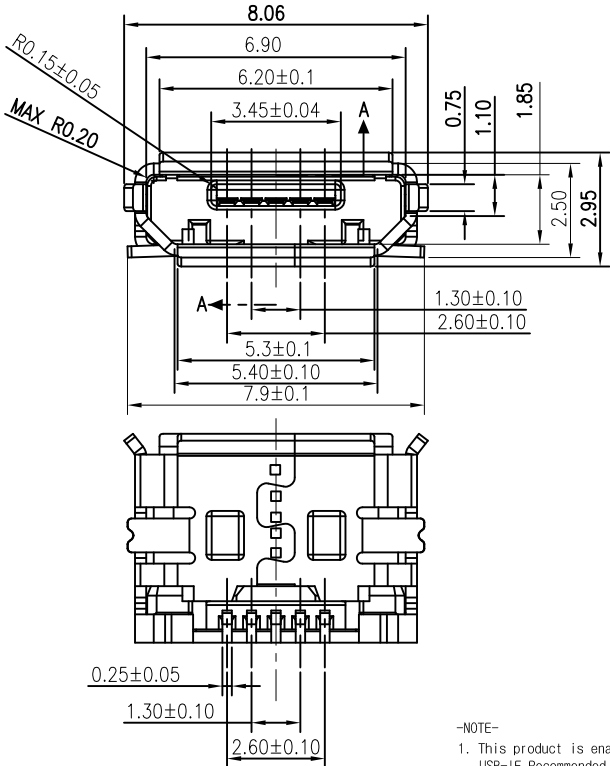
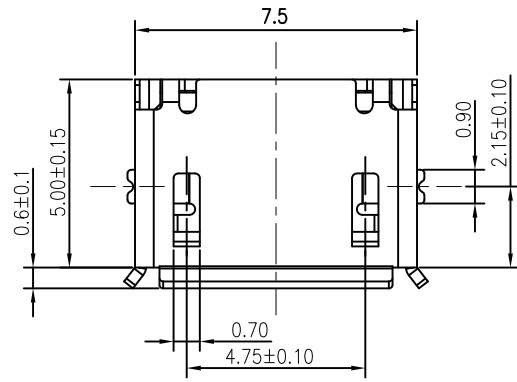




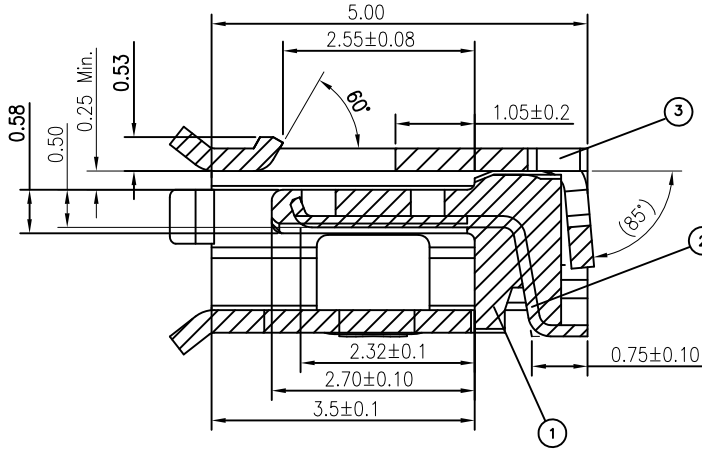
All rights strictly reserved. Reproduction or issue to third parties in any form whatever is not permitted without written authority from the proprietor. Property of FCI. Copyright FCI.

Tous droits strictement réservés. Reproduction ou communication à des tiers interdite sous quelque forme que ce soit sans autorisation écrite du propriétaire. Propriété de c FCI. Droits de reproduction FCI.

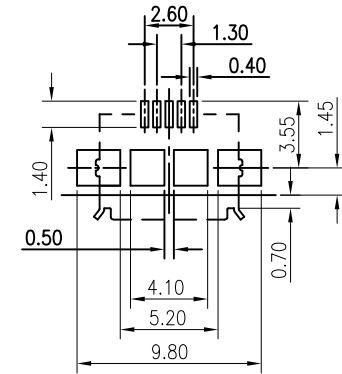
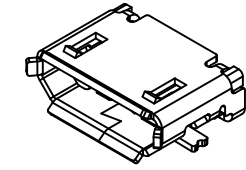
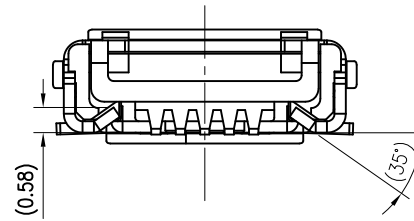


-NOTE-

- This product is enable to mount both USB-IF Recommended PCB pattern bottom of soldering terminals
- Coplanarity : The dimension between flat tool and when connector put on the flat tool like PCB Signal Contact ter' solder tail : Max 0.08 mm Metal tab : Max 0.1mm
- PRODUCT NUMBERING : 10104110 - 0001 LF



Section A-A (10:1)



RECOMMENDED PCB LAYOUT

ITEM	DESCRIPTION	MATERIAL	FINISH	QTY
1	HOUSING	THERMOPLASTIC+GF	BLACK	1
2	CONTACT	COPPER ALLOY	PLATING : Au PLATED OVER NICKEL OVERALL	1
3	SHELL	STAINLESS STEEL	PLATING : TIN OVER NICKEL OVERALL	1

mat'l. code		tolerances unless otherwise specified		CUSTOMER COPY		FCI		www.fciconnect.com	
ltr	ecn no	dr	date	linear	.X ± 0.38	projection	title		
A	T10-0002	J.H	1/7/10		.XX ± 0.25		MICRO USB B TYPE RECEPTACLE		
B	T10-0063	J.H	5/12/10	angles	.XXX ± 0.10		MM	product family	USB
					0° ± 2°	scale	size	dwg no	TWN
				dr	JASON HSU	5:1	A4	10104110	sheet
				enr	JASON HSU				1 of 1
				chr	GARY HSIEH				
				appd	JOSEPH HSIA				
sheet index	revision sheet	B	1						

cage code

ACAD

PDM: Rev:B

STATUS:Released

Printed: Jun 02, 2010