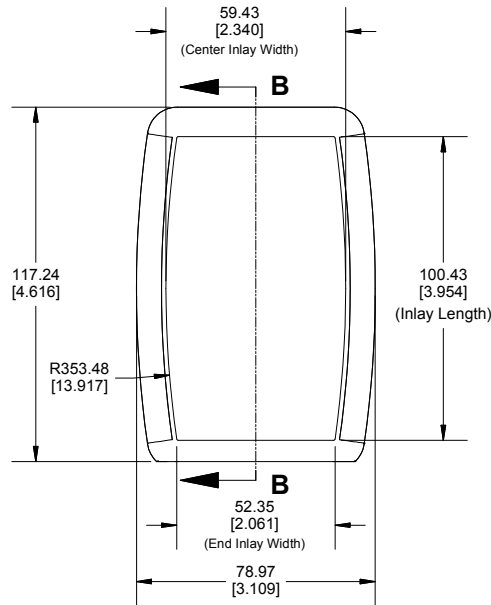
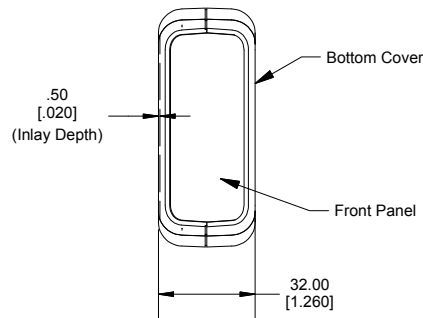


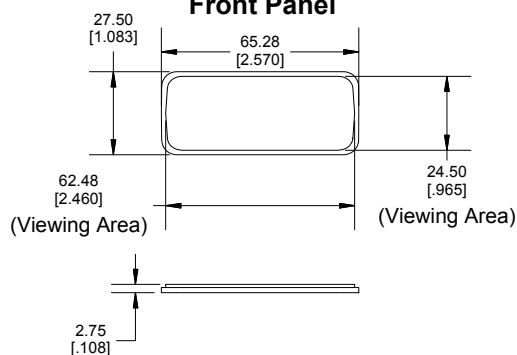
### Top View of Assembly



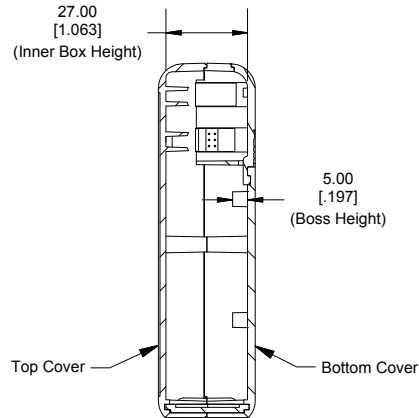
### End View of Assembly



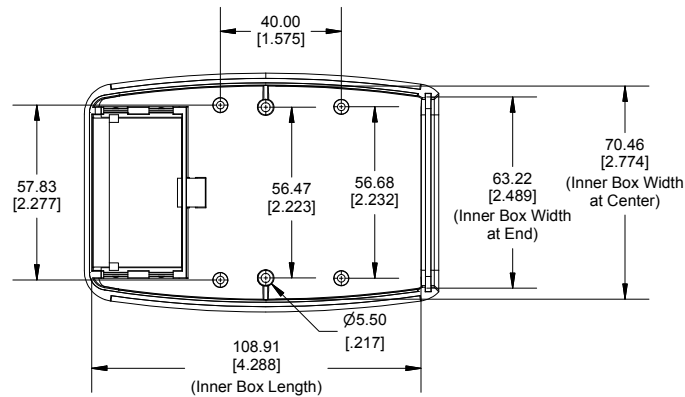
### Front Panel



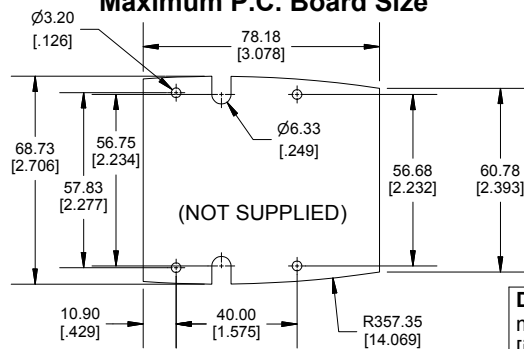
### SECTION B-B (Side View Inside Assembly)



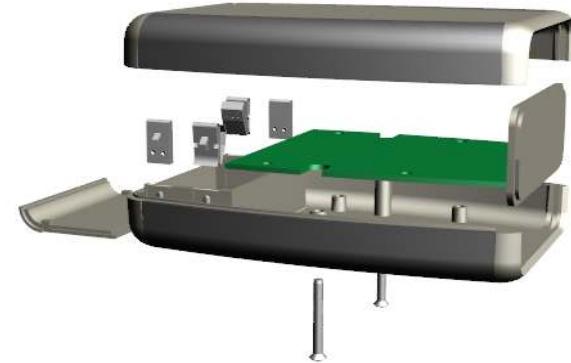
### Inside of Bottom Cover



### Maximum P.C. Board Size



Dimensions:  
mm  
[inches]



Enclosures can be Factory Modified ( Milling, Drilling, Printing etc.)  
Contact Factory [mjm@hammondmfg.com](mailto:mjm@hammondmfg.com) for quotes  
Solid models of this enclosure available in STEP or IGES.  
(Part number and text placement/orientation on our products are subject to change, we do not recommend using them as a locating reference for modification purposes)

NOTE	
Enclosure molded from GP ABS Plastic.	
Purchased assembly includes Top, Bottom, front plastic panel, Battery Door, battery spring clips (4 pcs), 9V adapter (1pcs) and 2 cover screws. (P.C. Board not supplied)	
<b>Recommended Cover screw torque -- 2.5 lbf-in (30 cN-m)</b>	

PART NUMBER	
1553C Battery Enclosure	
Black Enclosure/Grey Over-mold	1553CBKBAT
Grey Enclosure/Grey Over-mold	1553CGYBAT
ACCESSORIES	
Oval Head Cover Screws Self-Tapping (Pkg 100) [#4 X 1" (25.4mm)]	SC1553C100 (Silver) SC1553C100BK (Black)
P.C. Board Self Tapping Screw [#4 X 1/4" (6.4mm) Plated]	1593ATS50 (Pkg 50) 1593ATS100 (Pkg 100)
Belt or Pocket Clip	1599CLIP (Black) 1599CLIPGY (Grey)
9V Battery Kit	BS61
AA Battery Clip Kit (4 positive and 4 Negative)	1553HDR-BKIT

**HAMMOND MANUFACTURING®**

**1553CBAT**

[www.hammondmfg.com](http://www.hammondmfg.com)