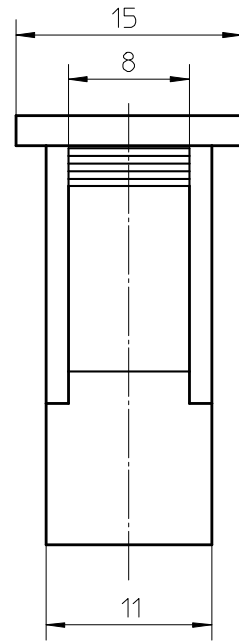
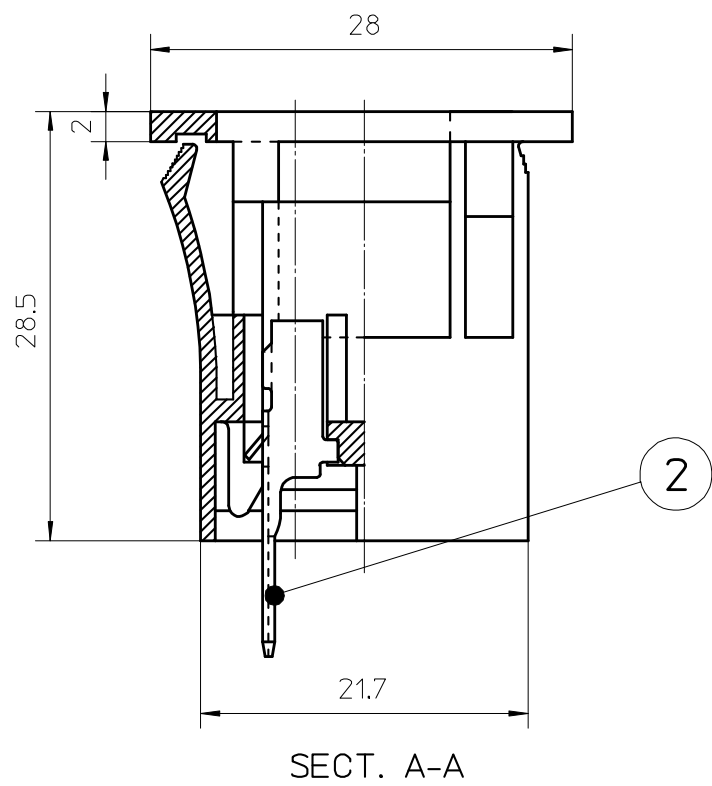
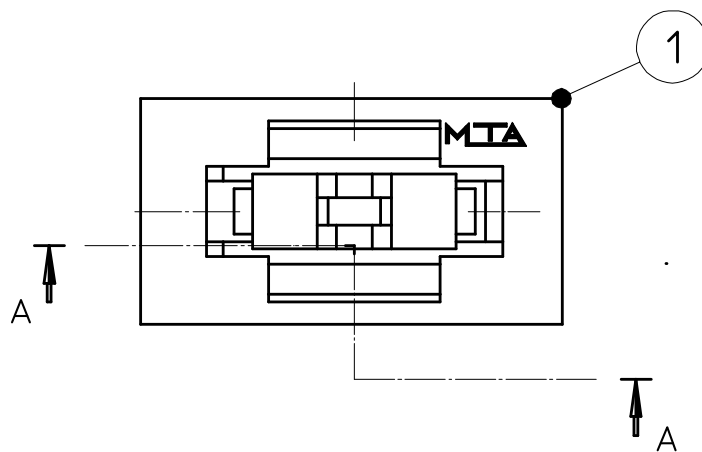
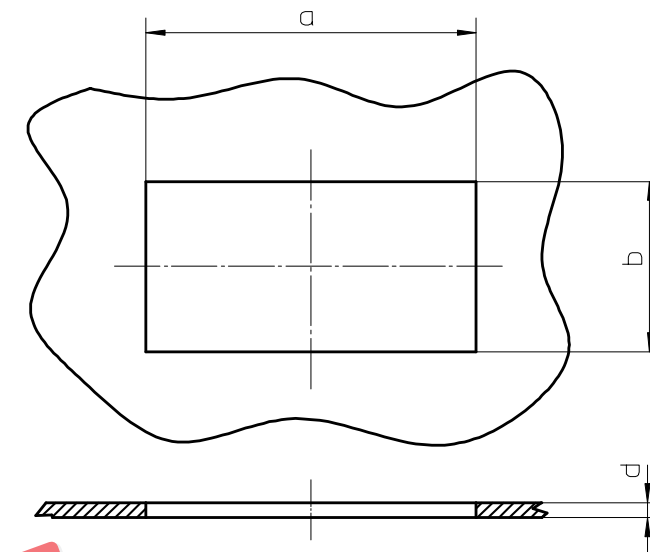


All proprietary rights reserved by MECCANOTECNICA CODOGNESE S.p.A. - This drawing shall not be reproduced, or in any way utilized, for the manufacture of the component or unit herein illustrated and must not be released to other parties, without written consent. Any infringement will be legally pursued.



FUSEHOLDER HOUSING DIMENSIONS

d	a	b
0.8	21.9	$11.3 \begin{smallmatrix} +0.3 \\ -0 \end{smallmatrix}$
1.0	22.0	
1.5	22.1	
2.0	22.2	



OPERATING FEATURES

FEATURE	UNIT	VALUE
V max	V	32 *
T. min - T. max	°C	-40 / +100
IP	IEC 529	20
I Continuous	A	20

\* 96V FUSE HOLDER ONLY

ONLY FOR REFERENCE

2	2	TERMINAL	CuSn - Tin Plated			
1	1	BODY	PA 66-GF25 - BLACK COLOR			
Pos.	Q.ty	DENOMINATION		MATERIAL		
		<b>MTA</b> auto electric systems		MTA P/N	03.00330	Denom. FUSE HOLDER UNIVAL INSERTABLE
				Draw No.	B0-100.E10A	
Rel. Level		APPROVED		Draw for	CLIENT	
		Date	Name	Scale	Weight(g)	Lin.Tol.±
		15/11/2004	S.BEDUSCHI	2:1		0.5
		30/11/2004	R.GONZALEZ	A3	Dimensions in (mm)	Ang.Tol.± 1
		30/11/2004	M.CORBANI			
				Sheet	1/1	
				Material	SEE TABLE	
				Coating		
				Color	BLACK	
				Thick.	Width	

No.	Reason for Revision	Date	Name