

10/100Base-TX RJ45 Connector With Integrated Magnetics(Tab-Down)

Trxcom Technology In

※Designed to support applications, such as SOHO (ADSL modems), LAN-on-Motherboard (LOM), Hub and Switches.

※1x1 Tab-DOWN RJ45 with internal magnetics

※Available with or without LEDs

※Meets or exceeds IEEE 802.3 standard for 100Base-T

※350uH minimum OCL with 8 mA bias current

※For RoHS part add suffix NL

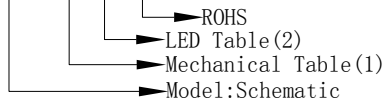
※RoHS"NL" peak solder rating 235°C



Electrical Specifications @25°C --- Operating Temperature 0°C to +70°C

Part Number	Turns Ratios		Insertion Loss (dB TYP) 1-65 MHz	Return Loss (dB TYP) 100Ω±15Ω				Crosstalk (dB TYP)			Common Mode Rejection (dB TYP)		Hipot (Vrms) @ 60Hz 1 MIN
	TX	RX		1-10 MHz	10-30 MHz	30-60 MHz	60-100 MHz	1-30 MHz	30-60 MHz	60-100 MHz	1- 50 MHz	50-150 MHz	
TRJ0006	1CT:1	1CT:1	-1	-20	-16	-12	-10	-40	-35	-30	-30	-20	1500
TRJ0011	1CT:1	1CT:1	-1	-20	-16	-12	-10	-40	-35	-30	-30	-20	1500
TRJ0012	1CT:1	1CT:1	-1	-20	-16	-12	-10	-40	-35	-30	-30	-20	1500
TRJ0018	1CT:1.4	1CT:1T	-1	-20	-16	-12	-10	-40	-35	-30	-30	-20	1500
TRJ0024	1CT:2	1CT:1	-1	-20	-16	-12	-10	-40	-35	-30	-30	-20	1500
TRJ0026	1CT:1	1CT:1	-1	-20	-16	-12	-10	-40	-35	-30	-30	-20	1500
TRJ0033	1.25CT:1	1CT:1	-1	-20	-16	-12	-10	-40	-35	-30	-30	-20	1500
TRJ0035	1CT:1	1CT:1	-1	-20	-16	-12	-10	-40	-35	-30	-30	-20	1500
TRJ0048	1CT:1	1CT:1	-1	-20	-16	-12	-10	-40	-35	-30	-30	-20	1500
TRJ0073	1CT:2.5	1CT:1	-1	-20	-16	-12	-10	-40	-35	-30	-30	-20	1500

NOTE: TRJ XXXX X X NL



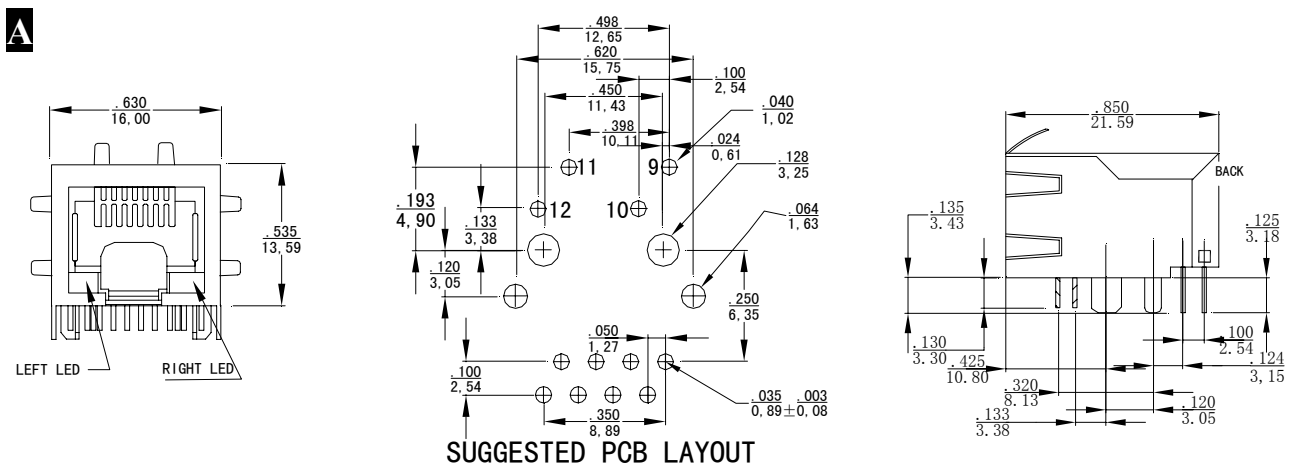
(2)LED Ordering Options:

(1)TRJ Series Mechanical:

A.	With Staggered Led Footprint and EMI-Finger
B.	With Staggered Led Footprint and Non EMI-Finger
C.	Without Led,with EMI-Finger
D.	Without Led and EMI-Finger
E.	With Inline Led Footprint and EMI-Finger(4.90)
F.	With Inline Led Footprint and Non EMI-Finger(4.90)
G.	With Inline Led Footprint and EMI-Finger(4.06)
H.	With Inline Led Footprint and Non EMI-Finger(4.06)

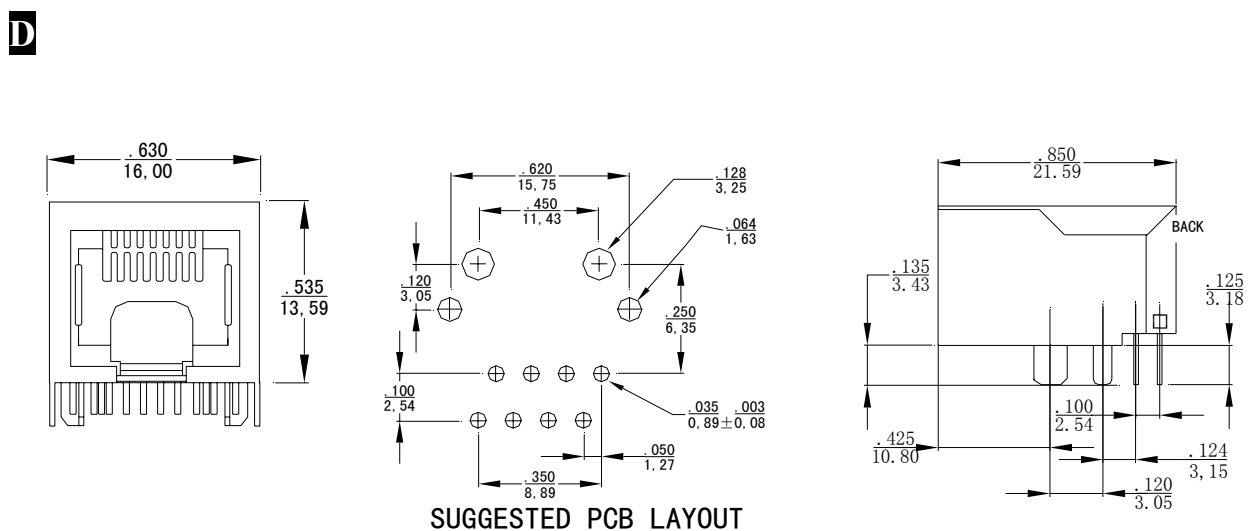
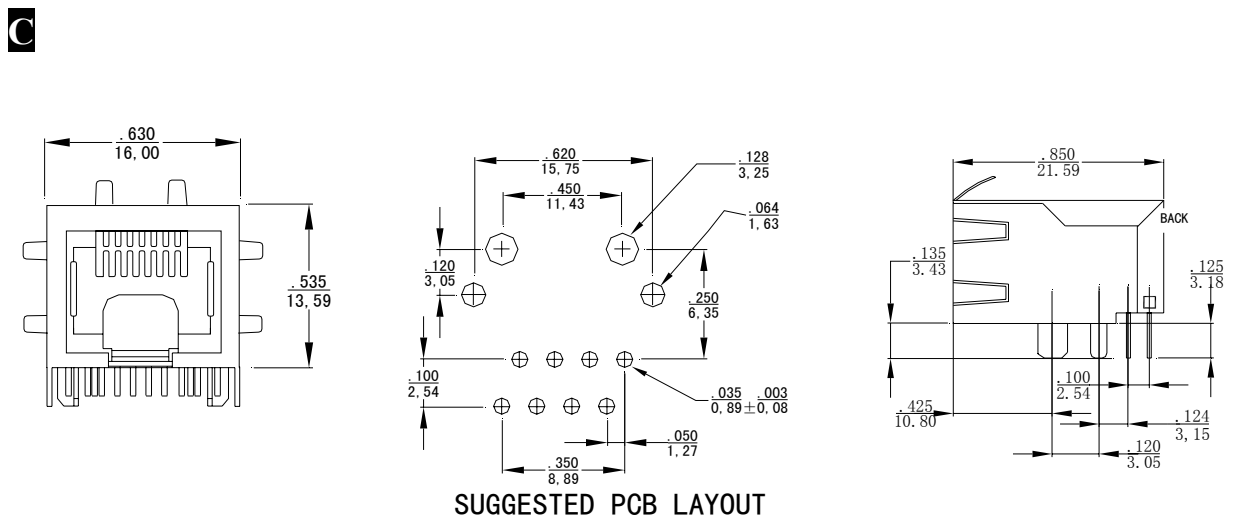
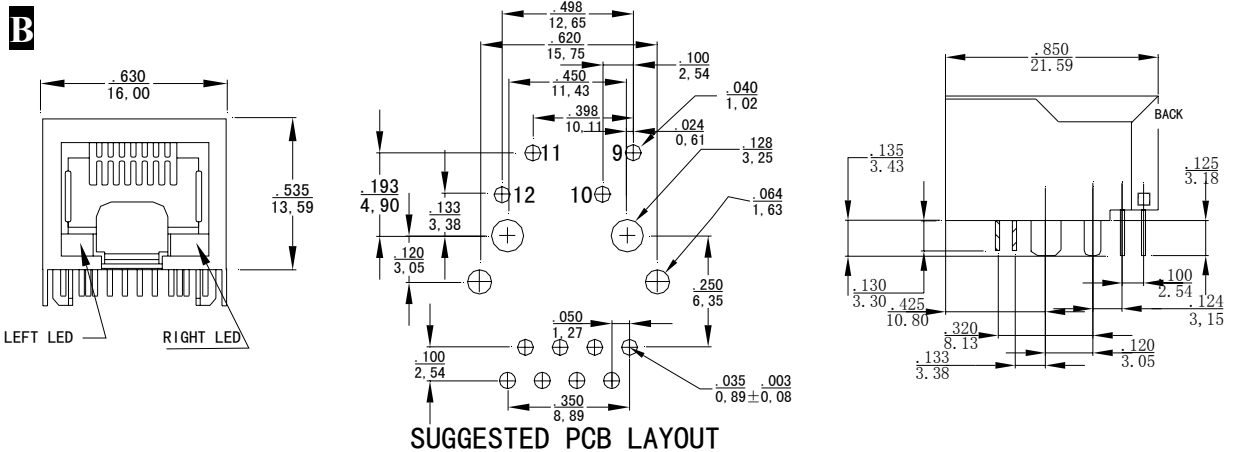
LED Code	LED COLOR		LED POLARITY
	LEFT	RIGHT	
A	Y	G	9°
B	G	Y	10°
C	G	G	12°
D	Y	G	11°
E	G	Y	9°
F	G	Y	10°
G	G	G	11°
H	Y	G	12°
W	G	G	9°

Mechanical



10/100Base-TX RJ45 Connector With Integrated Magnetics (Tab-Down)

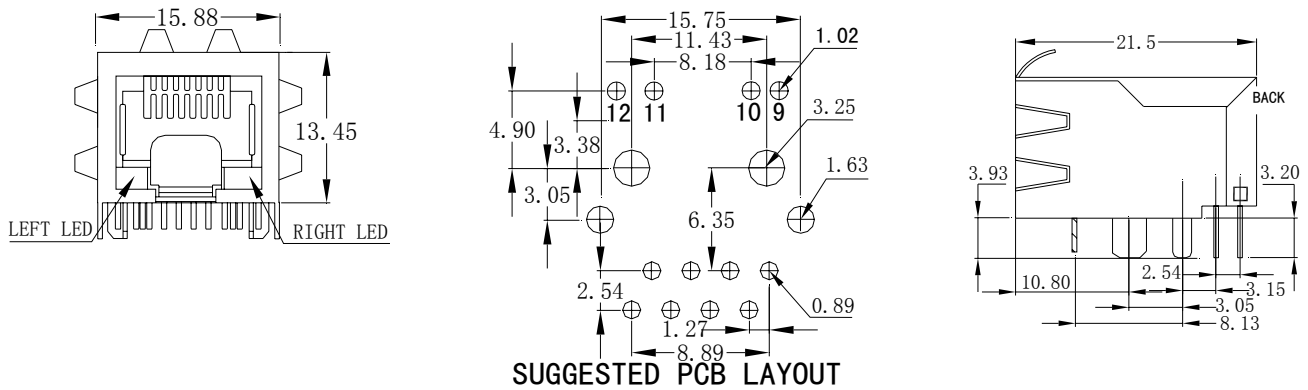
Trxcom Technology Inc



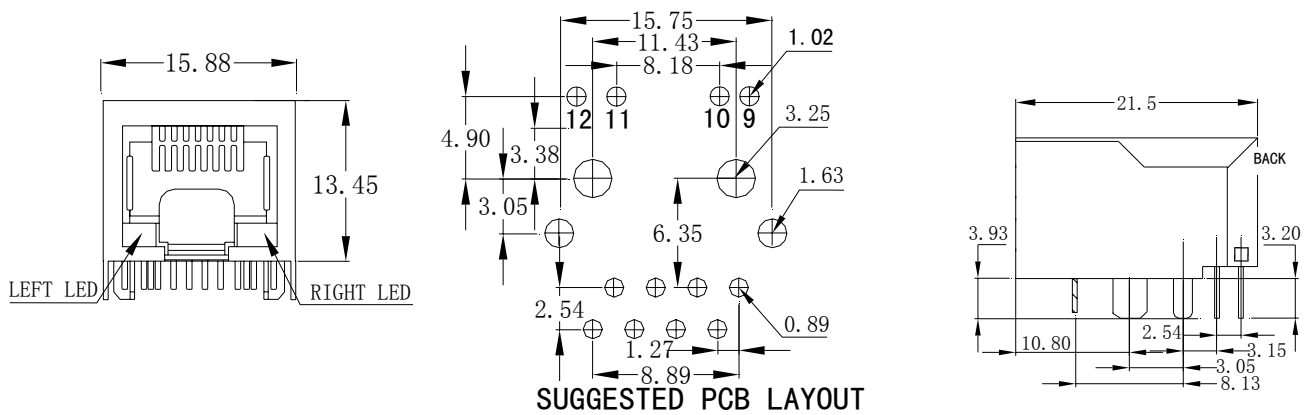
10/100Base-TX RJ45 Connector With Integrated Magnetics(Tab-Down)

Trxcom Technology Inc

E



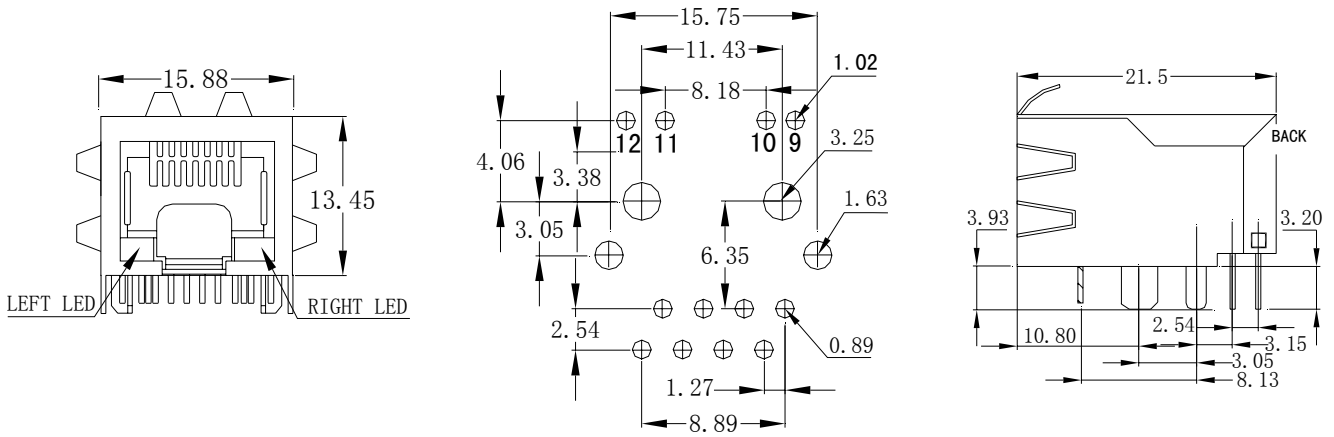
F



10/100Base-TX RJ45 Connector With Integrated Magnetics(Tab-Down)

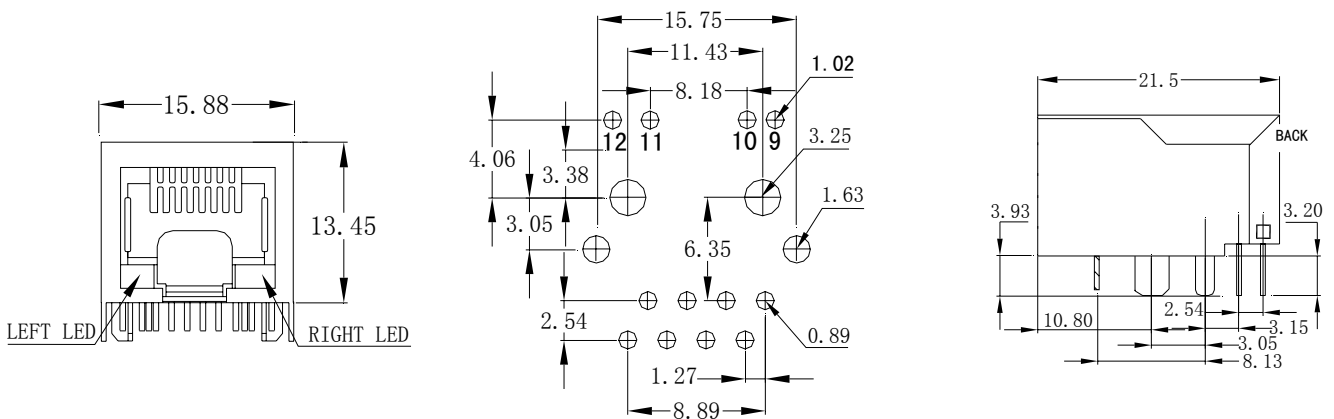
Trxcom Technology Inc

G



SUGGESTED PCB LAYOUT

H



SUGGESTED PCB LAYOUT

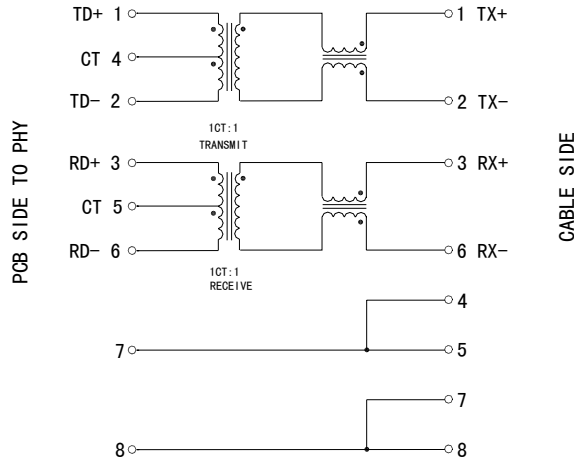
Dimensions: Inch/mm
 Unless otherwise specified,
 all tolerances are $\pm 0.25^{.010}$

10/100Base-TX RJ45 Connector With Integrated Magnetics (Tab-Down)

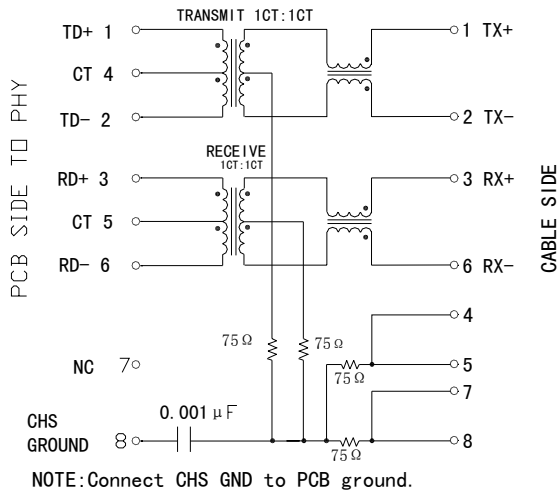
Trxcom Technology Inc

Schematics

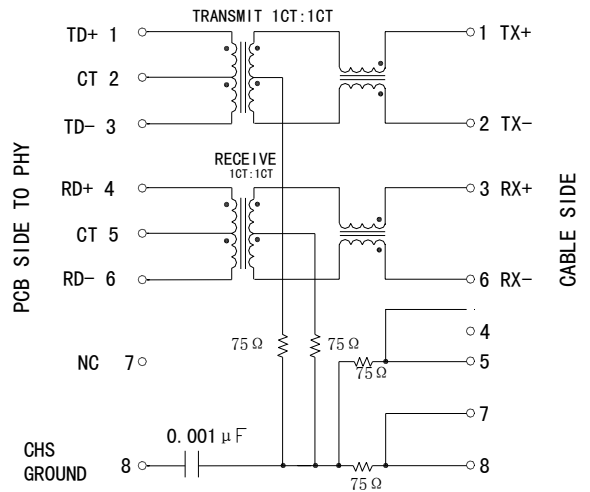
TRJ0006



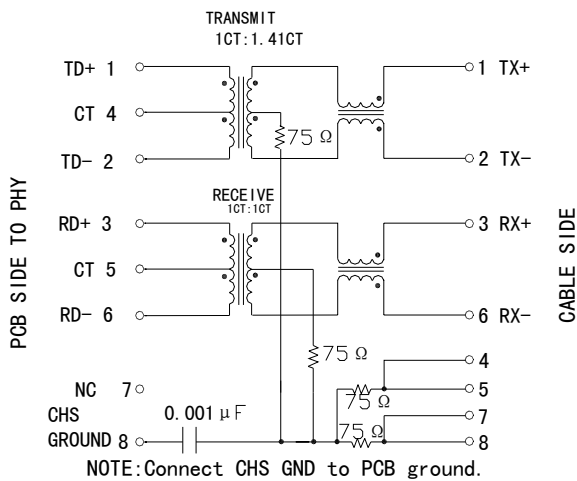
TRJ0011



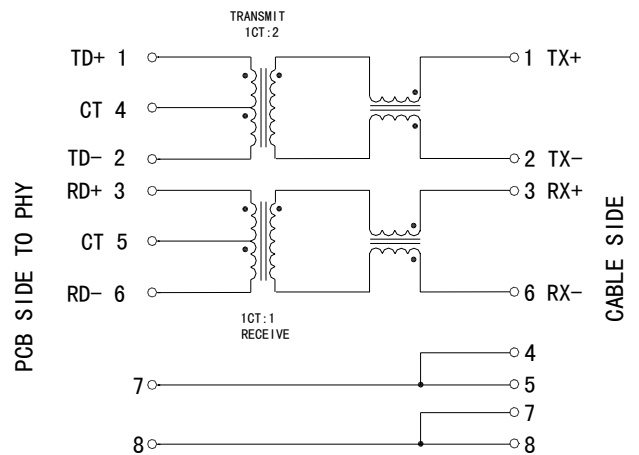
TRJ0012



TRJ0018



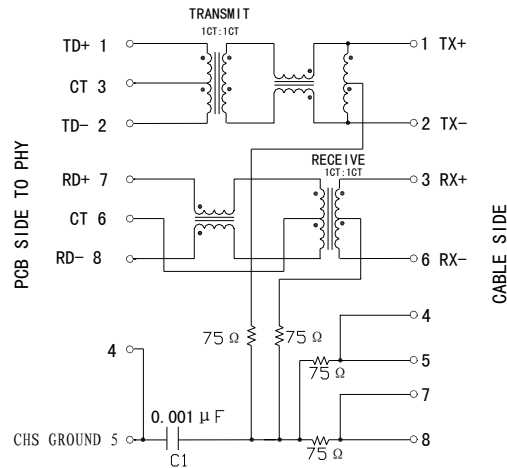
TRJ0024



10/100Base-TX RJ45 Connector With Integrated Magnetics (Tab-Down)

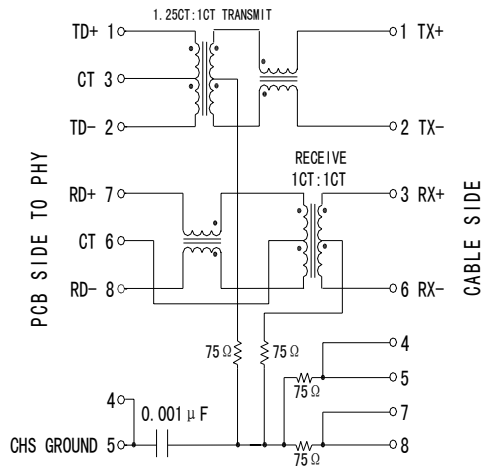
Trxcom Technology Inc

TRJ0026

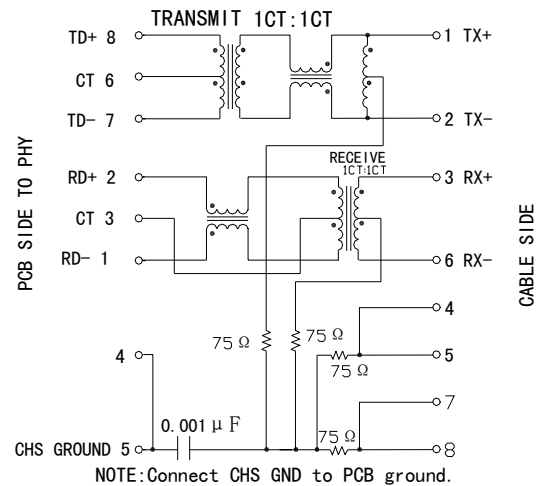


NOTE: Connect CHS GND to PCB ground.

TRJ0033

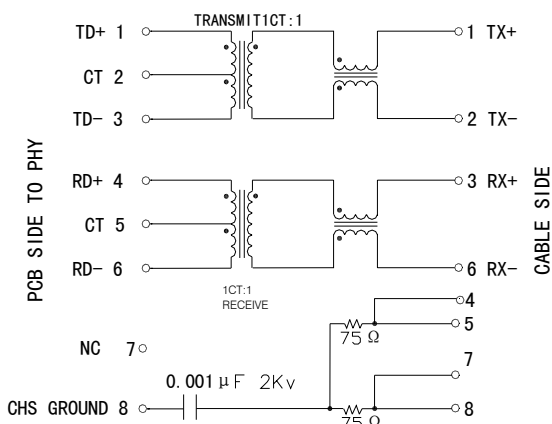


TRJ0035



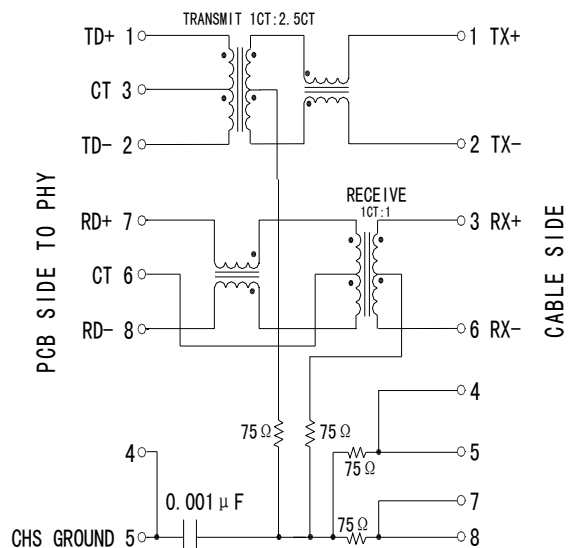
NOTE: Connect CHS GND to PCB ground.

TRJ0048



NOTE: Connect CHS GND to PCB ground.

TRJ0073



NOTE: Connect CHS GND to PCB ground.