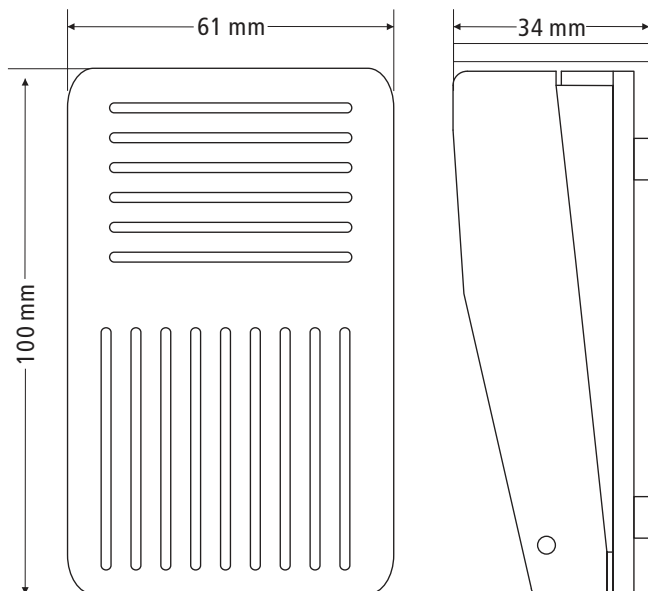
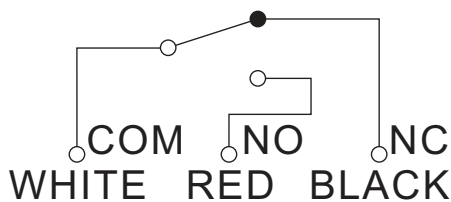


Best. Nr. 421 214

Single Pedal Foot Switch

250V/AC, 10A



Specification

Housing material: Plastic

Color: Black

Contact type: SPDT

Switch type: Momentary OFF/(ON)

Dimension: Approx. 100 x 61 x 34mm

Weight: Approx. 133g

Cable length: 1 meter

Voltage rating: 250 V/ AC max.

Current rating: 10 A max.

Insulation resistance: >100Mohm

Contact resistance: <25mohm

Operating temperature: -20 ~ 70°C

Operating humidity: >85%RH

Operating life: >10,000 cycles