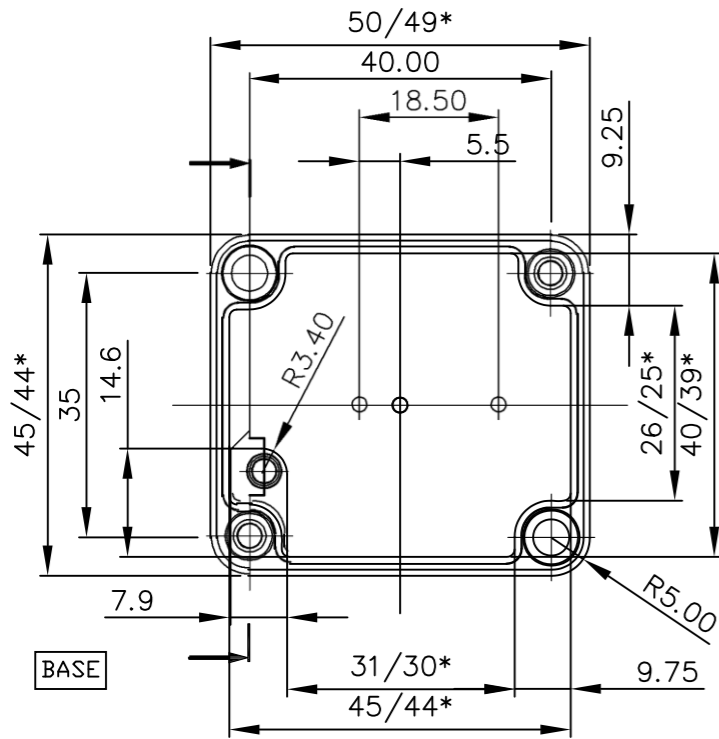
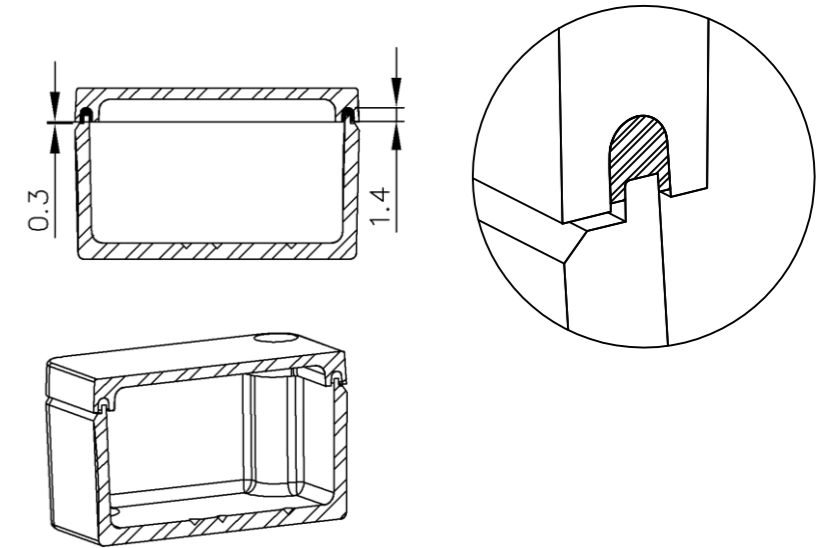
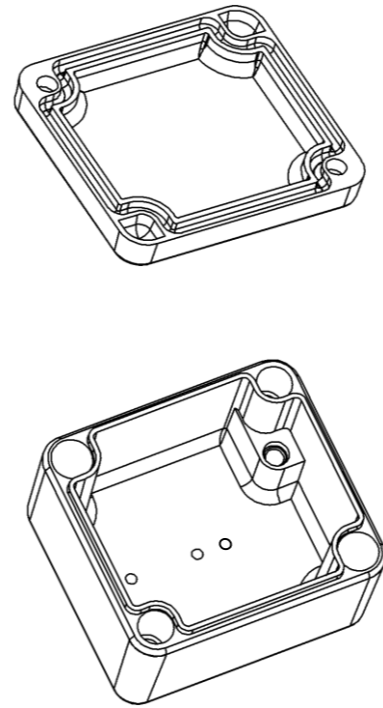
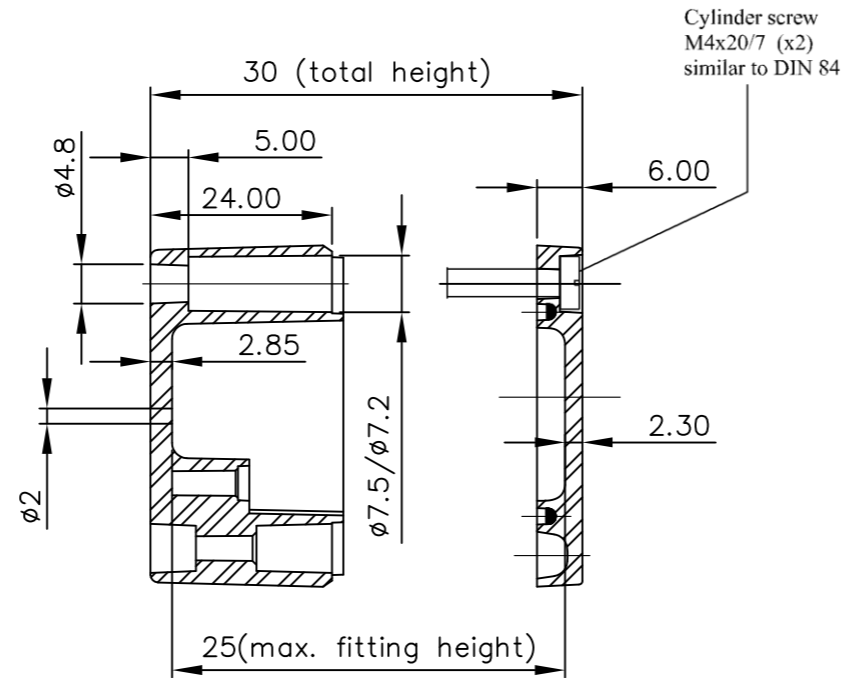


LID



BASE



Cylinder screw  
M4x20/7 (x2)  
similar to DIN 84

\* = Conical form tapering downwards  
Free dimensions • tolerance to GTA 13/5 DIN 1688

ENCLOSURE/BOX MEETS THE REQUIREMENTS OF  
IS/IEC 60529:2001  
OR  
EN 60529  
FOR IP 68 SEVERITY

TOLERANCE				COMPONENT		DRAWN BY		DATE	
				ENCLOSURE/BOX				17-07-2009	
SCALE				ROUGHNESS		CHECKED BY		DATE	
1:1						-		0-0-00	
						DRG.NO.			
MATERIAL				ALUMINIUM		SH.NO.		NO.OF SHEETS	
						00		00	