



### Series PNZ - Feature

- Closed version
- Both side setting, insulated slider
- Linear or logarithmic resistance law
- Resistance tolerance:
  - ±20% for value  $R \leq 1M\Omega$
  - ±30% for value  $R > 1M\Omega$
- On special request closer tolerances are available
- Mechanical endurance 10000 cycles

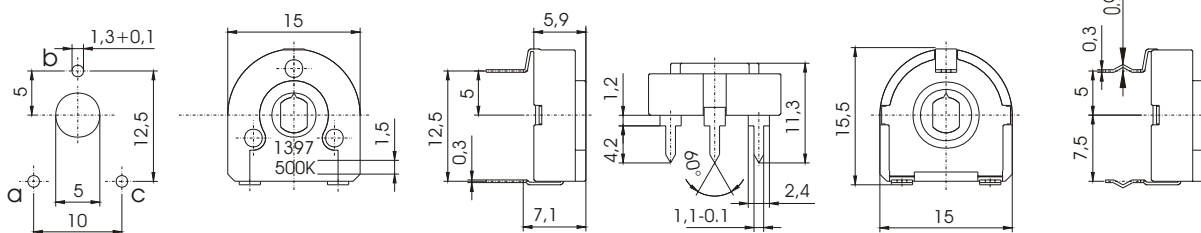
## Printed Circuits Types / Ser. PNZ / 15mm

### Tehnickal data

Rated dissipation at $\vartheta_{amb} = 40^\circ C$	lin 0.25W / log 0.12W
Resistance value range	lin 100 $\Omega$ to 5M $\Omega$ / log 2.2K $\Omega$ to 2.5M $\Omega$
Maximum voltage	lin 300V dc / log 200V dc
Electric angle of rotation	250° ± 20°
Mechanical angle of rotation	265° ± 5°
Operating torque	4 to 25 mNm
End stop torque	≥ 100 mNm
Weight	1.3 g approx.

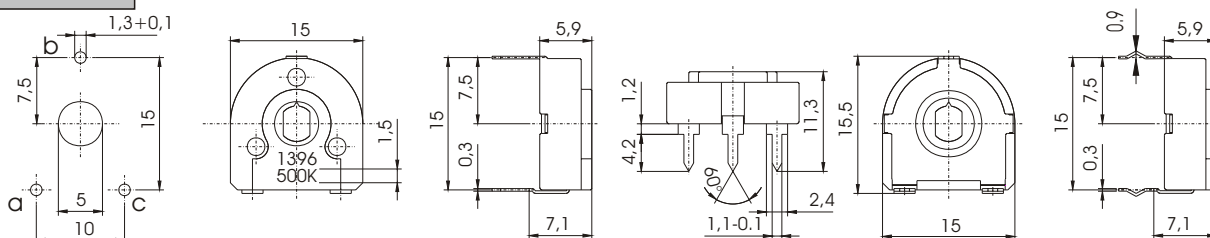
### PNZ14D

"snap-in" version



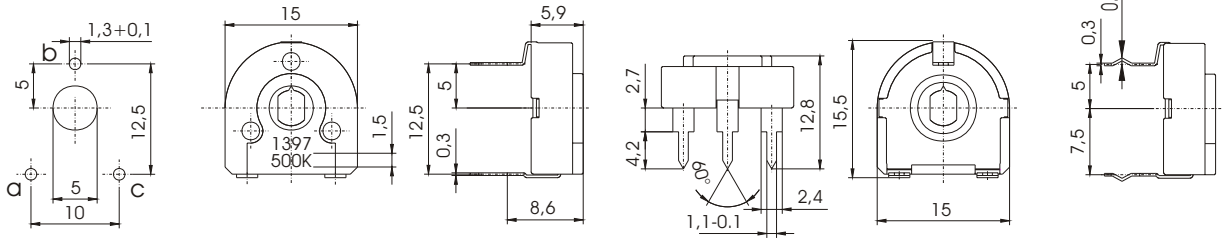
### PNZ14DE

"snap-in" version



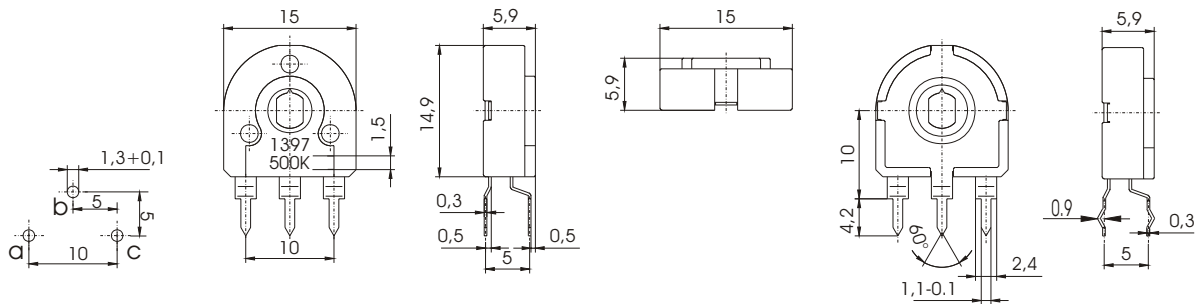


## PNZ14DL



"snap-in" version

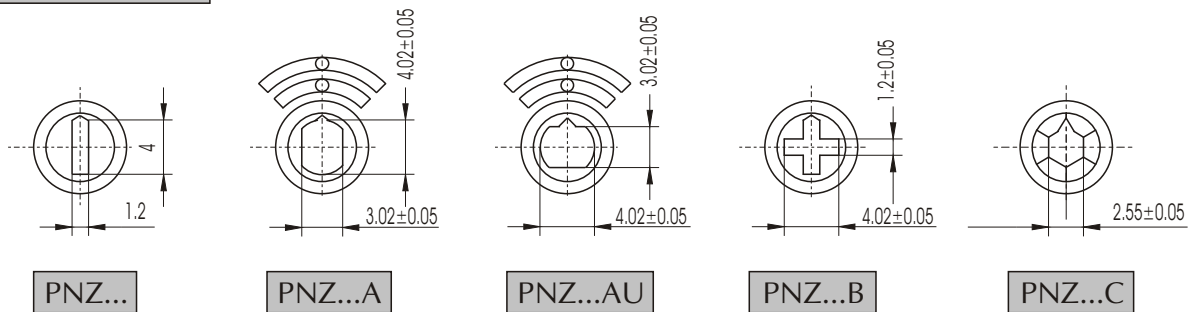
## PNZ15E



"snap-in" version

## Accessories / Ser. PNZ/ 15 mm

### ADJUSTMENT SLOT



## Ordering Example / Ser. PNZ / 15 mm

### PNZ14D

POT SERIE
PNZ14D
PNZ14DE
PNZ14DL
PNZ15E

### A

ADJUSTMENT SLOT
-----------------

### X

'snap in' VERSION

### G

VERSION
R= SHAFT
RO=SHAFT ON COLLECTOR SIDE
G=THUMBWHELL

### F

VERSION
F= 10000 DOUBLE ROTATIONS

### 100K

VALUE

### 2

LAW OF VARIATION
LIN
2 = LOGARIT.
3 = ANTILOG.
4 = SPECIAL