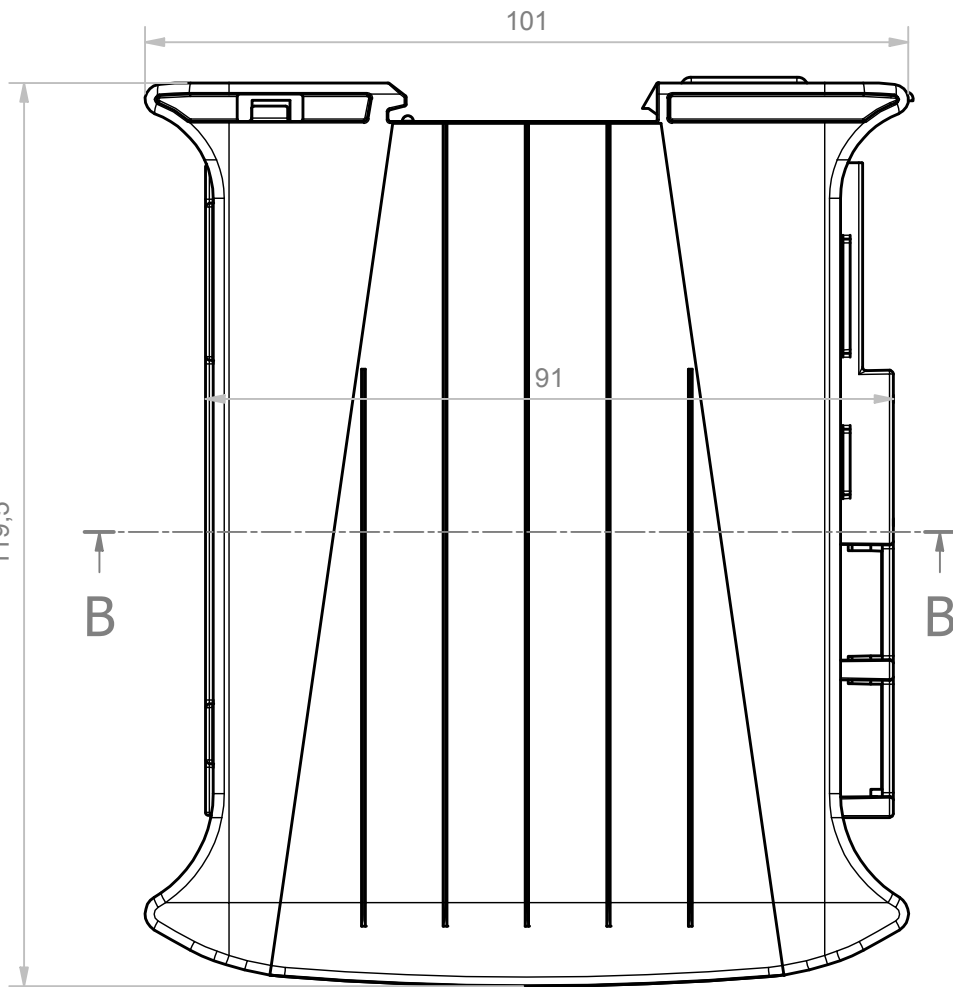
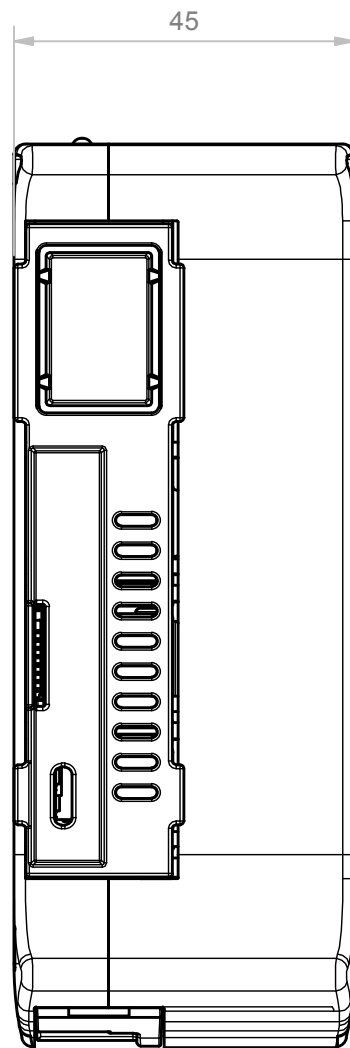
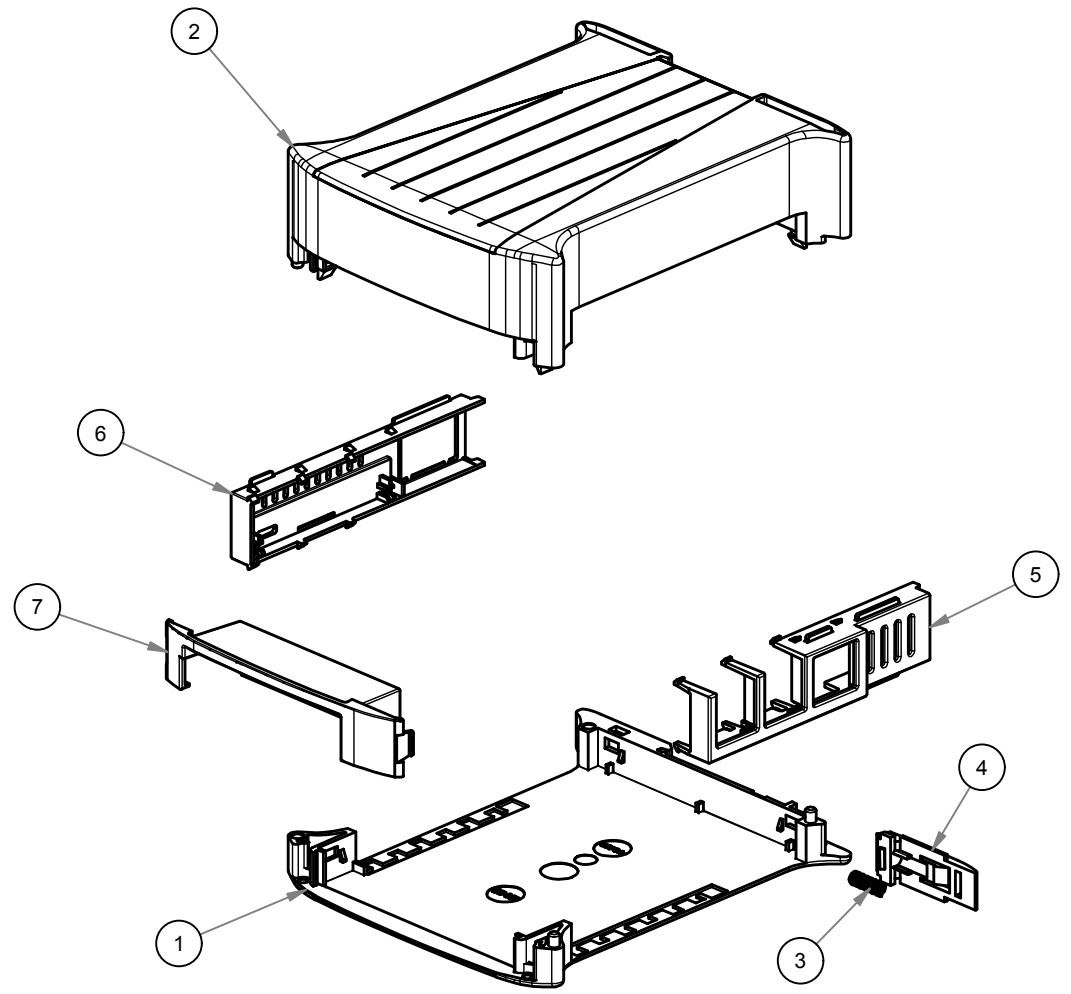
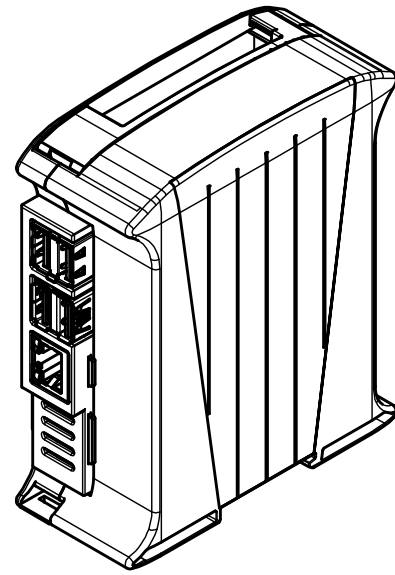
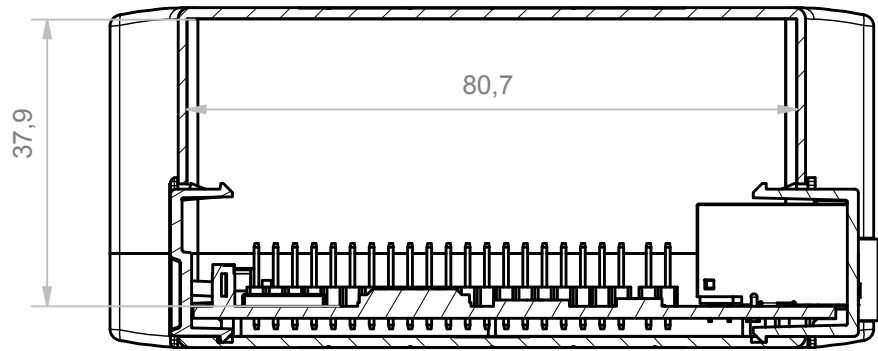


B-B (1:1)



RIF.	Q.TY	DESCRIPTION	DRAWING
1	1	BASE RAILBOX 12.5 MM 3L	2_110_00033
2	1	COVER RAILBOX PLUG&FIX 32.5 MM	2_110_00038
3	1	SPRING FOR HOOK RAILBOX	2_110_00011
4	1	HOOK RAILBOX	2_110_00032
5	1	ACCESSORY LEFT FOR RAILBOX RASPBERRY PI 4	2_110_00035
6	1	ACCESSORY RIGHT FOR RAILBOX RASPBERRY PI 4	2_110_00036
7	1	FRONT PANEL FOR RAILBOX RASPBERRY PI 4	2_110_00037

General Tolerance UNI EN 22768/1 Media (m)				
from 0.5 to 3	from 3 to 6	from 6 to 30	from 30 to 120	from 120 to 400
± 0.1	± 0.1	± 0.2	± 0.3	± 0.5

Scale: 1:1	Sheet nr.: 1/1	Drawn: R.N.	Checked: R.N.	Date: 03/02/2020	Revision description
------------	----------------	-------------	---------------	------------------	----------------------

Material:	Weight:	Cod. Mold:
-----------	---------	------------

 enclosures for electronics italtronic.com	Description:	KIT 45 RAILBOX RASPBERRY PI 4 KIT 45 RAILBOX RASPBERRY PI 4
	Drawing nr.	3_050_00037

RESERVED PROPERTY: The present drawing cannot be reproduced or communicated to 3rd parties, even partially, without the authorization of ITALTRONIC Srl. Italtronic reserves to protect its own rights according to the law.