

# .100" (2.54 mm) Universal DIP Sockets



- For DIP's with .100" (2.54 mm) lead spacing
- Extra wide contact zone allows insertion of DIP's with distance between rows from .300" (7.62 mm) through .600" (15.24 mm)
- Lever actuated zero insertion force mechanism
- Socket contact point of .090" (2.29 mm) below top surface of socket

Date Issued: February 20, 2001

TS-0392-10  
Sheet 1 of 2

13

---

## Physical

### Insulation

Material: Glass Filled Polysulfone

Flammability: UL 94V-0

Color: Green

**Marking:** 3M Logo & Part Number Identifier

### Contact

Material: Beryllium Copper

Plating: 30  $\mu$ " (0.76  $\mu$ m) Gold over 50  $\mu$ " (1.3  $\mu$ m) Nickel

---

## Electrical

**Current Rating:** 1 Amp

**Insulation Resistance:**  $> 1 \times 10^9 \Omega$  at 500 Vdc

**Withstanding Voltage:** 1000 Vrms at Sea Level

---

## Environmental

**Operating Temperature Rating:** - 55 $^{\circ}$ C to +150 $^{\circ}$ C

---

## Mechanical

When used as a test socket at room temperature 24 $^{\circ}$ C the socket will last 20,000 actuations.

---

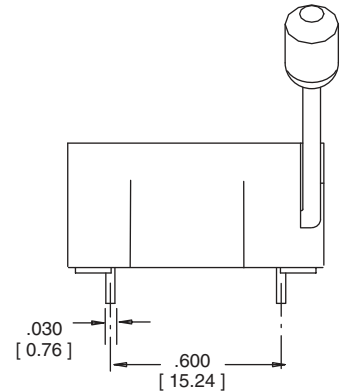
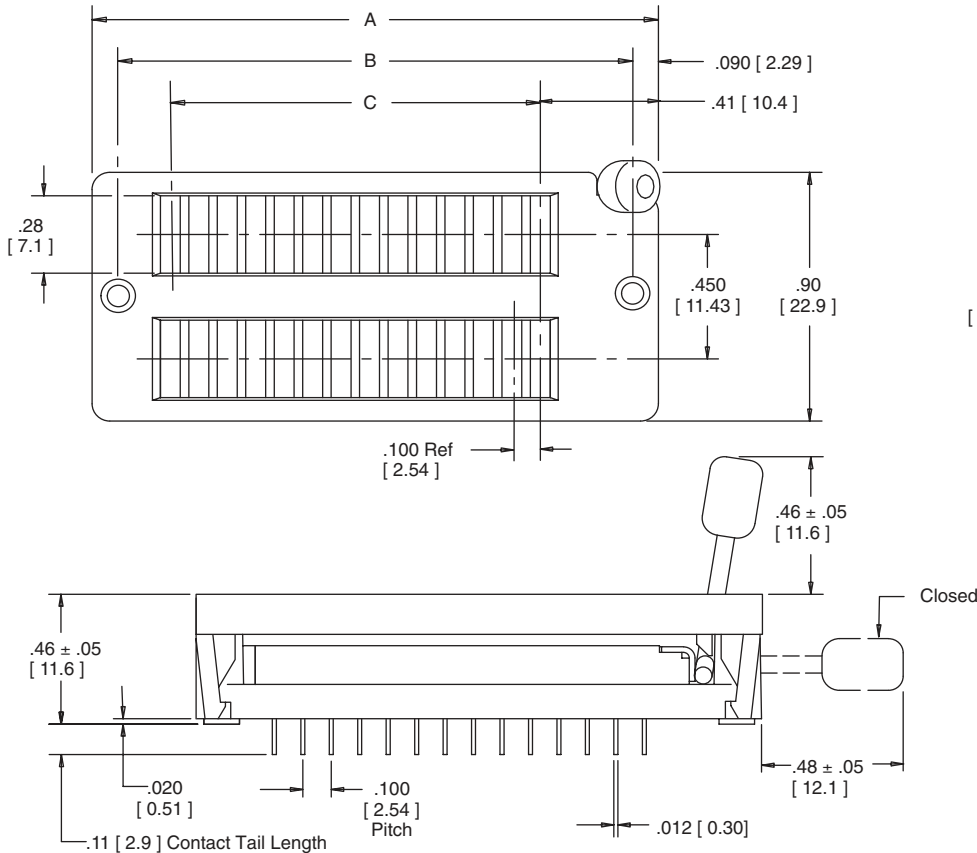
### 3M Electronic Handling and Protection Division

6801 River Place Blvd.  
Austin, TX 78726-9000

For technical, sales or ordering information call **800-328-0411**  
or visit our website: <http://www.3M.com/ehpd>

# .100" (2.54 mm) Universal DIP Sockets

Contact Quantity	Dimensions		
	A	B	C
24	1.77 [ 45.0 ]	1.61 [ 40.9 ]	1.100 [ 27.94 ]
28	1.99 [ 50.5 ]	1.81 [ 46.0 ]	1.300 [ 33.02 ]
32	2.19 [ 56.6 ]	2.01 [ 51.1 ]	1.500 [ 38.10 ]
40	2.59 [ 65.8 ]	2.41 [ 61.2 ]	1.900 [ 48.26 ]
42	2.69 [ 68.2 ]	2.51 [ 63.8 ]	2.000 [ 50.80 ]



Dimension	Tolerance $\frac{\text{inch}}{\text{(mm)}}$	
	$\frac{.00}{(.0)}$	$\frac{.000}{(.00)}$
Tolerance	$\pm \frac{.010}{(\pm .25)}$	$\pm \frac{.005}{(\pm .13)}$

1 .12 [ 3.0 ] Contact Tail Length applies only on 42 position socket.

## Ordering Information

Socket Part Number	Contact Quantity	Mating Receptacle Part Number
224-1286-00-0602J	24	224-1275-XX-0602J
228-1371-00-0602J	28	228-1277-XX-0602J
232-1287-00-0602J	32	232-1285-XX-0602J
240-1288-00-0602J	40	240-1280-XX-0602J
242-1289-00-0602J	42	242-1281-XX-0602J

Contact Tail Length:  
 XX = 09 Solder Tail .13 [ 3.3 ] w/ flanges  
 = 19 Wire Wrap Tail .62 [ 15.8 ] w/ flanges  
 = 29 Solder Tail .13 [ 3.3 ] w/out flanges  
 = 39 Wire Wrap Tail .62 [ 15.8 ] w/out flanges

TS-0392-10  
 Sheet 2 of 2

## 3M Electronic Handling and Protection Division

6801 River Place Blvd.  
 Austin, TX 78726-9000

For technical, sales or ordering information call 800-328-0411  
 or visit our website: <http://www.3M.com/ehpd>