

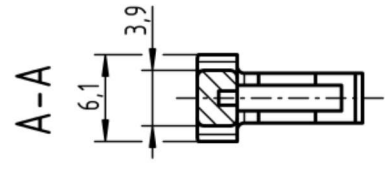
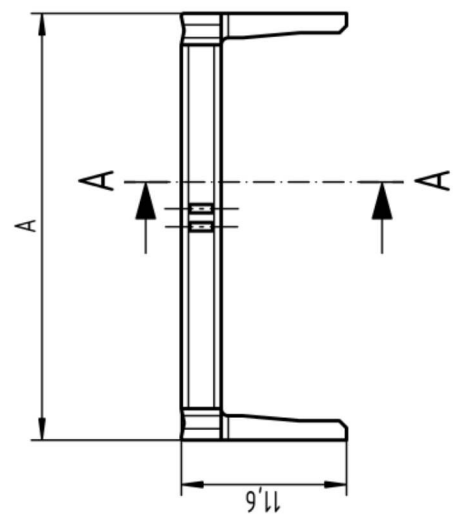
1 2 3 4 5 6

A

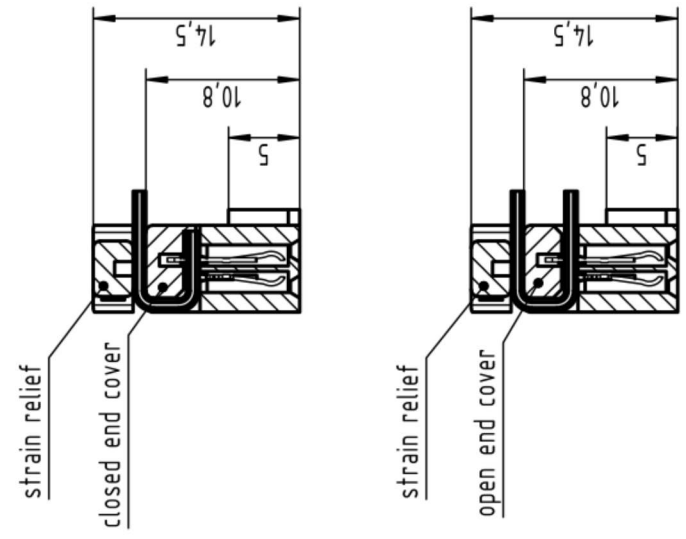
B

C

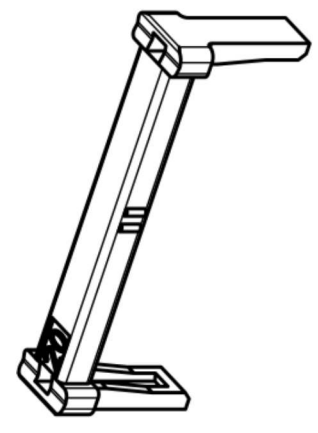
D




assembled



full range of P/N's and dimensions shown on page 2/2



	All Dimensions in mm Original Size DIN A4	Scale 2:1	Free size tol. IEC 60603-13	Ref. Sub.
	All rights reserved Department EC PD - DE	Created by STORCK	Inspected by LEHNERT	Date 2016-06-14
HARTING Electronics GmbH D-32339 Espelkamp	Title <b>SEK 18 strain relief</b>		Standardisation HOFFMANN	State Final Release
Type <b>TB</b>			Number <b>09185XX9002</b>	Doc-Key / ECM-Nr. 100631528/UGD/001/A 50000105326
Rev. <b>A</b>				Page 1/2

	1	2	3	4					
A									
B				dimension					
	no. of contacts	part number	remark	A					
	06	09 18 506 9002	-	12,2					
	10	09 18 510 9002		17,3					
	14	09 18 514 9002		22,4					
	16	09 18 516 9002		24,9					
	20	09 18 520 9002		30,0					
	26	09 18 526 9002		37,6					
	30	09 18 530 9002		42,7					
	34	09 18 534 9002		47,8					
C	40	09 18 540 9002		55,4					
	50	09 18 550 9002		68,1					
	60	09 18 560 9002		80,8					
	64	09 18 564 9002		85,9					
	06	09 18 506 9002 58U		bulk packaging - 5000 pieces	12,2				
	10	09 18 510 9002 58U			17,3				
	14	09 18 514 9002 58U	22,4						
	16	09 18 516 9002 58U	24,9						
	20	09 18 520 9002 58U	30,0						
	26	09 18 526 9002 58U	37,6						
D	30	09 18 530 9002 58U	bulk packaging - 3000 pieces	42,7					
	34	09 18 534 9002 58U		47,8					
	40	09 18 540 9002 58U		55,4					
E									
F	 All rights reserved Department EC PD - DE		Created by STORCK	Inspected by LEHNERT	Standardisation HOFFMANN	Date 2016-06-14	State Final Release	Title SEK 18 strain relief	Doc-Key / ECM-Nr. 100631528/UGD/001/A 500000105326
	HARTING Electronics GmbH D-32339 Espelkamp		Type TB	Number 09185XX9002		Rev. A	Page 2/2		