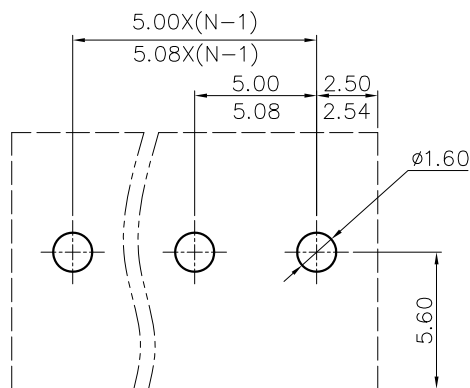
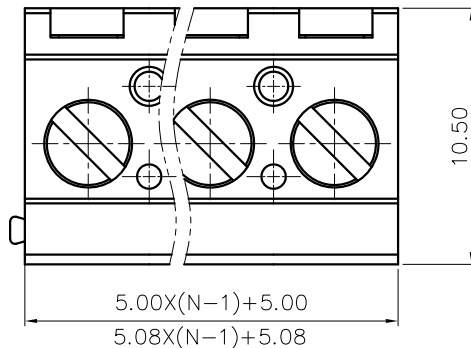


REVISION RECORD

| REV | ECN | DESCRIPTION | DRFT | DATE |
|-----|-----|-------------|------|------|
|-----|-----|-------------|------|------|



PCB LAYOUT



DG129 - 5.0/5.08 - XXP - 1Y - 00A (H)
 (Series No.) (Pitch) (Poles) (Single Pitch) (RoHS)
 00A-(Standard)
 (Color): 1.(Grey) 2.(Blue) 3.(Black) 4.(Green) 5.(Orange)
 6.(Red) 7.(Transparent) 8.(Yellow) 9.(White)

NOTES1:

UL Standard

1. Rated voltage/current : 300V / 20A
2. Torque value : M3 , 4.43Lb.in
3. Wire range : 26~12AWG

IEC Standard

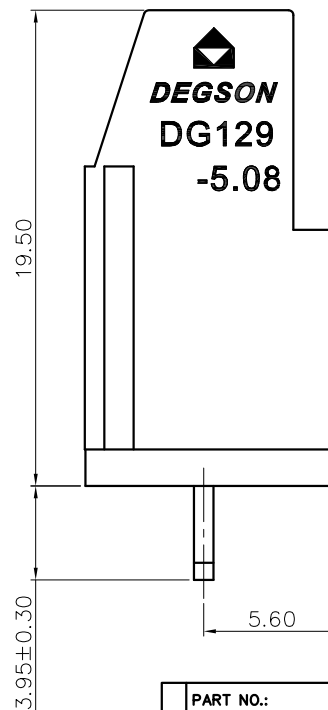
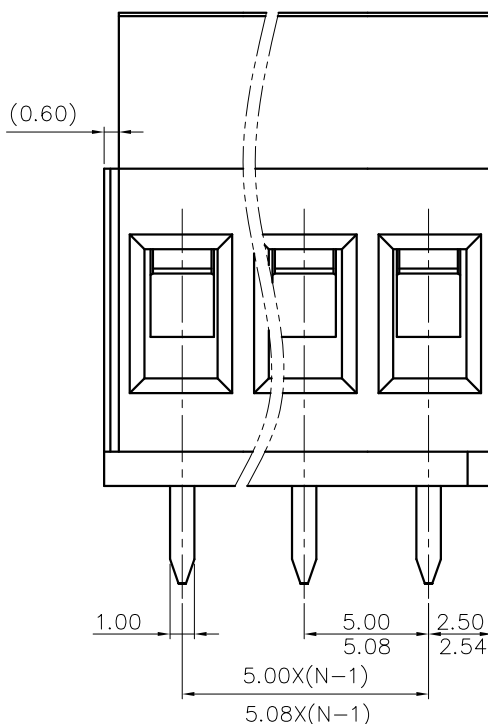
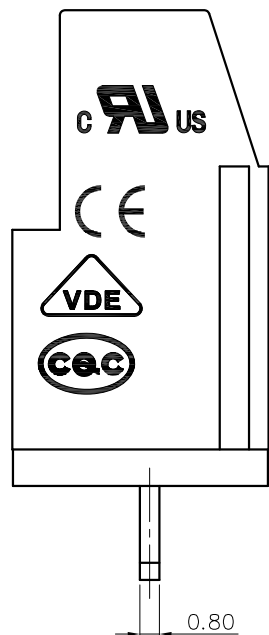
1. Rated voltage/current : 250V / 20A
2. Torque value : M3 , 0.5N·m
3. Wire range : 2.5/0.5~2.5mm²

NOTES2:

1. Dimension shall be interpreted per ASME Y14.5-2009
2. Pitch : 5.0/5.08mm, Poles : N=02~24P
3. Stripping length : 6~7mm
4. Withstanding voltage : AC2000V/1Min.
5. Operating temperature: -40°C~+105°C
6. Undimensioned tolerances:

| Pitch range in mm | | Nominal dimension range in mm | | | | | | ∓ | ∩ | ∠ |
|-------------------|--------------|-------------------------------|---------------|----------------|-----------------|----------|--------|-------|-----|---|
| TO 6 | Over 6 TO 10 | Over 10 TO 24 | Over 30 TO 60 | Over 60 TO 100 | Over 100 TO 150 | Over 150 | 0.1/10 | | | |
| | ±0.15 | ±0.20 | ±0.30 | ±0.30 | ±0.50 | ±0.70 | ±1.00 | ±1.30 | ±2' | |

7. RoHS Compliance



| | | | | | | | | | |
|----------------|------------------------|-----------|--------------|----------------------|---|---|-------|-----|----|
| DETACHED LISTS | PART NO.: | / | | | | 宁波高松电子有限公司 NINGBO DEGSON ELECTRICAL CO., LTD | | | |
| | APPD: | / | | | | NAME: DG129-5.0/5.08-XXP-1Y-00A(H) | | | |
| | CHKD: | / | | | | | | | |
| | DRFT: | / | | | | TITLE: CUSTOMER DRAWING | | REV | DO |
| | THIRD ANGLE PROJECTION | | DRAWING NO.: | | / | | SHEET | 1/1 | |
| | | MM (INCH) | | DO NOT SCALE DRAWING | | SCALE | 1:1 | | |