

**cell chemistry:** Li-Ion  
**cell size:** 9V E-Block  
**cell type:** pouch pack (lithium polymer)

**Conditions**

**nominal output voltage:** 9.0 V

**capacity**

nominal: 400 mAh discharge at 0.2C  
 minimum: 340 mAh discharge at 0.2C  
 300 mAh discharge at 0.5C  
 ta: 20°C; EV(Discharge End Voltage): 0.9V

**discharge**

max. continuous discharge current: 400 mA  
 nom. discharge current: 80 mA  
 ta: 0...45°C

**charge via type-C connector (with USB charger)**

supply voltage: 5 V ± 0.25V  
 charge current: 450 mA ± 10%  
 charge time: 2.5 h ± 0.25h

**external charge (at battery + / - poles)** is not allowed; charge battery via type-C connector only

internal resistance: n/a at 1kHz, sine wave measurement according to IEC 896-2

**output protection function:** short-circuit cut-off

cut-off current: 2 A ± 0.5A

**deep discharge protection function**

cut-off voltage of int. battery: 2.6 V ± 0.3V

**LED charge indicator** n/a

**built-in li-ion battery:** 3.7 V / 1000mAh  
 energy: 3.7 Wh

**life time expectance**

(C>70% of min. capacity) ≥ 1200 cycles at 0.2C charge / 0.2C discharge rate

**self discharge:**

≤ 2 %/month at 20°C  
 ≤ 5 %/month at 30°C  
 ≤ 10 %/month at 40°C

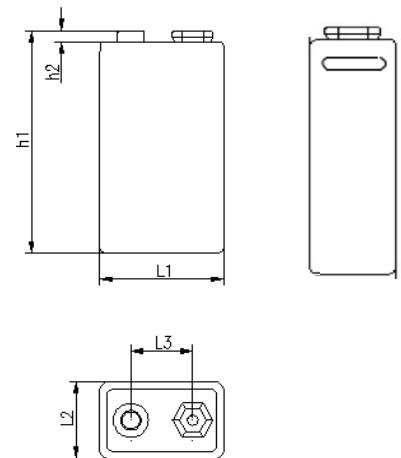
**ambient temperature range:**


0...45 °C charge  
 - 20...60 °C discharge  
 - 20...25 °C storage max. 1year  
 - 20...45 °C storage max. 3months

recommended SOC: 30...50 % for long-time storage  
 (SOC = state of charge)

**mechanical specifications**

cell dimensions (incl. label)  
 Length L1: 26.5 - 2.0 mm  
 Length L2: 17.5 - 2.0 mm  
 Length L3: 12.7 ± 0.25 mm  
 height h1: 48.5 - 1.0 mm  
 weight: 45 ± 4 g



	<b>ANSMANN Specifications for model:</b>	<b>9V-E-Block Li-Ion Battery 9V 400mAh w. type-C charge</b>
	data sheet no. / part no.	1315-0005
	s.n.	705163
	author / date	TG / 03.11.2022