

**Application 應用**

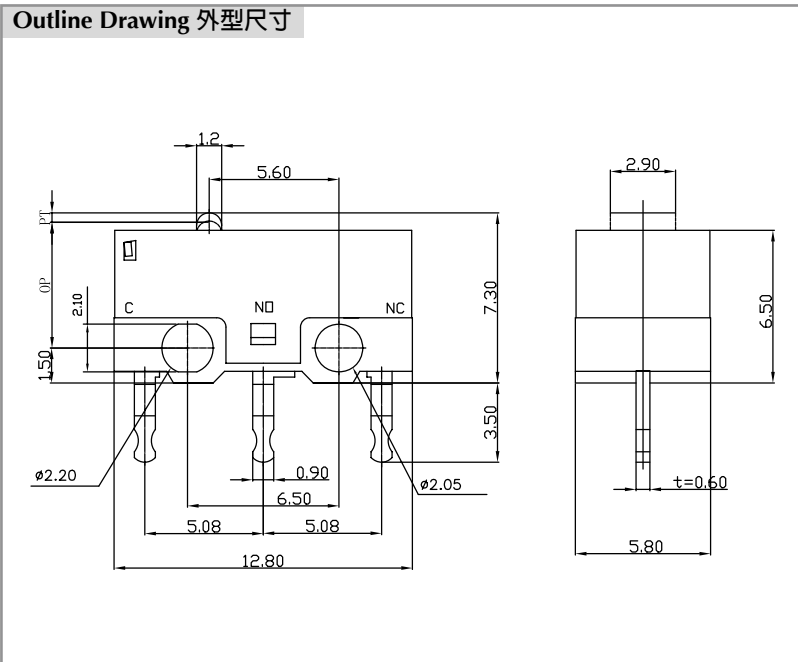
- Minitypebig current. Characteristic: small contact gap, quick action, high sensitivity and small operating travel.  
超小型，大電流。具有微小觸點間隙，快速動作，高靈敏度和為小動作行程的特點。
- Veriety of contact terminals.  
接線端子種類齊全。
- Widely used in appliance, electronic equipment, automatic machine, communication equipment, car electric, apparatus and instrument, electron motion tool etc.  
廣泛應用於各種家用電器、電子設備、自動化設備、通訊設備、汽車電子、儀器儀表、電動工具等領域。

**Specifications 技術特性**

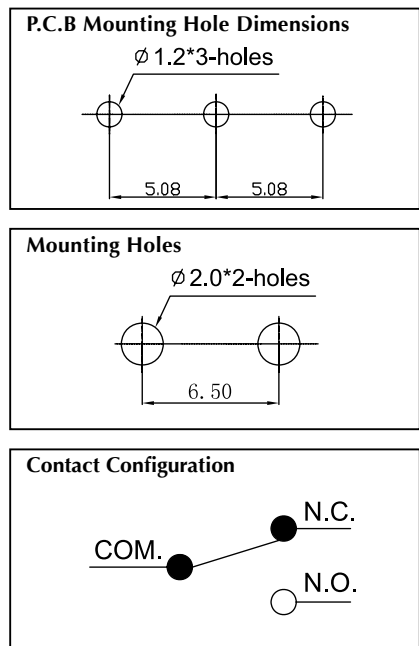
Items 項目		Value 特性值
Operating Speed 工作速度		1mm~500m/s (Related with actuator forms) (與驅動方式有關)
Operating Frequency 工作頻率		Mechanical 120 cycles/min ; Electrical 10 cycles/min / 機械120次/min ; 電氣10次/min
Insulation Resistance 絕緣電阻		≥ 100MΩ (500VDC)
Contact Resistance 接觸電阻		≤ 500mΩ (Intial value) / (初始值)
Test voltage 耐電壓	Between terminals of the same polarity 同級不相接端子間	AC1300V, 50/60Hz, 1min
	Between current-carrying metal parts and ground(case), and between each terminal and non-current-carrying metal parts. 帶電金屬零件與地(外殼)之間、接線端與不帶電金屬件之間	AC1500V, 50/60Hz, 1min
Vibration Resistance 抗振動		10~55Hz, 1.5mm Double amplitude / 雙振幅
Shock Resistance 抗沖擊		Malfunction : 300m/s <sup>2</sup> (approx. 30G) max / 故障 : 300m/s <sup>2</sup> (約30G) 最大
Life Expectancy 壽命		Mechanical ≥ 300,000 cycles / 機械 ≥ 300,000次 Electrical ≥ 10,000 cycles / 電氣 ≥ 10,000次 Electrical ≤ 10,000 cycles / 電氣 ≤ 10,000次

**Dimension 尺寸**

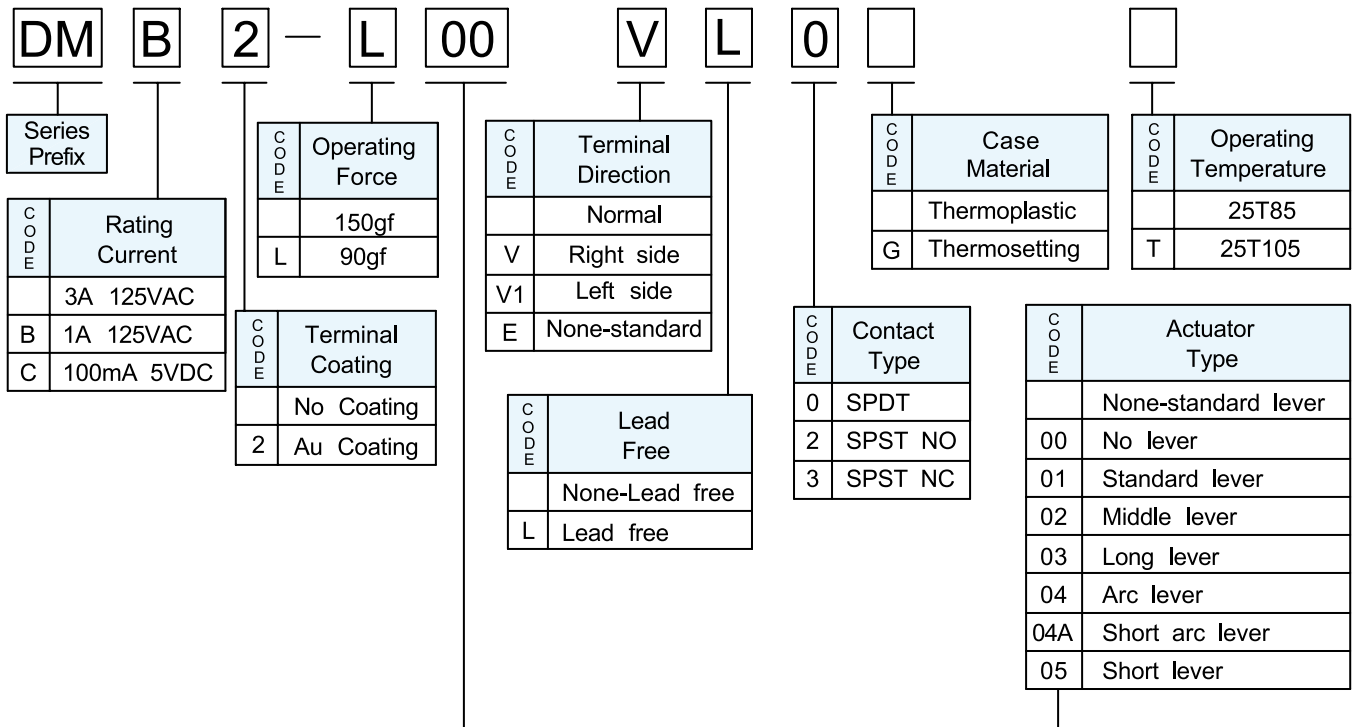
**Outline Drawing 外型尺寸**



**Mounting Hole Dimension 安裝孔尺寸**

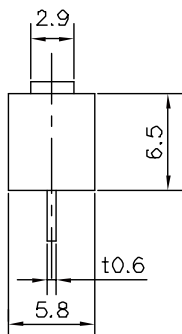


## How to Order 型號命名規範

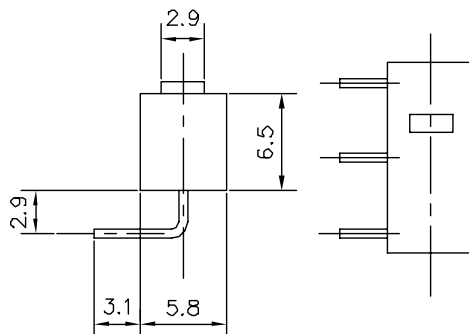


## Terminal Type 端腳尺寸圖

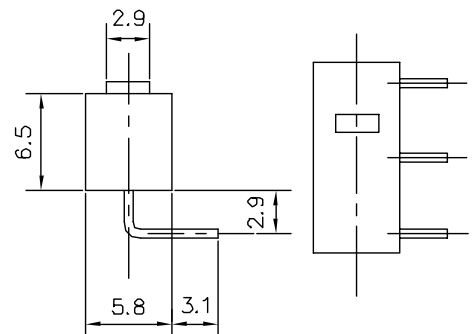
Under side PCB terminal




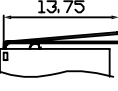
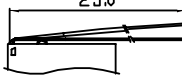
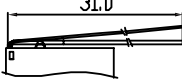
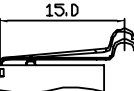
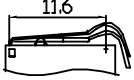
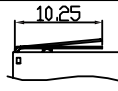
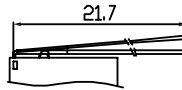
Left side PCB terminal



Right side PCB terminal

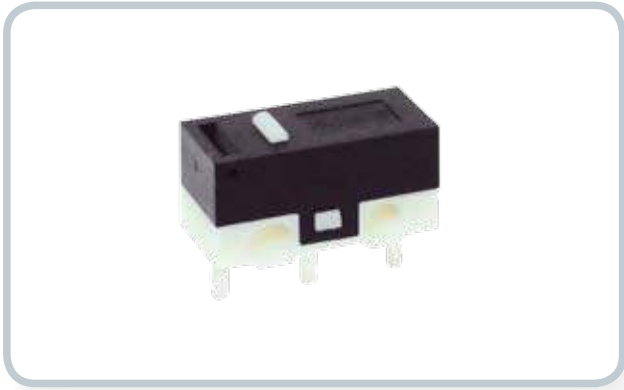


## Operating Characteristics 動作特性

NO.	Actuator Type	O.P. (mm)	P.T. Max (mm)	O.T. Min (mm)	M.D. Max (mm)	O.F.			
						DM(B)	DM(B)L	DM(B)	DM(B)L
						Max.(gf.)		Min.(gf.)	
00		5.5±0.3	0.6	0.3	0.2	150	90	30	20
01		6.8±0.1	1.8	0.55	0.5	55	30	10	5
02		8.2±2.3	4.8	0.6	1.0	30	15	5	5
03		8.3±2.5	6.0	0.6	1.5	25	10	5	5
04		10±0.5	1.8	0.5	0.55	50	30	5	5
04A		7.5±0.5	1.8	0.5	0.55	55	30	10	5
05		7.0±0.6	1.2	0.5	0.5	60	40	10	10
09		7.6±1.8	3.5	0.5	1.0	50	20	5	5

## Certificate Information 安規資訊

Certification 安規項目	Item 機種	Standard
UL & CUL	DM, DMB	3A 125VAC, 1A 125VAC, 6000 cycles, T105°C
ENEC	DM, DMB	3A 125VAC, 1A 125VAC, 10000 cycles, T105°C
CCC	DM, DMB	3A 125/250VAC, 1A 125/250VAC, 6050 cycles, T105°C



**Application 應用**

- Minitypebig current. Characteristic: small contact gap, quick action, high sensitivity and small operating travel.  
超小型，大電流。具有微小觸點間隙，快速動作，高靈敏度和為小動作行程的特點。
- Long life (one/three/five million cycles), high reliability.  
長壽命(一百萬、三百萬、伍佰萬)，高可靠性。
- Widely used in all kind mouse.  
廣泛應用於各種滑鼠上。

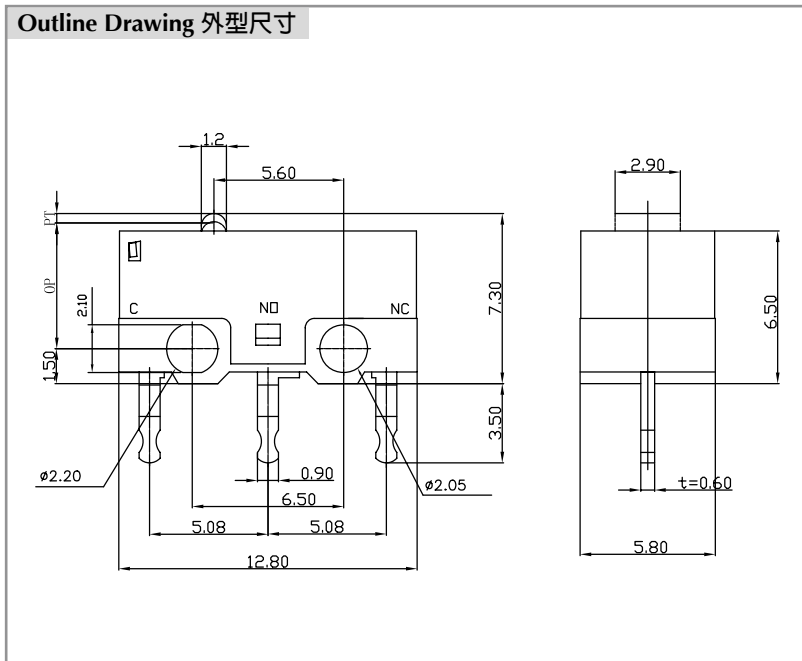
**How to Order 型號命名規範**

<b>DM</b>	<b>C</b>	<b>2</b>	<b>L</b>	<b>00</b>	<b>V</b>	<b>L</b>	<b>0</b>		
-----------	----------	----------	----------	-----------	----------	----------	----------	--	--

Series Prefix		Operating Force		Terminal Direction		Case Material		Operating Temperature	
DM	C	150gf	L	90gf	Normal	Thermoplastic	25T85		
Rating Current		Terminal Coating		Lead Free		Contact Type		Actuator Type	
3A 125VAC	No Coating	None-Lead free	0 SPDT	None-standard lever	B 1A 125VAC	Au Coating	2 SPST NO	00 No lever	01 Standard lever
100mA 5VDC	2 Au Coating	L Lead free	3 SPST NC	02 Middle lever	C 100mA 5VDC			03 Long lever	04 Arc lever
				04A Short arc lever				05 Short lever	

**Dimension 尺寸**

**Outline Drawing 外型尺寸**



**Mounting Hole Dimension 安裝孔尺寸**

