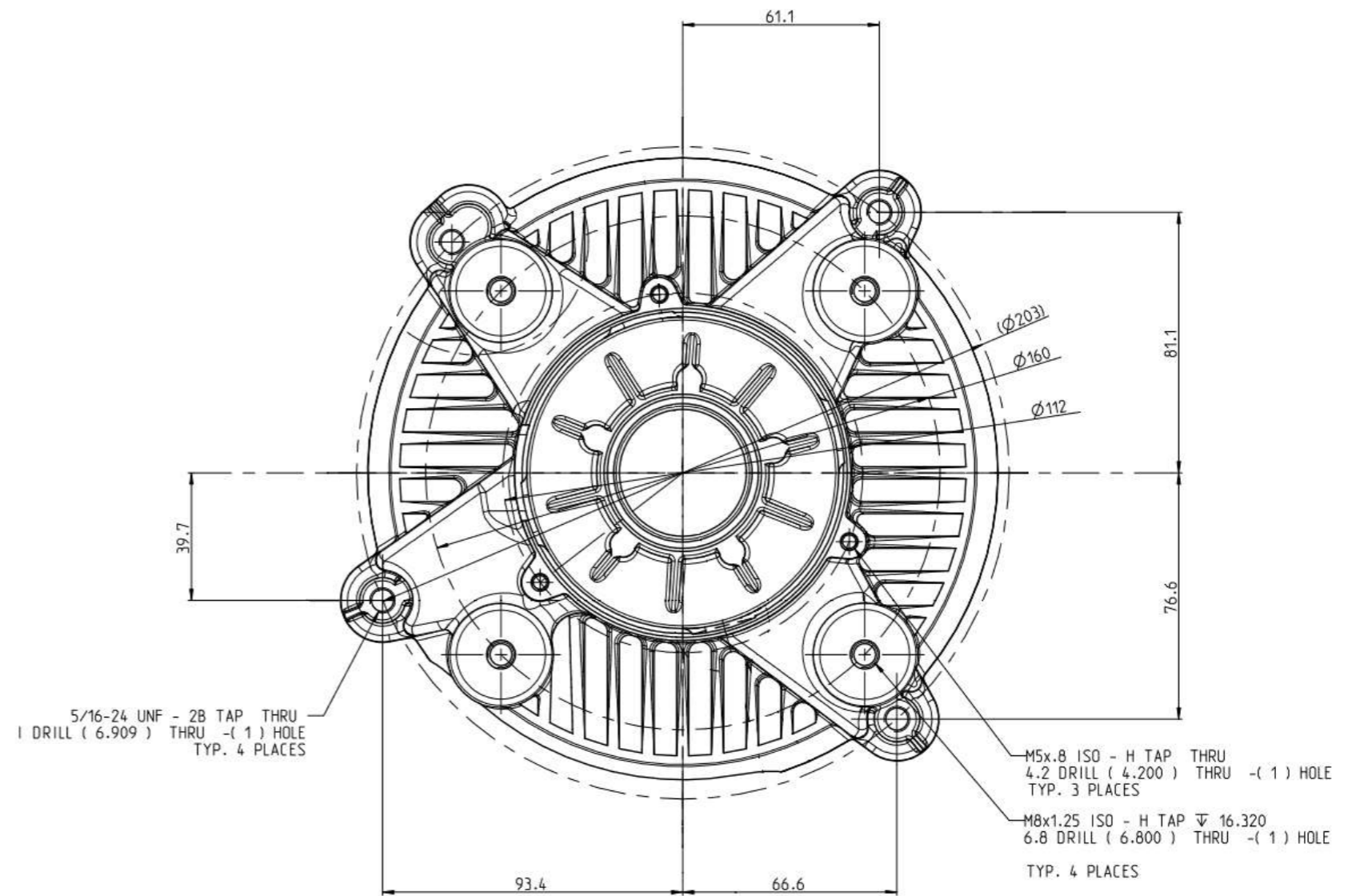
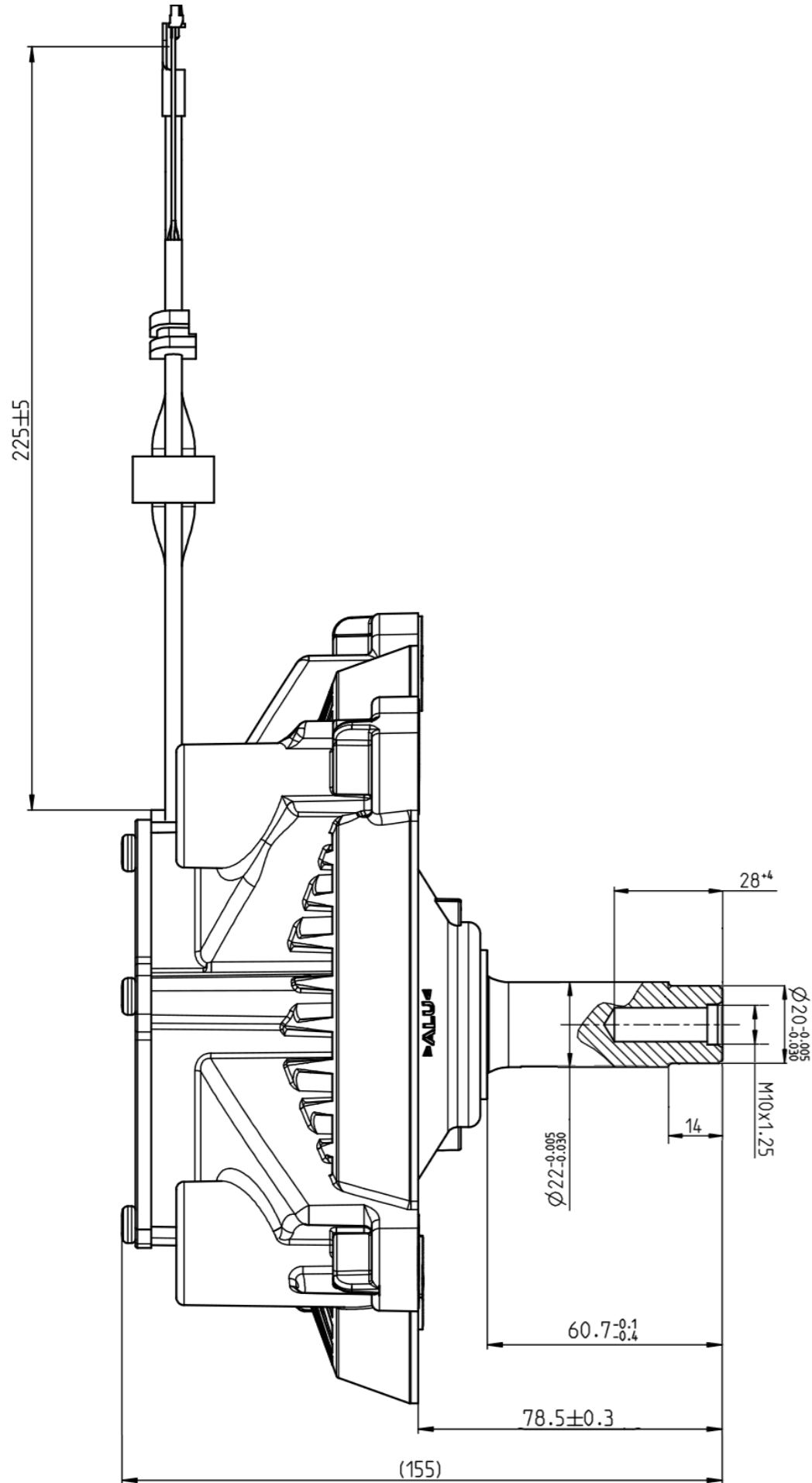


# 36V 1kW BLDC Motor Specification

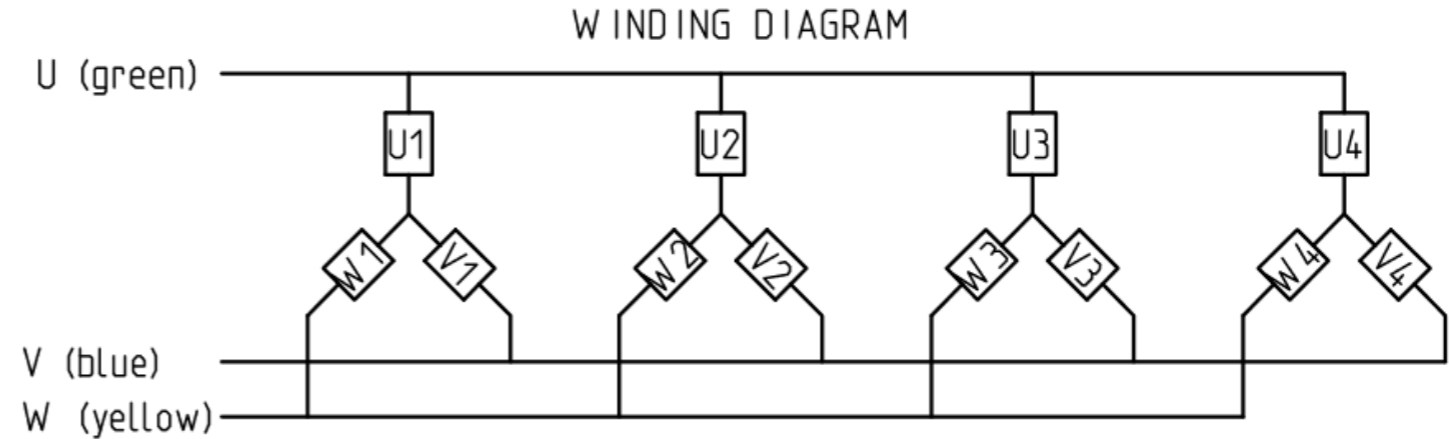
## MOTOR ASSEMBLY



# 36V 1kW BLDC Motor Specification

## MOTOR SPECIFICATION

NOMINAL VOLTAGE	V	36	
SINGLE RESISTANCE MEASUREMENT (MEASURED INCLUDING LEAD WIRES AND CONNECTOR)	RESISTANCE U-V	$m\Omega$	$65 \pm 10\%$
	RESISTANCE U-W	$m\Omega$	$65 \pm 10\%$
	RESISTANCE V-W	$m\Omega$	$65 \pm 10\%$
FUNCTIONAL TESTING NO LOAD MEASUREMENT	TESTING VOLTAGE	V	36
	NO LOAD CURRENT	A	MAX. 3.0
	NO LOAD SPEED	rpm	$4450 \pm 10\%$
HIGH SPEED TEST MIN. 30SEC.	NO LOAD SPEED AT TEST	rpm	9000
FUNCTIONAL TESTING ON-LOAD MEASUREMENT BOSCH REFERENCE CONTROLLER: 1.600.A00.F22	TESTING VOLTAGE	V	$36 \pm 0.2$
	LOAD TORQUE	mNm	$2600 \pm 2\%$
	DIRECTION OF ROTATING (VIEW FROM MOTOR SHAFT)		CCW
	LOAD SPEED	rpm	$3650 \pm 15\%$
	LOAD CURRENT	A	$35 \pm 15\%$



WINDING SPECIFICATIONS	
NOMINAL VOLTAGE	36V
PHASE CONNECTION TYPE	Y
NO. OF COILS PER PHASE (U/V/W)	4 IN PARALLEL
RESISTANCE PHASE-PHASE (AT RT) INCL. FULL WIRE HARNESS	$63 m\Omega$
HIGHT-POTENTIAL TESTING (600 V. 1 Sec.. U-V-W)	< 5mA
NOMINAL STATOR STACK LENGTH [mm]	20.5