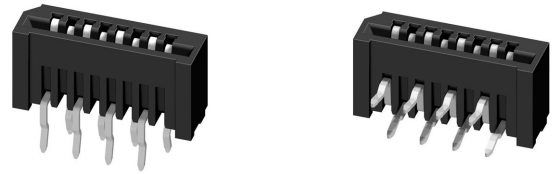
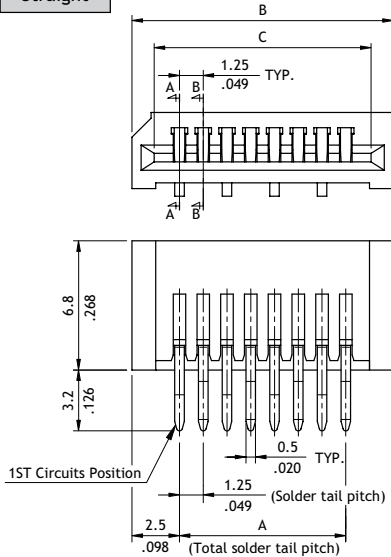


CF12 Series 1.25mm(.049")H=4.00/6.80 DIP LIF FFC/FPC Connectors

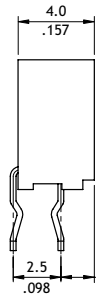
- Tin plated contacts with kinked tail
- Insulator: High temperature plastic UL 94V-0, Color Black



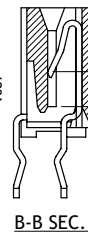
Straight



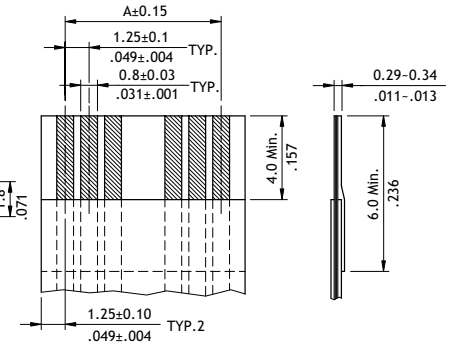
A = 1.25 x No. of Spaces
 B = A + 5.0
 C = A + 2.66



A-A SEC.

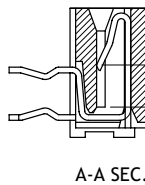
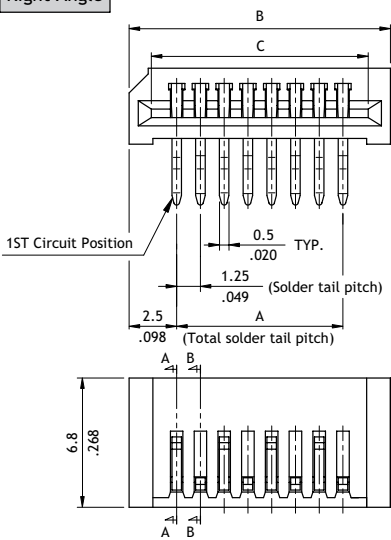


B-B SEC.

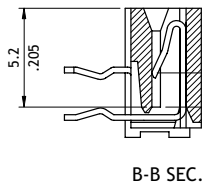


Accommodated FFC

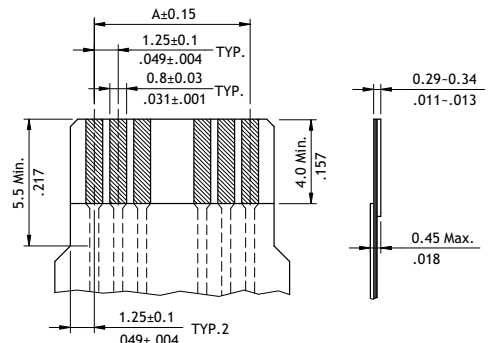
Right Angle



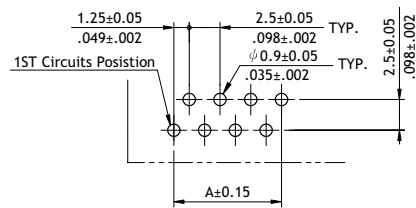
A-A SEC.



B-B SEC.



Accommodated FFC



Recommended P.C. Board Layout

Ordering Code

① CF **②** 12 **③** 1 **④** V0 **⑤** T **⑥** 0 - **⑦** LF

- ①** Series No.
- ②** No. of Circuits: 03 to 36
- ③** Plating Code:
1 = Matte Tin over Nickel
- ④** Entry Options:
V0 = Straight
H0 = Right Angle
- ⑤** Packing:
T = Tube
- ⑥** Other Options:
0 = Standard
*Special options consult manufacturer
- ⑦** -LF = For Lead Free soldering process