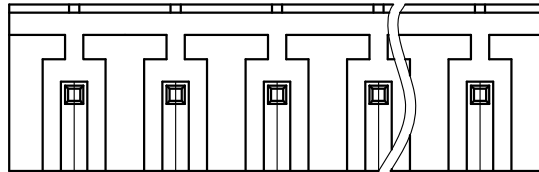


REVISION RECORD				
REV	ECN	DESCRIPTION	DRFT	DATE



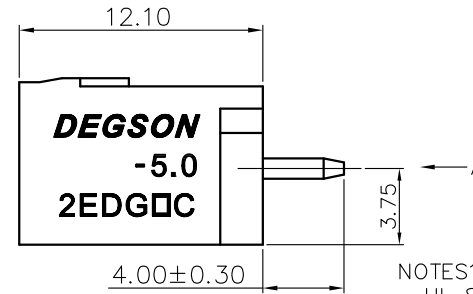
VIEW A

2EDGVC - 5.0/5.08 - XXP - 1Y - 00A (H)

(Series No.) (Pitch) (Poles)(Single Pitch) (Color)

(RoHS)
00A- (Standard)

- (Grey)
- (Blue)
- (Black)
- (Green)
- (Orange)
- (Red)
- (Transparent)
- (Yellow)
- (White)



NOTES1:

- UL Standard
- 1. Rated voltage/current : 300V / 15A
- 2. Withstanding voltage : AC1600V/1Min.

IEC Standard

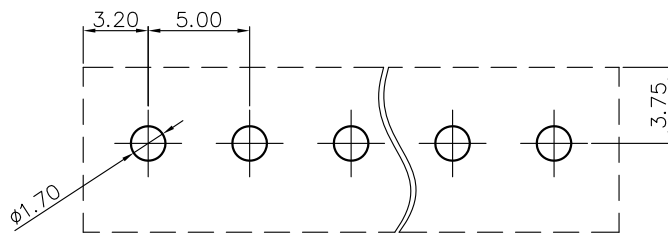
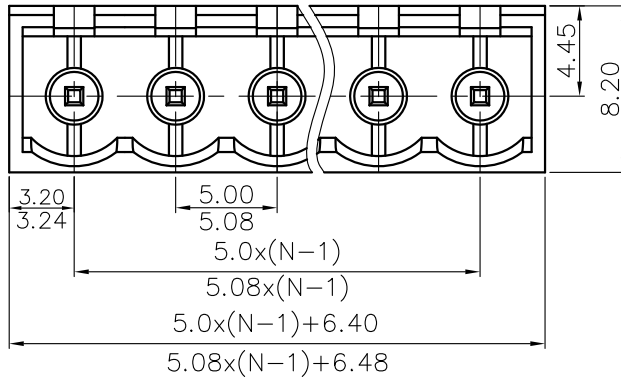
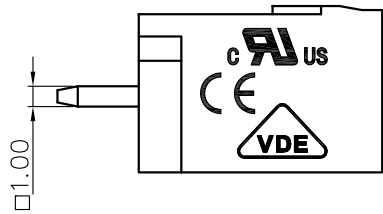
Pollution degree	2
Overvoltage category	III
Rate impulse voltage(KV)	4.0KV
Rate voltage(V)	320V
Rate current(A)	20A

NOTES2:

- Dimension shall be interpreted per ASME Y14.5-2009
- Pitch : 5.0/5.08mm, Poles : N=02~24P
- Operating temperature: -40°C~+105°C
- Undimensioned tolerances:

Pitch range in mm		Nominal dimension range in mm						∓	∩	∅
To	Over	Over	Over	Over	Over	Over	0.1/10			
6	10	10	30	60	100	150				
6	10	10	30	60	100	150				
±0.15	±0.20	±0.30	±0.30	±0.50	±0.70	±1.00	±1.30	±2'		

5. RoHS Compliance



PCB LAYOUT

DETACHED LISTS	PART NO.:	/			
	APPD:	/			
	CHKD:	/			
	DRFT:	/			
	<p>THIRD ANGLE PROJECTION</p>		<p>DO NOT SCALE DRAWING</p>		
NAME: 2EDGVC-5.0/5.08-XXP-1Y-00A(H)		TITLE: CUSTOMER DRAWING	REV	DO	
DRAWING NO.:		/	SHEET	1/1	
MM (INCH)		SCALE	1:1		