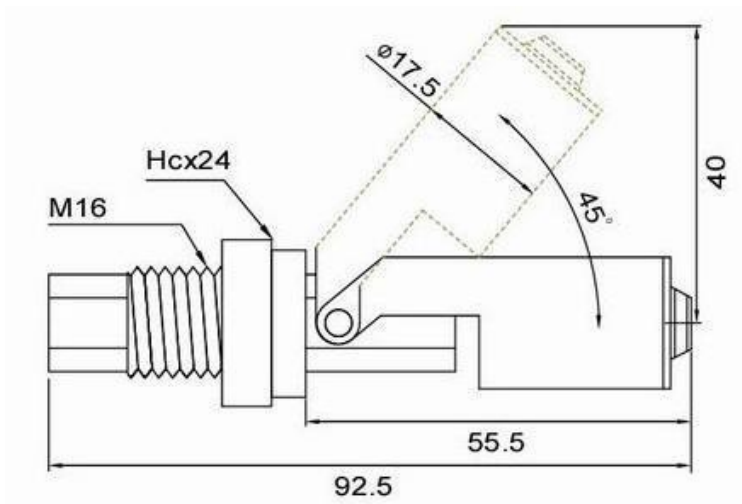


Specifications-----

- * Idea for water
- * Material of body & screw net: PP + GF
- * Material of float & E-ring: PP
- * Temperature: -40°C~60°C
- * Leads #24AWG, 350mm length
- * Output: Normally open with 10W



Dimensions(mm)-----



Electronic Data-----

Order Type	PNS-55
Switching Power(max)	10W
Switching Voltage(max)	DC100V/AC80V
Breakdown Voltage(min)	200V
Switching Current(max)	0.5A
Carrying Current(max)	DC1.0A
Initial Resistance(max)	0.2Ω
Insulation Resistance (min)	10 ⁹ Ω
Operating Temperature	-40~60°C